

US00D534017S

(12) **United States Design Patent**
Cuzzocrea

(10) **Patent No.:** **US D534,017 S**

(45) **Date of Patent:** **** Dec. 26, 2006**

(54) **RETAIL DISPLAY CART**

D321,100 S * 10/1991 Dorrell D6/468

(76) Inventor: **Lawrence A. Cuzzocrea**, 3502 E.
Vineyard Rd., Phoenix, AZ (US) 85042

* cited by examiner

Primary Examiner—Cathron C. Brooks
(74) *Attorney, Agent, or Firm*—Stoneman Law Offices,
Ltd.; Martin L. Stoneman

(**) Term: **14 Years**

(21) Appl. No.: **29/235,754**

(57) **CLAIM**

(22) Filed: **Aug. 4, 2005**

The ornamental design for a “retail display cart”, as shown
and described.

(51) **LOC (8) Cl.** **06-04**

(52) **U.S. Cl.** **D6/474**

(58) **Field of Classification Search** D6/436,
D6/441, 473–479; D34/17, 19, 21; 108/93;
211/186, 188

See application file for complete search history.

DESCRIPTION

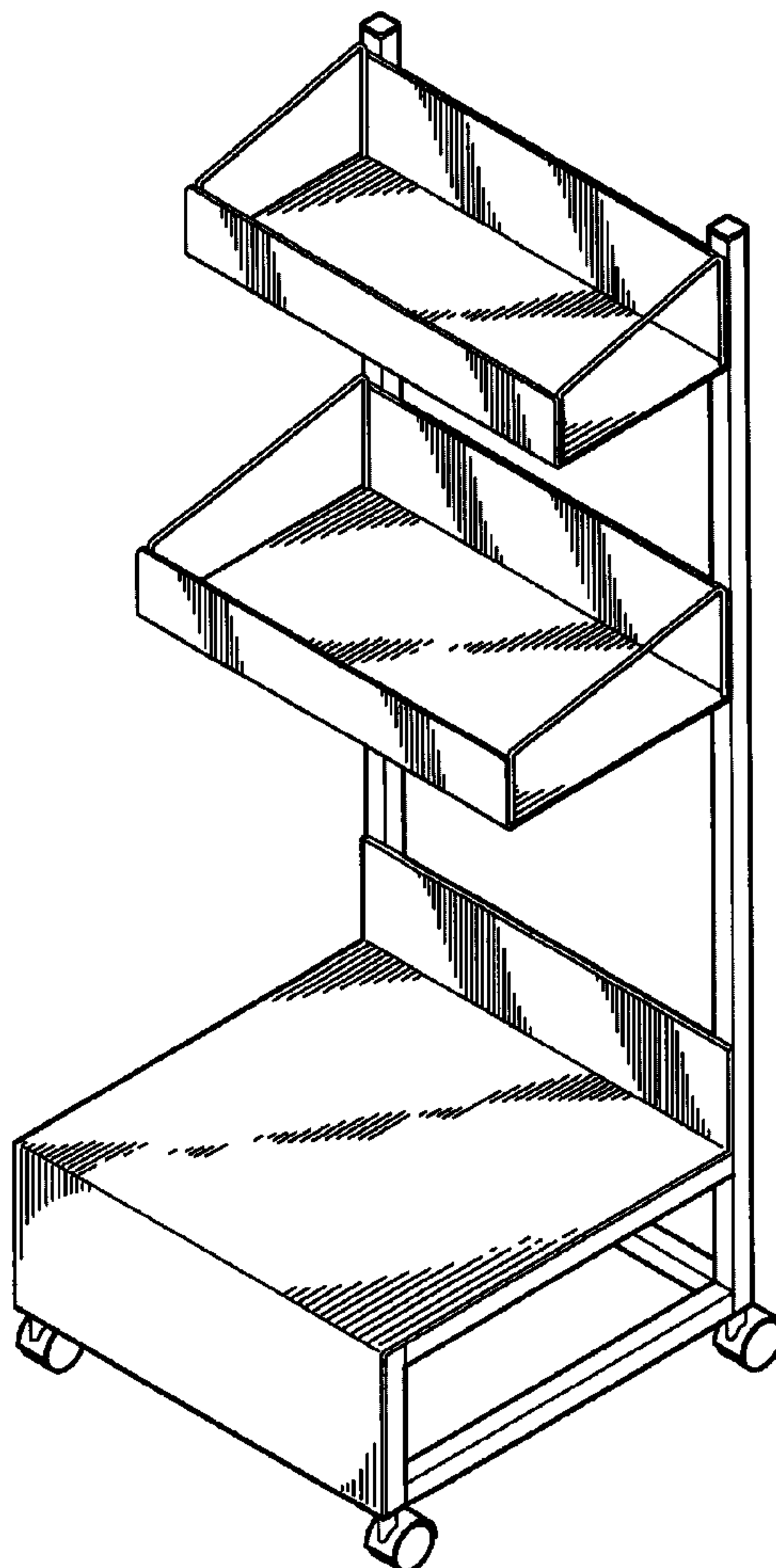
FIG. 1 is a perspective view of a “retail display cart”,
showing my new design;
FIG. 2 is a front elevational view thereof;
FIG. 3 is a left side elevational view thereof (and also a
mirror image of the right side);
FIG. 4 is a rear elevational view thereof;
FIG. 5 is a top plan view thereof; and,
FIG. 6 is a bottom plan view thereof.
The broken line showing of the environment is for illustra-
tive purposes only and forms no part of the claimed design.

(56) **References Cited**

U.S. PATENT DOCUMENTS

2,192,102	A	*	2/1940	Pinto	211/133.3
D224,096	S	*	7/1972	Propst et al.	D34/17
D244,983	S	*	7/1977	Iida et al.	D6/462
D284,049	S	*	6/1986	Nathan et al.	D6/408
D296,143	S	*	6/1988	Bettess	D6/474

1 Claim, 5 Drawing Sheets



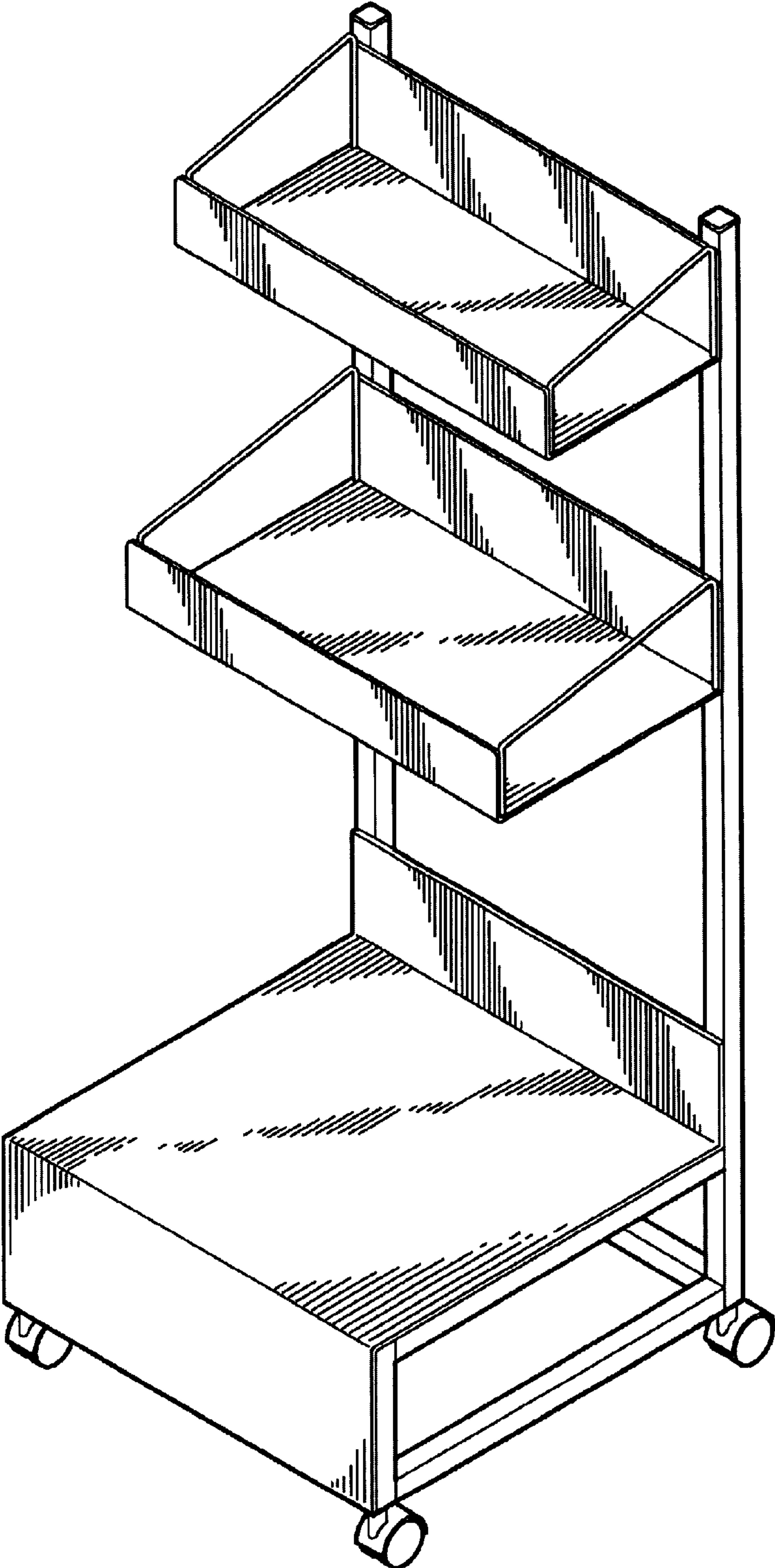


FIG. 1

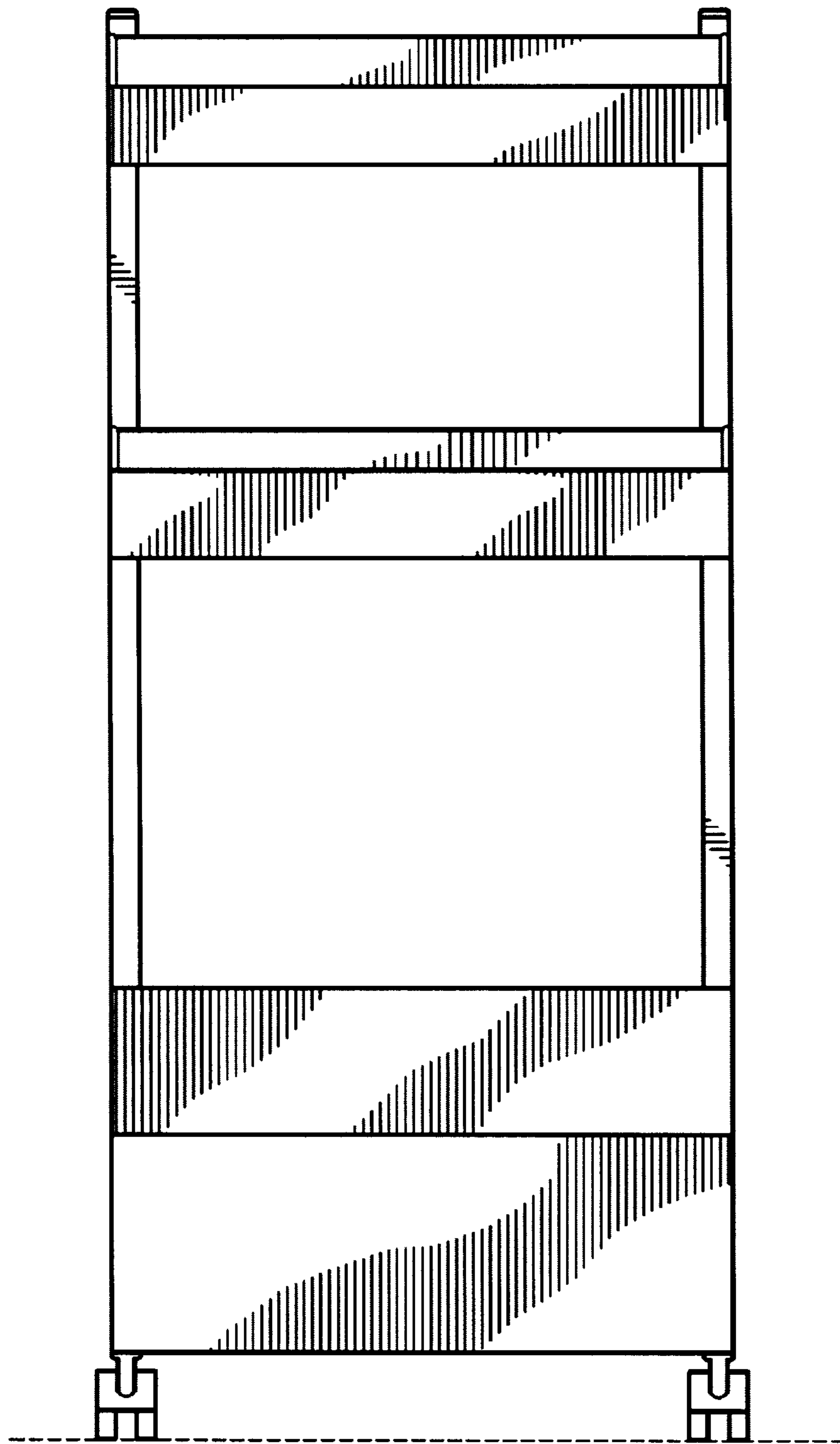


FIG. 2

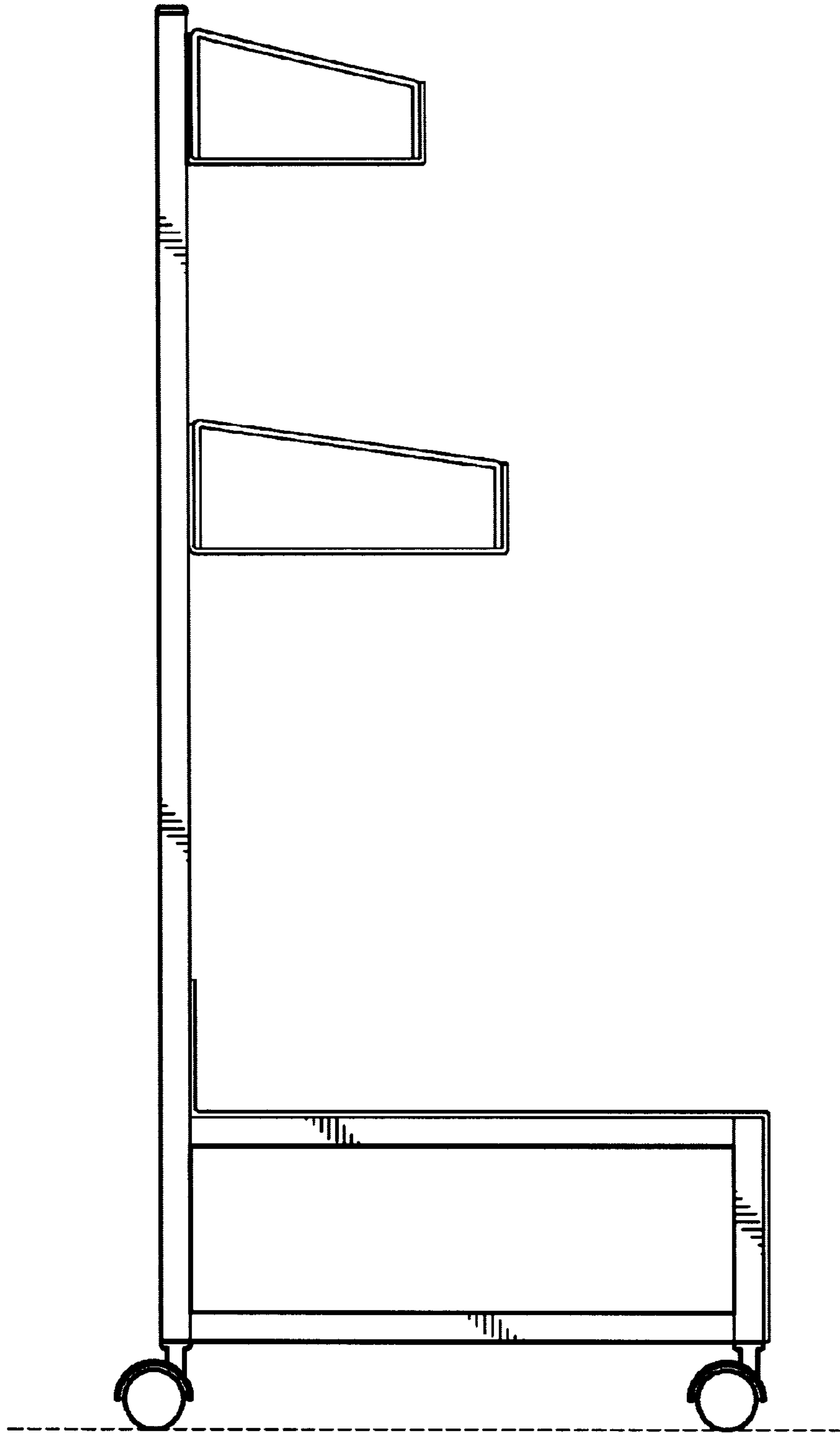


FIG. 3

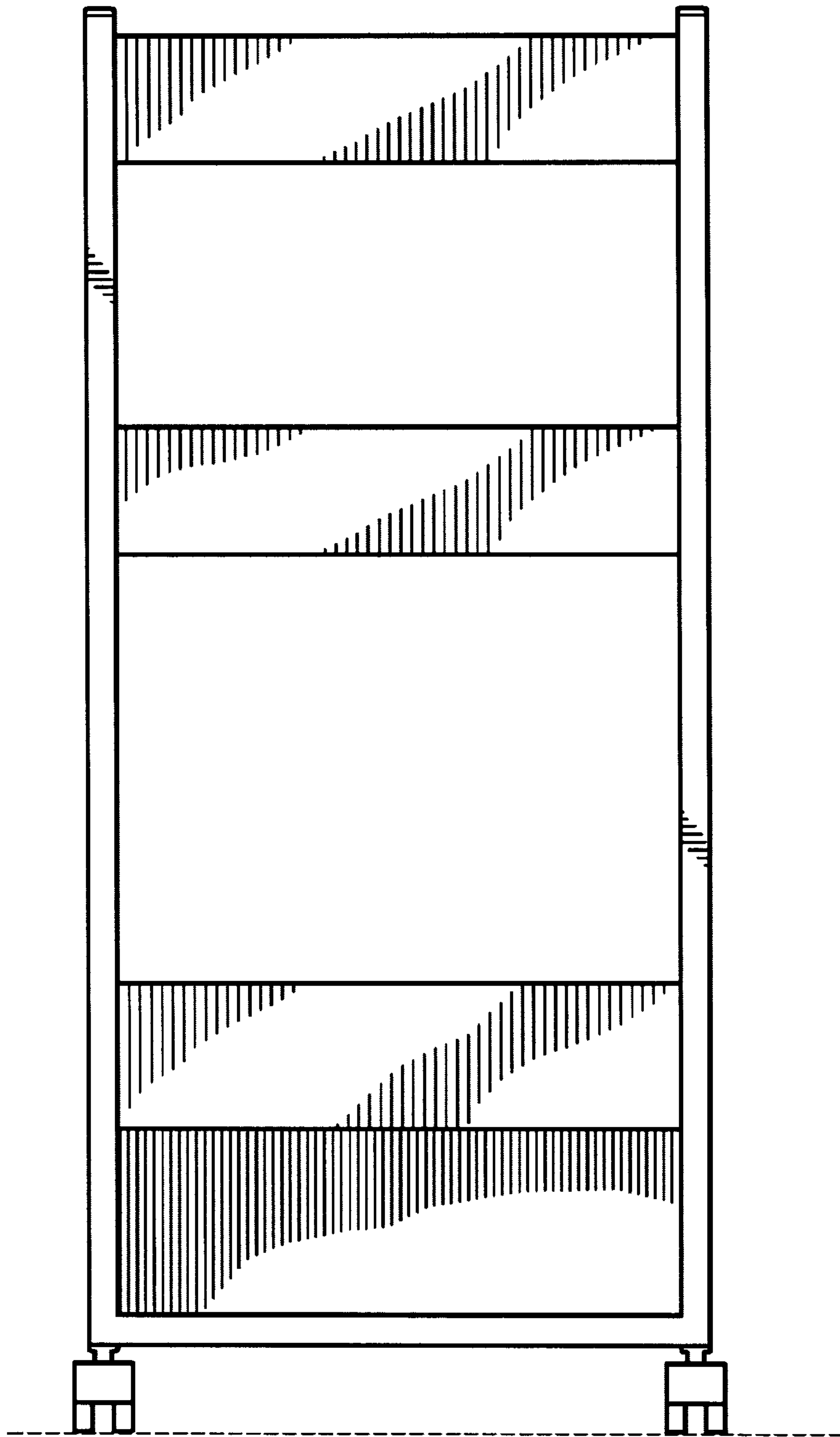


FIG. 4

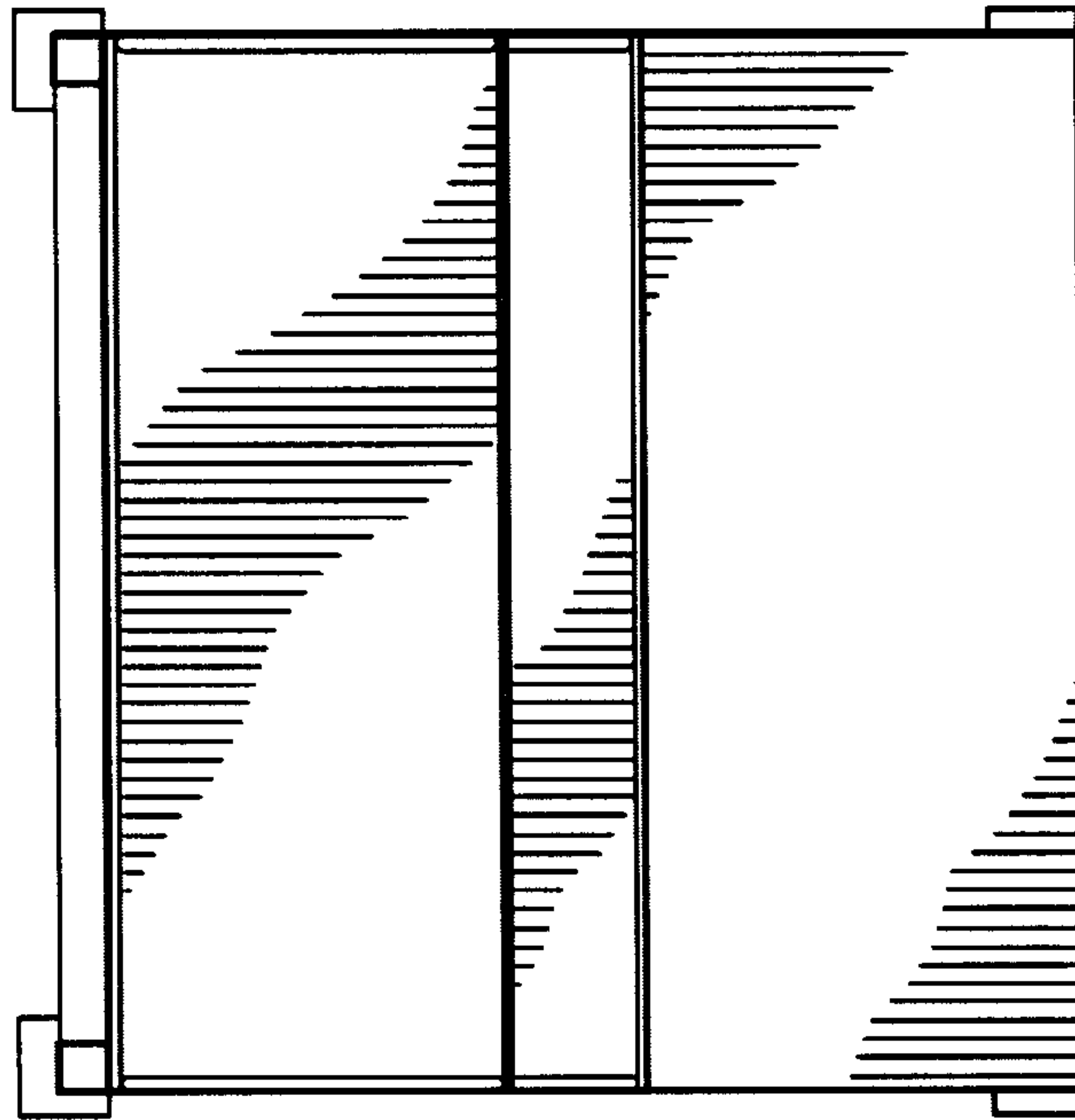


FIG. 5

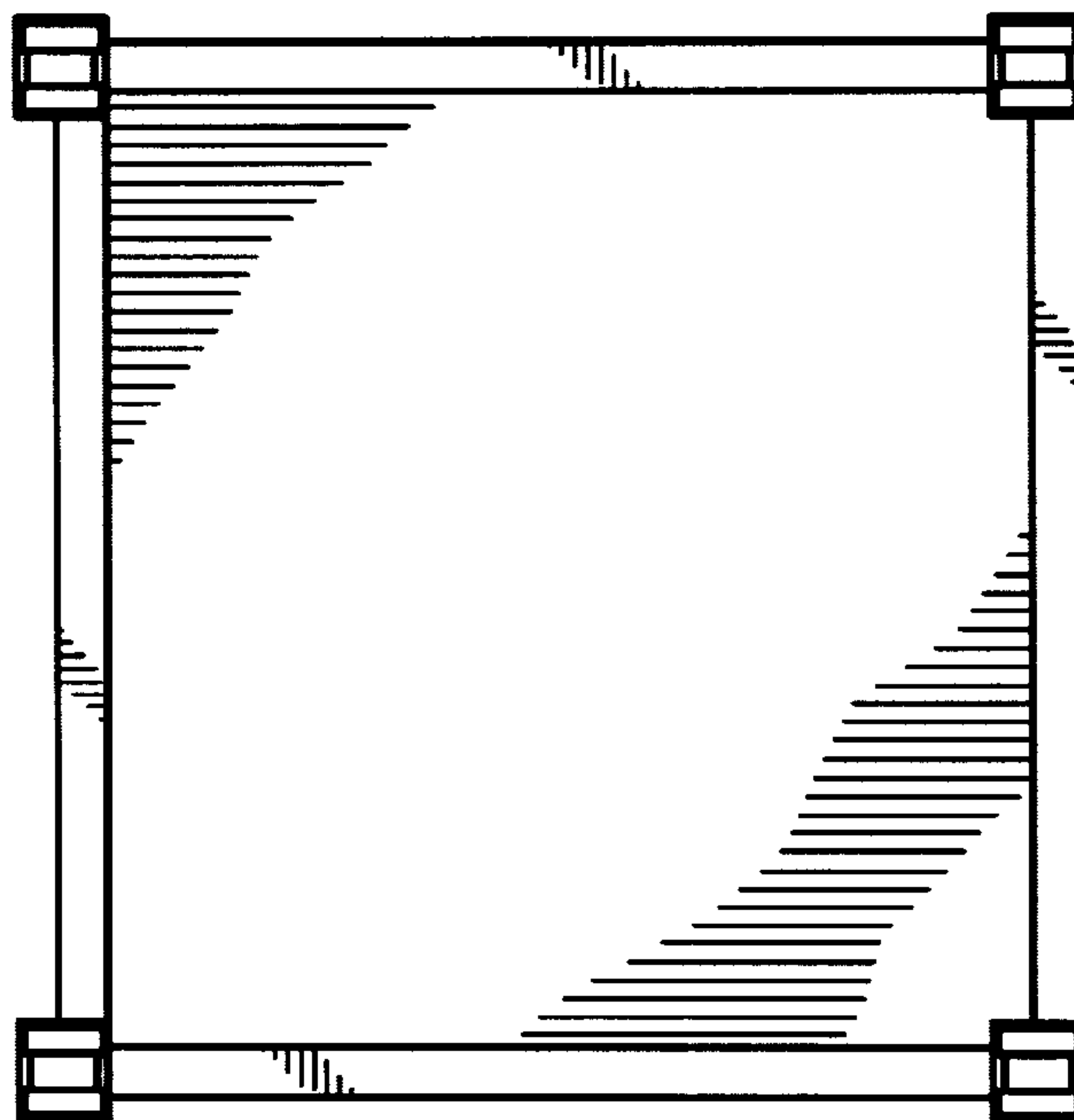


FIG. 6