



US00D534009S

(12) **United States Design Patent**
Juneau

(10) **Patent No.:** **US D534,009 S**

(45) **Date of Patent:** **** Dec. 26, 2006**

(54) **FURNITURE**

(75) **Inventor:** **Alain Juneau**, St-Jean-Chrysostome
(CA)

(73) **Assignee:** **Baronet, Inc.** (CA)

(**) **Term:** **14 Years**

(21) **Appl. No.:** **29/227,348**

(22) **Filed:** **Apr. 8, 2005**

(51) **LOC (8) Cl.** **06-04**

(52) **U.S. Cl.** **D6/436**

(58) **Field of Classification Search** D6/436-439,
D6/445-446, 470; 312/194, 198, 114, 204,
312/224, 278, 279

See application file for complete search history.

(56) **References Cited**

U.S. PATENT DOCUMENTS

- D363,393 S * 10/1995 Berry et al. D6/439
- D364,051 S * 11/1995 Berry et al. D6/436
- D391,785 S * 3/1998 Zaidman et al. D6/445

- D446,049 S * 8/2001 Stout et al. D6/446
- D455,027 S * 4/2002 Hokanson D6/439
- D462,008 S * 8/2002 Stone et al. D9/436
- D480,893 S * 10/2003 Berry et al. D6/434

* cited by examiner

Primary Examiner—Cathron C. Brooks

(74) *Attorney, Agent, or Firm*—SAIDMAN DesignLaw Group

(57) **CLAIM**

The ornamental design for furniture, as shown and described.

DESCRIPTION

FIG. 1 is a perspective view of furniture showing my new design;

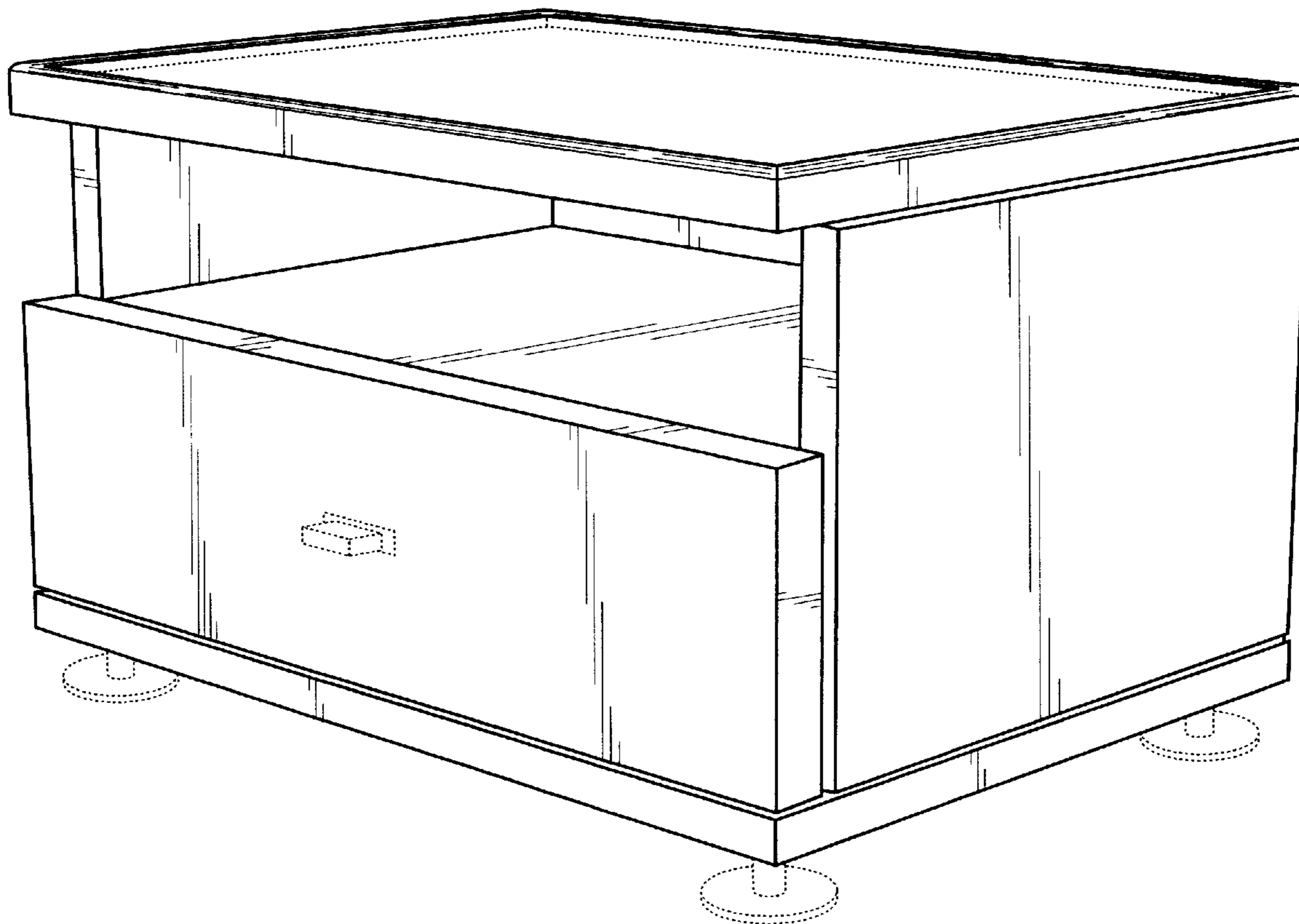
FIG. 2 is a top view thereof;

FIG. 3 is a front view thereof; and,

FIG. 4 is a right-side view thereof, the left-side view being a mirror image.

The broken line showing in the drawings is for illustrative purposes only and forms no part of the claimed design.

1 Claim, 4 Drawing Sheets



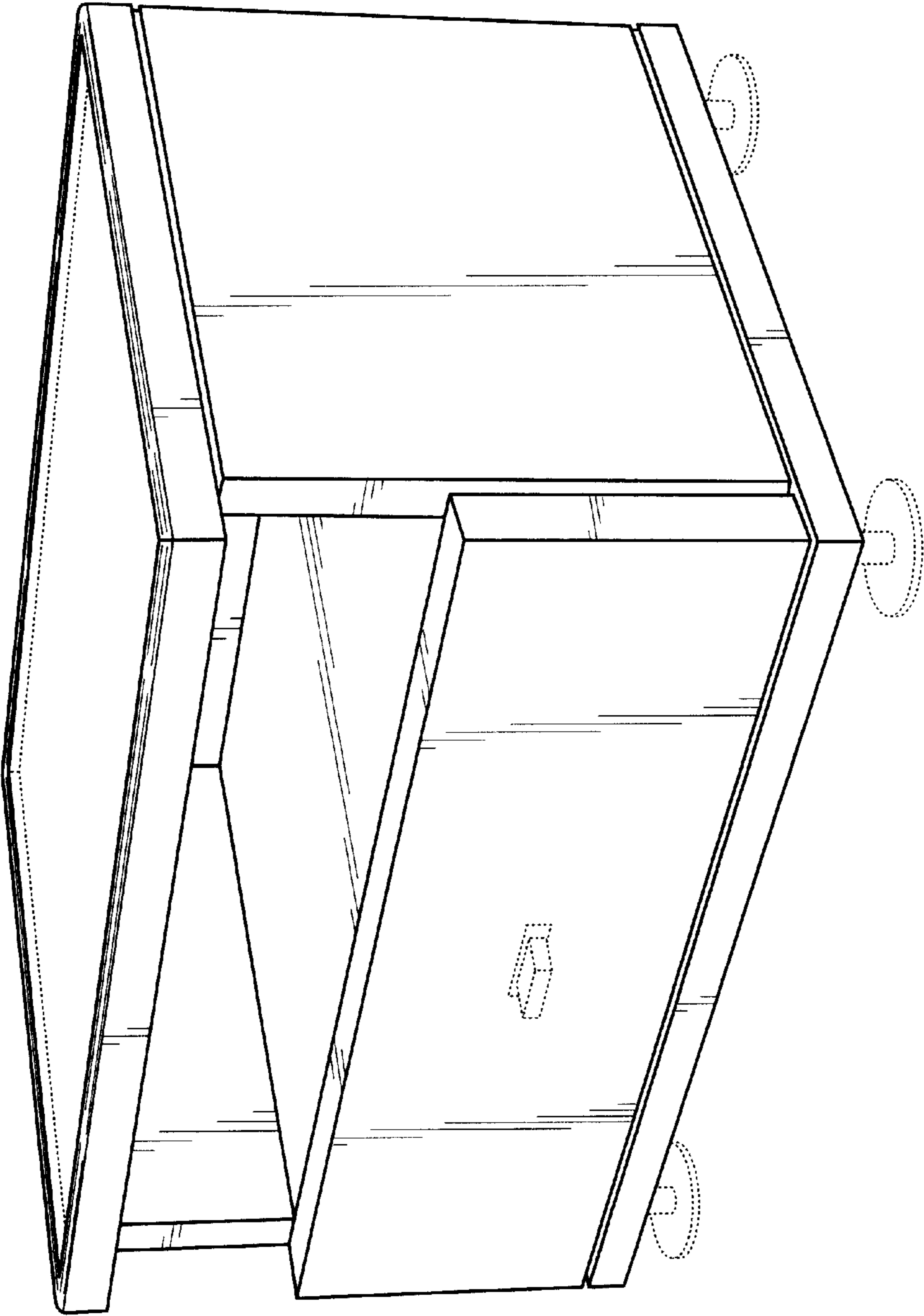


Fig. 1

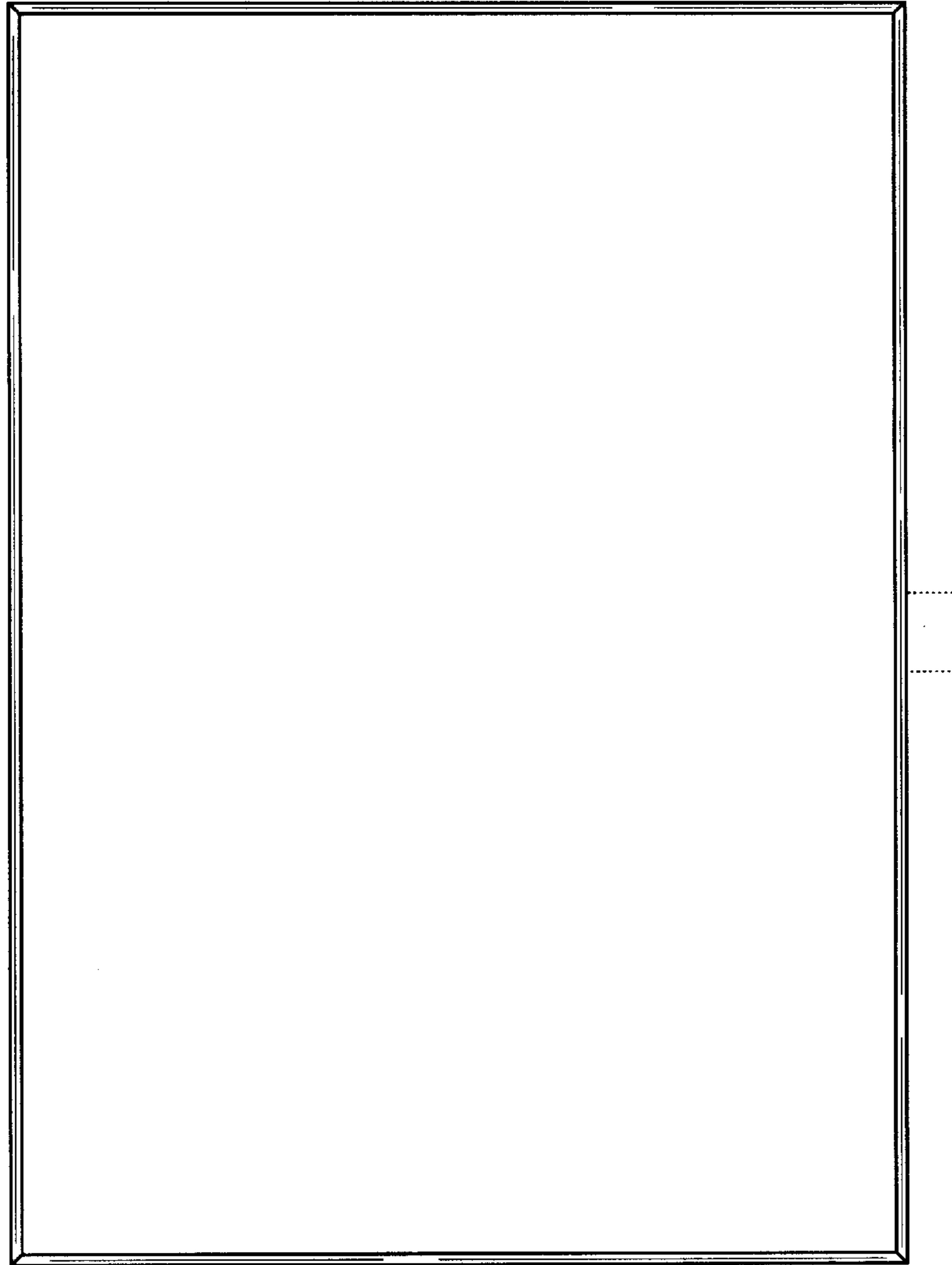


Fig. 2

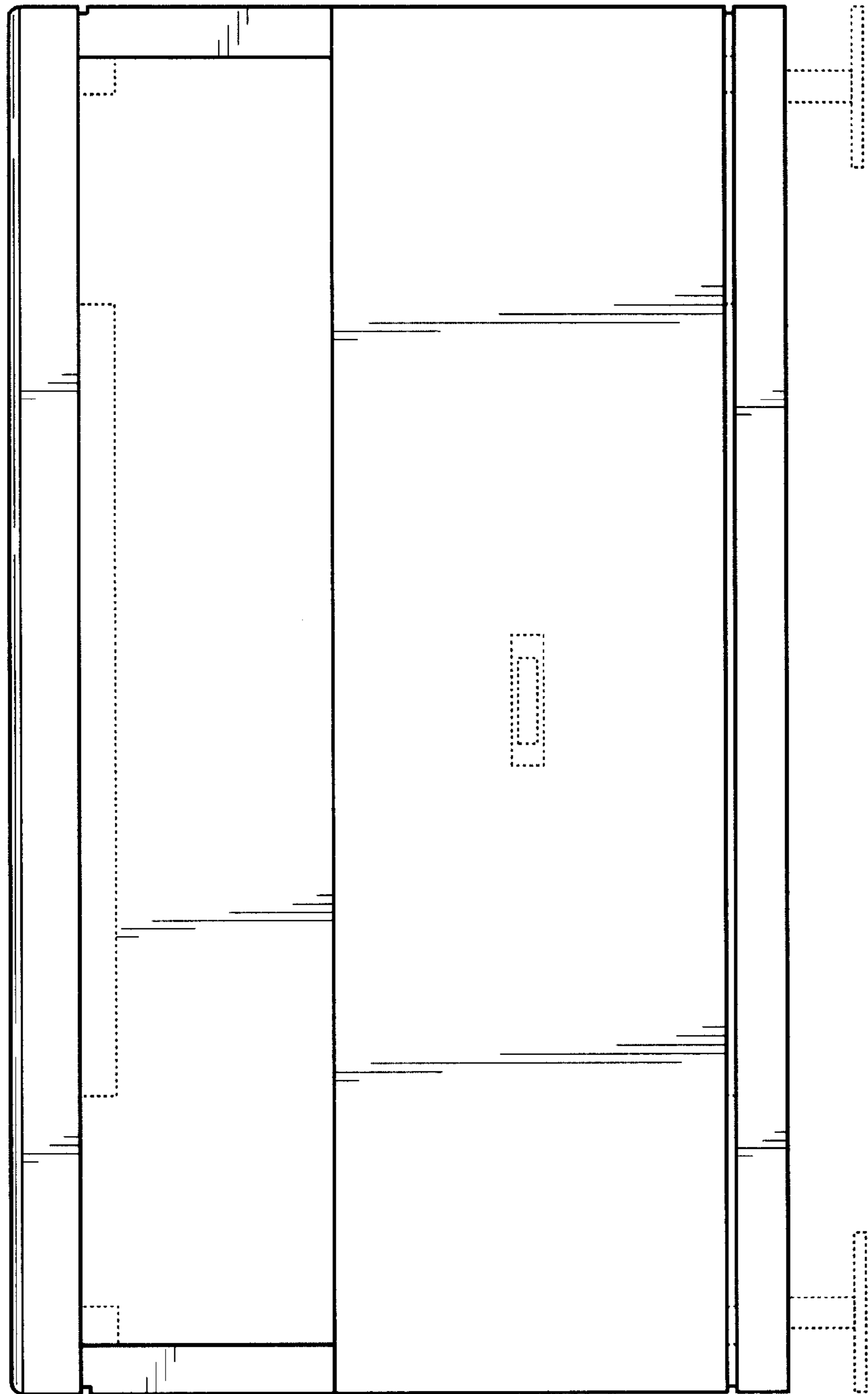


Fig. 3

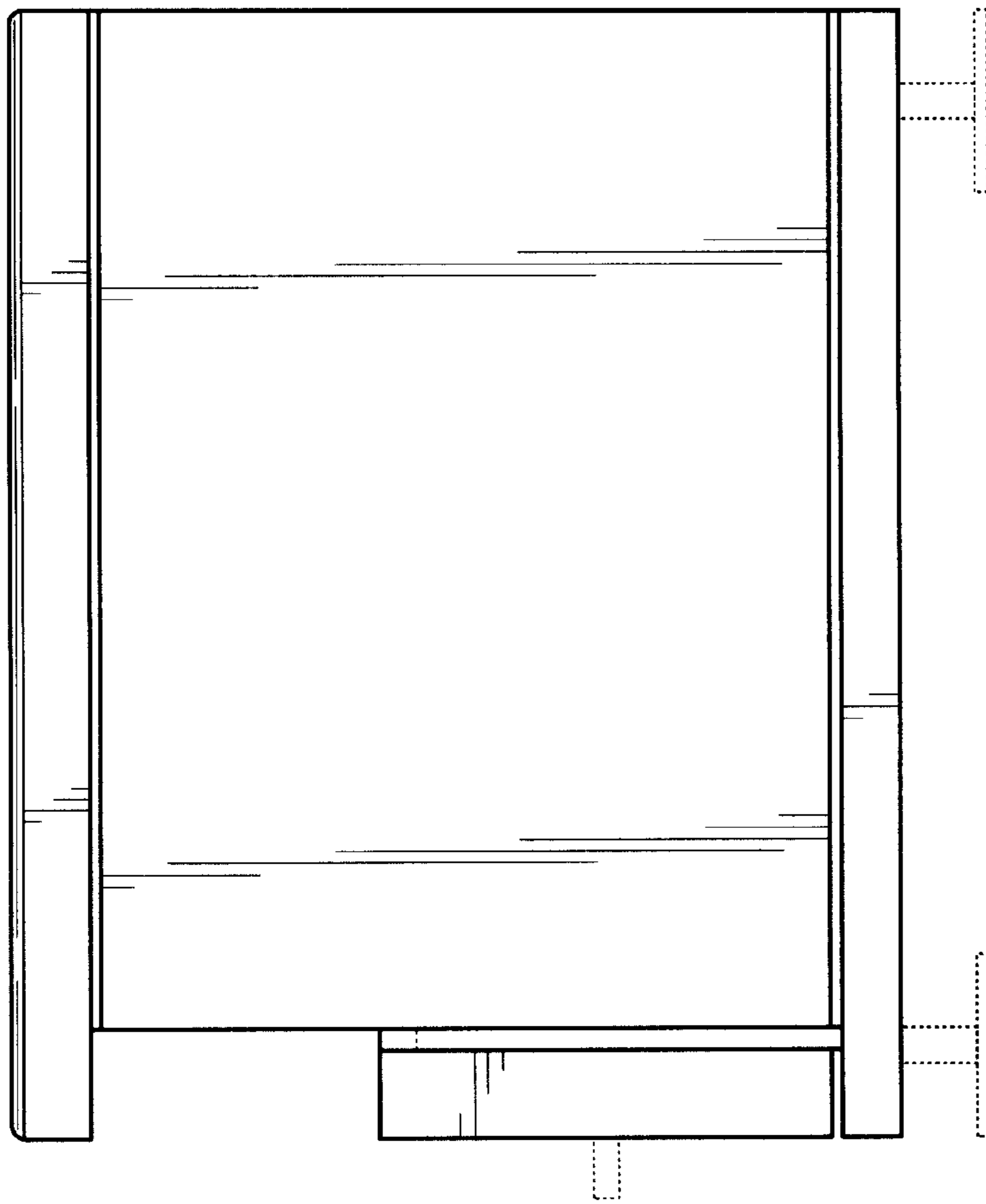


Fig. 4