



US00D534006S

(12) **United States Design Patent**
Tseng

(10) **Patent No.:** **US D534,006 S**

(45) **Date of Patent:** **** Dec. 26, 2006**

(54) **CHAIR**

(75) Inventor: **Chuen-Jong Tseng**, Chiayi Hsien (TW)

(73) Assignee: **Taiwan Shin Yeh Enterprise Co., Ltd.**,
Chiayi Hsien (TW)

(**) Term: **14 Years**

(21) Appl. No.: **29/254,306**

(22) Filed: **Feb. 21, 2006**

(51) **LOC (8) Cl.** **06-01**

(52) **U.S. Cl.** **D6/376; D6/370; D6/379**

(58) **Field of Classification Search** D6/334-335,
D6/358, 369, 370, 375, 376, 379, 380, 81,
D6/500-502; 297/445.1, 446.1, 452.63, 452.64
See application file for complete search history.

(56) **References Cited**

U.S. PATENT DOCUMENTS

D286,827 S	*	11/1986	Arthur, Jr.	D6/376
D339,696 S	*	9/1993	Arthur, Jr.	D6/379
D340,363 S	*	10/1993	Tseng	D6/370
D378,253 S	*	3/1997	Frinier	D6/375
D404,929 S	*	2/1999	Frinier	D6/376
D426,395 S	*	6/2000	Lin	D6/376
D426,719 S	*	6/2000	Lin	D6/376
D431,728 S	*	10/2000	Bell	D6/375
D436,750 S	*	1/2001	Tseng	D6/376
D440,065 S	*	4/2001	Goodman	D6/376

D442,383 S	*	5/2001	Bell	D6/375
D445,270 S	*	7/2001	Rehmert et al.	D6/376
D445,271 S	*	7/2001	Rehmert et al.	D6/376
D450,468 S	*	11/2001	Caldwell	D6/376
D452,082 S	*	12/2001	Pluer	D6/375
D454,009 S	*	3/2002	Tseng	D6/376
D454,711 S	*	3/2002	Tseng	D6/376
D455,279 S	*	4/2002	Tseng	D6/376
D487,849 S	*	3/2004	Tseng	D6/376
D487,989 S	*	4/2004	Tseng	D6/376
D512,580 S	*	12/2005	Tseng	D6/376
D517,340 S	*	3/2006	Tseng	D6/376

* cited by examiner

Primary Examiner—Mimosa De

(74) *Attorney, Agent, or Firm*—Ladas & Parry LLP

(57) **CLAIM**

The ornamental design for chair, as shown and described.

DESCRIPTION

FIG. 1 is a perspective view of chair showing my new design;

FIG. 2 is a front elevational view thereof;

FIG. 3 is a rear elevational view thereof;

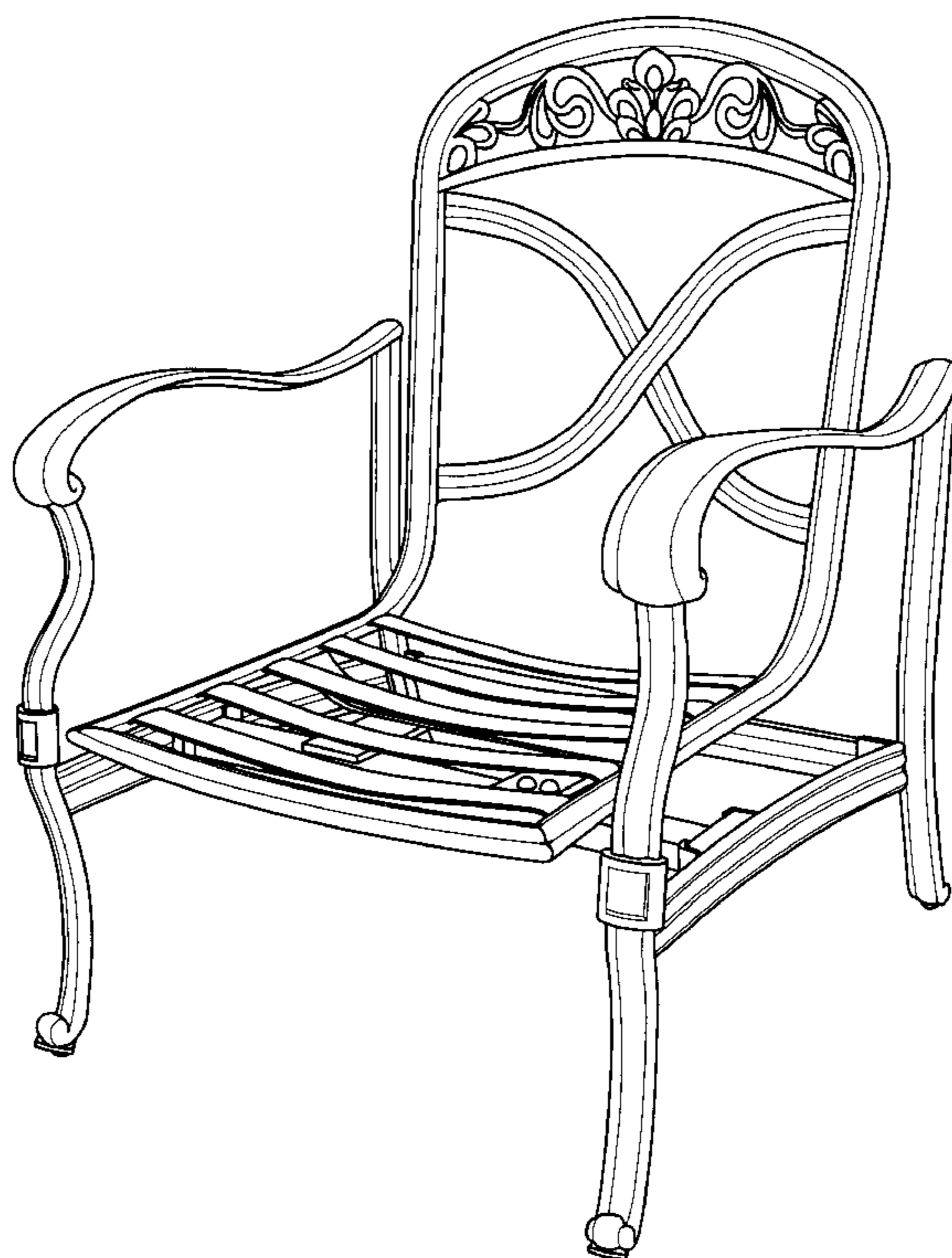
FIG. 4 is a left side elevational view thereof;

FIG. 5 is a right side elevational view thereof;

FIG. 6 is a top plan view thereof; and,

FIG. 7 is a bottom plan view thereof.

1 Claim, 4 Drawing Sheets



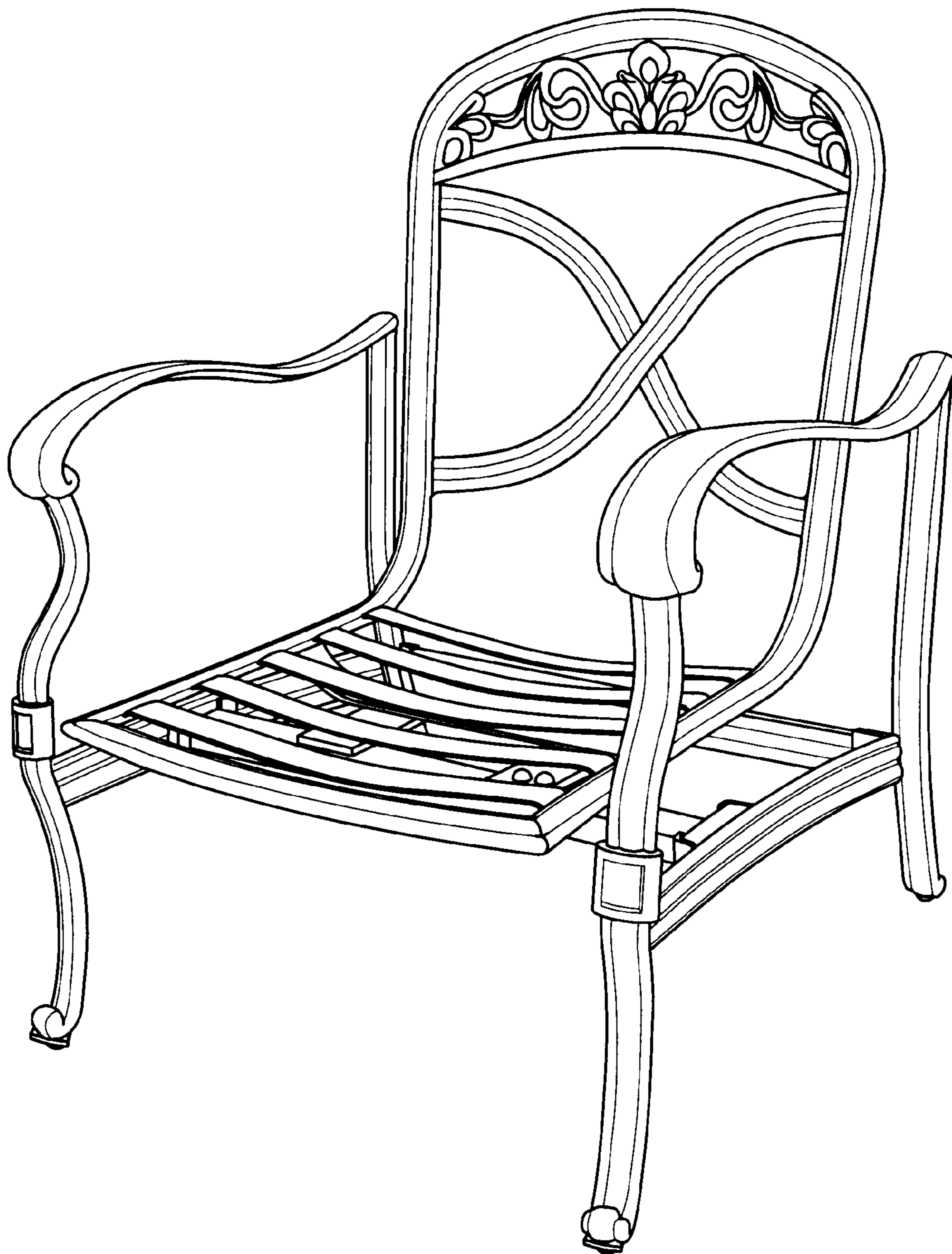


FIG. 1

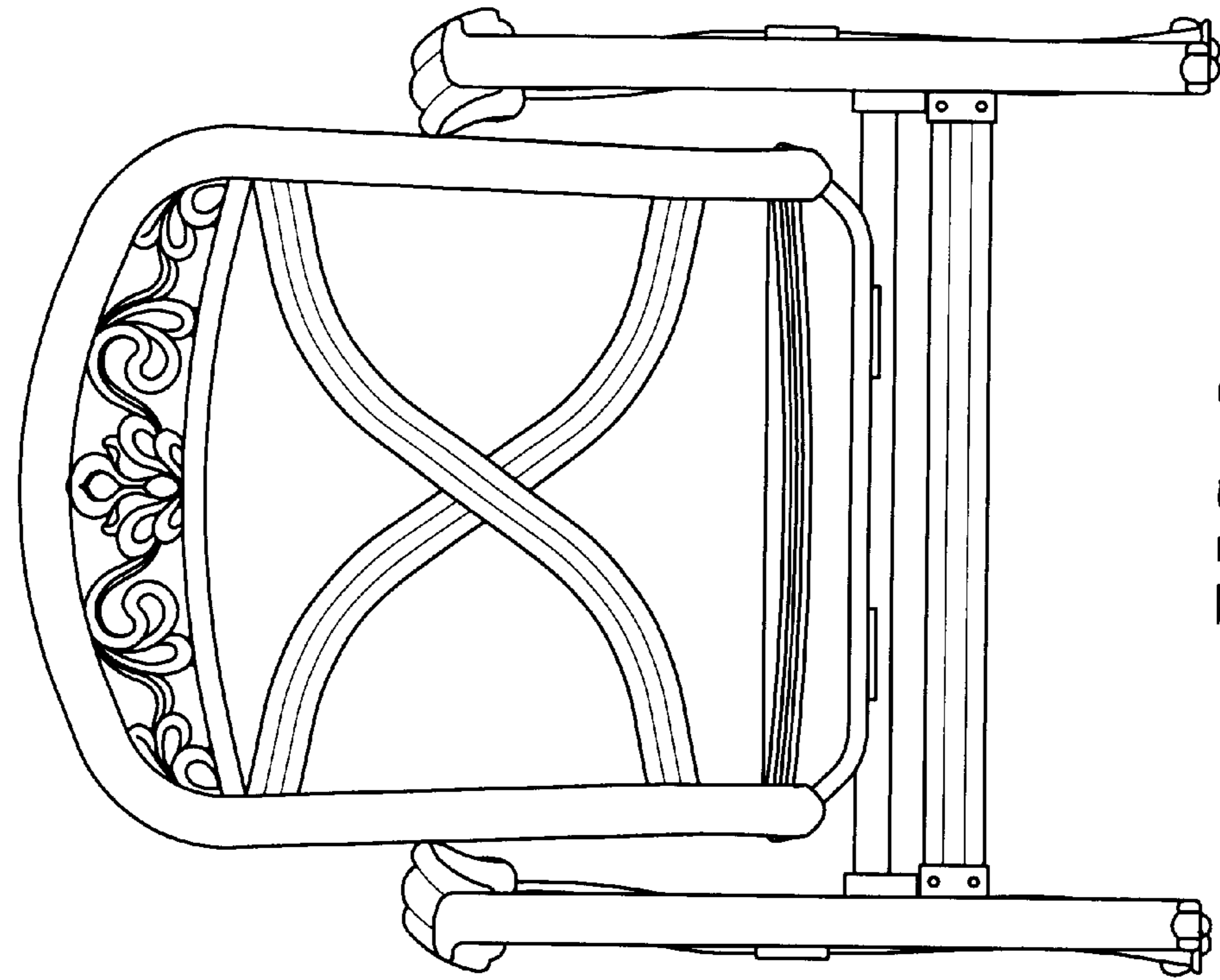


FIG. 3

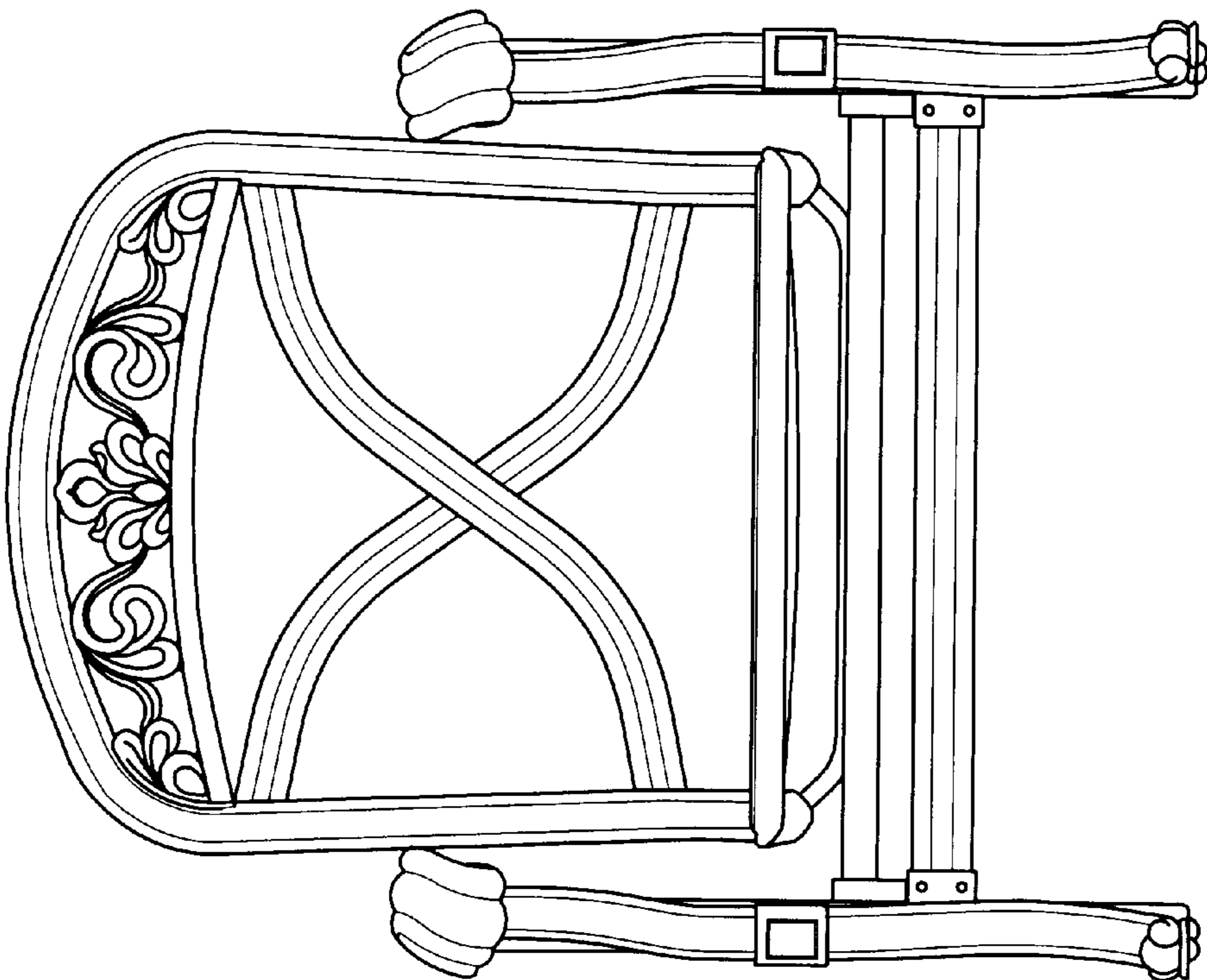


FIG. 2

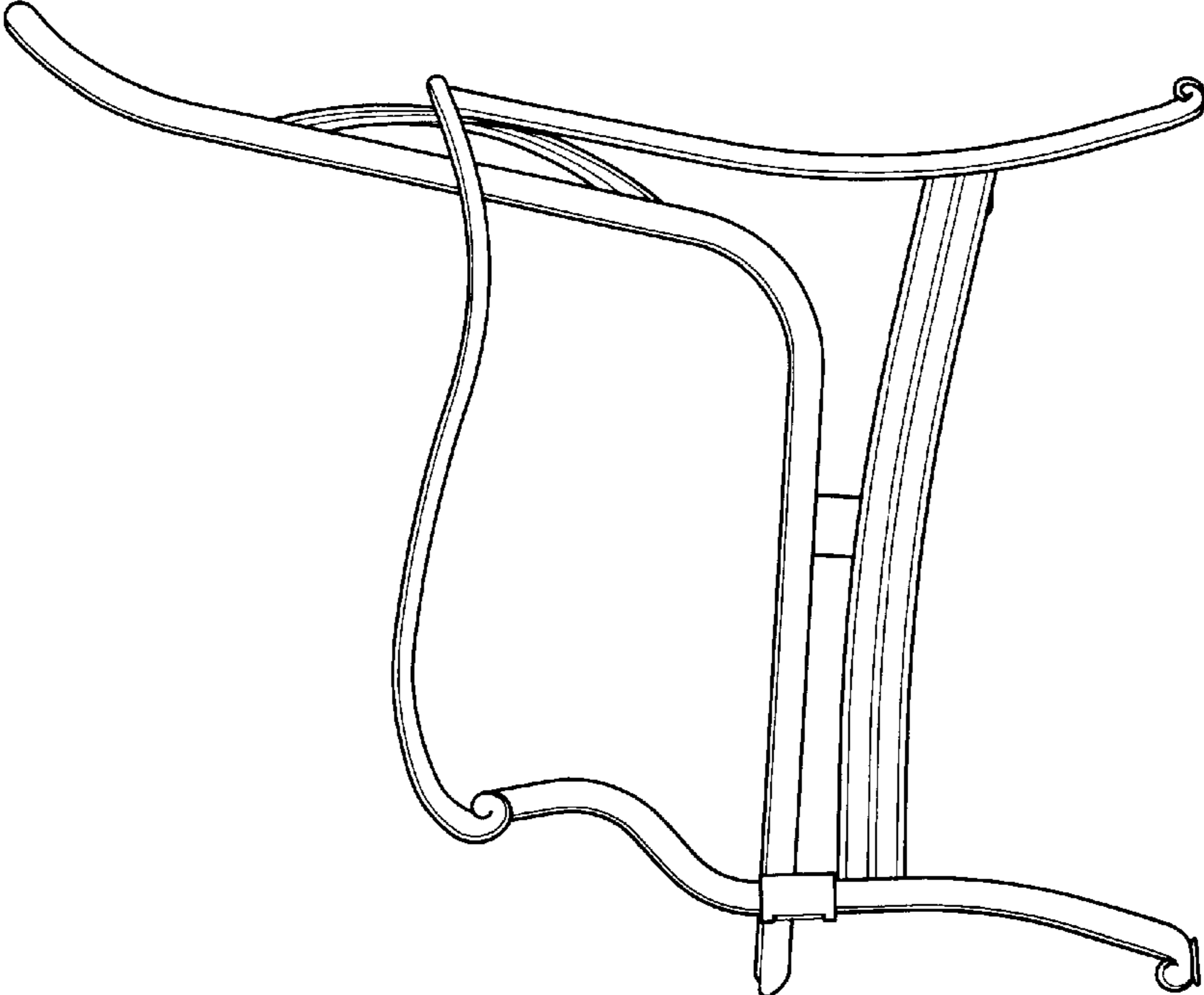


FIG. 5

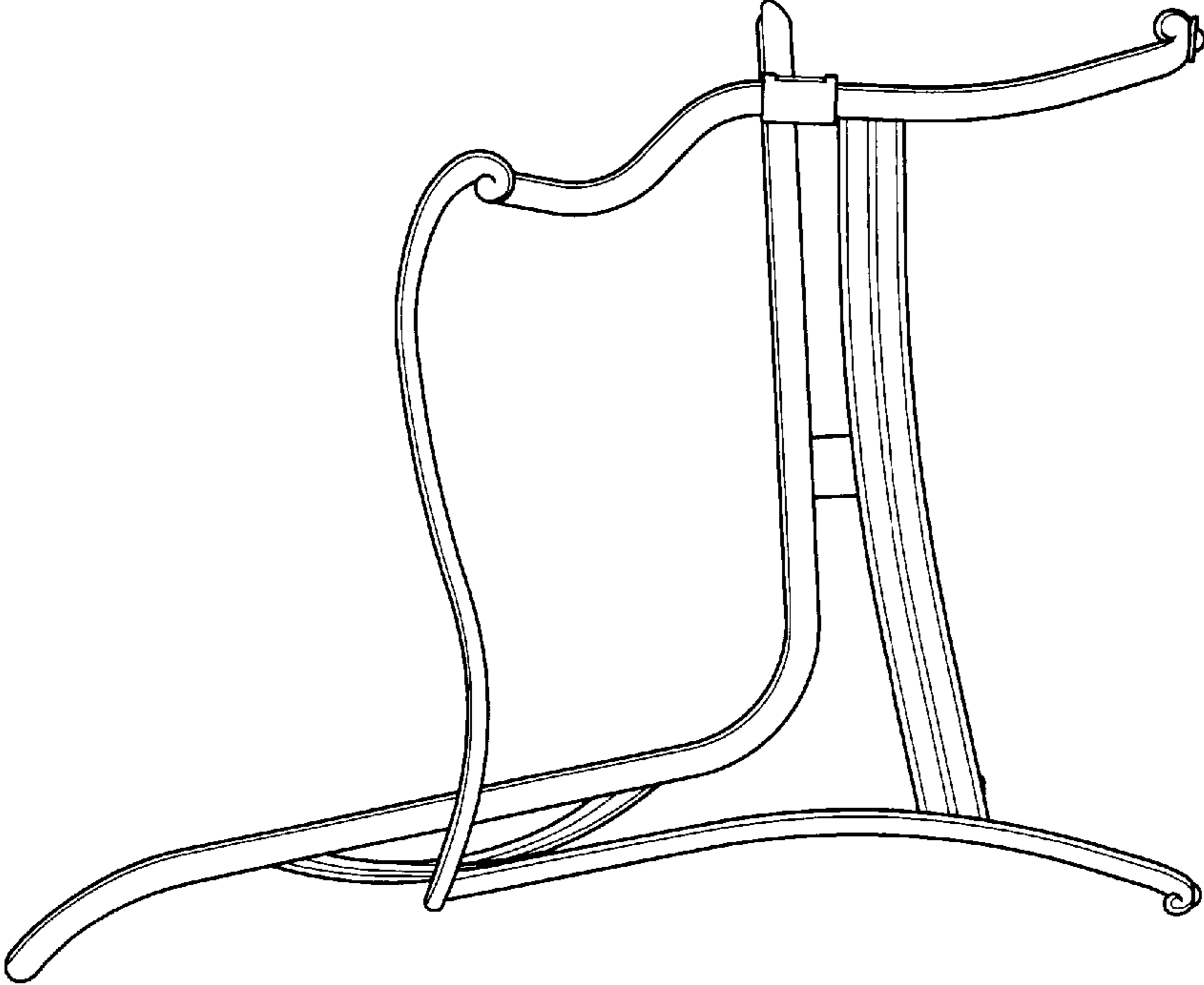


FIG. 4

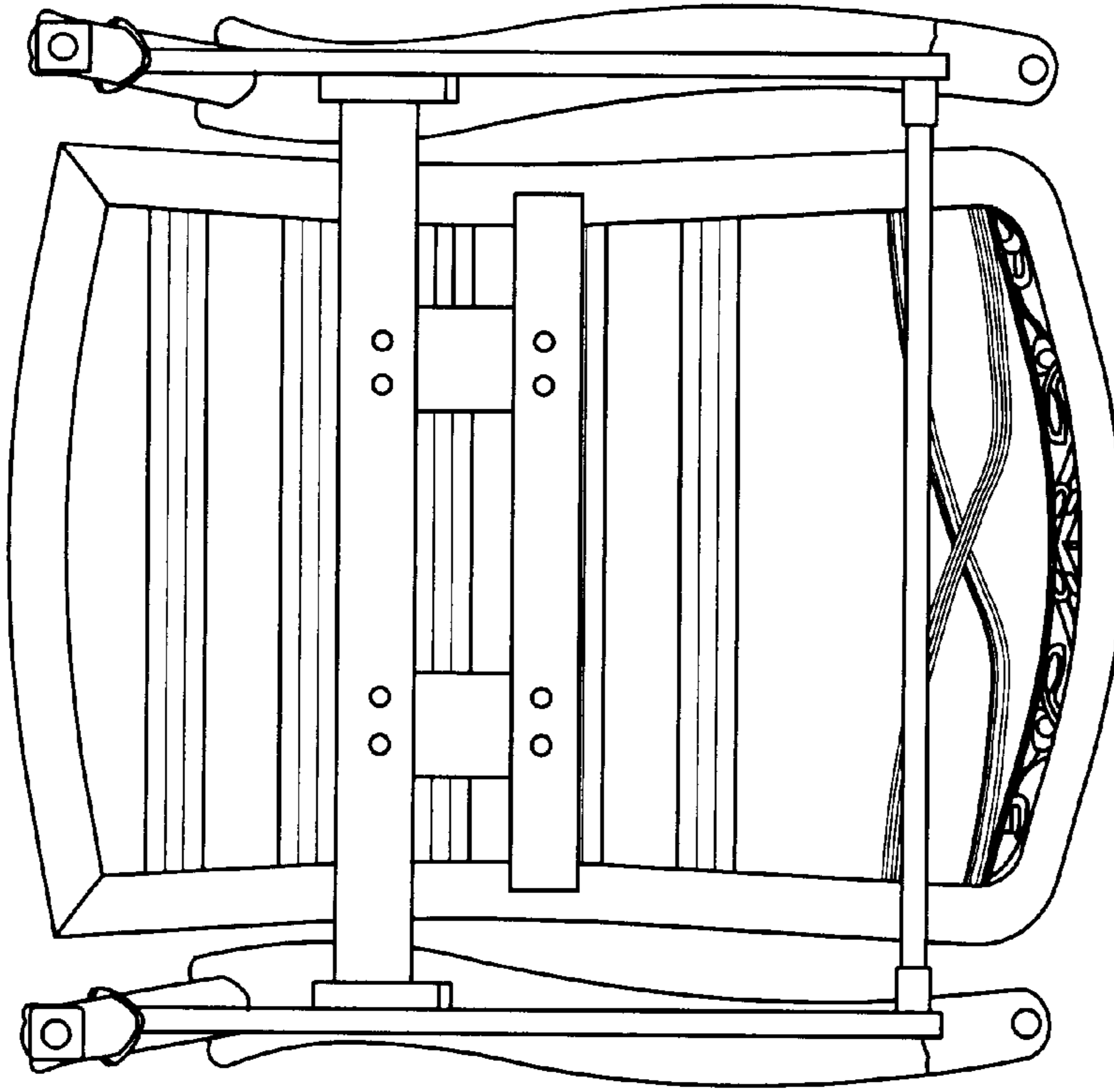


FIG. 7

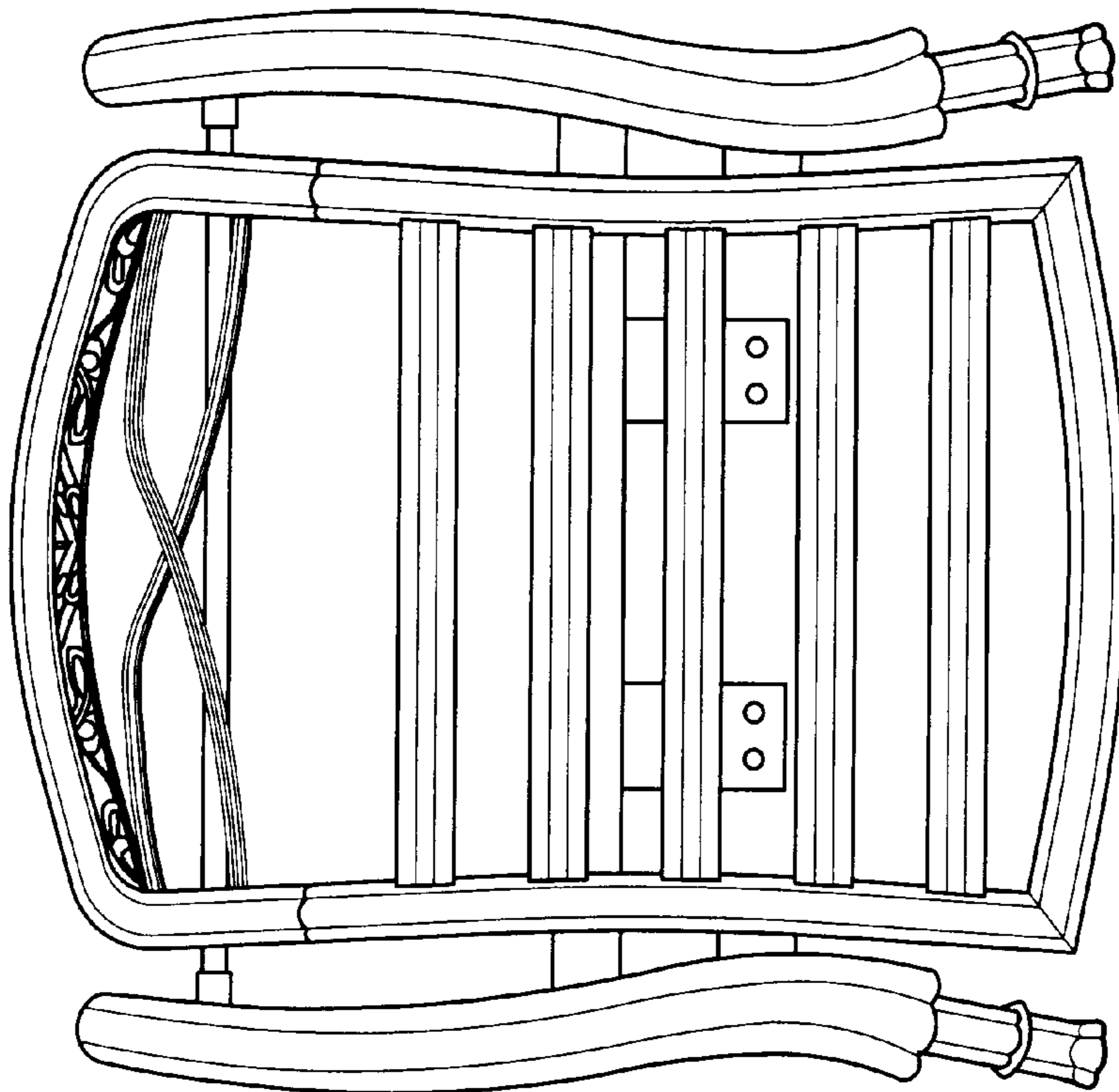


FIG. 6