



US00D534004S

(12) **United States Design Patent**  
**Waniga**

(10) **Patent No.:** **US D534,004 S**

(45) **Date of Patent:** **\*\* Dec. 26, 2006**

(54) **DECORATIVE PLATE AND PLATTER HANGER**

(76) Inventor: **Trina Waniga**, 333 E. 66 St., New York, NY (US) 10021

(\*\*) Term: **14 Years**

(21) Appl. No.: **29/245,853**

(22) Filed: **Dec. 30, 2005**

(51) **LOC (8) Cl.** ..... **06-04**

(52) **U.S. Cl.** ..... **D6/300; D8/355**

(58) **Field of Classification Search** ..... D6/462, D6/458, 449, 455, 461, 523, 466; 211/24, 211/41.1, 41.2, 41.4, 85.31, 181.1; D8/355, D8/373, 380

See application file for complete search history.

(56) **References Cited**

**U.S. PATENT DOCUMENTS**

1,010,633	A	*	12/1911	Jacobson	.....	248/490
1,762,675	A	*	6/1930	Wiener	.....	248/448
2,128,703	A	*	8/1938	Grandman	.....	248/491
2,365,108	A	*	12/1944	Richards	.....	248/490
2,488,243	A	*	11/1949	Schneir	.....	248/491
2,604,286	A	*	7/1952	Meline	.....	248/491
2,614,778	A	*	10/1952	Graves	.....	248/490

2,810,226	A	*	10/1957	Horwitt	.....	40/740
D259,765	S	*	7/1981	Kemper	.....	D8/355
D276,961	S	*	1/1985	Kemper	.....	D6/466
4,542,876	A	*	9/1985	Hogg	.....	248/491
6,007,041	A	*	12/1999	Law	.....	248/491

\* cited by examiner

*Primary Examiner*—Caron D. Veynar

*Assistant Examiner*—Sydney R. Buffalow

(74) *Attorney, Agent, or Firm*—Jamel Oeser-Sweat

(57) **CLAIM**

The ornamental design for a decorative plate and platter hanger, as shown and described.

**DESCRIPTION**

FIG. 1 is a front-top perspective view of a decorative plate and platter hanger;

FIG. 2 is a front elevational view thereof;

FIG. 3 is a rear view thereof;

FIG. 4 is a right side view thereof;

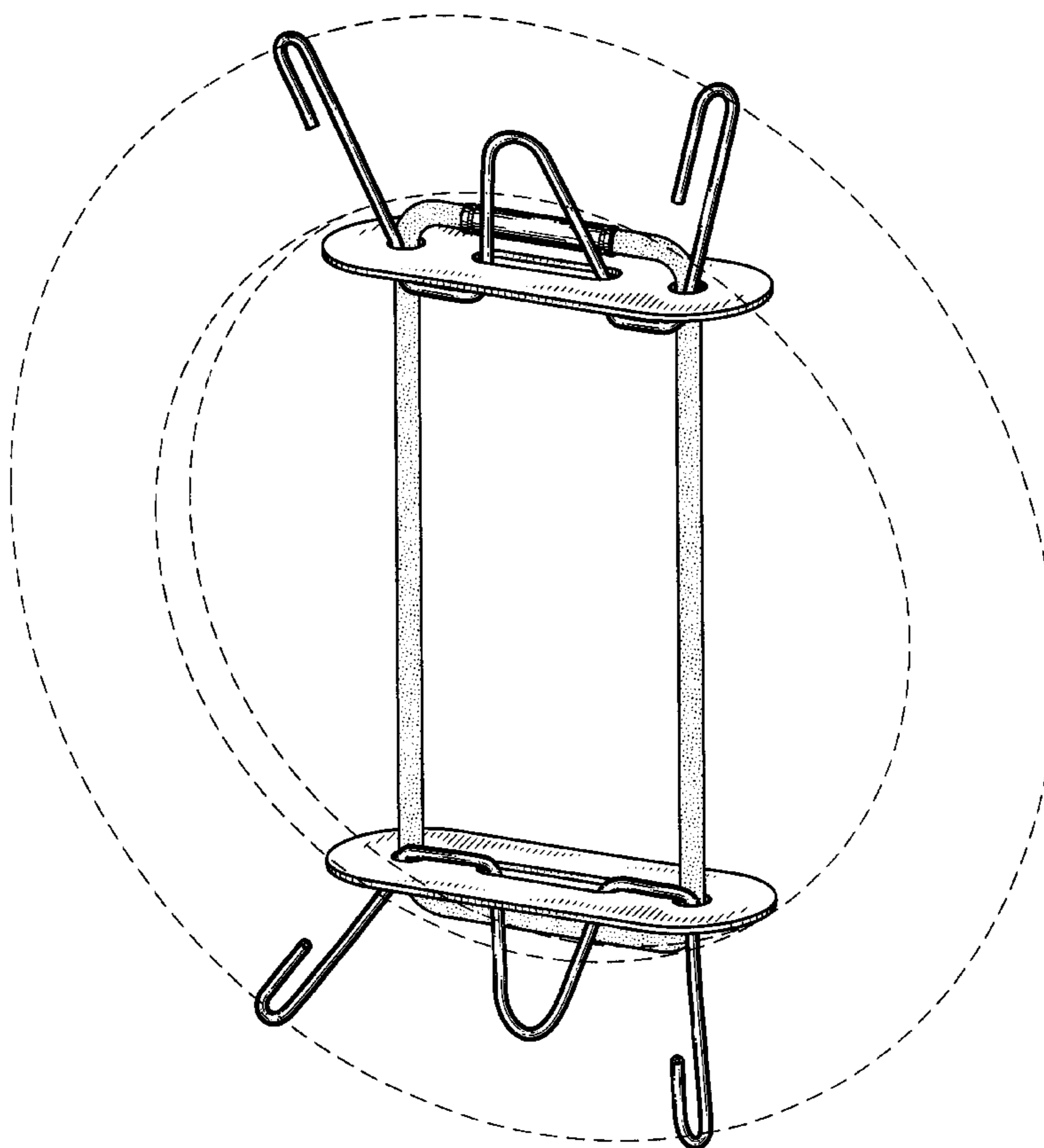
FIG. 5 is a left side view thereof;

FIG. 6 is a top plan view thereof; and,

FIG. 7 is a bottom plan view.

The broken lines are for illustrative purposes only and form no part of the claimed design.

**1 Claim, 6 Drawing Sheets**



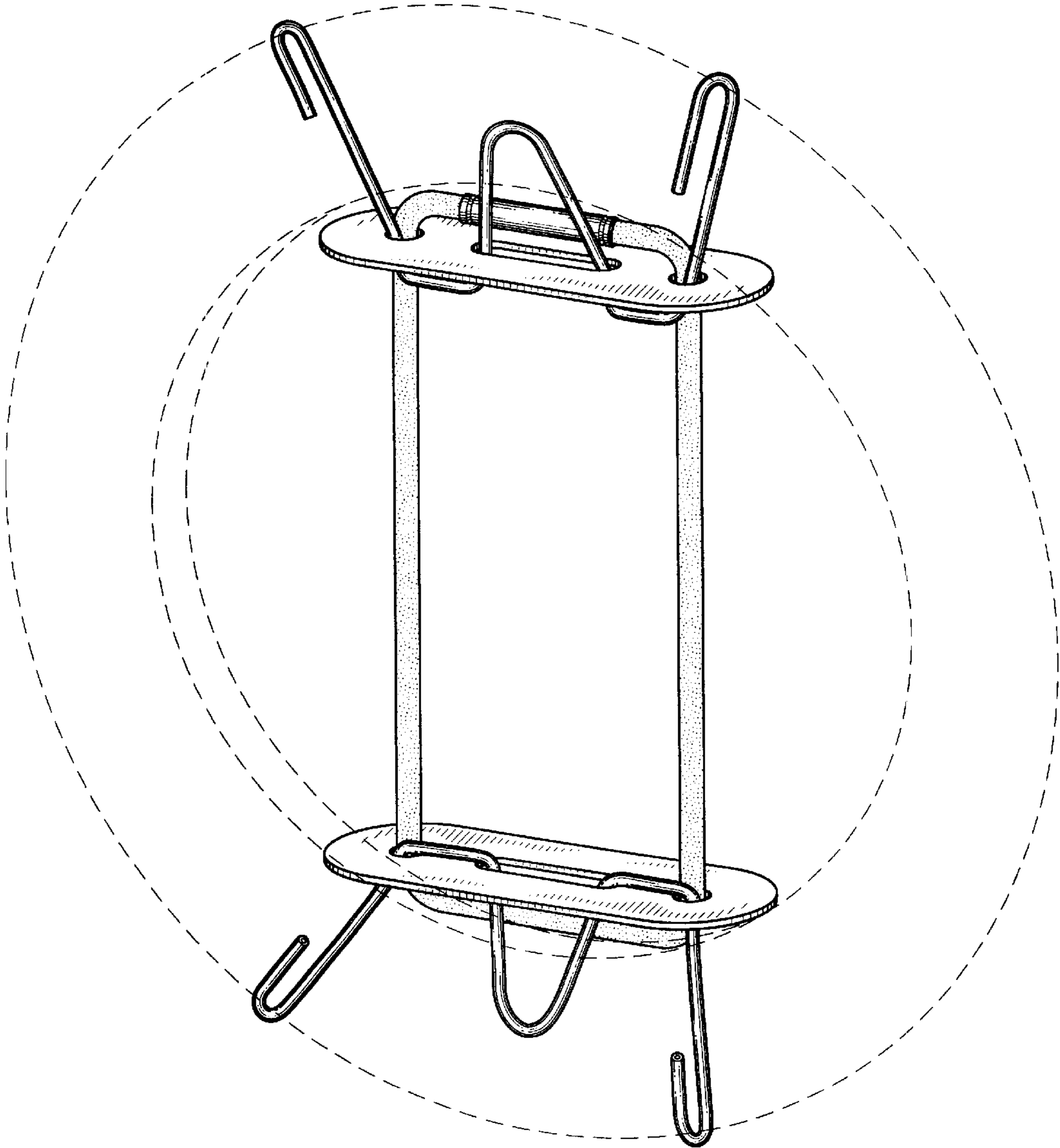


FIG. 1

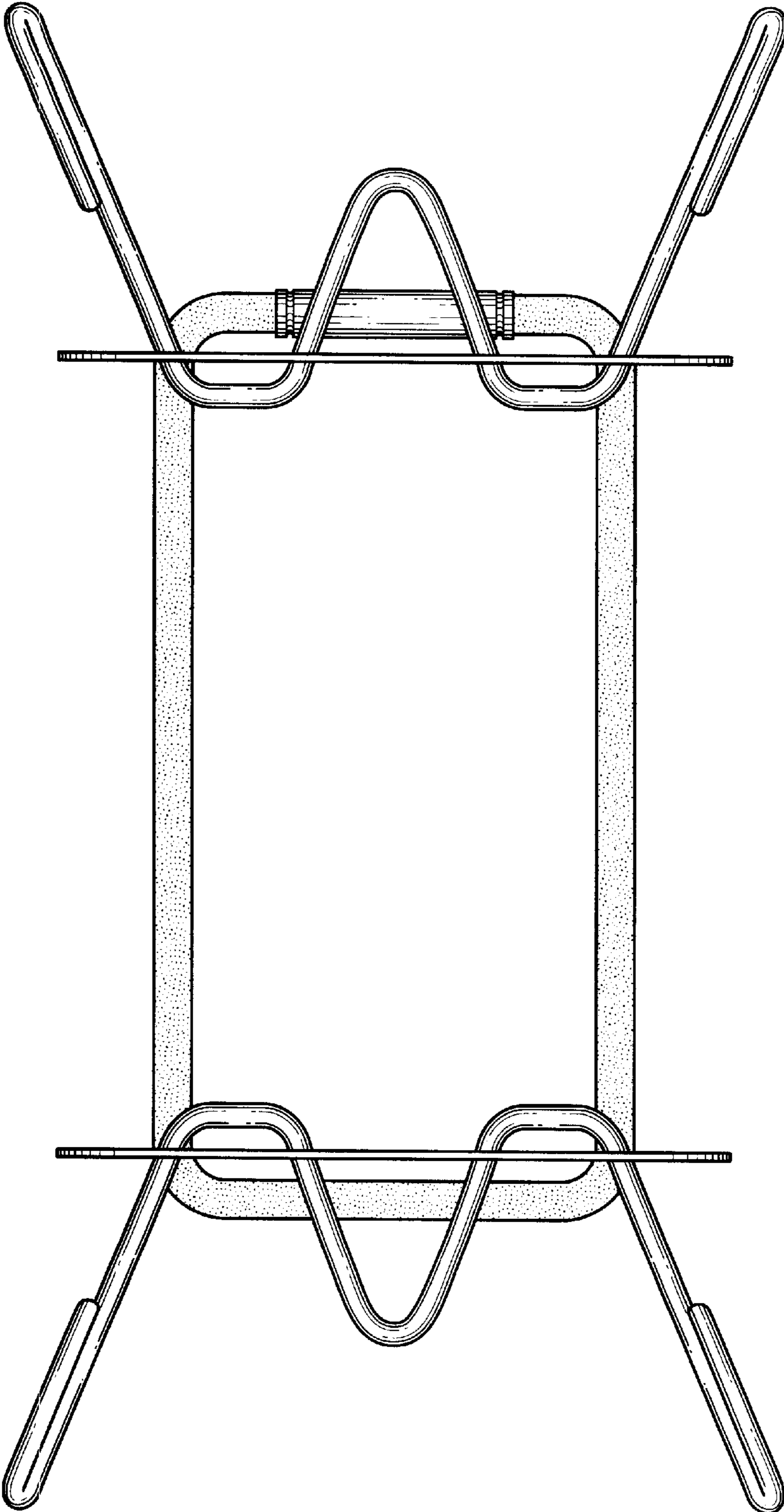


FIG. 2

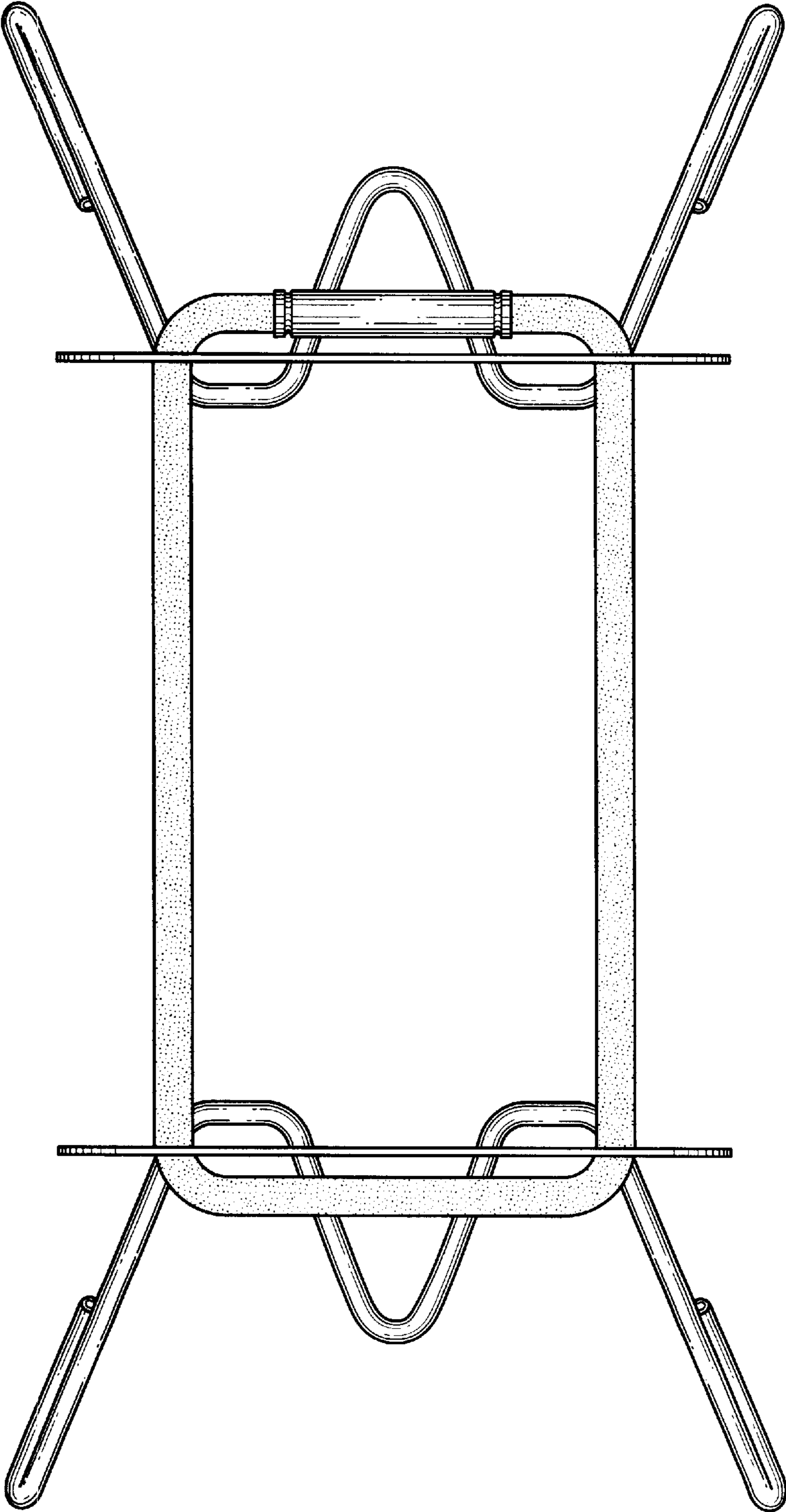
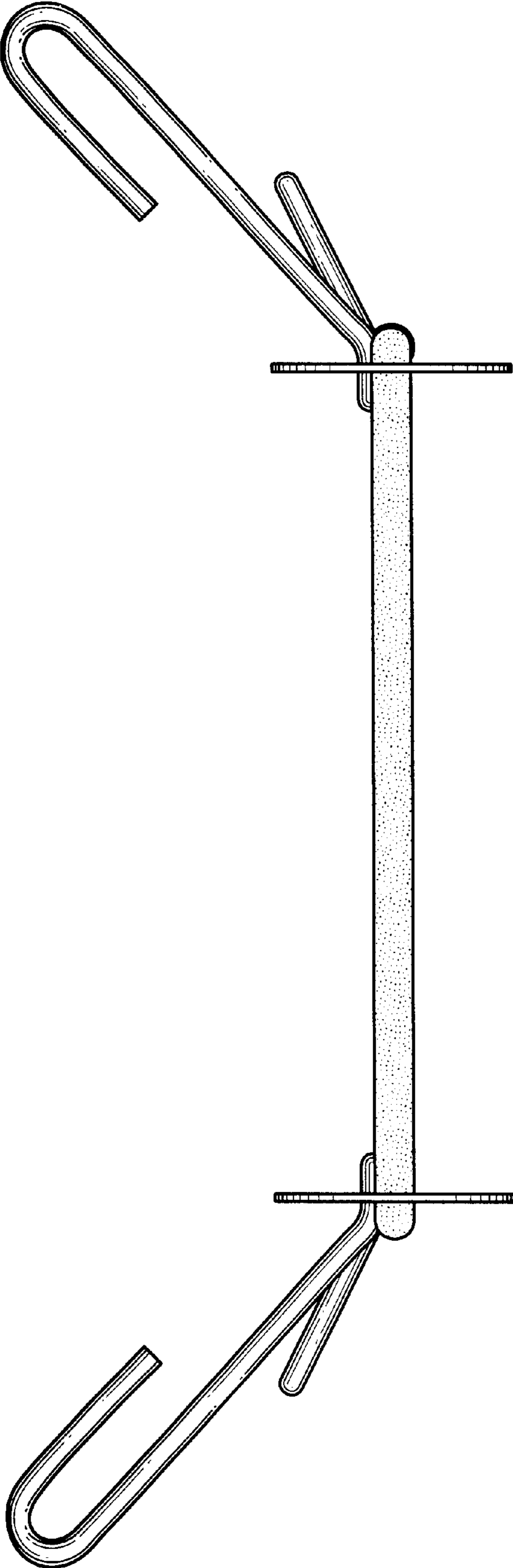
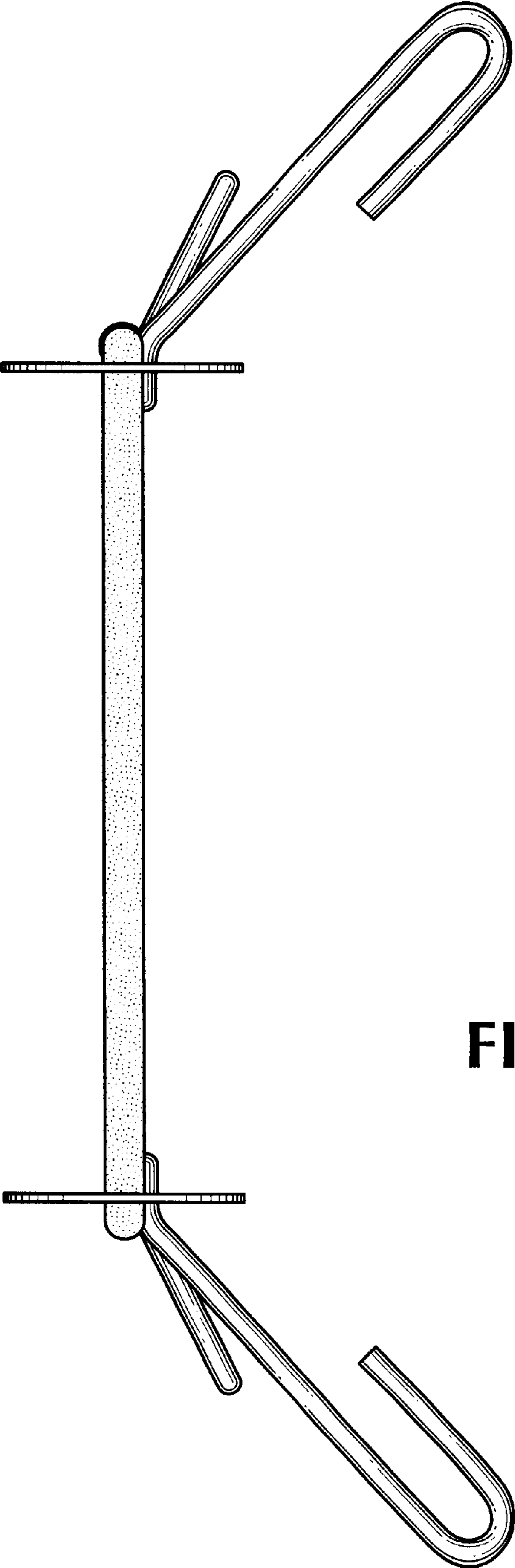


FIG. 3



**FIG. 4**



**FIG. 5**

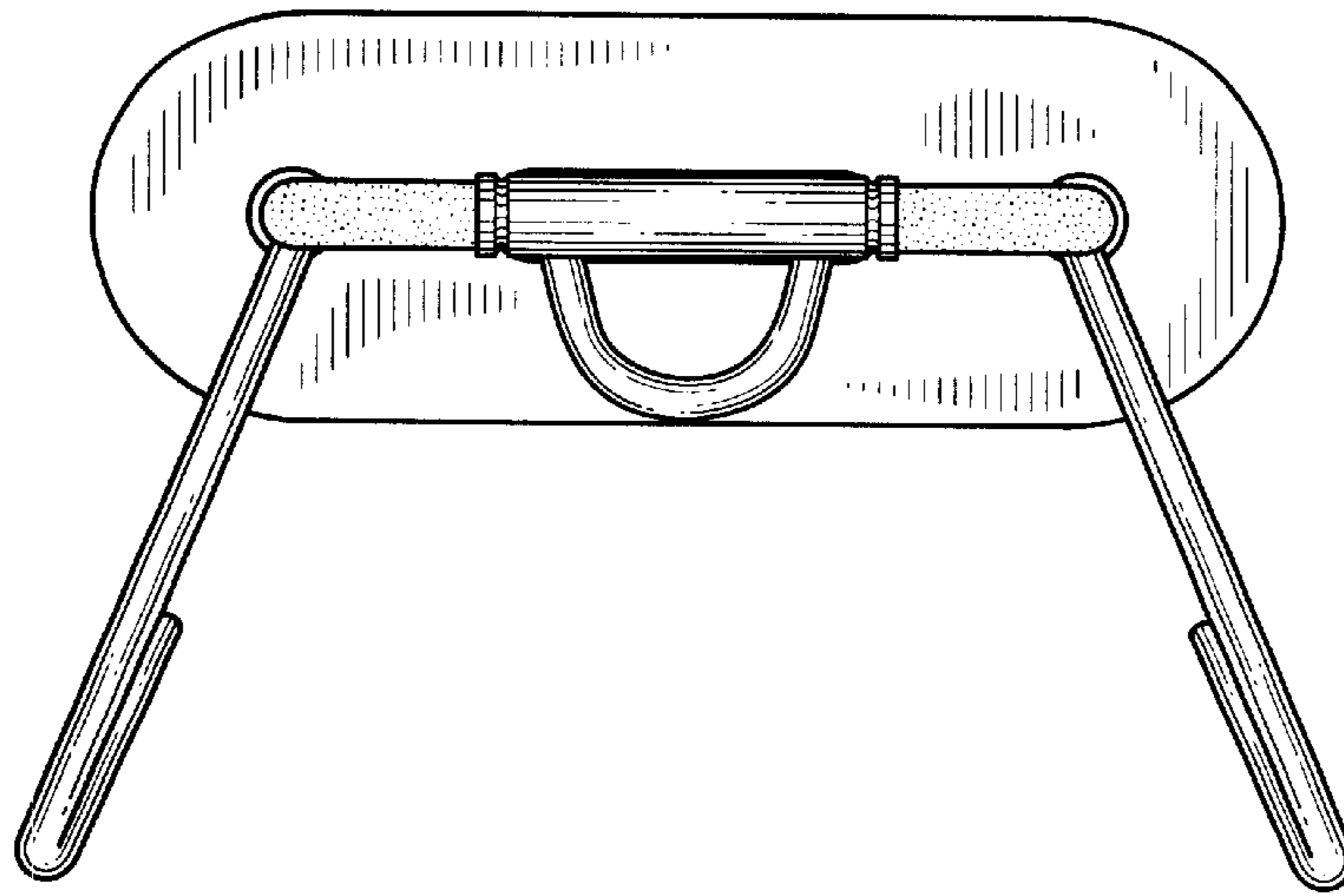


FIG. 6

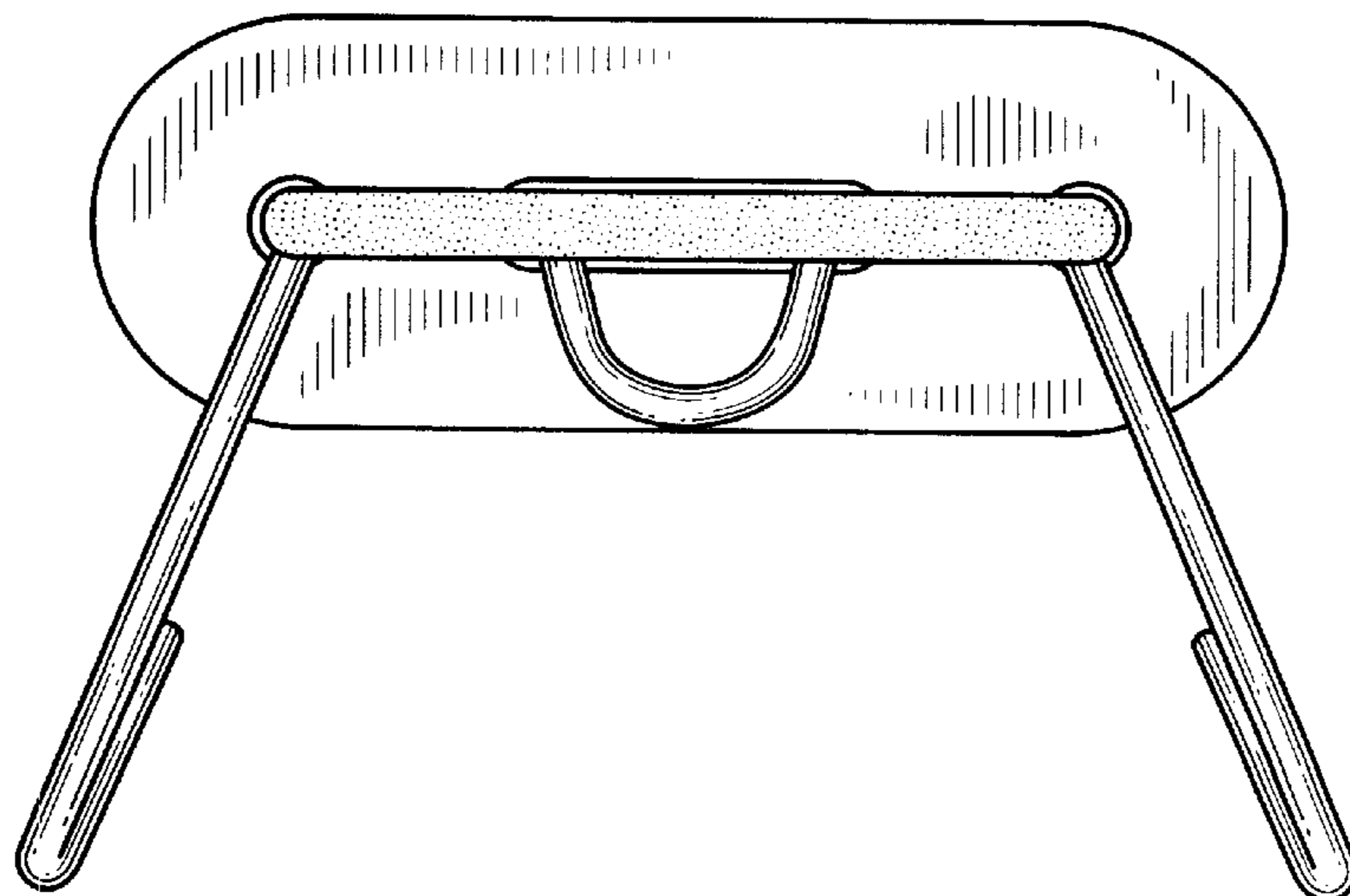


FIG. 7