



US00D533994S

(12) **United States Design Patent**
Hussaini et al.

(10) **Patent No.:** **US D533,994 S**
(45) **Date of Patent:** **** Dec. 26, 2006**

(54) **HOLDER FOR PORTABLE ELECTRONIC DEVICE**

(75) Inventors: **Saied Hussaini**, Miami, FL (US); **Marc Iacovelli**, Miami, FL (US)

(73) Assignee: **I-Tec Electronics, Inc.**, Miami, FL (US)

(**) Term: **14 Years**

(21) Appl. No.: **29/240,141**

(22) Filed: **Oct. 11, 2005**

(51) **LOC (8) Cl.** **03-01**

(52) **U.S. Cl.** **D3/218**

(58) **Field of Classification Search** D3/218,
D3/215, 224-226, 232-233, 219; 224/600,
224/250, 930, 682-683; 379/455; 455/100;
206/316.2

See application file for complete search history.

(56) **References Cited**

U.S. PATENT DOCUMENTS

D499,546 S	*	12/2004	Smithers	D3/218
D505,786 S	*	6/2005	Pueblo	D3/218
D519,275 S	*	4/2006	Shertzer	D3/218

* cited by examiner

Primary Examiner—Catherine R. Oliver

(74) *Attorney, Agent, or Firm*—Berenato, White & Stavish

(57) **CLAIM**

The ornamental design for a holder for portable electronic device, as shown and described.

DESCRIPTION

FIG. 1 is a perspective view of the holder for portable electronic device according to the present invention.

FIG. 2 is a front view of the holder for portable electronic device of FIG. 1.

FIG. 3 is a rear view of the holder for portable electronic device of FIG. 1.

FIG. 4 is a right side view of the holder for portable electronic device of FIG. 1.

FIG. 5 is a left side view of holder for portable electronic device of FIG. 1.

FIG. 6 is a top view of the holder for portable electronic device of FIG. 1; and,

FIG. 7 is a bottom view of the holder for portable electronic device of FIG. 1.

The strap is shown broken away to indicate indeterminate length.

1 Claim, 5 Drawing Sheets

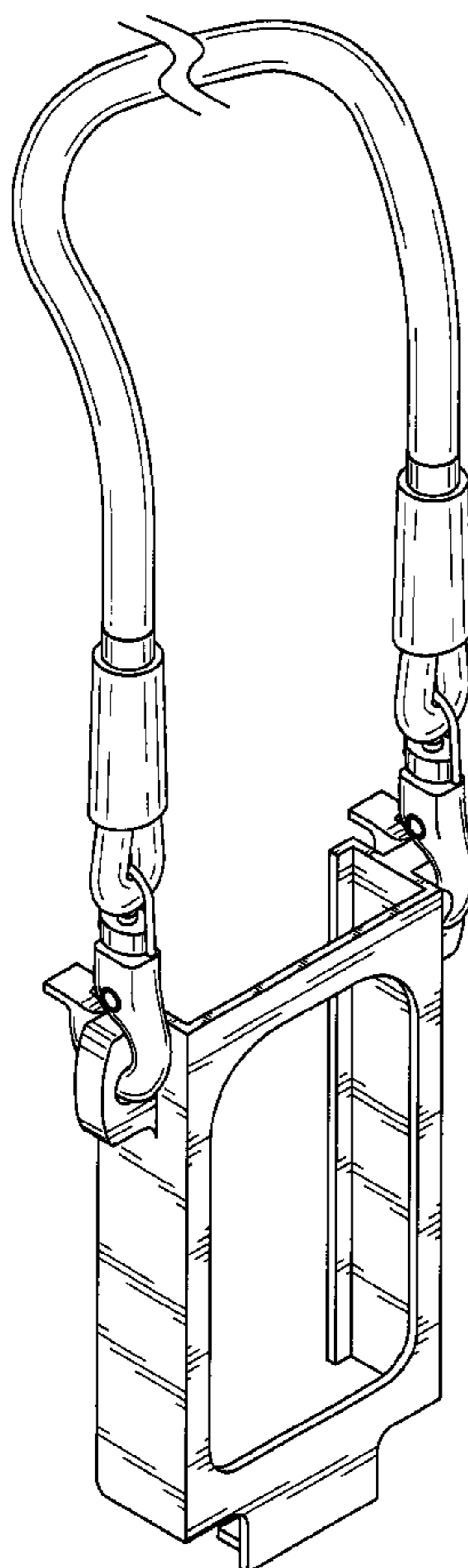


Fig. 1

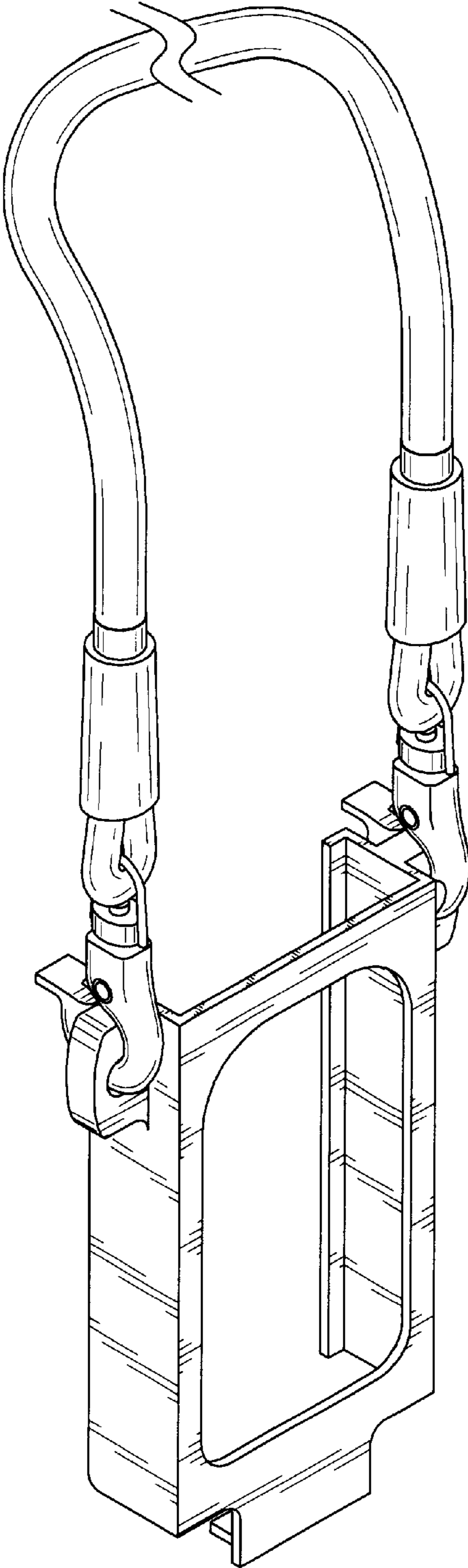


Fig. 2

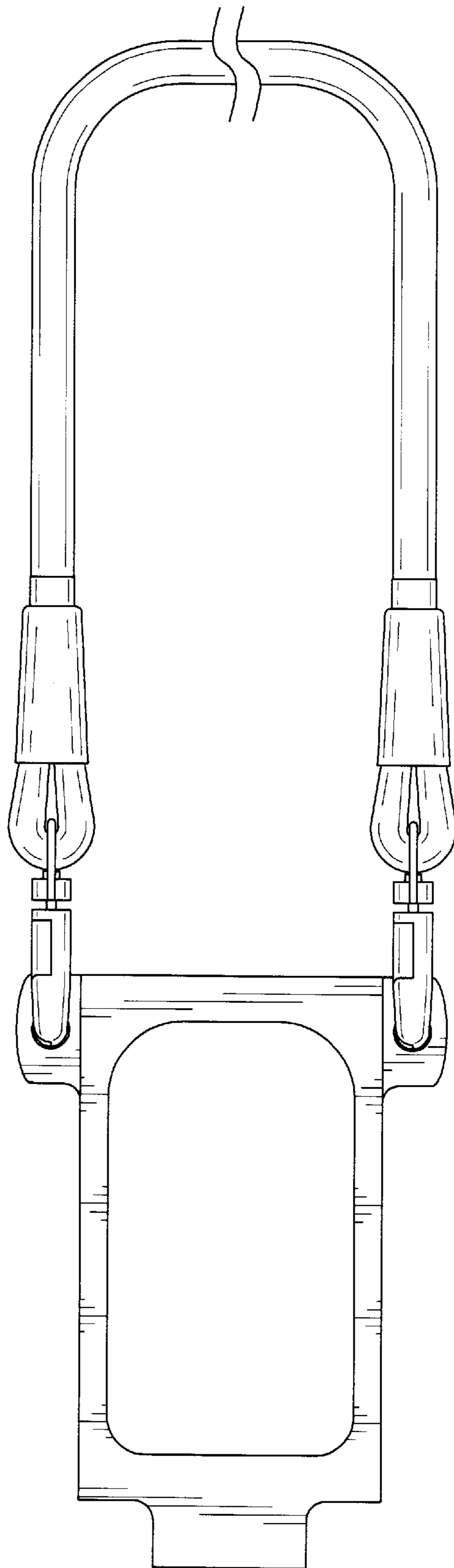


Fig. 3

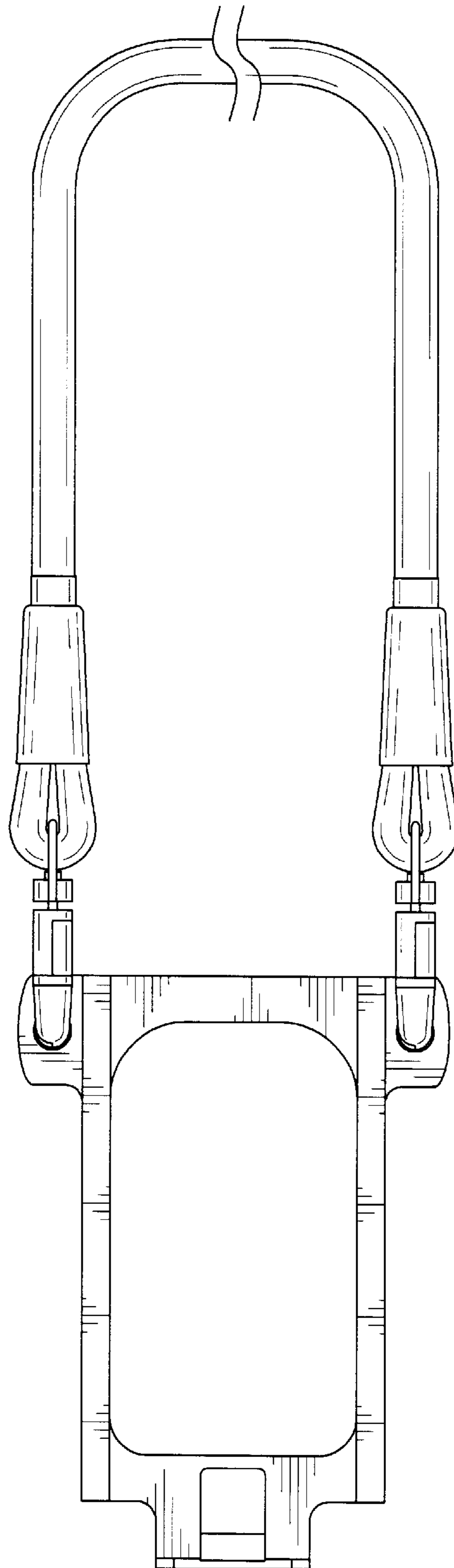


Fig. 4

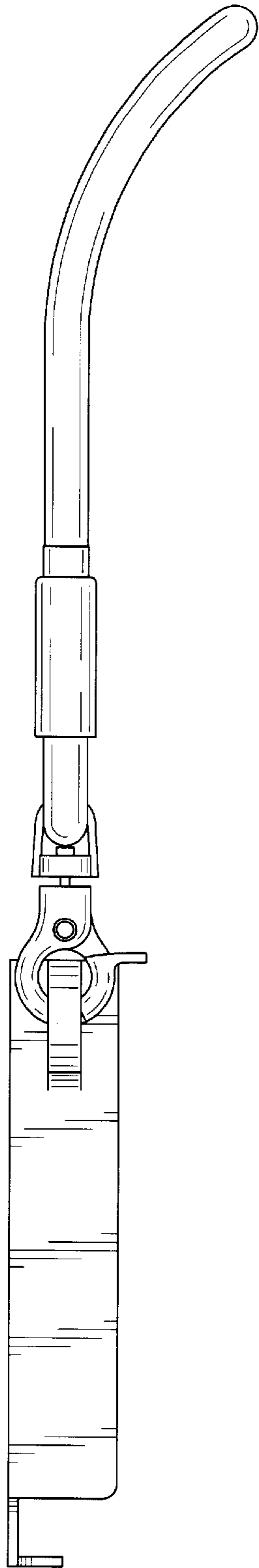


Fig. 5

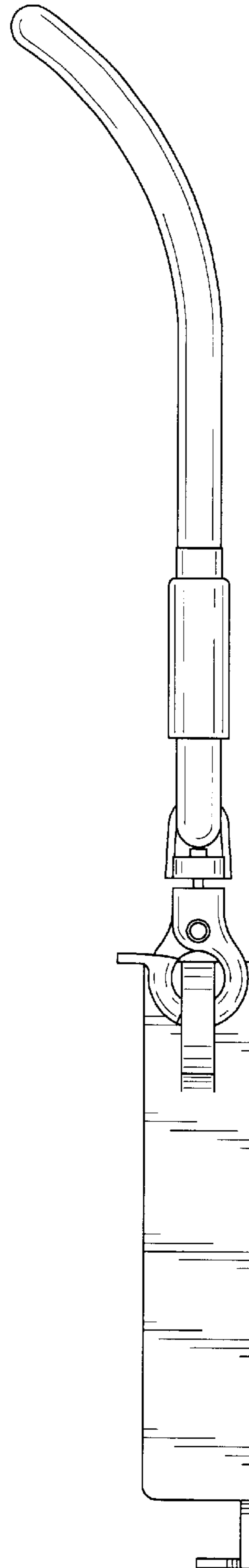


Fig. 6

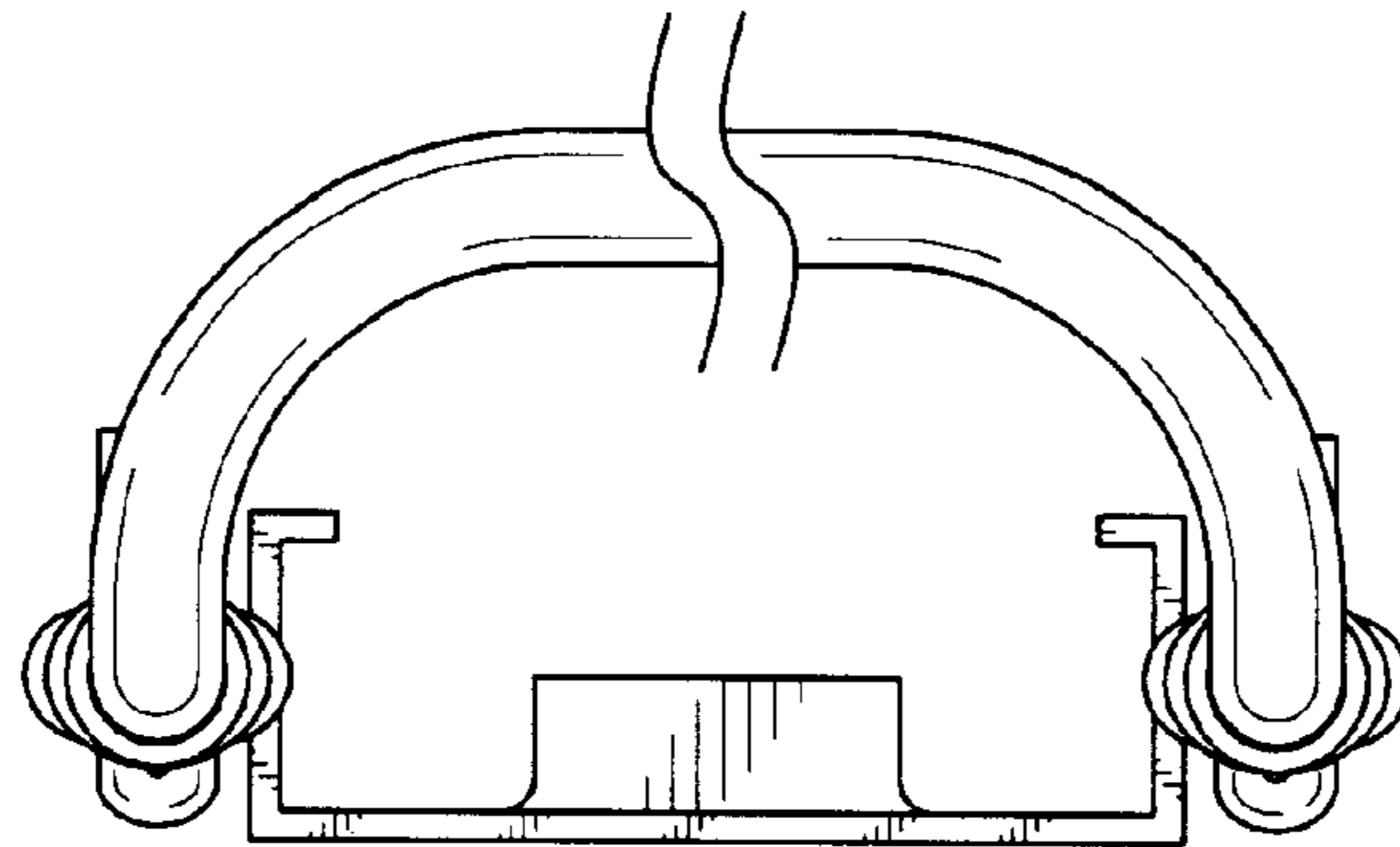


Fig. 7

