



US00D533993S

(12) **United States Design Patent**  
**Coe et al.**

(10) **Patent No.:** **US D533,993 S**

(45) **Date of Patent:** **\*\* Dec. 26, 2006**

(54) **TABLET HOLDER**

(75) Inventors: **Matthew Coe**, Annandale, NJ (US);  
**Mitchell Tung**, Bridgewater, NJ (US)

(73) Assignee: **PharmaDesign Inc.**, Warren, NJ (US)

(\*\*) Term: **14 Years**

(21) Appl. No.: **29/232,514**

(22) Filed: **Jun. 20, 2005**

(51) **LOC (8) Cl.** ..... **03-01**

(52) **U.S. Cl.** ..... **D3/203.2**

(58) **Field of Classification Search** ..... D3/201-205;  
D28/76-83; 206/389, 390, 530-538, 37;  
D9/730-736

See application file for complete search history.

(56) **References Cited**

**U.S. PATENT DOCUMENTS**

D238,756 S \* 2/1976 Sweett et al. .... D3/203.2

D345,033 S \* 3/1994 Acker et al. .... D28/83  
D487,342 S \* 3/2004 Yewdall et al. .... D3/203.2  
D497,103 S \* 10/2004 Malloy et al. .... D3/203.2

\* cited by examiner

*Primary Examiner*—Catherine R. Oliver

(74) *Attorney, Agent, or Firm*—Watov & Kipnes, P.C.

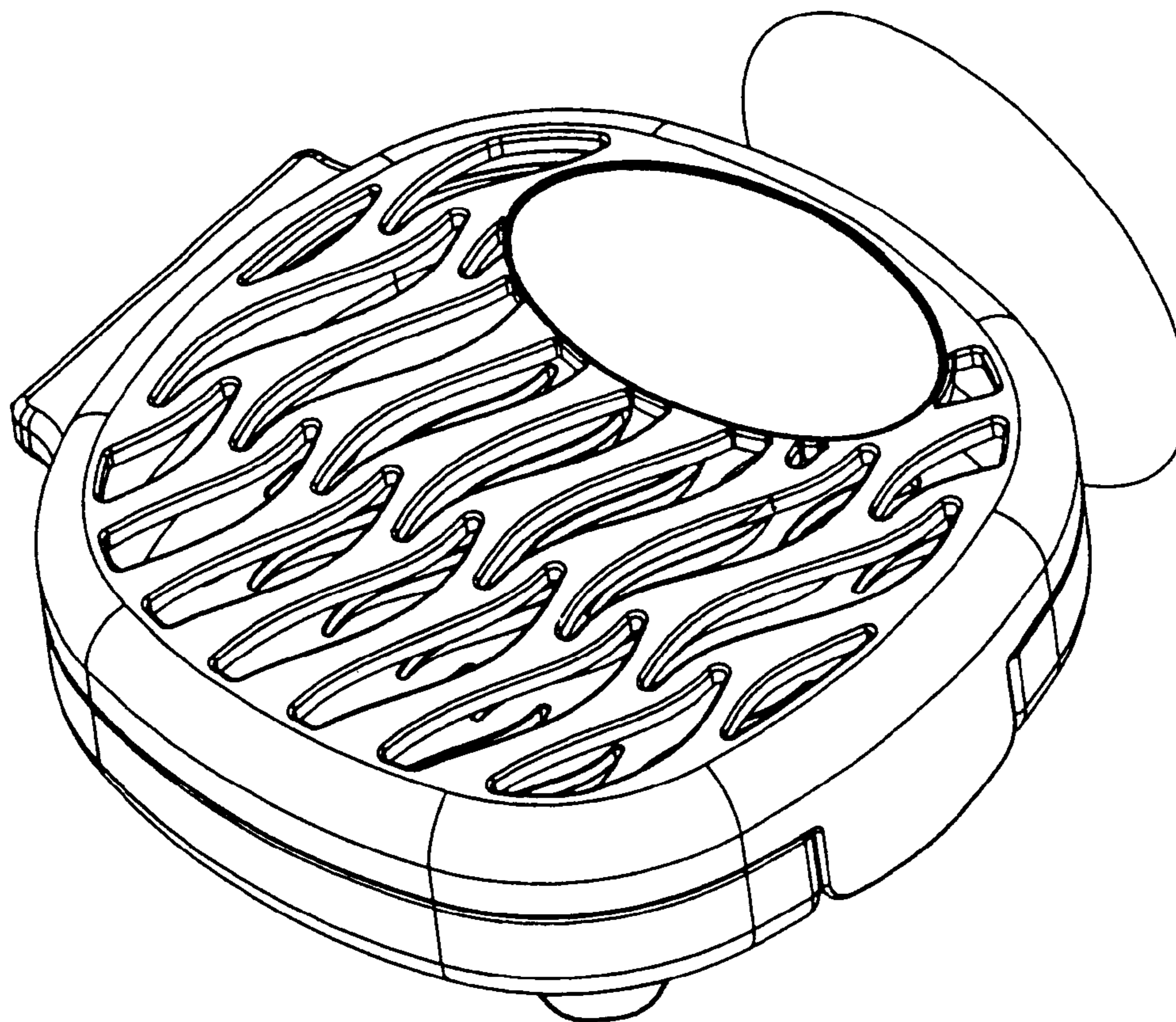
(57) **CLAIM**

The ornamental design for a tablet holder, as shown and described.

**DESCRIPTION**

FIG. 1 is a top plan view of a tablet holder;  
FIG. 2 is a perspective view thereof;  
FIG. 3 is a rear elevational view thereof;  
FIG. 4 is a right side elevational view thereof;  
FIG. 5 is a front elevational view thereof;  
FIG. 6 is a left side elevational view thereof; and,  
FIG. 7 is a perspective view thereof showing the tablet holder in an open position.

**1 Claim, 5 Drawing Sheets**



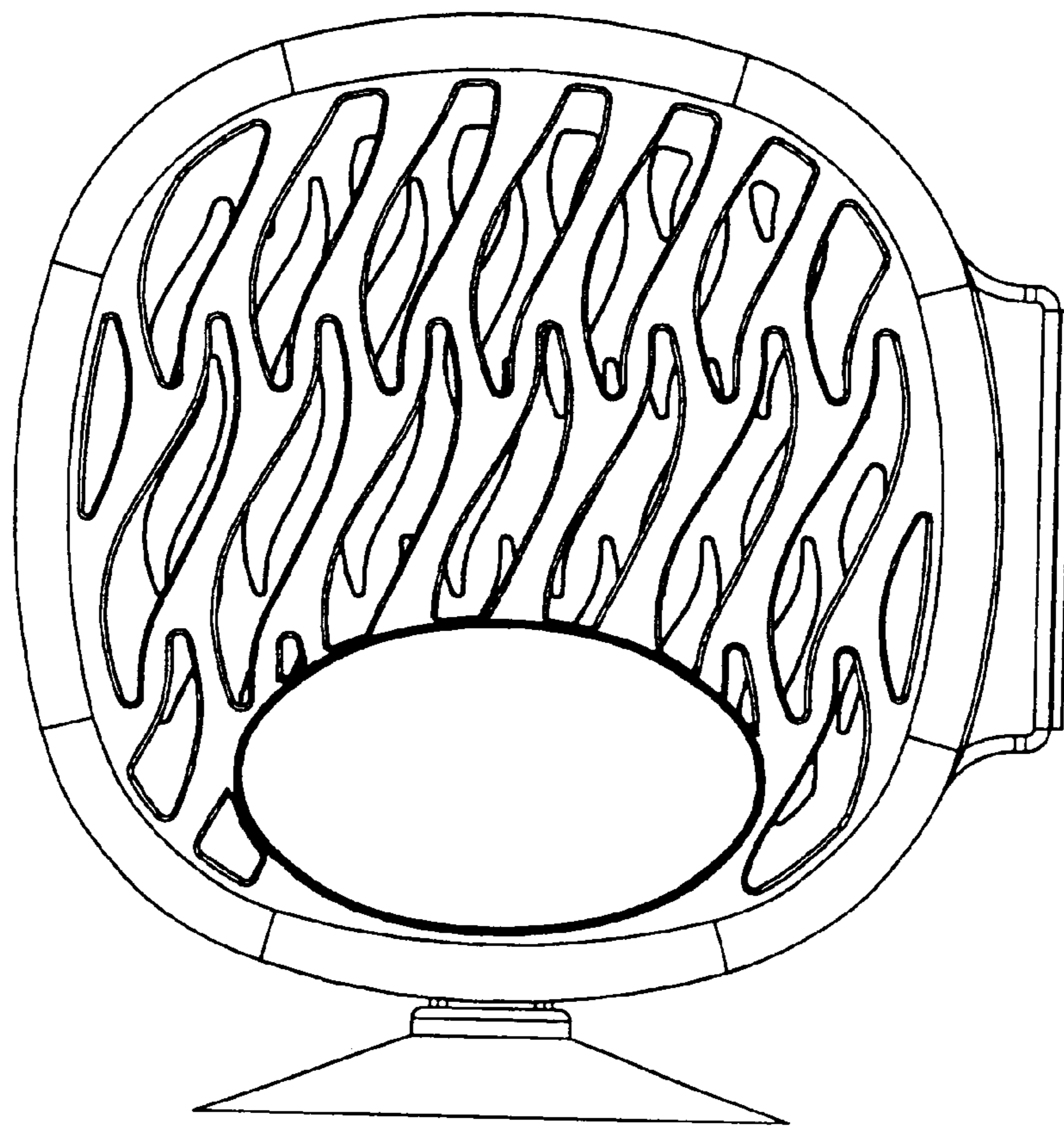


Fig. 1

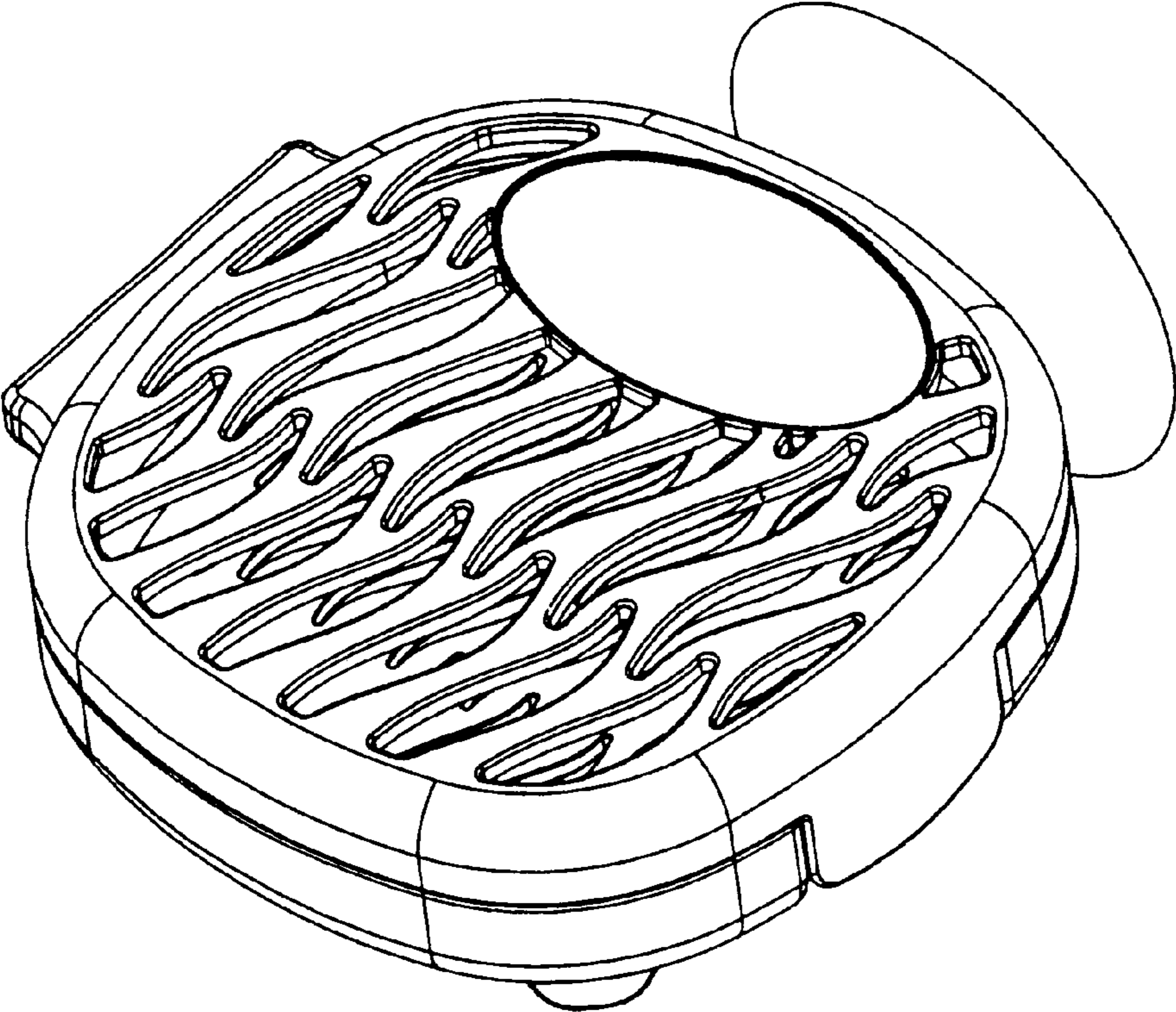


Fig. 2

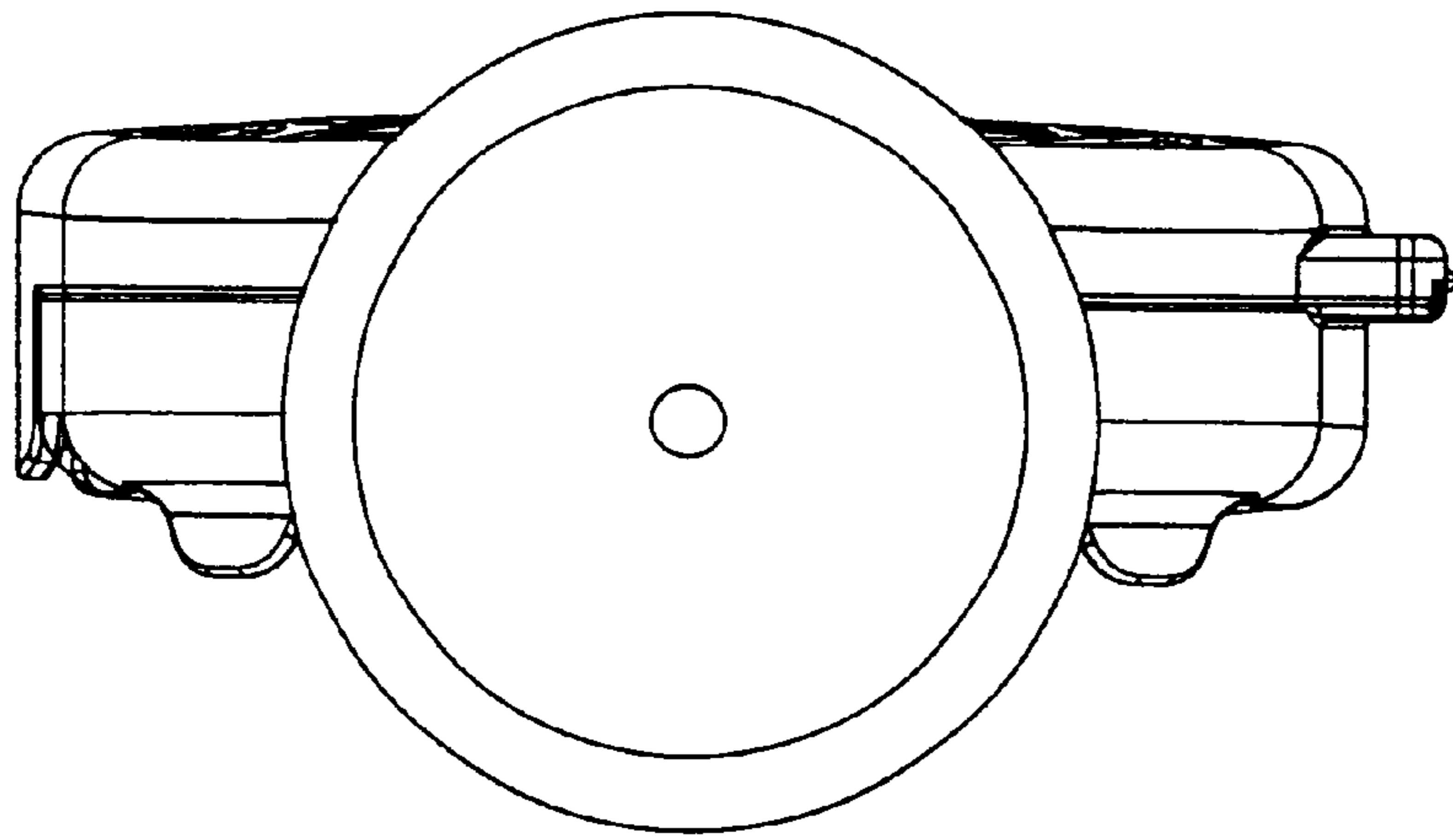


Fig. 3

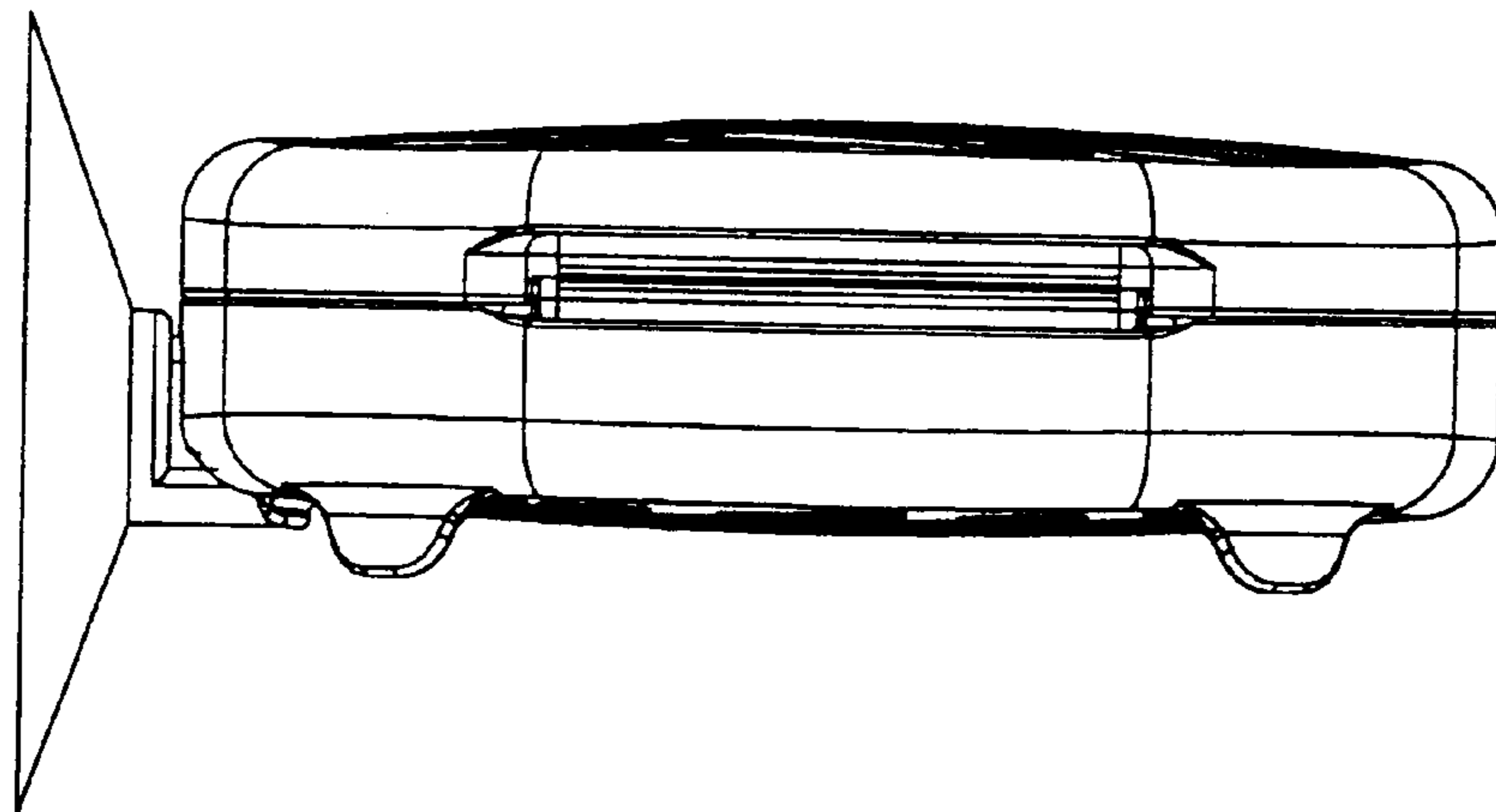


Fig. 4

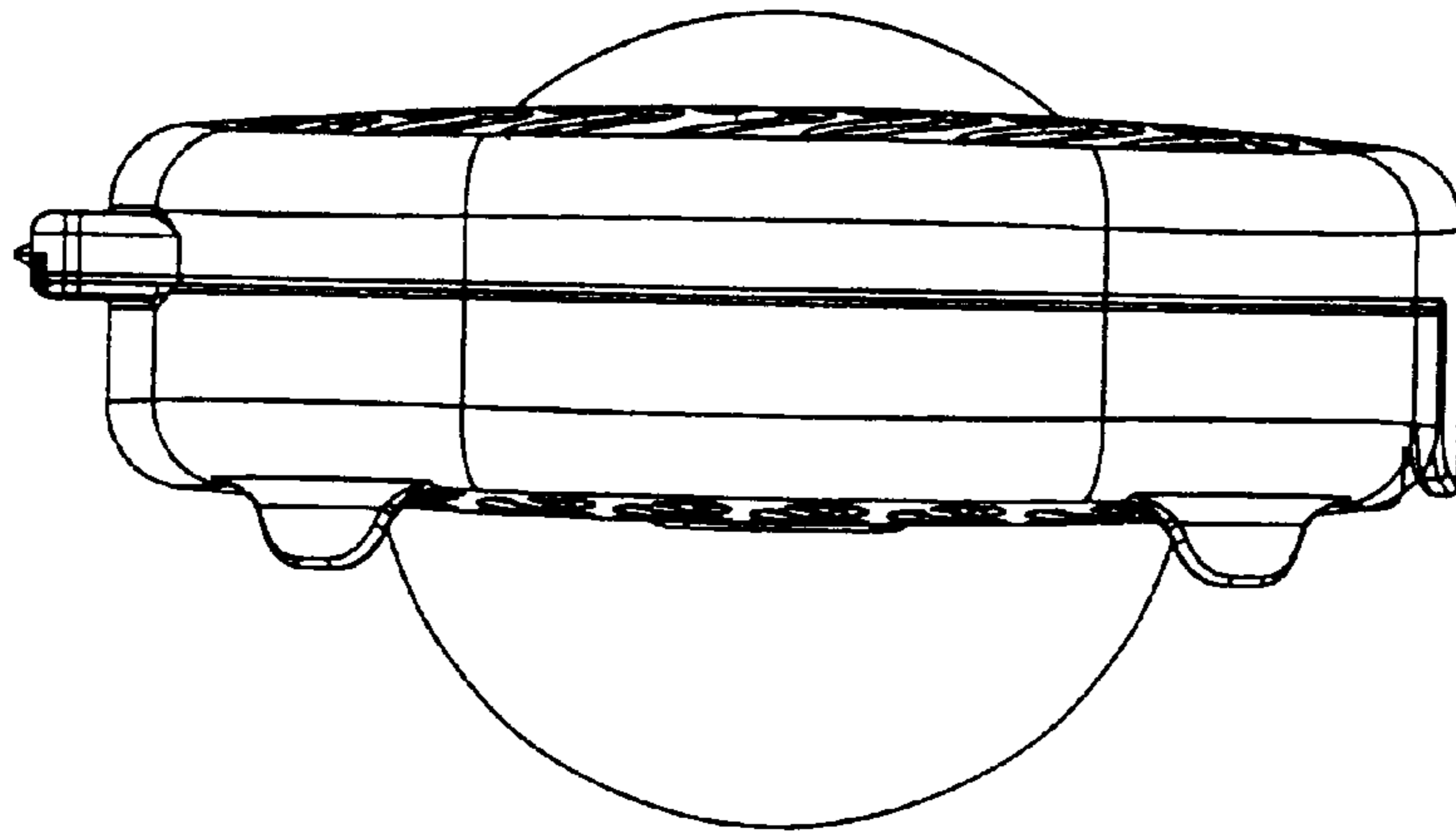


Fig. 5

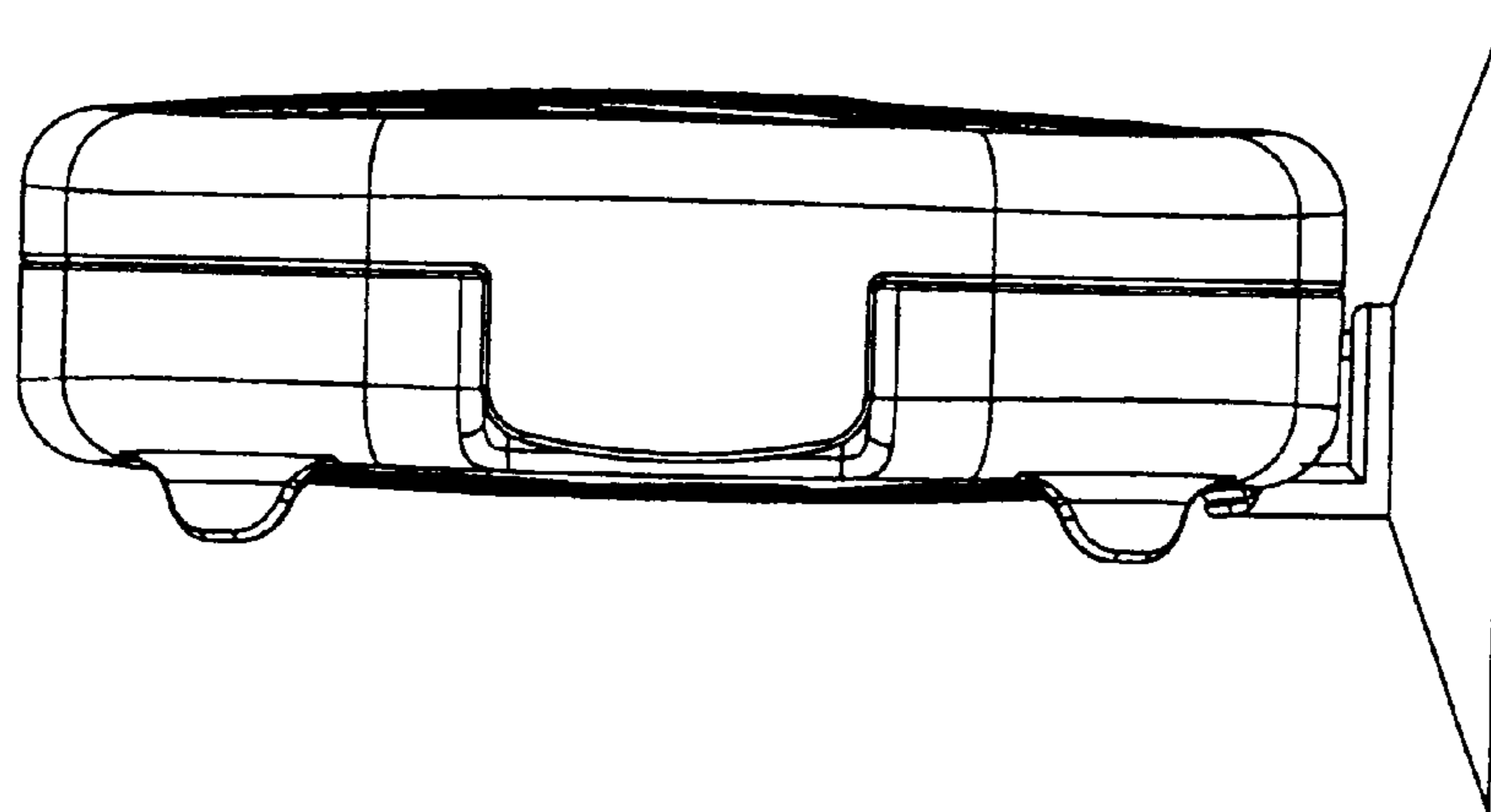


Fig. 6



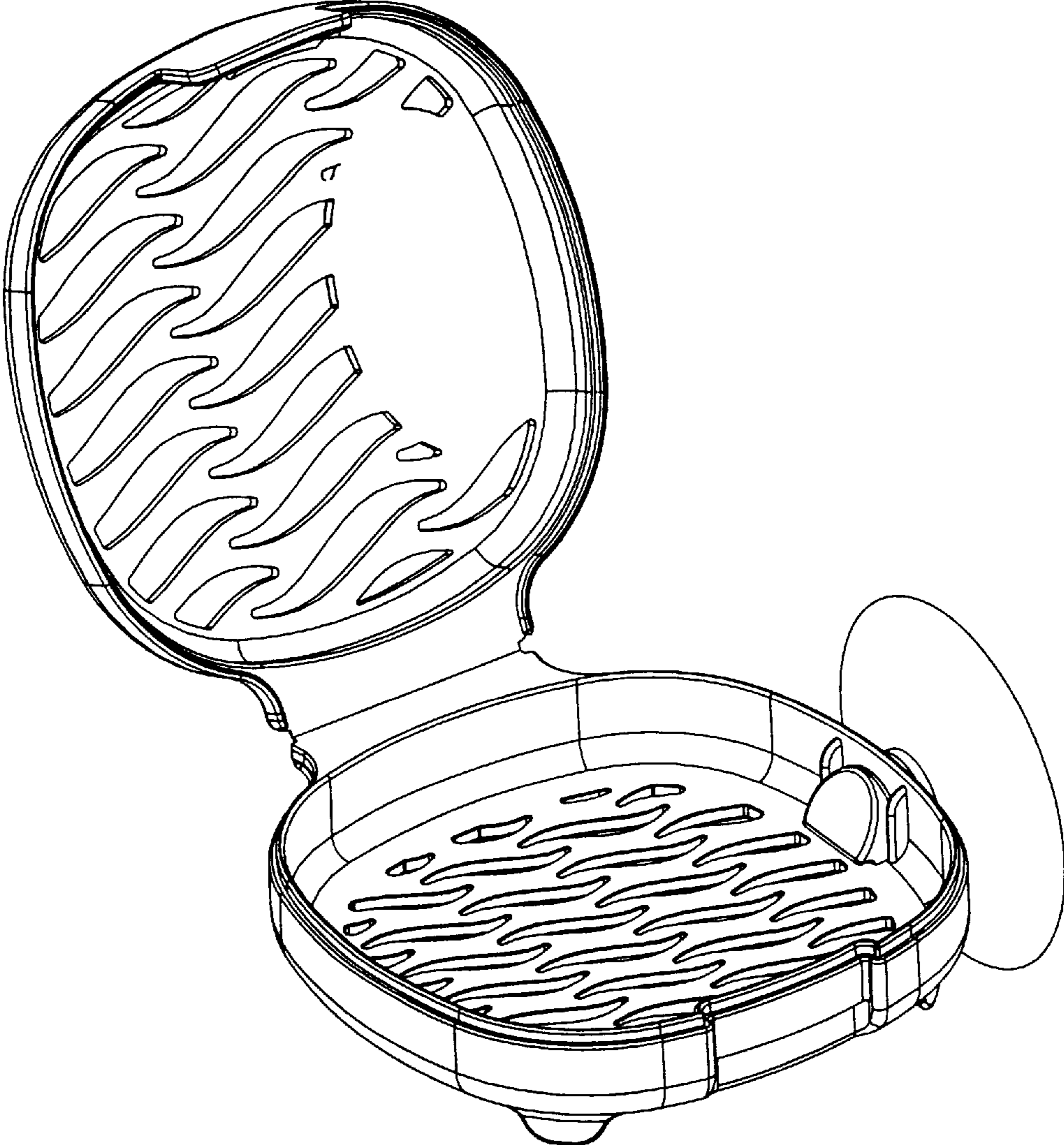


Fig. 7