



US00D533990S

(12) **United States Design Patent** (10) **Patent No.:** **US D533,990 S**
Mueller (45) **Date of Patent:** **** Dec. 26, 2006**

(54) **PORTION OF A SHOE UPPER**

D513,114 S * 12/2005 Jonsson D2/972
D519,273 S * 4/2006 Costantini D2/972

(75) Inventor: **Nicole Mueller**, Portland, OR (US)

OTHER PUBLICATIONS

(73) Assignee: **Nike, Inc.**, Beaverton, OR (US)

Nike Footwear Catalog (FA 90), pp. 56, 88, 114, published Dec. 1989, Beaverton, Oregon, U.S.A.

(**) Term: **14 Years**

Nike Footwear Catalog (SP 93), p. 32, published Jun. 1992, Beaverton, Oregon, U.S.A.

(21) Appl. No.: **29/255,090**

Nike Footwear Catalog (HO 95), p. 48, published Mar. 1995, Beaverton, Oregon, U.S.A.

(22) Filed: **Mar. 3, 2006**

Nike Footwear Catalog (LS 96), p. 49, published Aug. 1995, Beaverton, Oregon, U.S.A.

(51) **LOC (8) Cl.** **02-99**

Men's Nike Footwear Catalog (SP 02), p. 12, published Jun. 2001, Beaverton, Oregon, U.S.A.

(52) **U.S. Cl.** **D2/972**

(58) **Field of Classification Search** D2/902,
D2/907, 908, 943, 944, 969, 972-974; 36/45,
36/50.1, 77 M, 77 R, 83, 88, 113, 114, 126-131
See application file for complete search history.

* cited by examiner

Primary Examiner—Dominic Simone

(56) **References Cited**

(74) *Attorney, Agent, or Firm*—TraskBritt, P.C.

U.S. PATENT DOCUMENTS

(57) **CLAIM**

806,267 A	12/1905	King	
D93,590 S	10/1934	Wertheim	
D94,437 S	1/1935	Napier	
D96,667 S	8/1935	Horn	
D119,496 S	3/1940	Haan	
2,247,459 A	7/1941	Wolfhard et al.	
D220,464 S	4/1971	Hayashi	
3,742,622 A	7/1973	Dassler	
D272,012 S	1/1984	Trevisani	
D273,340 S	4/1984	Gamm	
4,594,799 A	6/1986	Lin	
4,756,098 A	7/1988	Boggia	
4,949,476 A	8/1990	Anderie	
D364,498 S	11/1995	Teague	
D380,077 S	* 6/1997	Preskar et al.	D2/969
D380,078 S	6/1997	Von Conta	
D393,360 S	* 4/1998	Aveni et al.	D2/972
D395,944 S	7/1998	Avar	
D420,783 S	2/2000	Brady et al.	
D473,045 S	4/2003	Nason	
D487,965 S	4/2004	Hardy	
D496,527 S	9/2004	Roulo	
D498,355 S	11/2004	Fullum	
D499,872 S	12/2004	Wozniak	
D511,608 S	11/2005	Carnes	
D511,616 S	11/2005	Fullum	

The ornamental design for a portion of a shoe upper, as shown and described.

DESCRIPTION

FIG. 1 is a perspective view of a portion of a shoe upper showing my new design;

FIG. 2 is a side view of the portion of a shoe upper shown in FIG. 1;

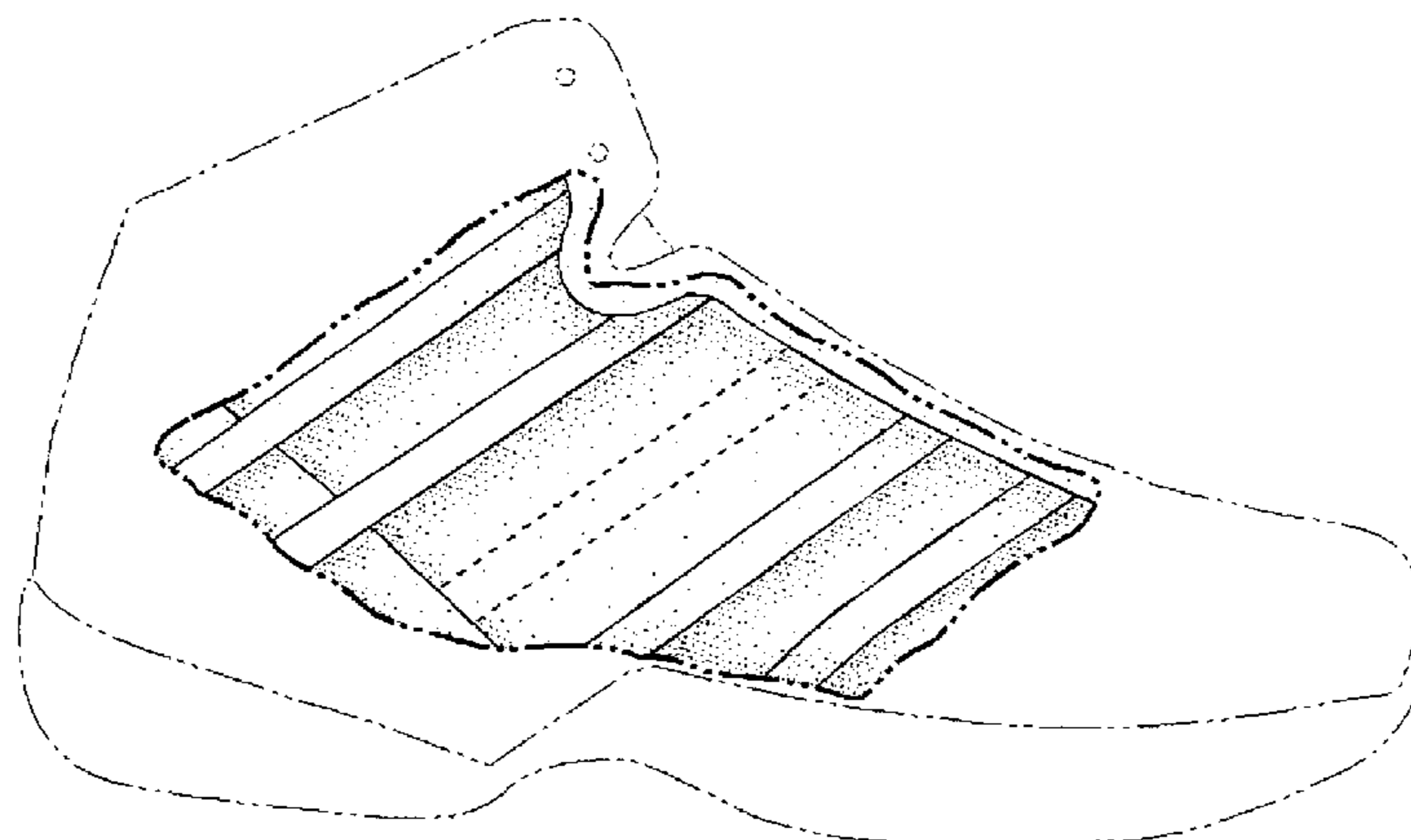
FIG. 3 is a front view of the portion of a shoe upper shown in FIG. 1;

FIG. 4 is a rear view of the portion of a shoe upper shown in FIG. 1; and,

FIG. 5 is a top view of the portion of a shoe upper shown in FIG. 1.

The two even broken lines within the shaded area represent stitching. The uneven broken line immediately adjacent to the shaded area represents the bounds of the claimed design. All other uneven broken lines represent the remaining portion of the shoe. The uneven broken line representations in FIGS. 1-5 are for illustrative purposes only and form no part of the claimed design.

1 Claim, 2 Drawing Sheets



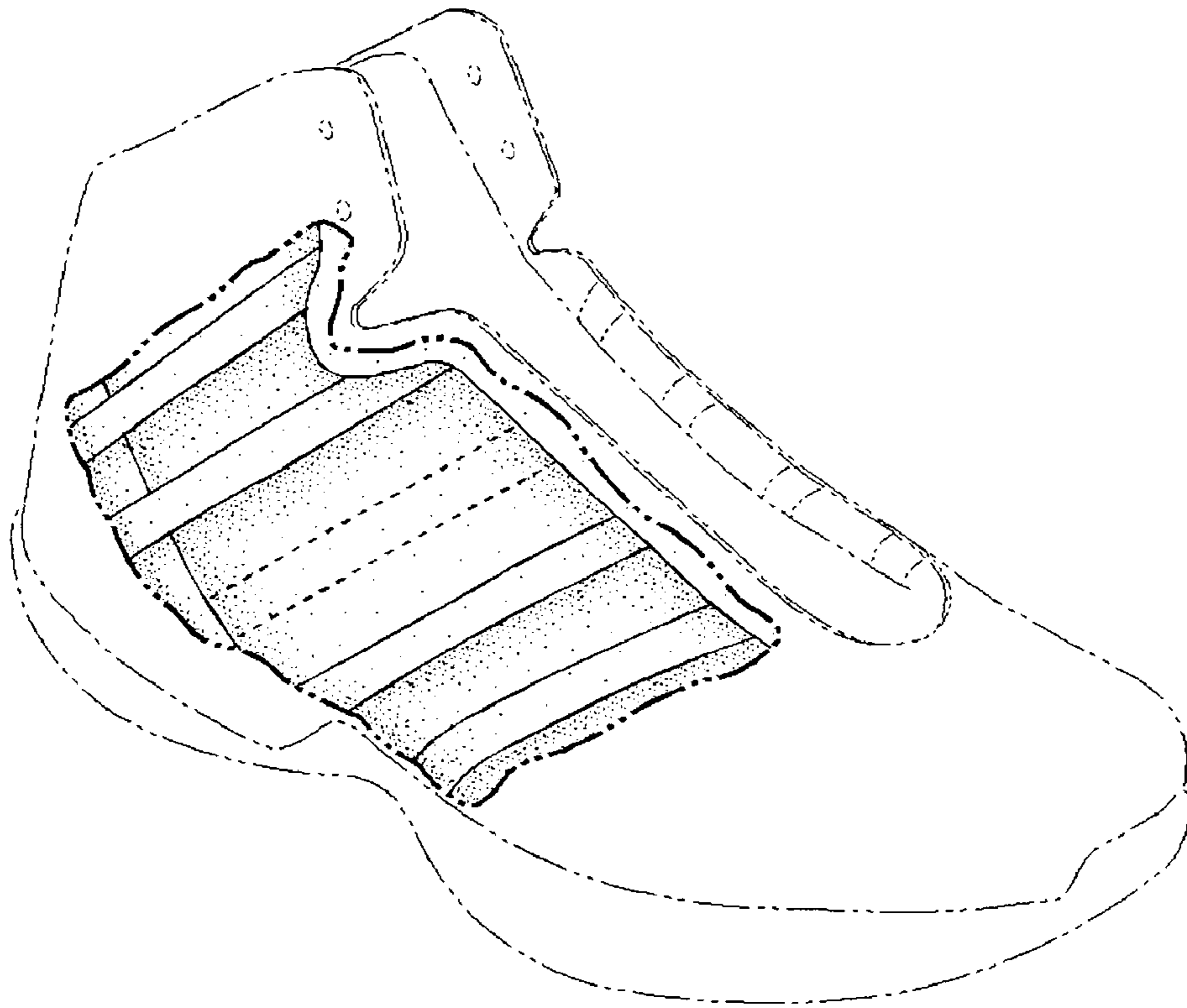


FIG. 1

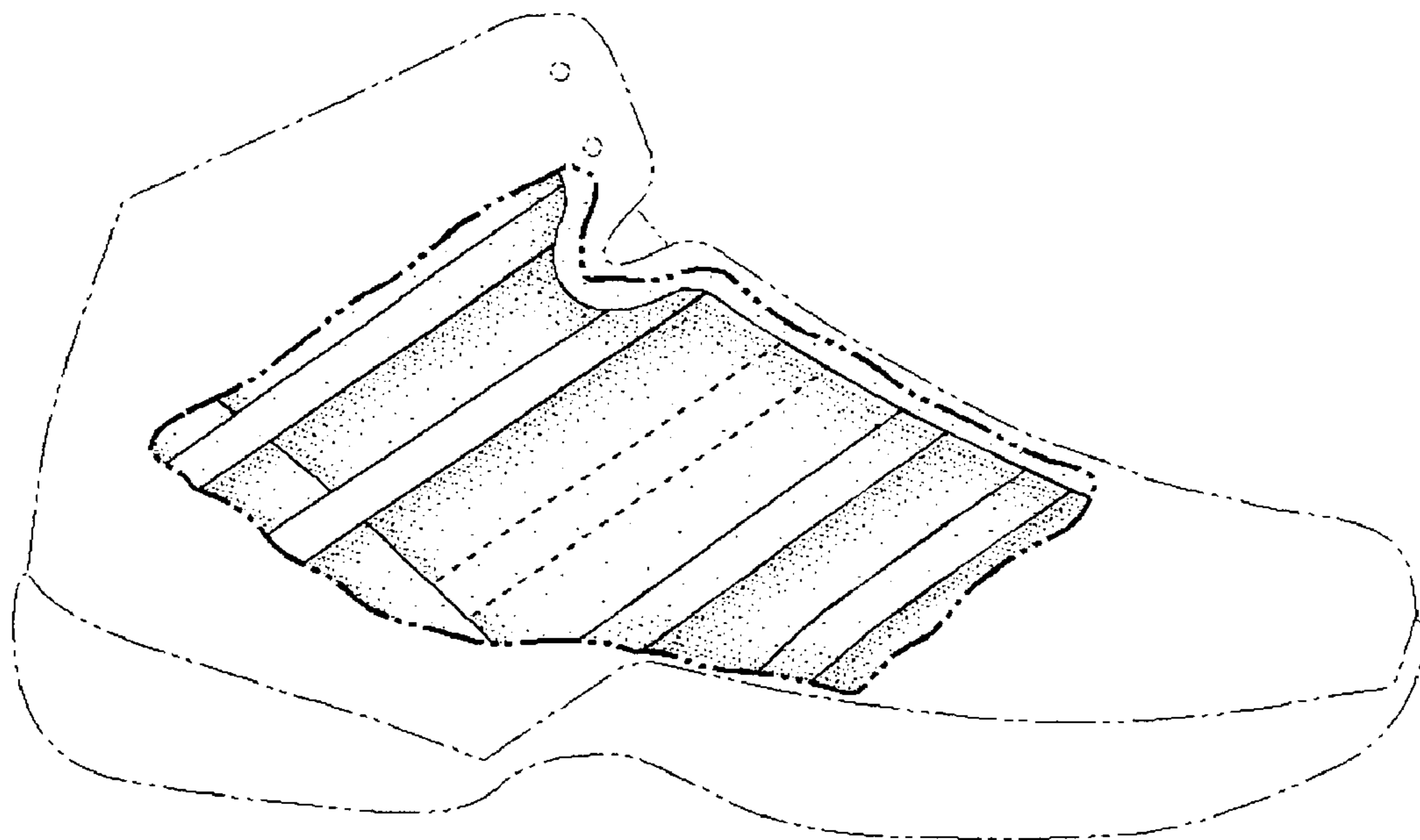


FIG. 2

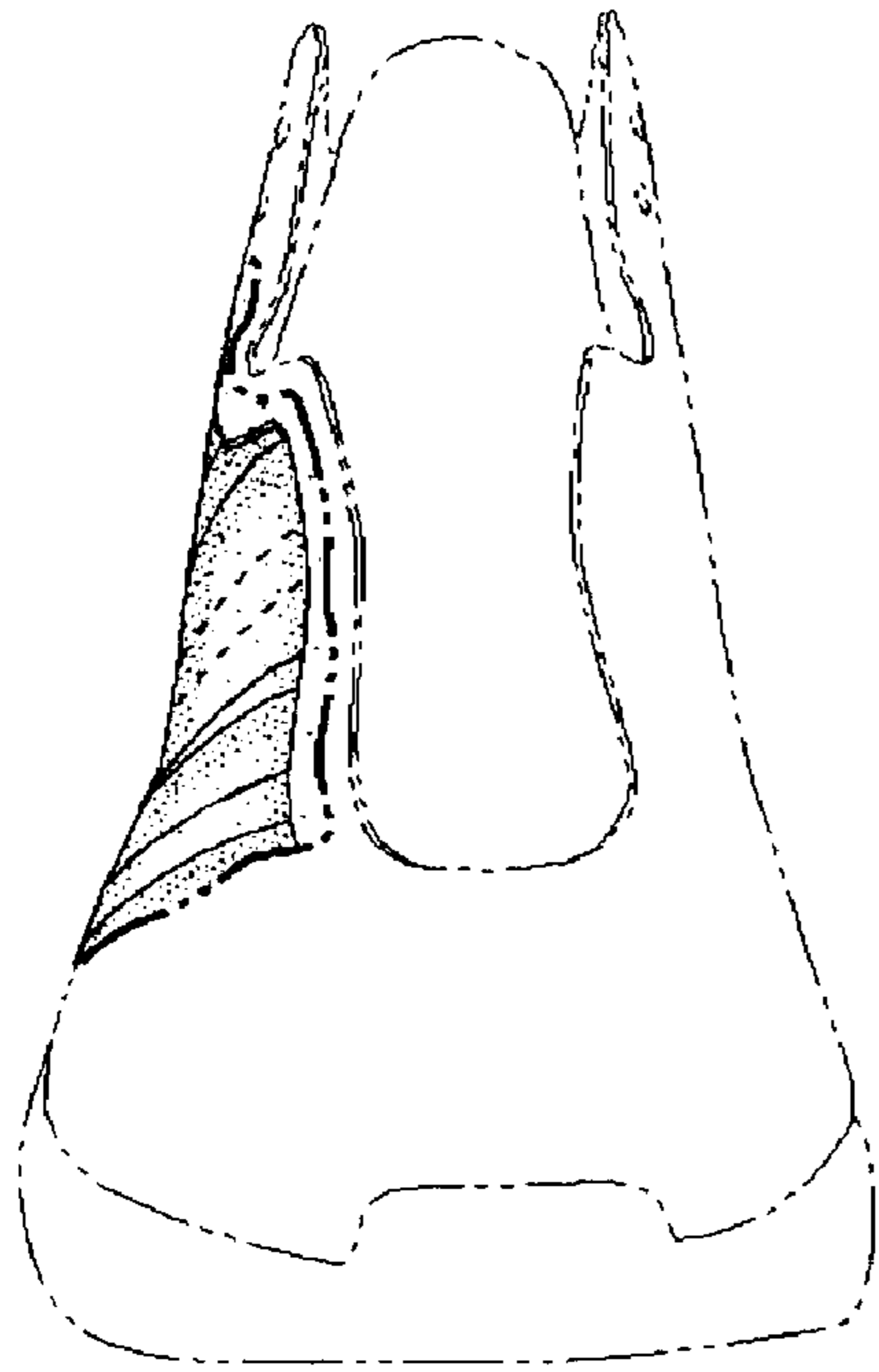


FIG. 3

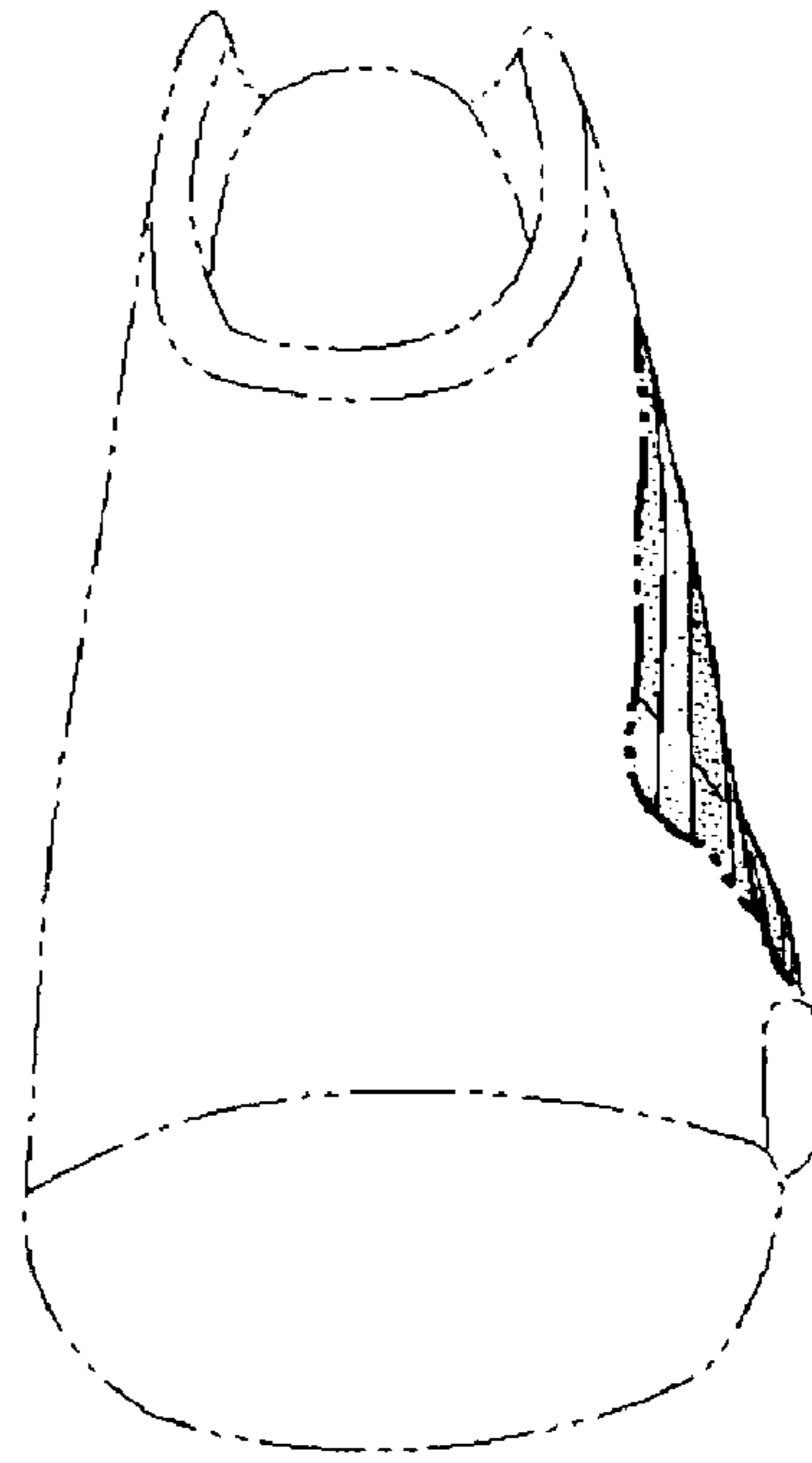


FIG. 4

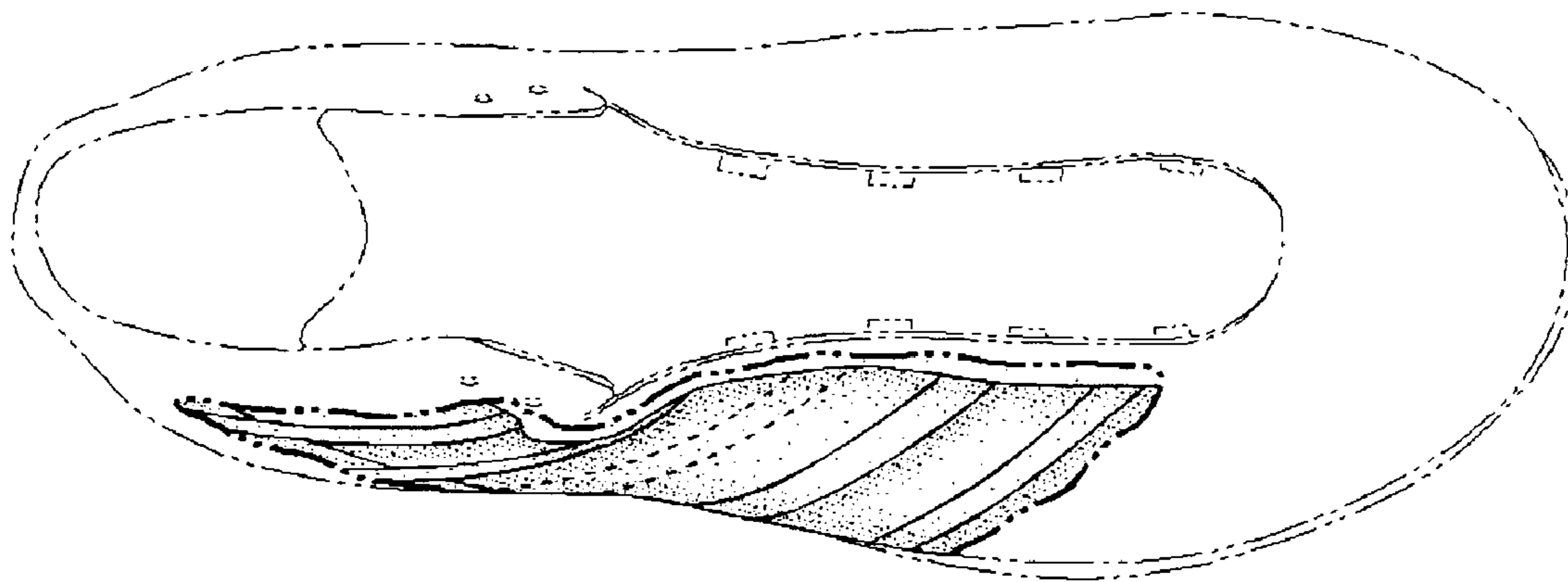


FIG. 5