



US00D533977S

(12) **United States Design Patent**
Bensussan et al.

(10) **Patent No.: US D533,977 S**

(45) **Date of Patent: ** Dec. 19, 2006**

(54) **UNIBODY DUAL MOP BUCKET**

D489,852 S * 5/2004 Perelli D32/53
2002/0120997 A1 9/2002 Alt 15/261

(75) Inventors: **Bernard Bensussan**, Monroe, CT (US);
Ronald Michael Callanan, Seymour,
CT (US)

FOREIGN PATENT DOCUMENTS

DE G 93 16 851.9 3/1994

(73) Assignee: **Unger Marketing International, LLC**,
Bridgeport, CT (US)

* cited by examiner

(**) Term: **14 Years**

Primary Examiner—Pamela Burgess
(74) *Attorney, Agent, or Firm*—Ohlandt, Greeley, Ruggiero
& Perle, L.L.C.

(21) Appl. No.: **29/234,230**

(57) **CLAIM**

(22) Filed: **Jul. 15, 2005**

The ornamental design for a unibody dual mop bucket, as
shown and described.

(51) **LOC (8) Cl.** **07-07**

(52) **U.S. Cl.** **D32/53**

(58) **Field of Classification Search** D32/53,
D32/53.1, 54; 15/260–261, 263–264; 220/604,
220/608, 669, 735, 760, 768

DESCRIPTION

See application file for complete search history.

FIG. 1 is a top perspective view of a unibody dual mop
bucket showing our new design;
FIG. 2 is a first end view thereof;
FIG. 3 is a second end view thereof;
FIG. 4 is a first side view thereof, the opposite side being
identical thereto;
FIG. 5 is a top plan view thereof;
FIG. 6 is a top perspective view thereof; and,
FIG. 7 is a first side view thereof.

(56) **References Cited**

U.S. PATENT DOCUMENTS

5,548,865 A 8/1996 Pagani 15/262
5,918,343 A 7/1999 Young 15/262
D417,051 S * 11/1999 Dickinson et al. D32/53
6,006,397 A * 12/1999 Williams et al. 15/261
D426,361 S 6/2000 Young D32/53
6,283,170 B1 9/2001 Robinson 141/1
D458,723 S * 6/2002 Malvasio D32/53.1

The broken lines shown in all the views are for illustrative
purposes only and form no part of the claimed design.

1 Claim, 7 Drawing Sheets

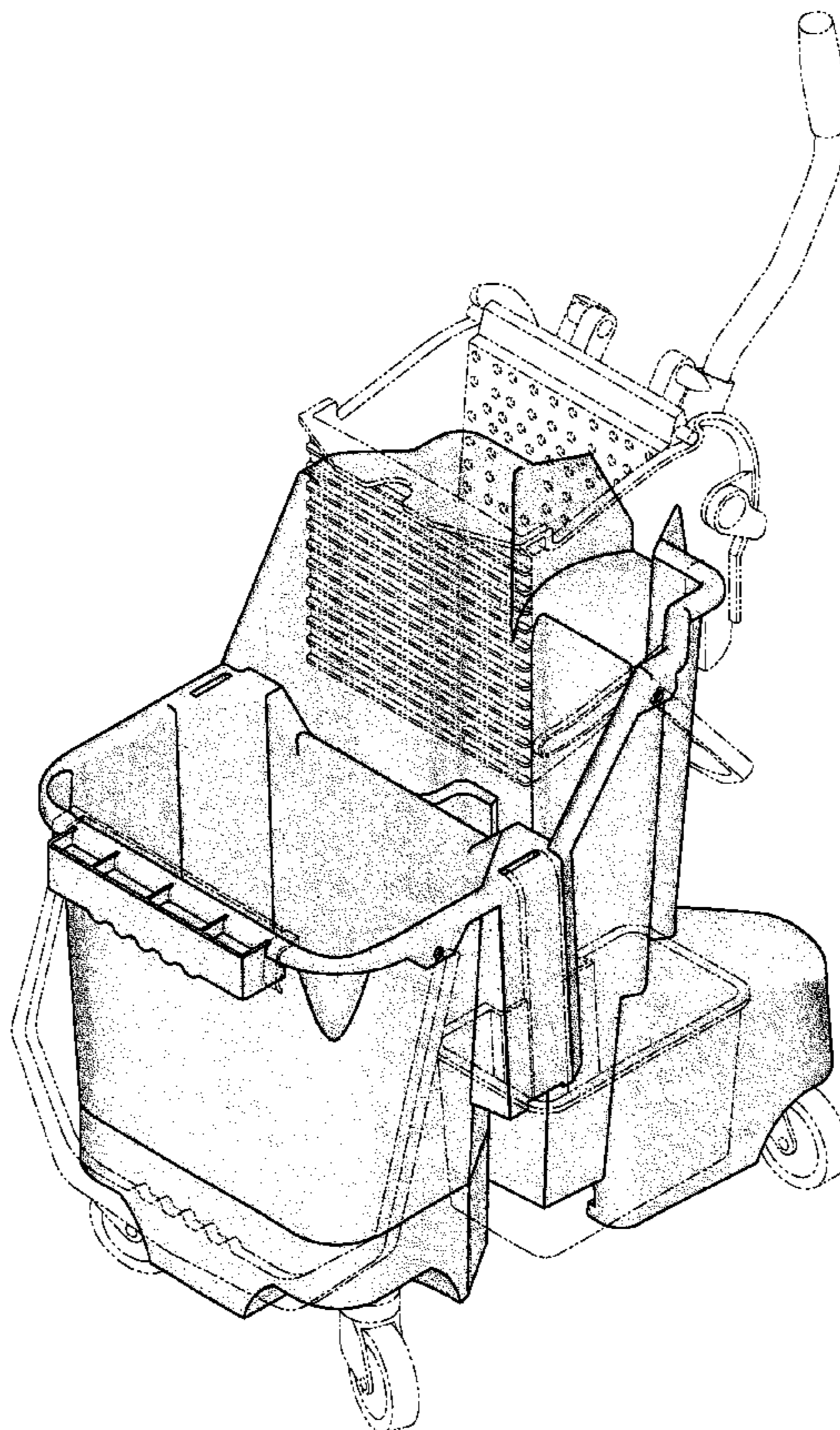
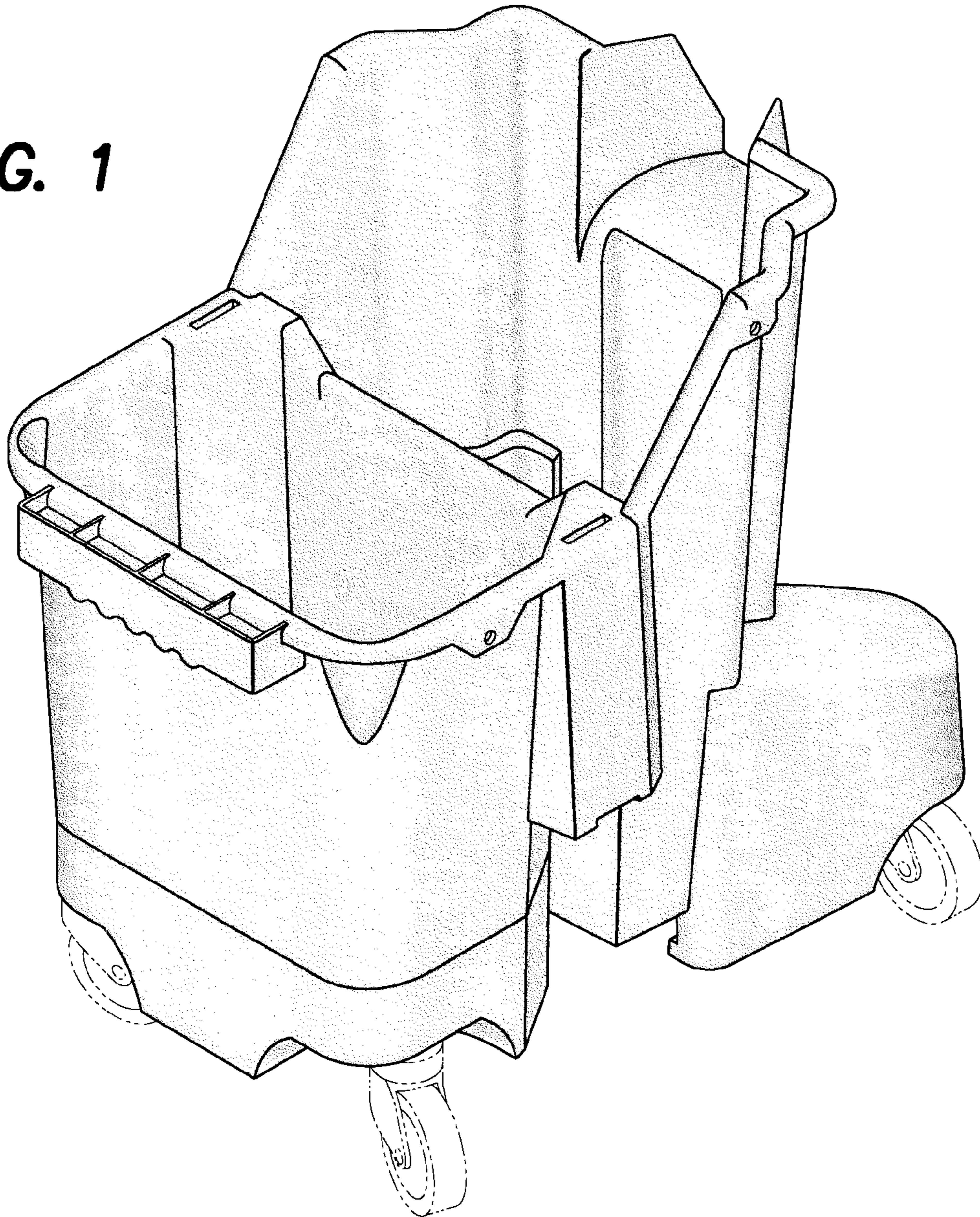


FIG. 1



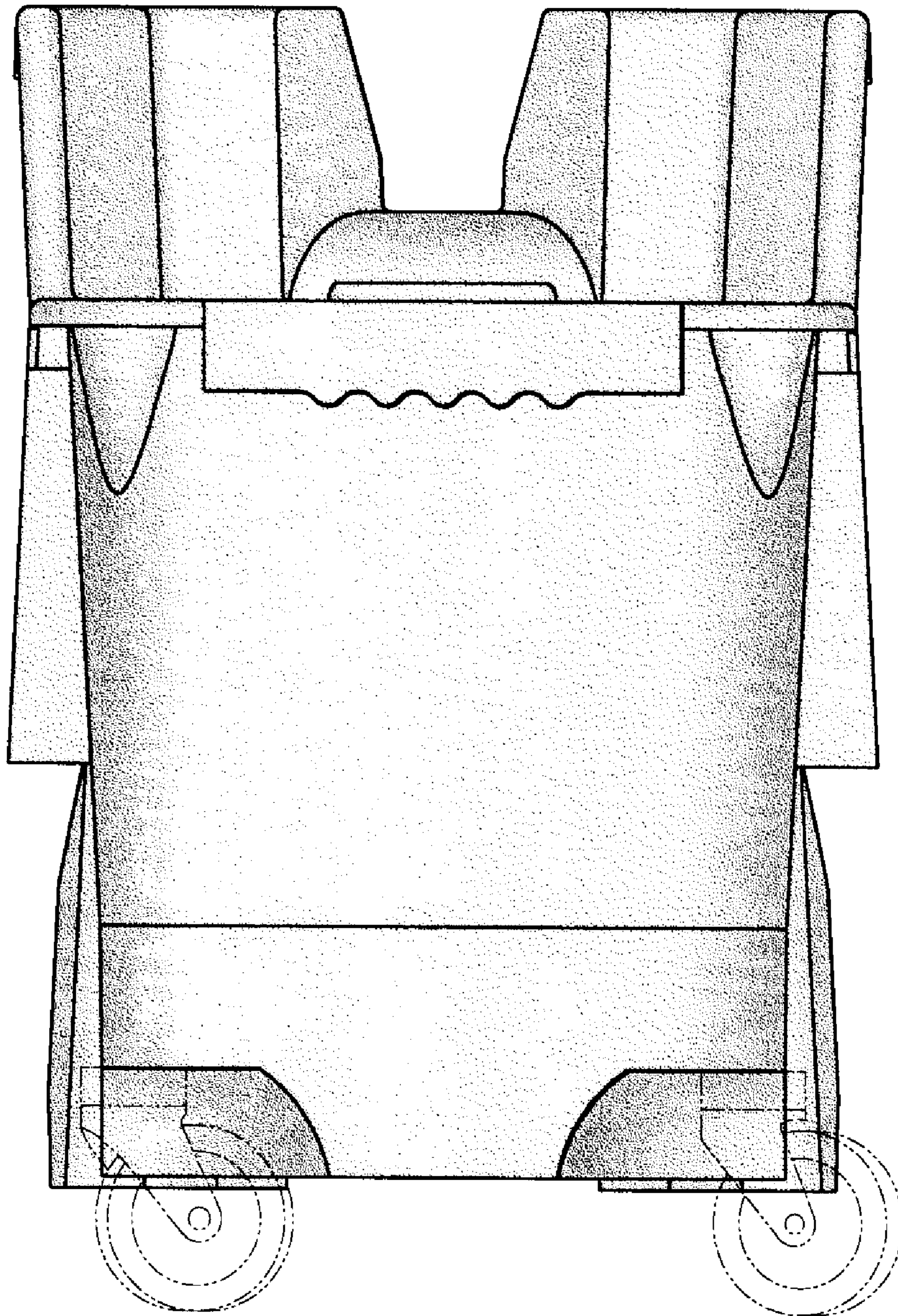


FIG. 2

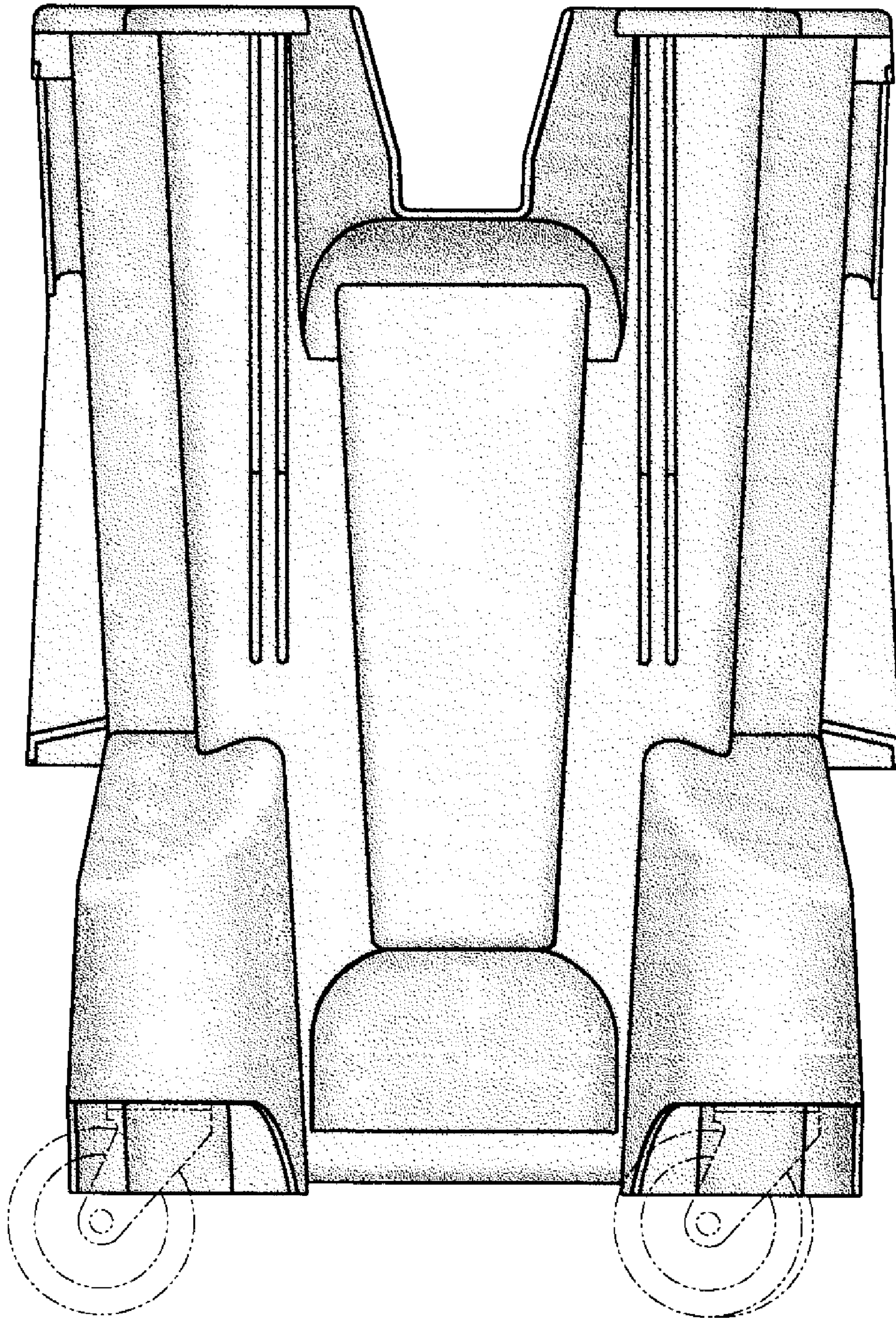


FIG. 3

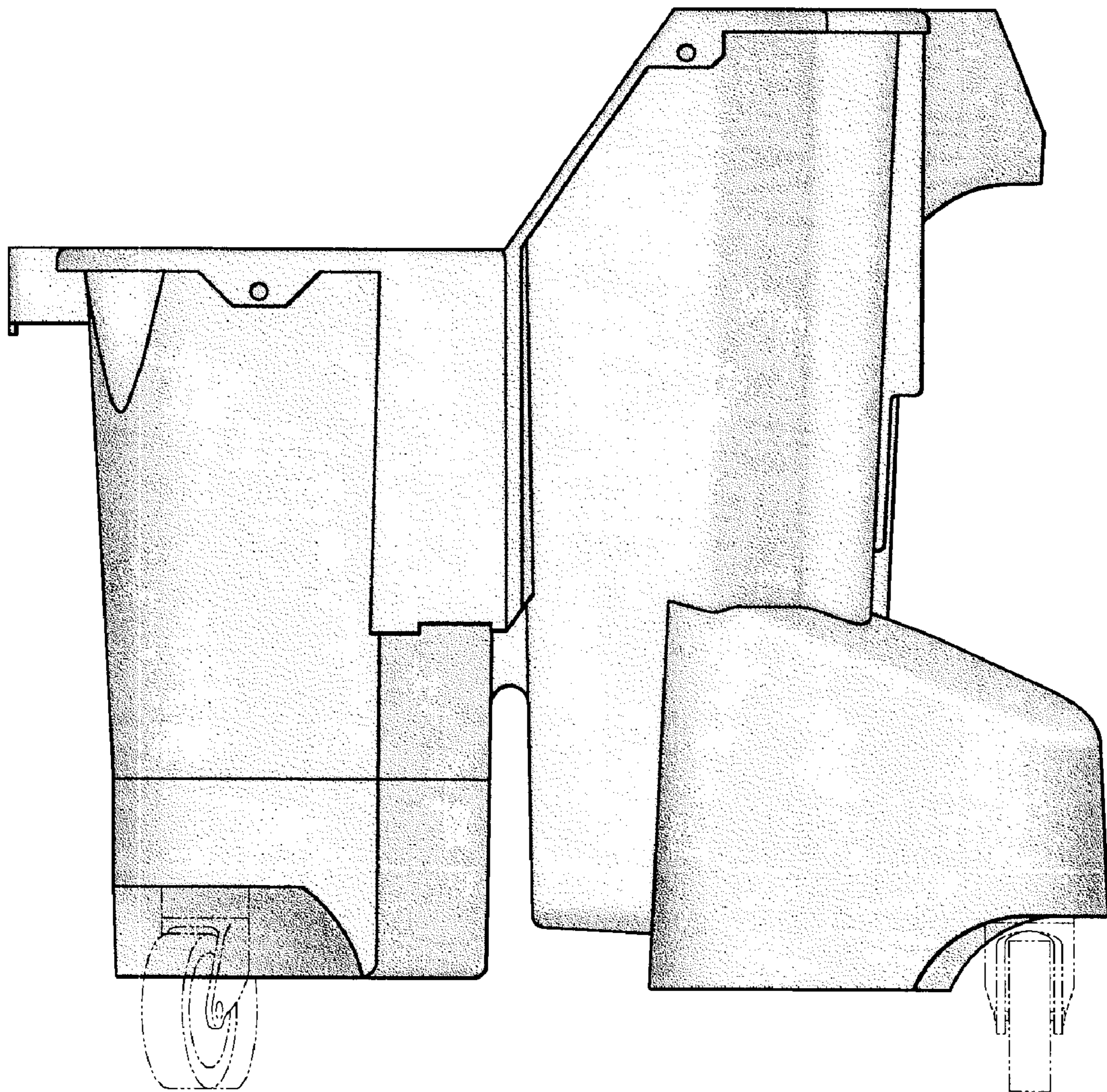


FIG. 4

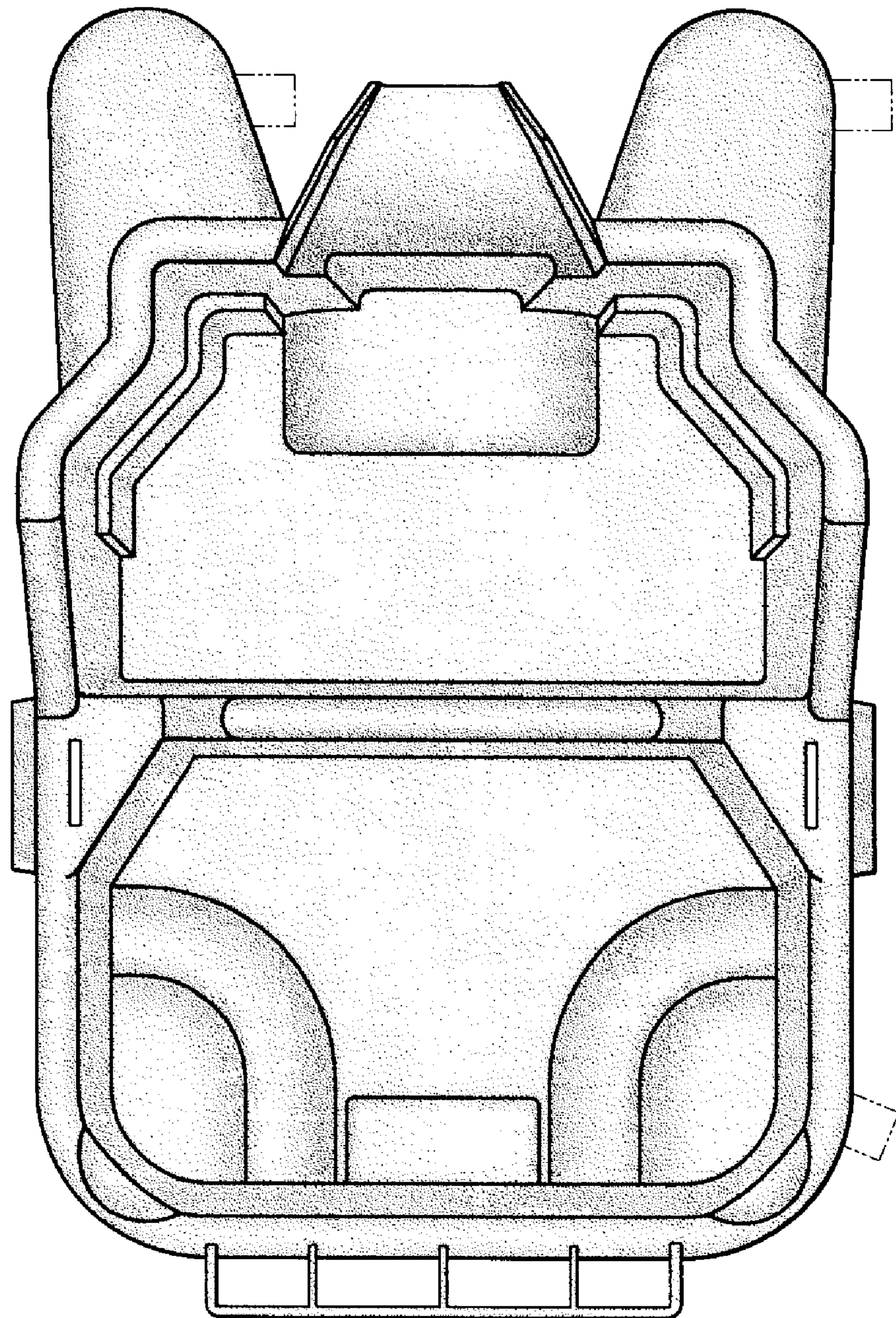
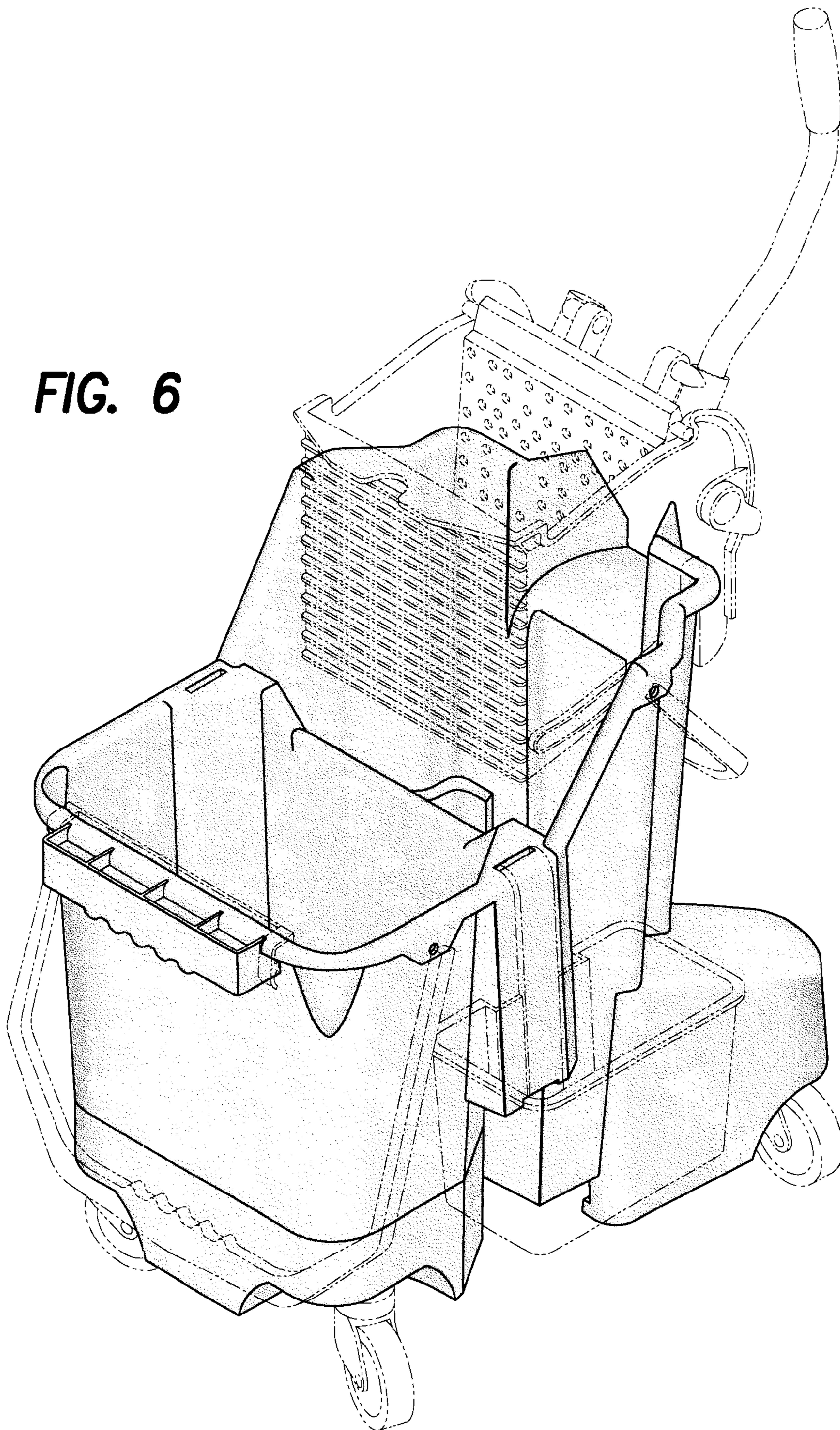


FIG. 5

FIG. 6



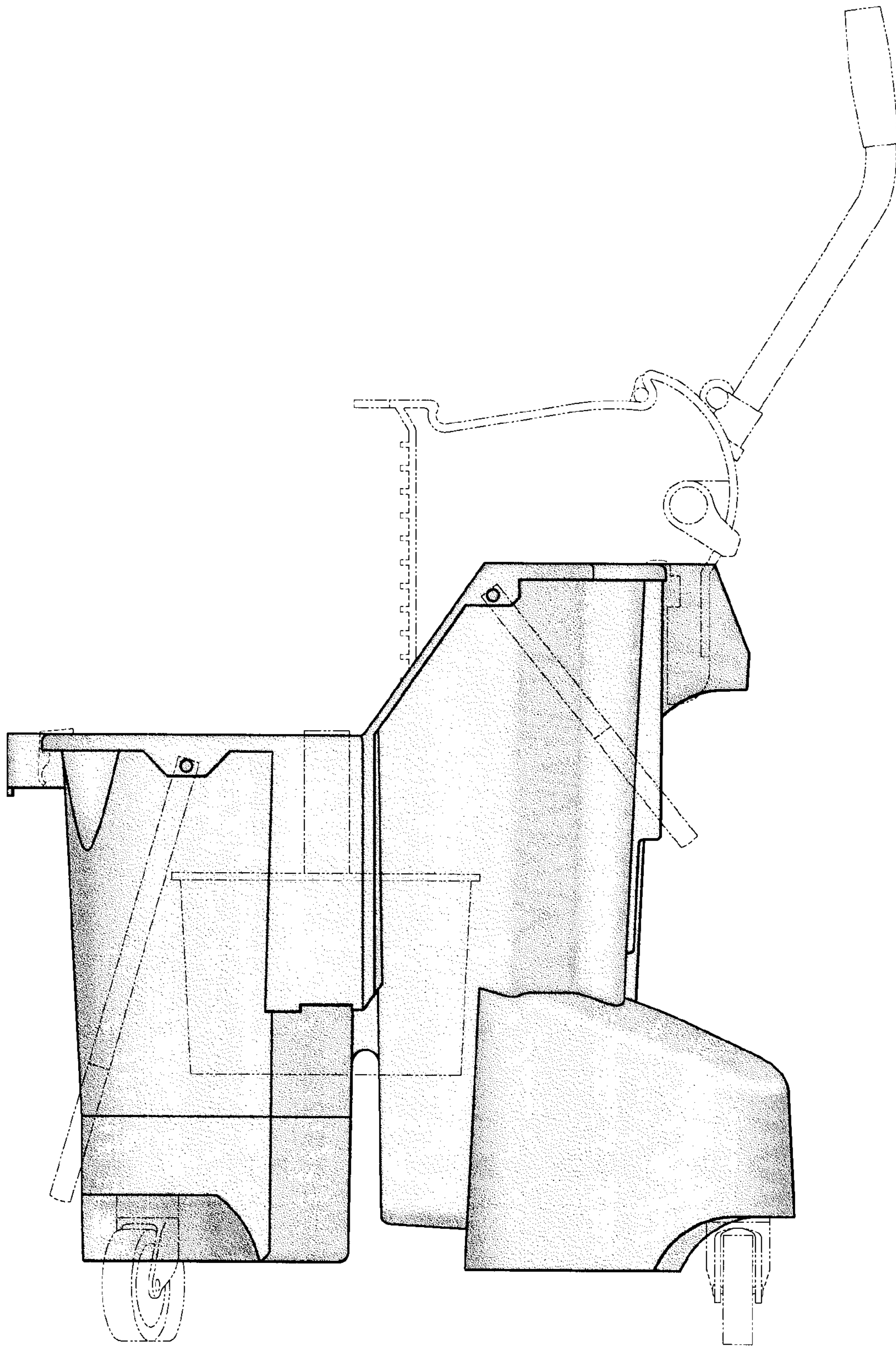


FIG. 7