



US00D533976S

(12) **United States Design Patent**
Luebbering et al.

(10) **Patent No.:** **US D533,976 S**

(45) **Date of Patent:** **** Dec. 19, 2006**

(54) **VACUUM CLEANER HOUSING**

(75) Inventors: **Greg Luebbering**, Heyworth, IL (US);
Arnie Sepke, Hudson, IL (US); **Vince Bobrosky**, Normal, IL (US)

(73) Assignee: **Electrolux Home Care Products Ltd.**,
Cleveland, OH (US)

(**) Term: **14 Years**

(21) Appl. No.: **29/225,753**

(22) Filed: **Mar. 21, 2005**

(51) **LOC (8) Cl.** **15-05**

(52) **U.S. Cl.** **D32/31**

(58) **Field of Classification Search** D32/15-18,
D32/21, 22-24, 31; 15/314, 324, 344, 329,
15/347, 320-321, 412, DIG. 1, 353-354,
15/301, 385, 93.1, 405, 330, 415.1, 327.5,
15/323

See application file for complete search history.

(56) **References Cited**

U.S. PATENT DOCUMENTS

| | | | | | |
|------------|---|---------|---------------|-------|--------|
| D305,269 S | * | 12/1989 | Dyson | | D32/22 |
| D455,876 S | * | 4/2002 | Arney et al. | | D32/22 |
| D481,180 S | * | 10/2003 | Fujii | | D32/22 |
| D487,172 S | * | 2/2004 | Oh et al. | | D32/22 |
| D494,330 S | * | 8/2004 | Downey et al. | | D32/31 |

| | | | | | |
|------------|---|---------|-------------------|-------|--------|
| D494,718 S | * | 8/2004 | Rosenzweig et al. | | D32/31 |
| D494,719 S | * | 8/2004 | Rosenzweig et al. | | D32/31 |
| D494,720 S | * | 8/2004 | Rosenzweig et al. | | D32/31 |
| D509,934 S | * | 9/2005 | Santiago et al. | | D32/31 |
| D510,465 S | * | 10/2005 | Takahashi et al. | | D32/22 |
| D514,759 S | * | 2/2006 | Archer | | D32/31 |
| D516,259 S | * | 2/2006 | Richardson et al. | | D32/22 |

* cited by examiner

Primary Examiner—Ruth McInroy

(74) *Attorney, Agent, or Firm*—Hunton & Williams

(57) **CLAIM**

We claim the ornamental design for a vacuum cleaner housing, as shown and described.

DESCRIPTION

FIG. 1 is a front isometric view of a vacuum cleaner housing showing the claimed design;

FIG. 2 is a rear isometric view of the vacuum cleaner housing;

FIG. 3 is a front view of the vacuum cleaner housing;

FIG. 4 is a rear view of the vacuum cleaner housing;

FIG. 5 is a right view of the vacuum cleaner housing;

FIG. 6 is a left view of the vacuum cleaner housing;

FIG. 7 is a top view of the vacuum cleaner housing; and,

FIG. 8 is a bottom view of the vacuum cleaner housing.

The details shown in broken lines form no part of the claimed design.

1 Claim, 4 Drawing Sheets

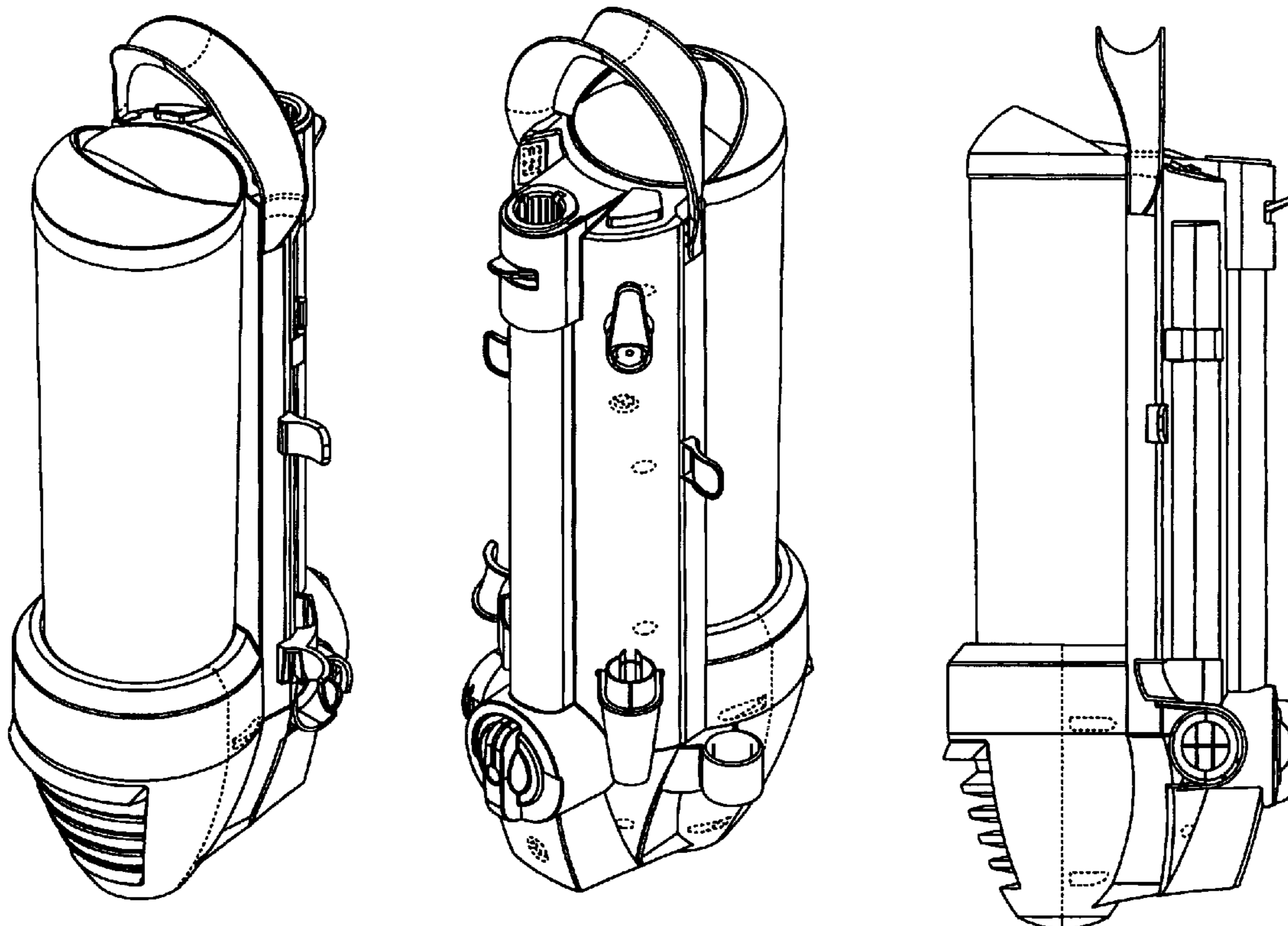


FIG. 2

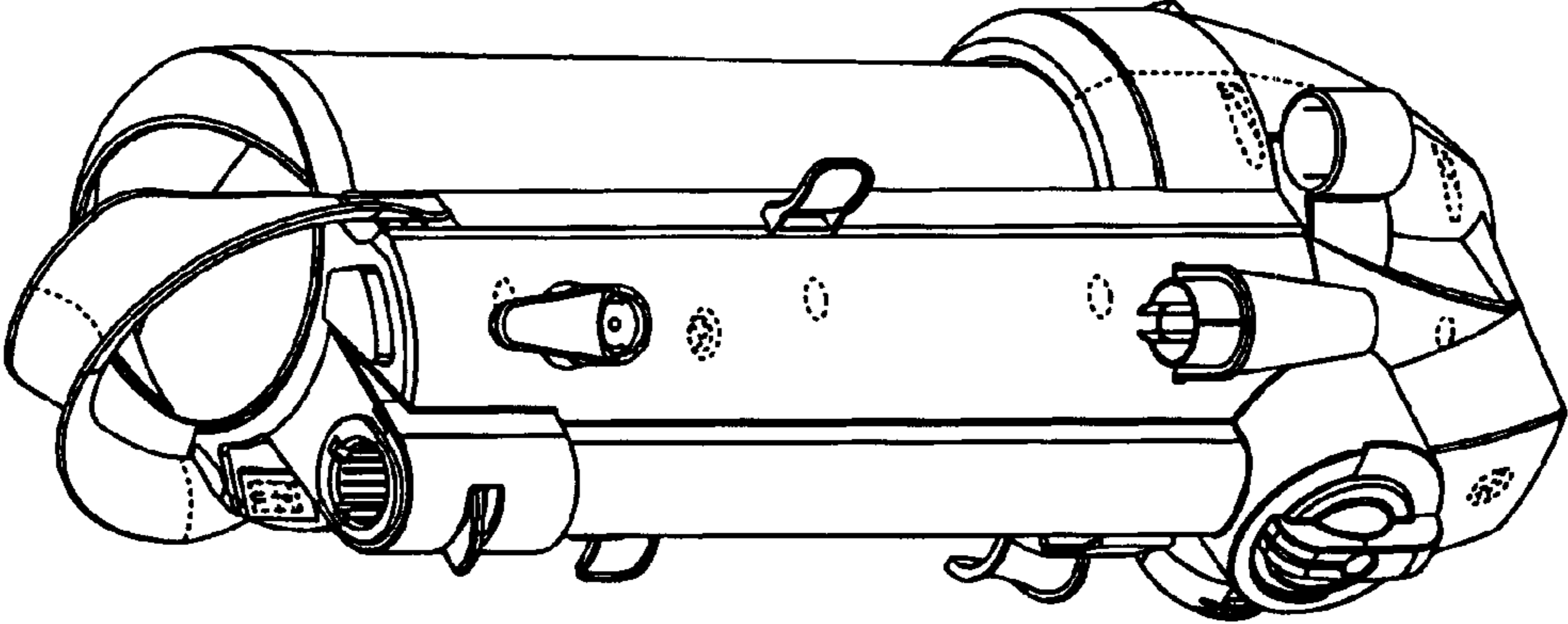
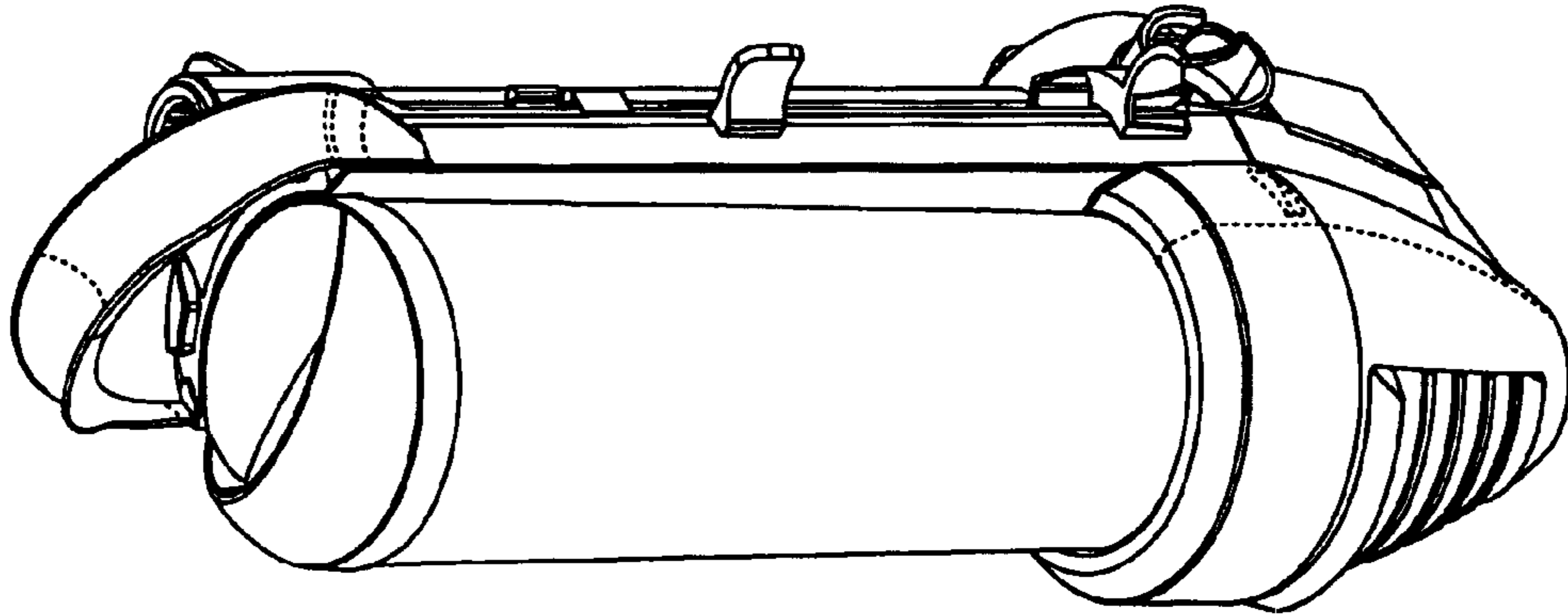


FIG. 1



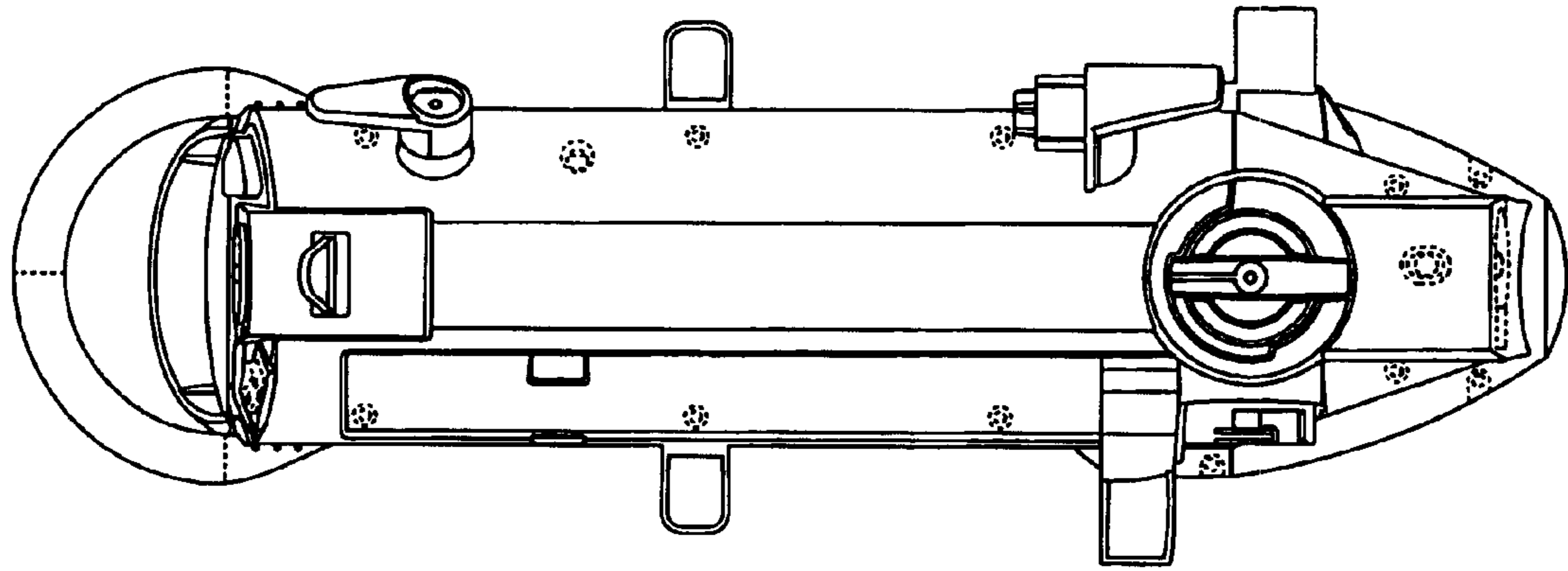


FIG. 4

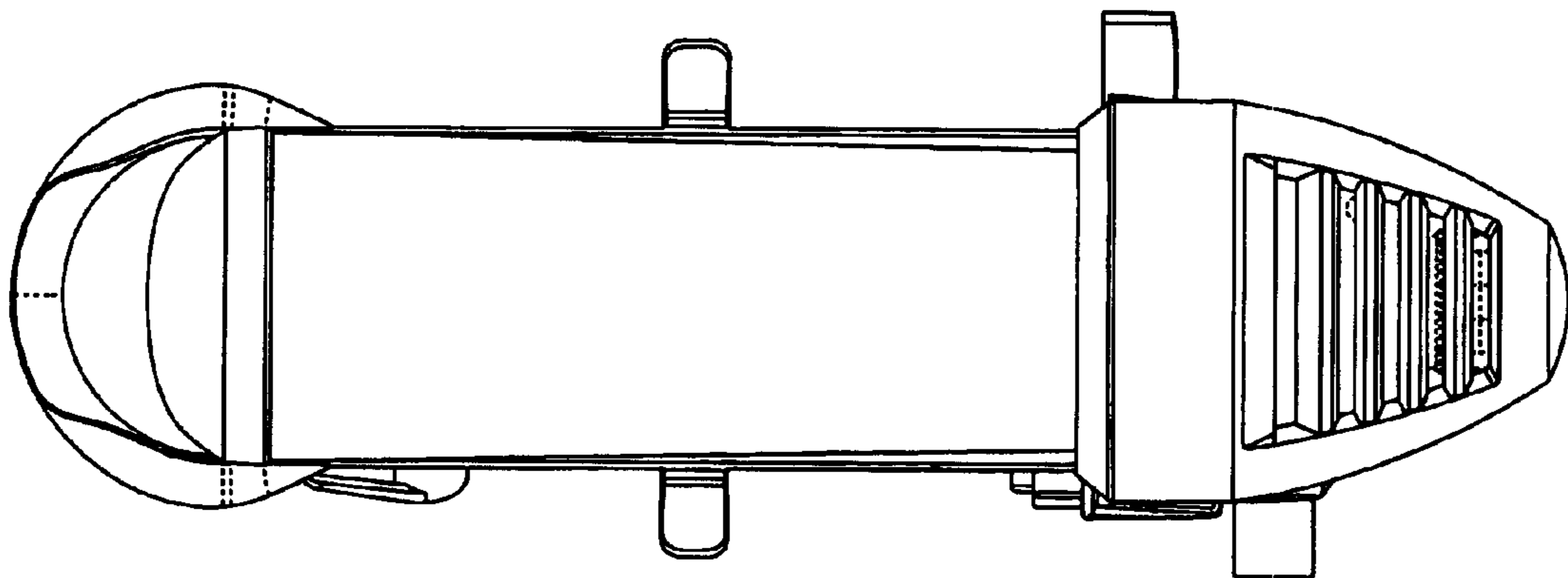


FIG. 3

FIG. 6

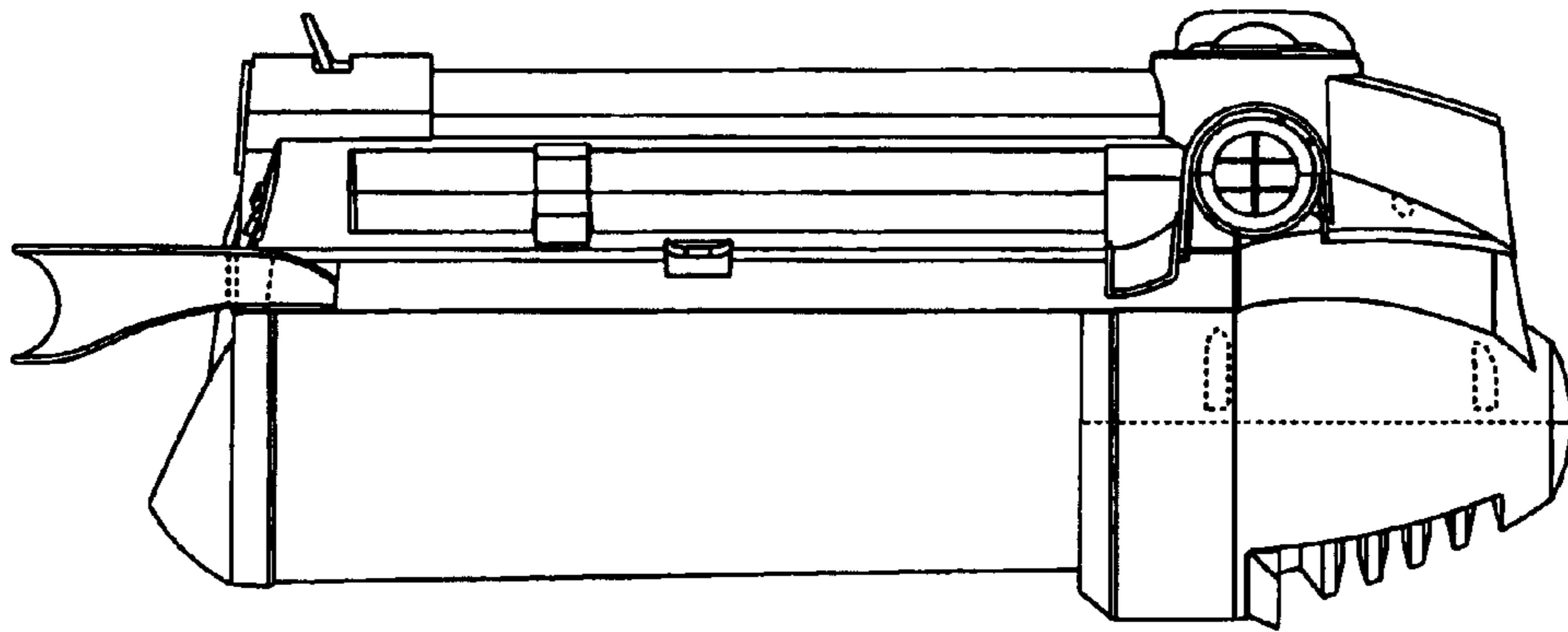


FIG. 5

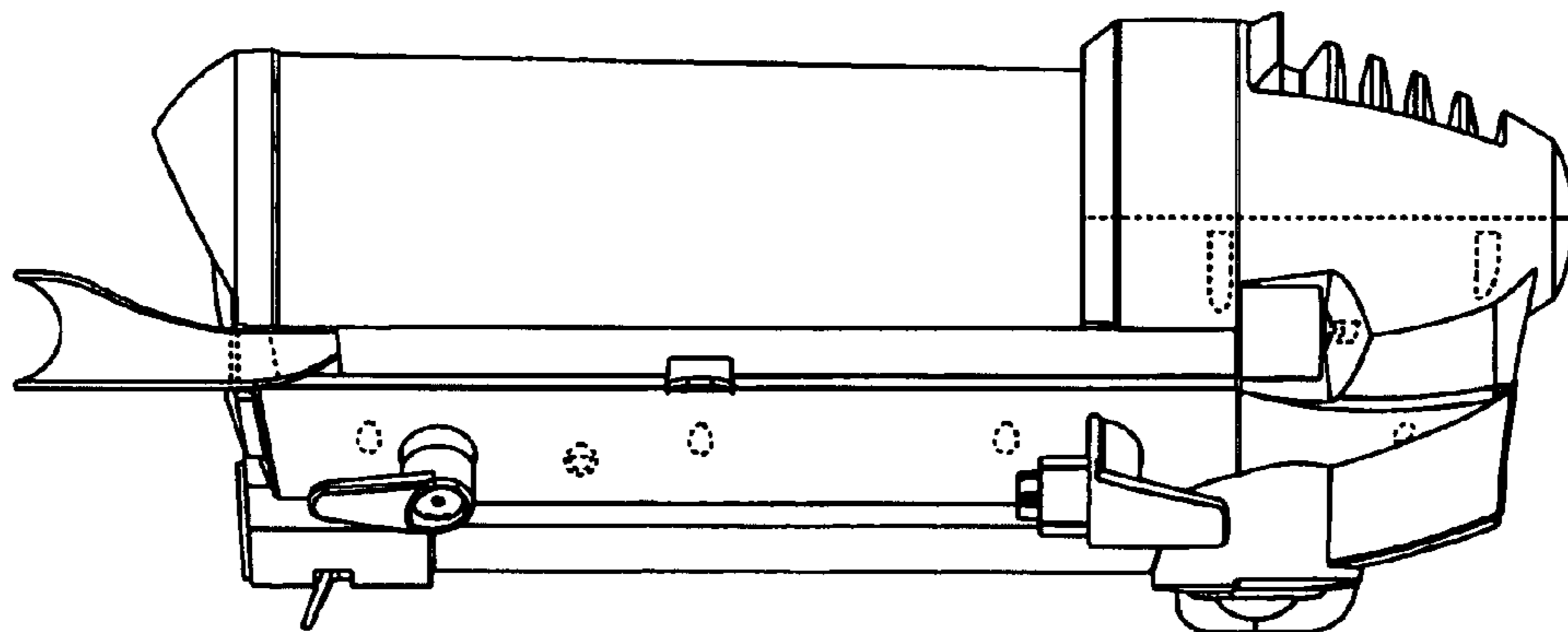


FIG. 8

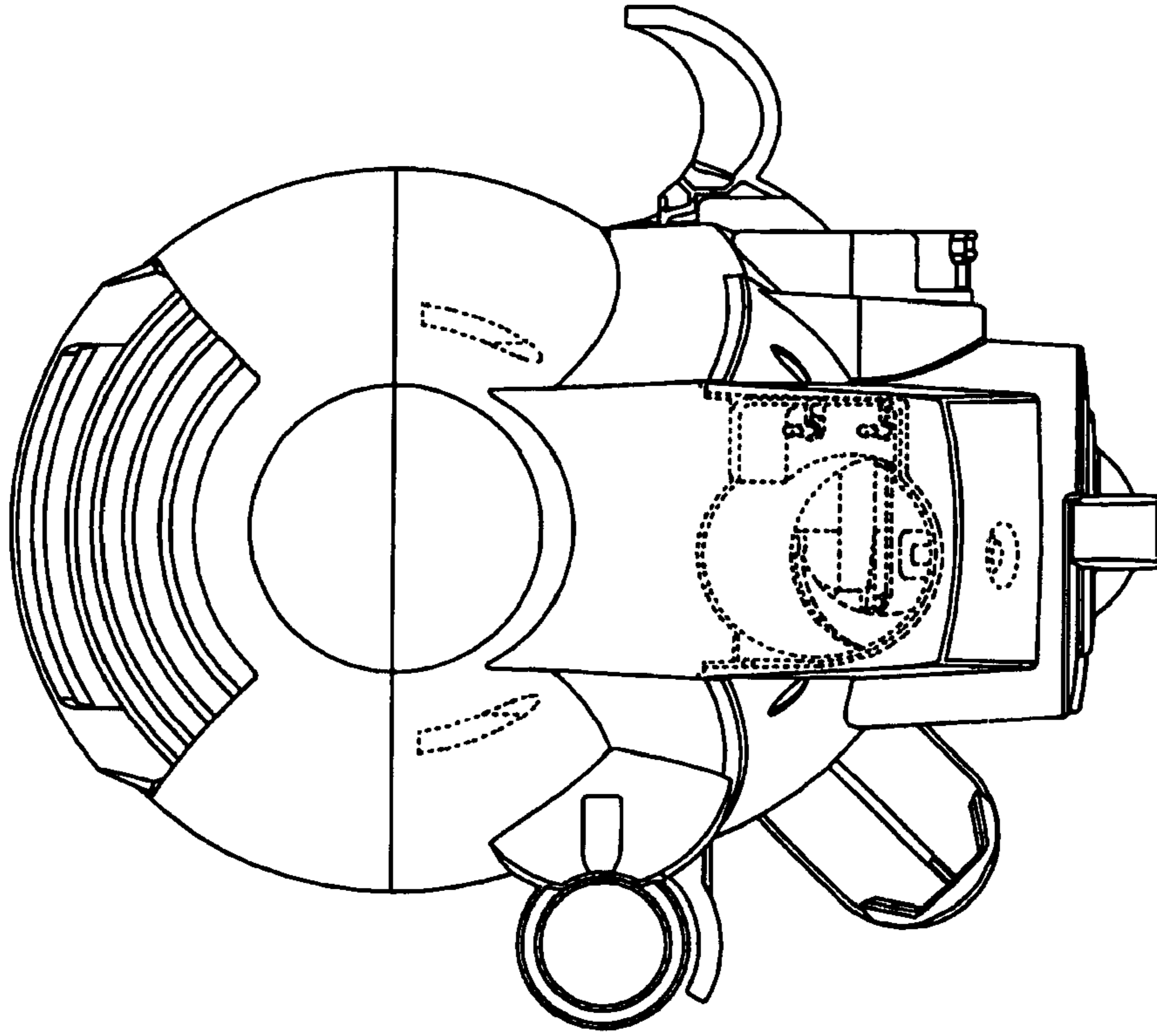


FIG. 7

