



US00D533975S

(12) **United States Design Patent**
Kelly et al.

(10) **Patent No.:** **US D533,975 S**
(45) **Date of Patent:** **** Dec. 19, 2006**

(54) **LITTER SCOOP**

(76) Inventors: **Donald S. Kelly**, Box 4930, Cypress,
CA (US) 90703-7278; **Sheri L. Liska**,
Box 4930, Cypress, CA (US)
90703-7278

(**) Term: **14 Years**

(21) Appl. No.: **29/230,354**

(22) Filed: **May 20, 2005**

(51) **LOC (8) Cl.** **30-99**

(52) **U.S. Cl.** **D30/162**

(58) **Field of Classification Search** D30/162;
D8/10; 294/1.3, 1.4, 49, 51, 54.5, 55, 55.5,
294/99.2; 172/378, 380; 119/161, 163, 165-166;
209/418-419

See application file for complete search history.

(56) **References Cited**

U.S. PATENT DOCUMENTS

226,351	A	4/1880	Reddick	
316,623	A	4/1885	Hooper	
892,692	A	7/1908	Robisch	
1,671,800	A	* 5/1928	Wechsler	209/419
D256,173	S	7/1980	Rigney	
D270,672	S	* 9/1983	Zelinger	D30/130
D377,246	S	* 1/1997	Clenney	D30/162
D416,359	S	11/1999	Schlueter	
D438,349	S	2/2001	Keller et al.	
6,312,029	B1	11/2001	Renforth	

6,416,097	B1	* 7/2002	O'Rourke	294/55
D485,025	S	* 1/2004	Edwards et al.	D30/162
D507,083	S	* 7/2005	Miller et al.	D30/162
D511,229	S	* 11/2005	Byrne	D30/160
D513,545	S	* 1/2006	Byrne	D30/160

OTHER PUBLICATIONS

R. C. Steele catalog; p. 63; Wiggly Giggly Toys with paw motif—Bone #RC20-5967 & #RC20-5966, Ball #RC20-5015 and Jack #RC20-6707.*

R. C. Steele catalog; p. 63; Giggler Ball with paw motif; #RC20-6792 & #RC20-6793.*

* cited by examiner

Primary Examiner—Cathy Anne MacCormac

(74) *Attorney, Agent, or Firm*—Donald Grant Kelly

(57) **CLAIM**

The ornamental design for a litter scoop, as shown.

DESCRIPTION

FIG. 1 is a perspective view of a litter scoop showing our new design;

FIG. 2 is a left side elevational view thereof;

FIG. 3 is a front elevational view thereof;

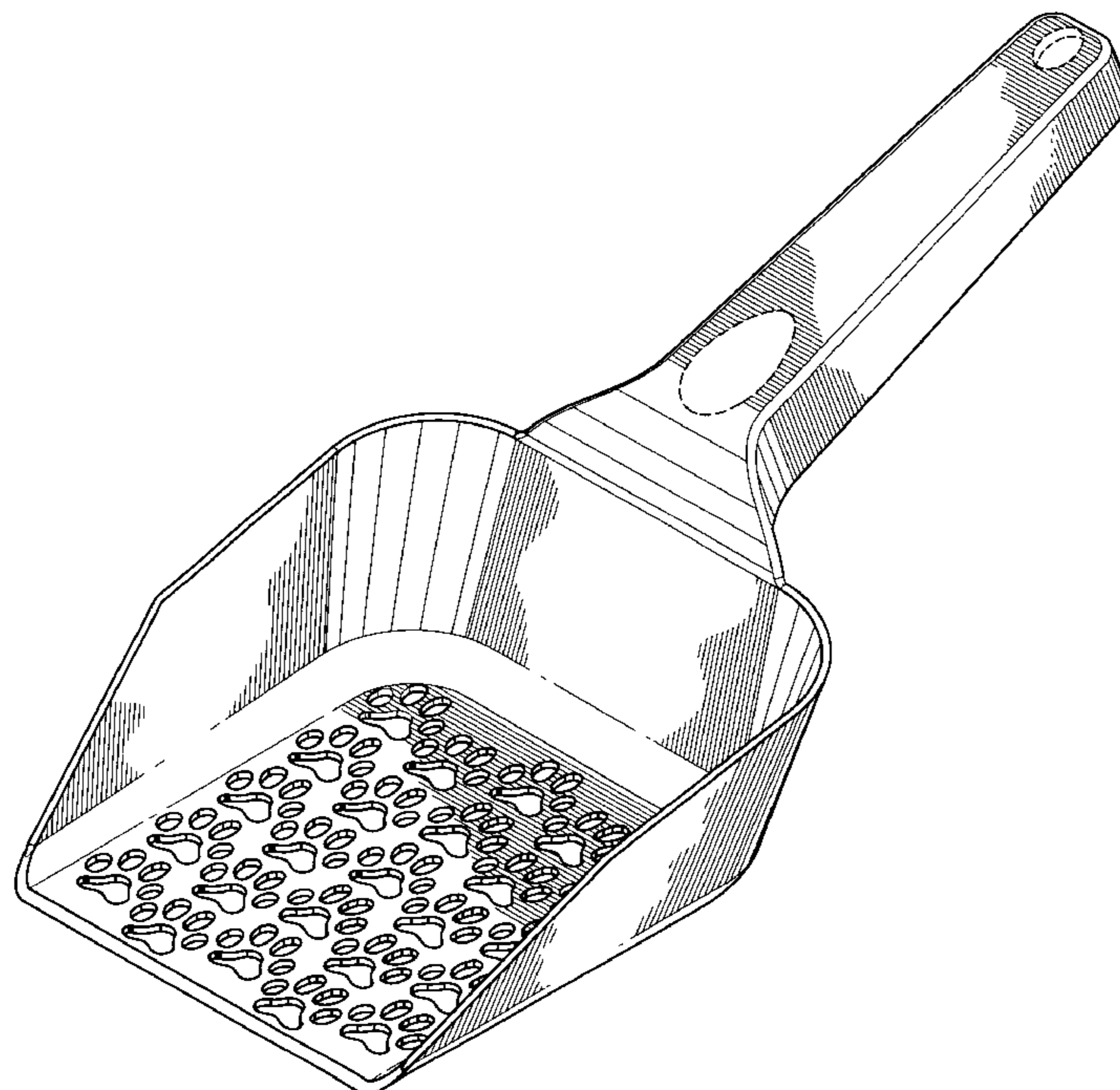
FIG. 4 is a rear elevational view thereof;

FIG. 5 is a top plan view thereof; and,

FIG. 6 is a bottom plan view thereof.

The broken lines are for illustrative purposes only and form no part of the claimed design.

1 Claim, 3 Drawing Sheets



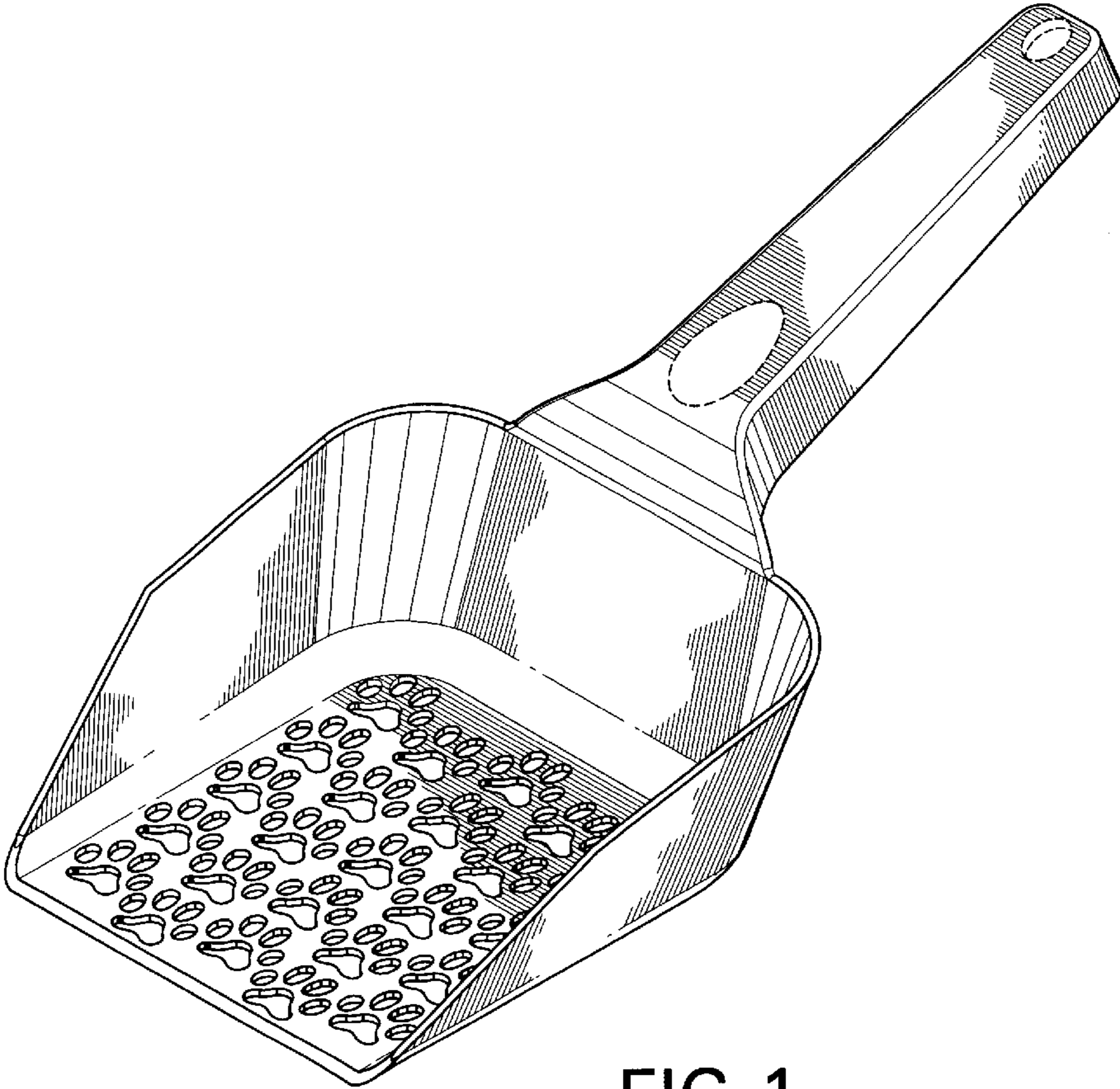


FIG. 1

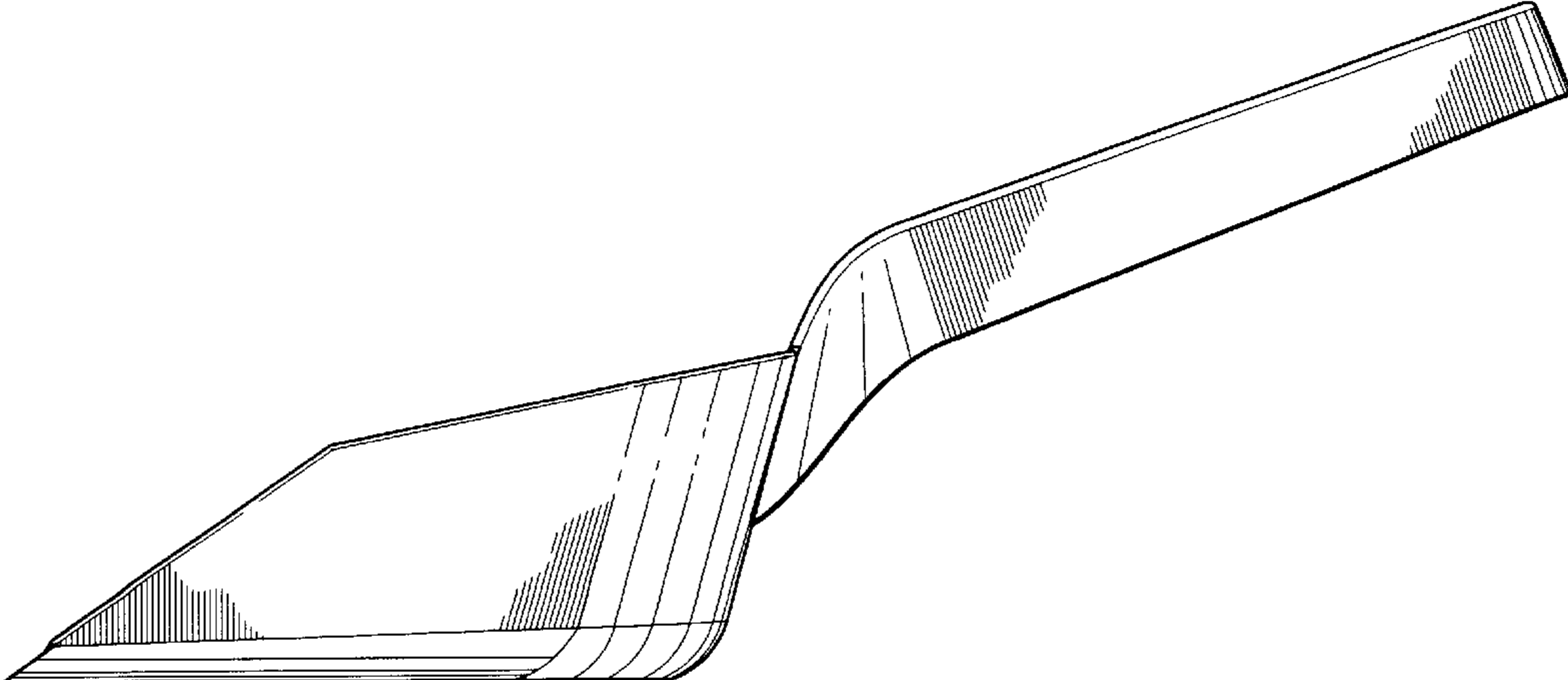


FIG. 2

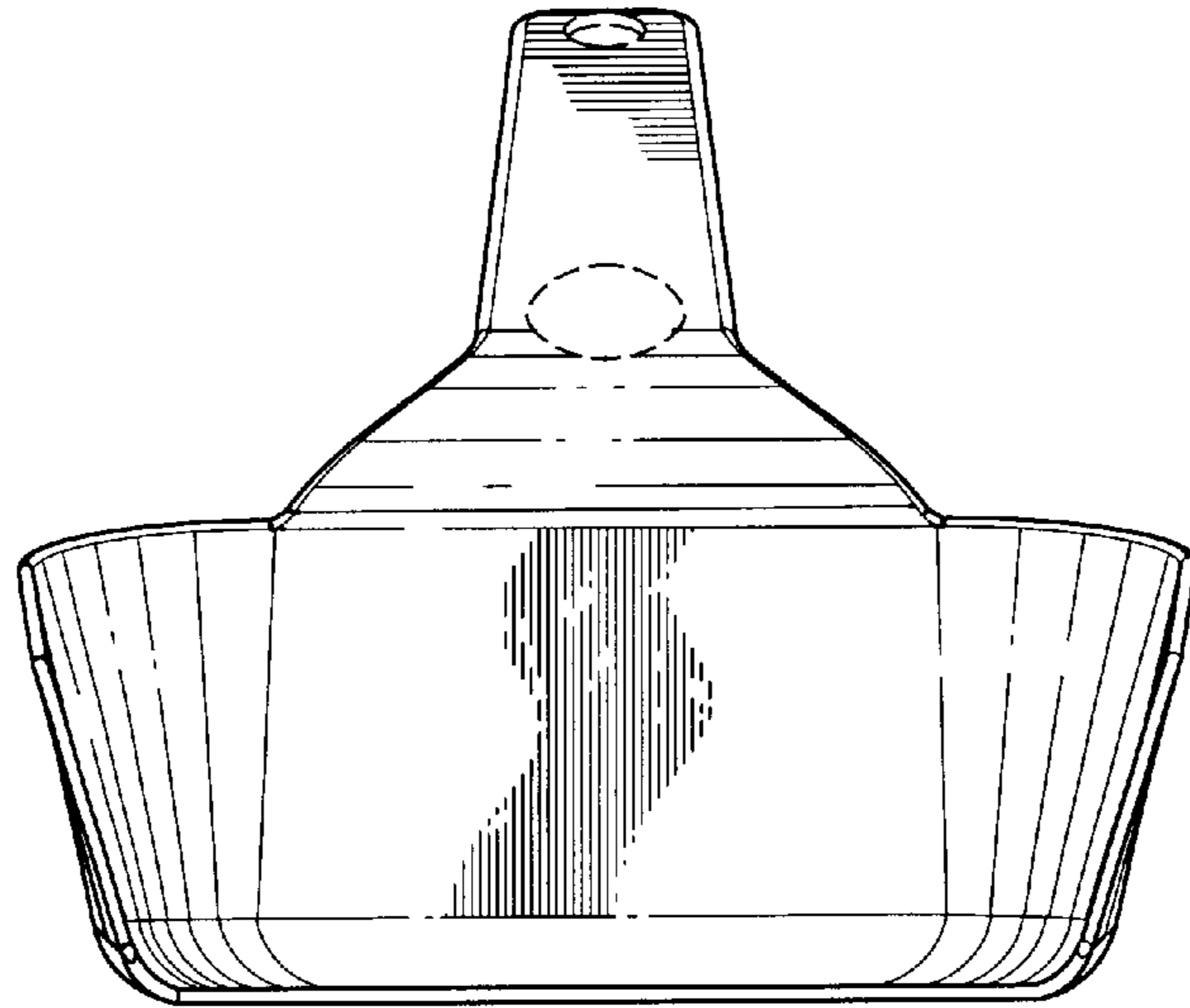


FIG. 3

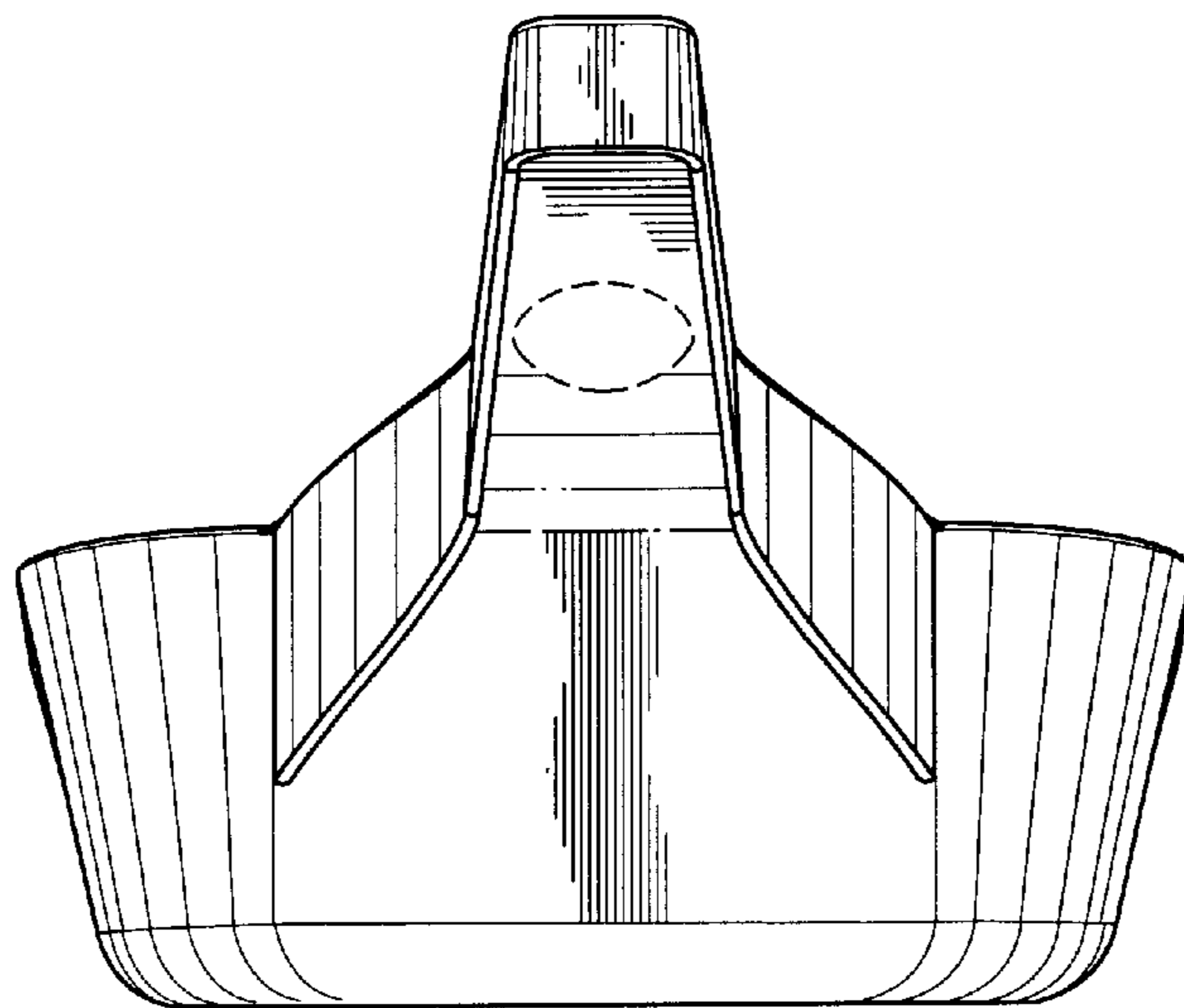


FIG. 4

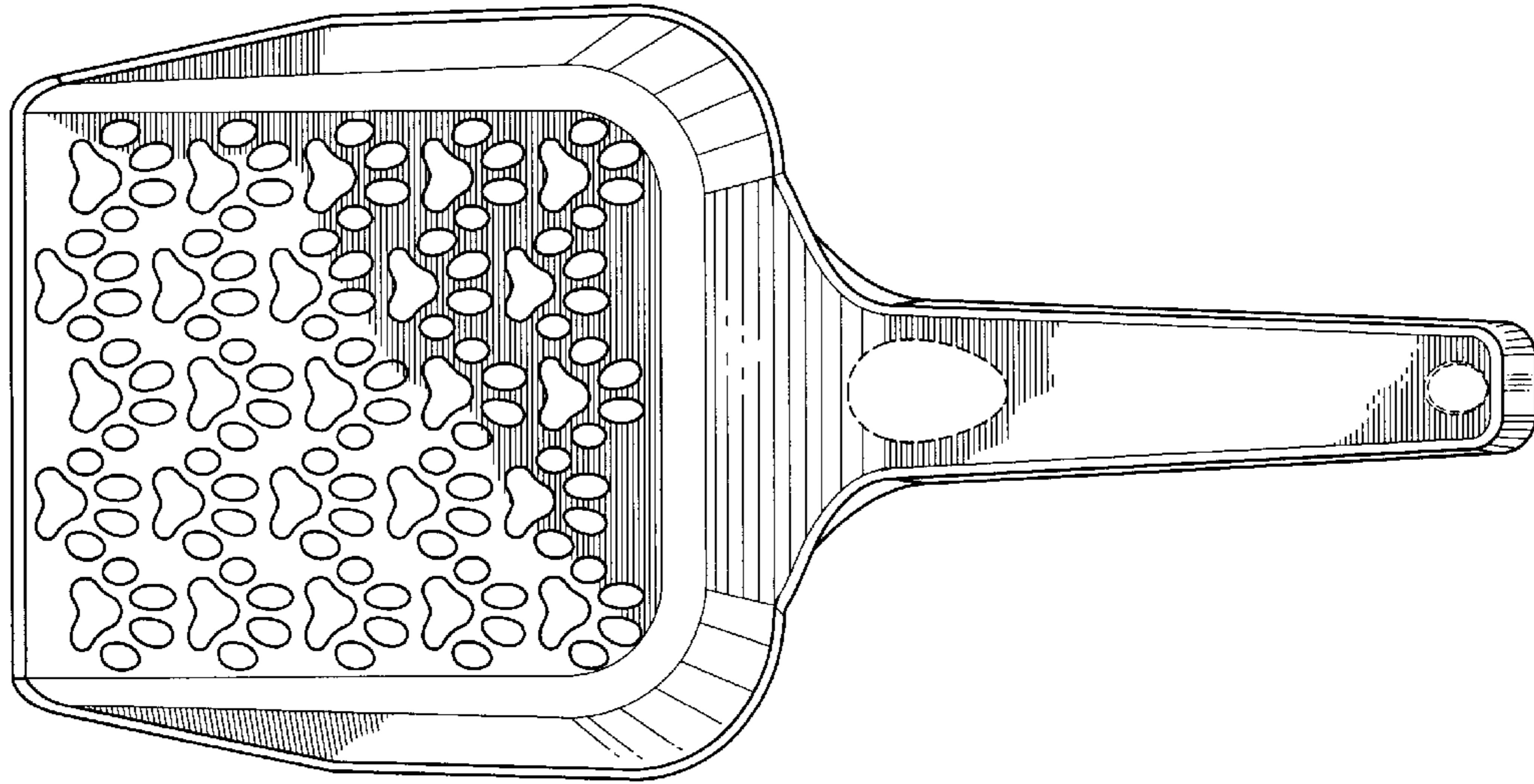


FIG. 5

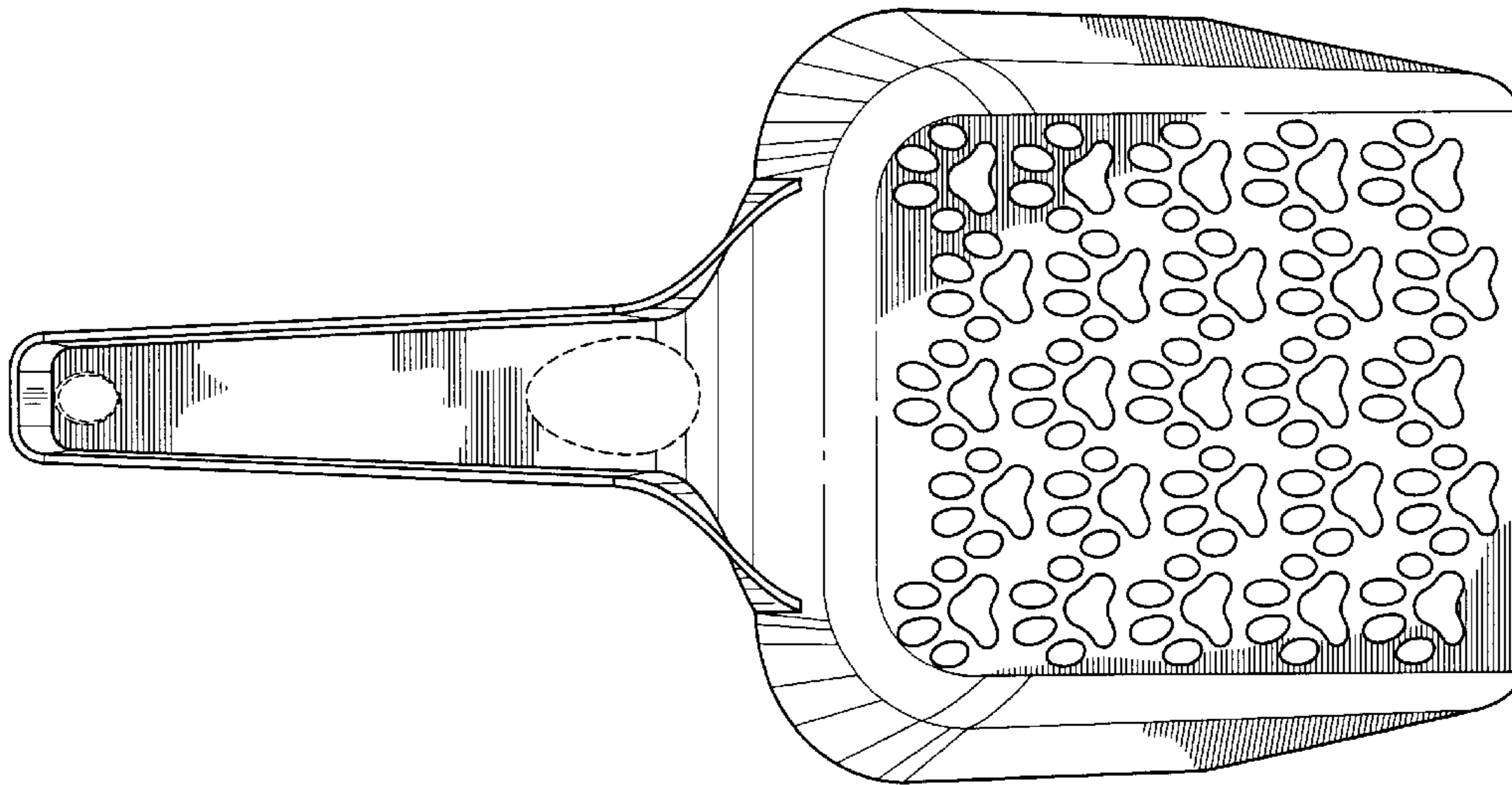


FIG. 6

UNITED STATES PATENT AND TRADEMARK OFFICE
CERTIFICATE OF CORRECTION

PATENT NO. : Des. 533,975 S
APPLICATION NO. : 29/230354
DATED : December 19, 2006
INVENTOR(S) : Donald S. Kelly et al.

Page 1 of 1

It is certified that error appears in the above-identified patent and that said Letters Patent is hereby corrected as shown below:

Title page, item [76]:

-- Inventors: Donald S. Kelly, Box 4930, Cerritos,
CA (US) 90703-7278; Sheri L. Liska,
Box 4930, Cerritos, CA (US)
90703-7278 --

Signed and Sealed this

Sixteenth Day of October, 2007

A handwritten signature in black ink on a light gray dotted background. The signature reads "Jon W. Dudas" in a cursive style.

JON W. DUDAS

Director of the United States Patent and Trademark Office