



US00D533974S

(12) **United States Design Patent**
Hirokawa et al.

(10) **Patent No.:** **US D533,974 S**

(45) **Date of Patent:** **** Dec. 19, 2006**

(54) **PET TOILET**

(75) Inventors: **Satoshi Hirokawa**, Toyama (JP);
Kiyoshi Miyamoto, Toyama (JP)

(73) Assignee: **Richell USA, Inc.**, Arlington, TX (US)

(**) Term: **14 Years**

(21) Appl. No.: **29/217,867**

(22) Filed: **Nov. 23, 2004**

(30) **Foreign Application Priority Data**

May 24, 2004 (JP) 2004-015113

(51) **LOC (8) Cl.** **30-99**

(52) **U.S. Cl.** **D30/161**

(58) **Field of Classification Search** D30/161;
119/191-170; D23/311-312; 4/234-235,
4/237, 483
See application file for complete search history.

(56) **References Cited**

U.S. PATENT DOCUMENTS

2,741,223	A	4/1956	Winborn, Jr.	
3,688,741	A	9/1972	Thompson et al.	
3,757,738	A *	9/1973	Hall	119/162
3,762,369	A	10/1973	Barnum	
3,990,397	A	11/1976	Lowe, Jr.	
4,117,555	A *	10/1978	Dennis	119/163
4,181,096	A *	1/1980	Grubman	119/162
4,228,554	A *	10/1980	Tumminaro	119/161
4,231,321	A *	11/1980	Cohen	119/162
4,271,544	A	6/1981	Hammond	
4,660,506	A *	4/1987	Nalven	119/163
5,103,772	A *	4/1992	Schmid	119/162
5,216,979	A *	6/1993	Sallee et al.	119/162
D371,873	S *	7/1996	Brassfield	D30/161
5,755,182	A *	5/1998	Brown et al.	119/166
6,014,946	A *	1/2000	Rymer	119/162

6,145,475	A *	11/2000	Jackson	119/162
6,263,521	B1 *	7/2001	Pi	4/483
6,354,243	B1 *	3/2002	Lewis et al.	119/165
6,418,880	B1 *	7/2002	Chiu	119/162
6,487,989	B1	12/2002	Yamamoto	
D479,635	S *	9/2003	Taylor	D30/161
D492,984	S *	7/2004	Kitamura	D23/311
6,769,382	B1 *	8/2004	Chiu	119/162
2002/0078899	A1 *	6/2002	Chiu	119/162
2004/0261727	A1 *	12/2004	Matsuo et al.	119/170

FOREIGN PATENT DOCUMENTS

JP	6-36688	9/1994
JP	3035415	12/1996
JP	3056311	11/1998
JP	P2001-346472 A	12/2001
JP	P2002-78428 A	3/2002
JP	P2002-315463 A	10/2002

* cited by examiner

Primary Examiner—Cathy Anne MacCormac

(74) *Attorney, Agent, or Firm*—Conley Rose, P.C.

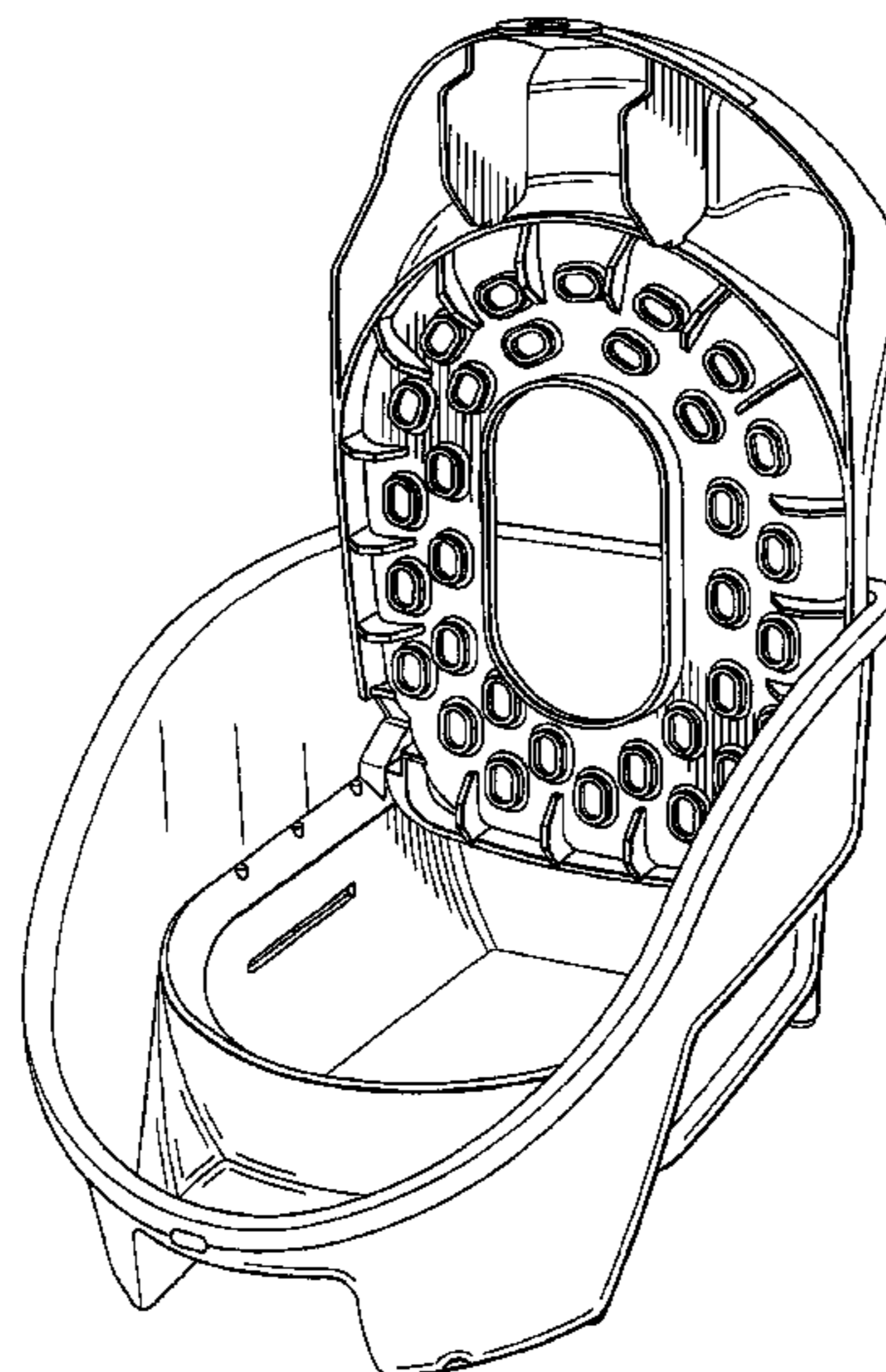
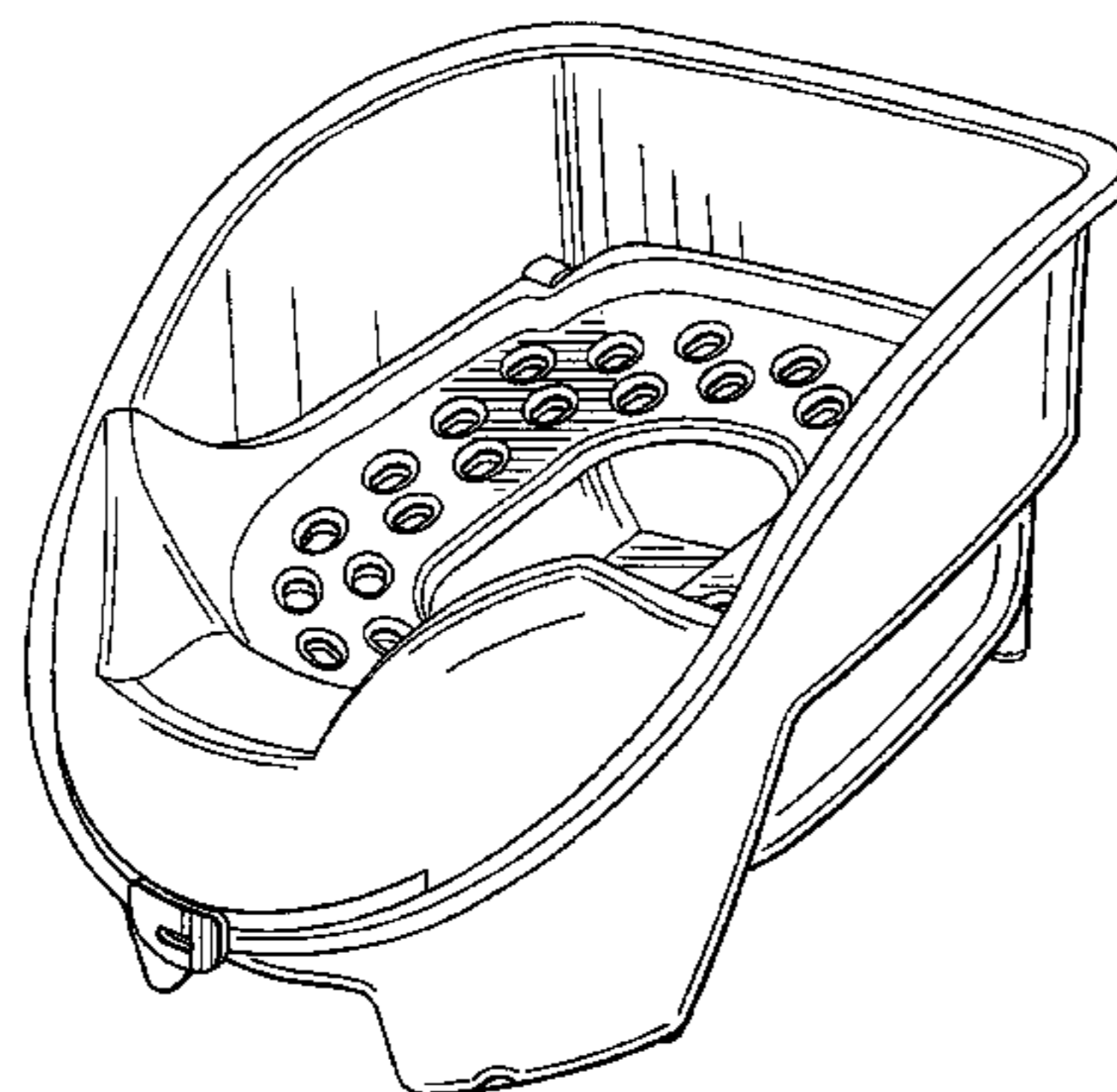
(57) **CLAIM**

The ornamental design for a pet toilet, as shown and described.

DESCRIPTION

FIG. 1 is a front perspective view of the pet toilet comprising a seat and a base;
 FIG. 2 is a front view of FIG. 1;
 FIG. 3 is a back view of FIG. 1;
 FIG. 4 is a side view of FIG. 1;
 FIG. 5 is a bottom view of FIG. 1;
 FIG. 6 is a top view of FIG. 1;
 FIG. 7 is a cross-sectional view taken along line 7—7 of FIG. 6; and,
 FIG. 8 is a front perspective view of a seat of the pet toilet in a raised position.

1 Claim, 8 Drawing Sheets



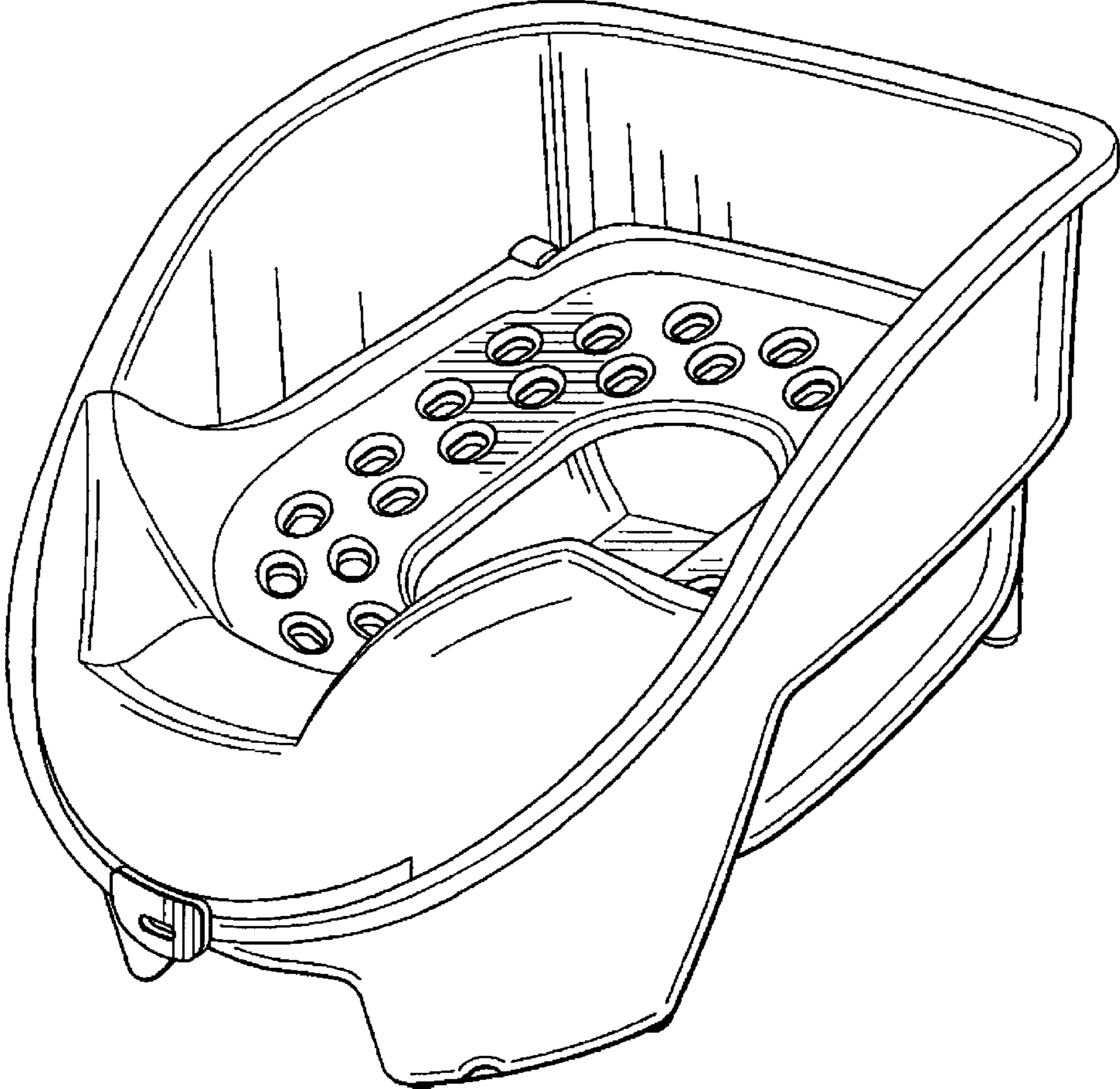


Fig. 1

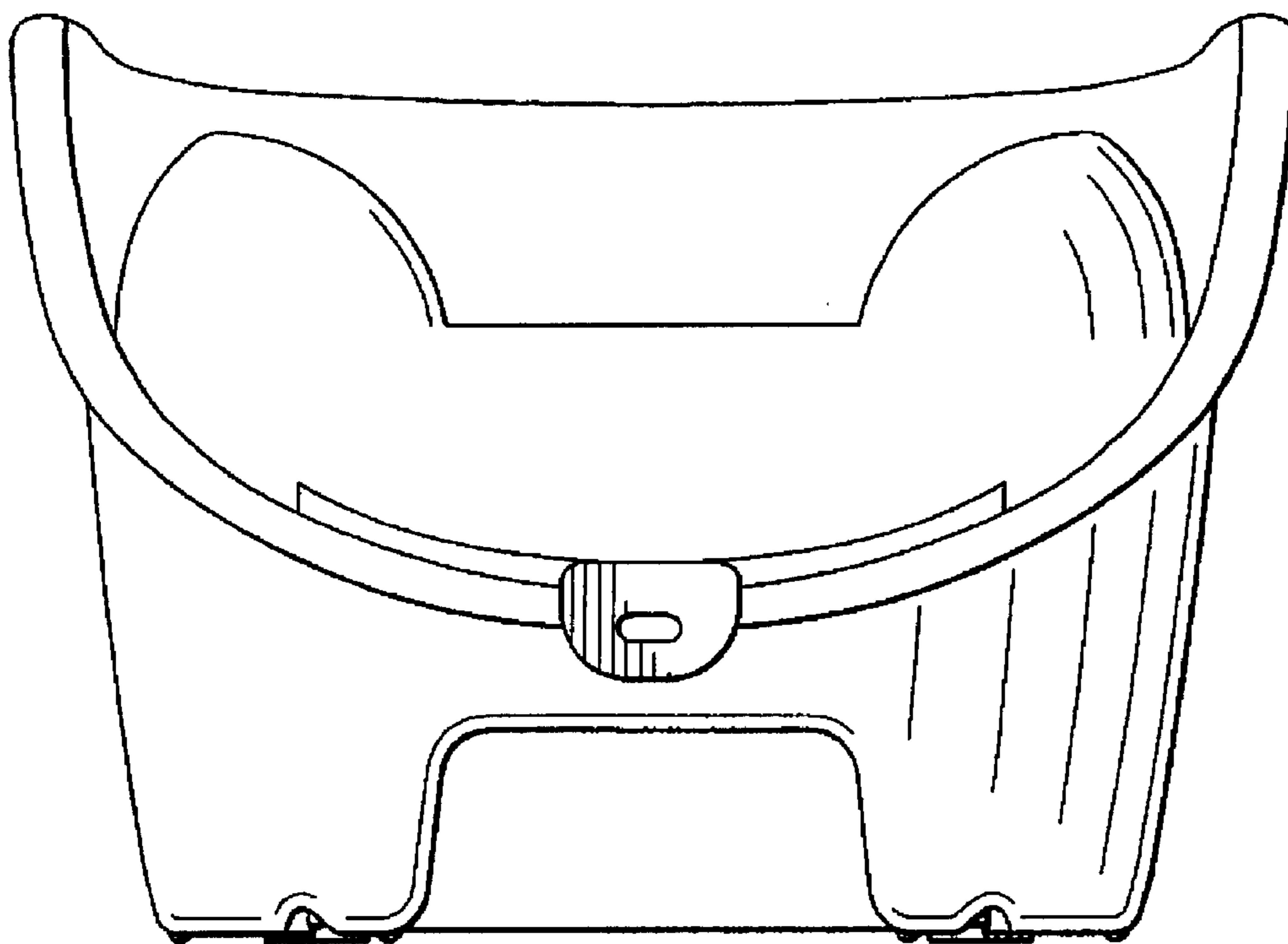


Fig. 2

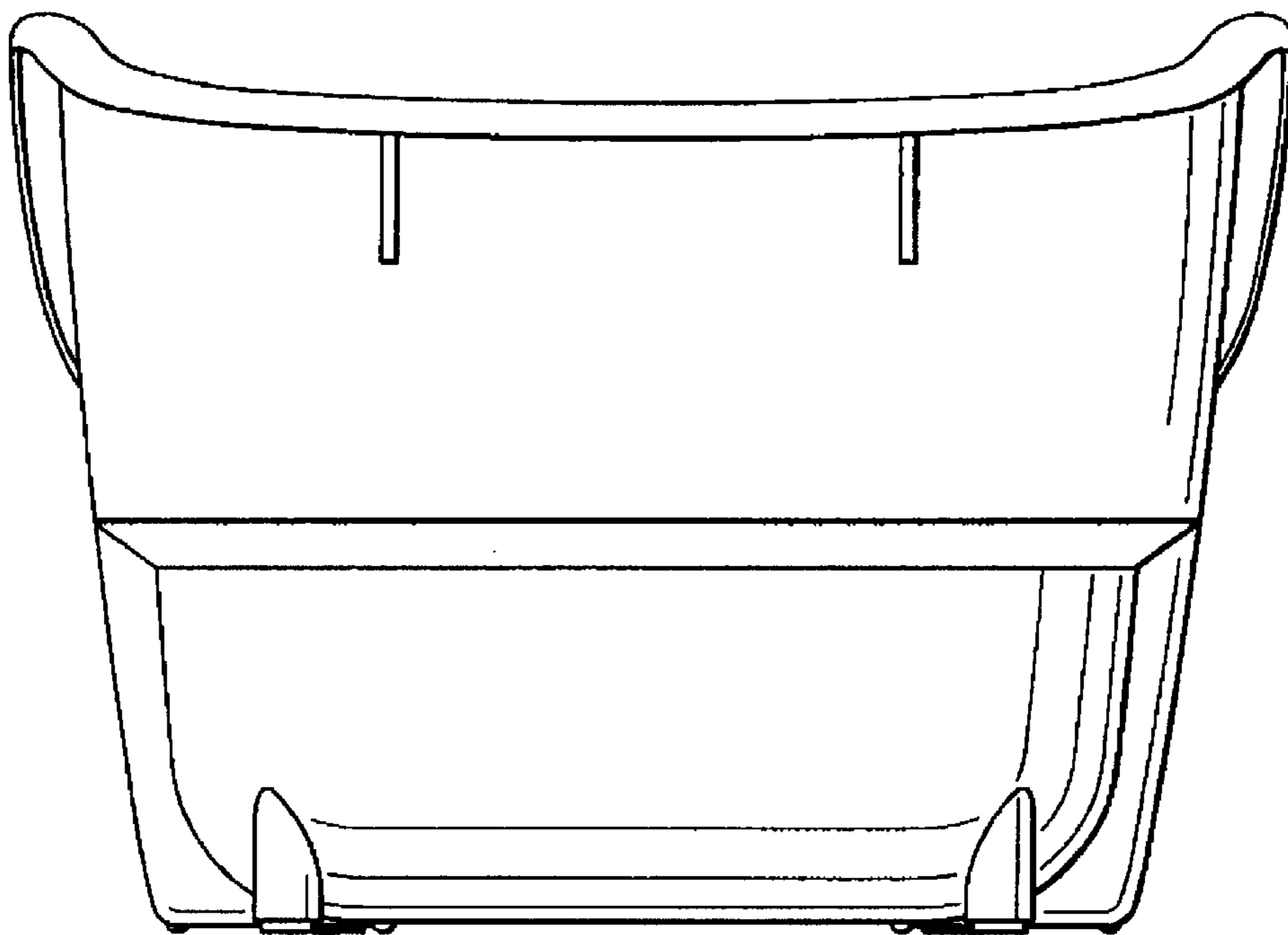


Fig. 3

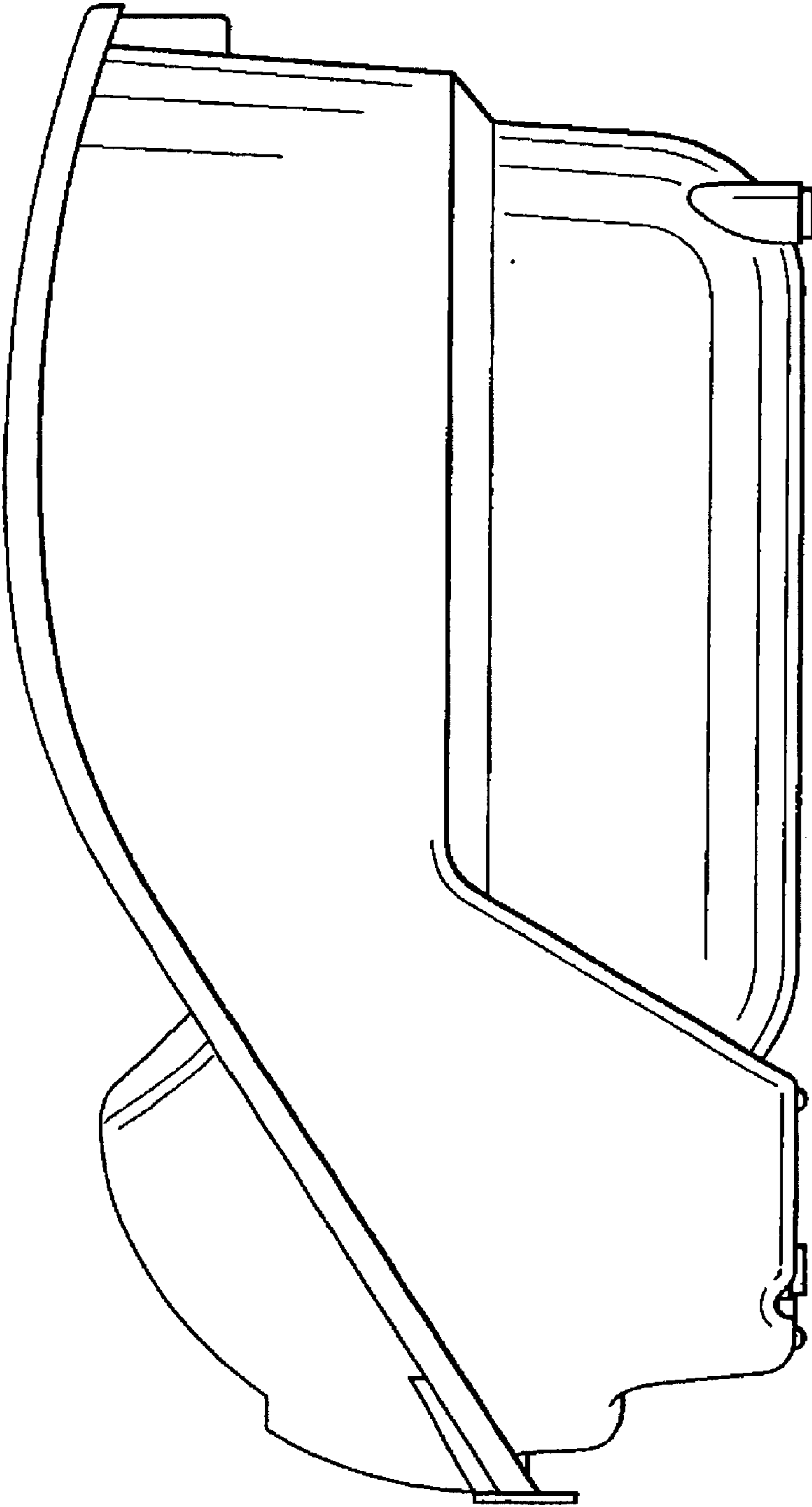


Fig. 4

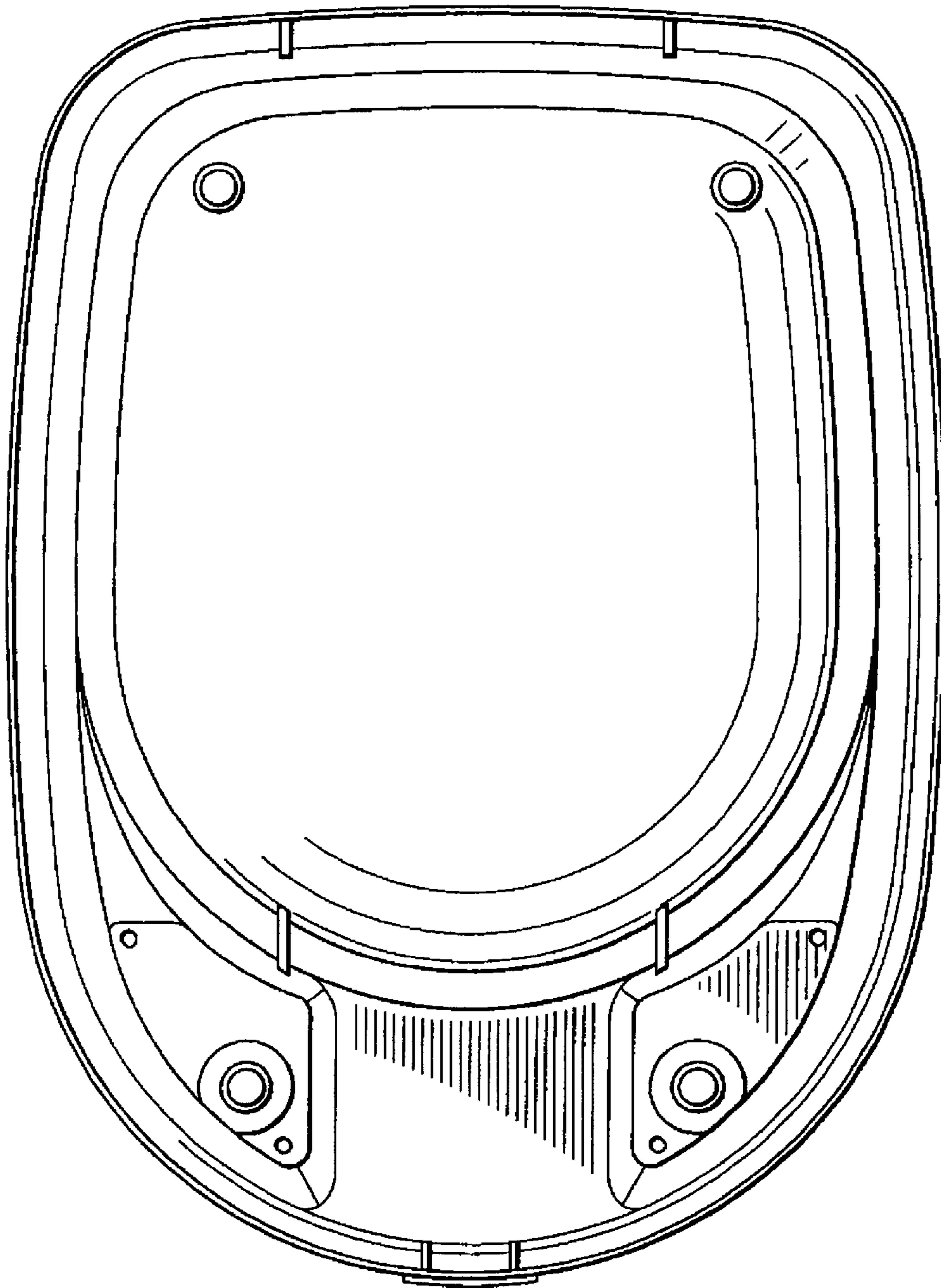


Fig. 5

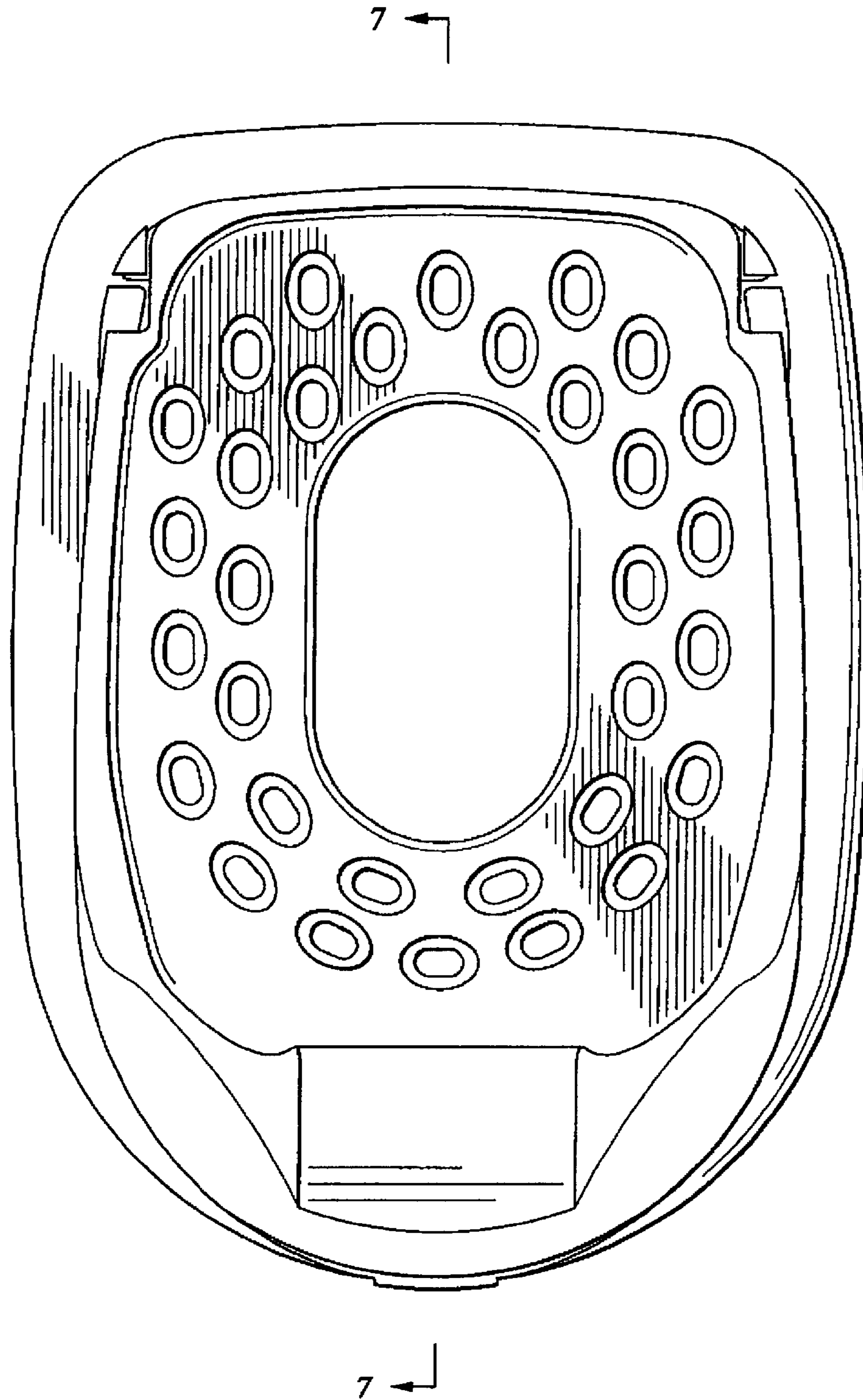


Fig. 6

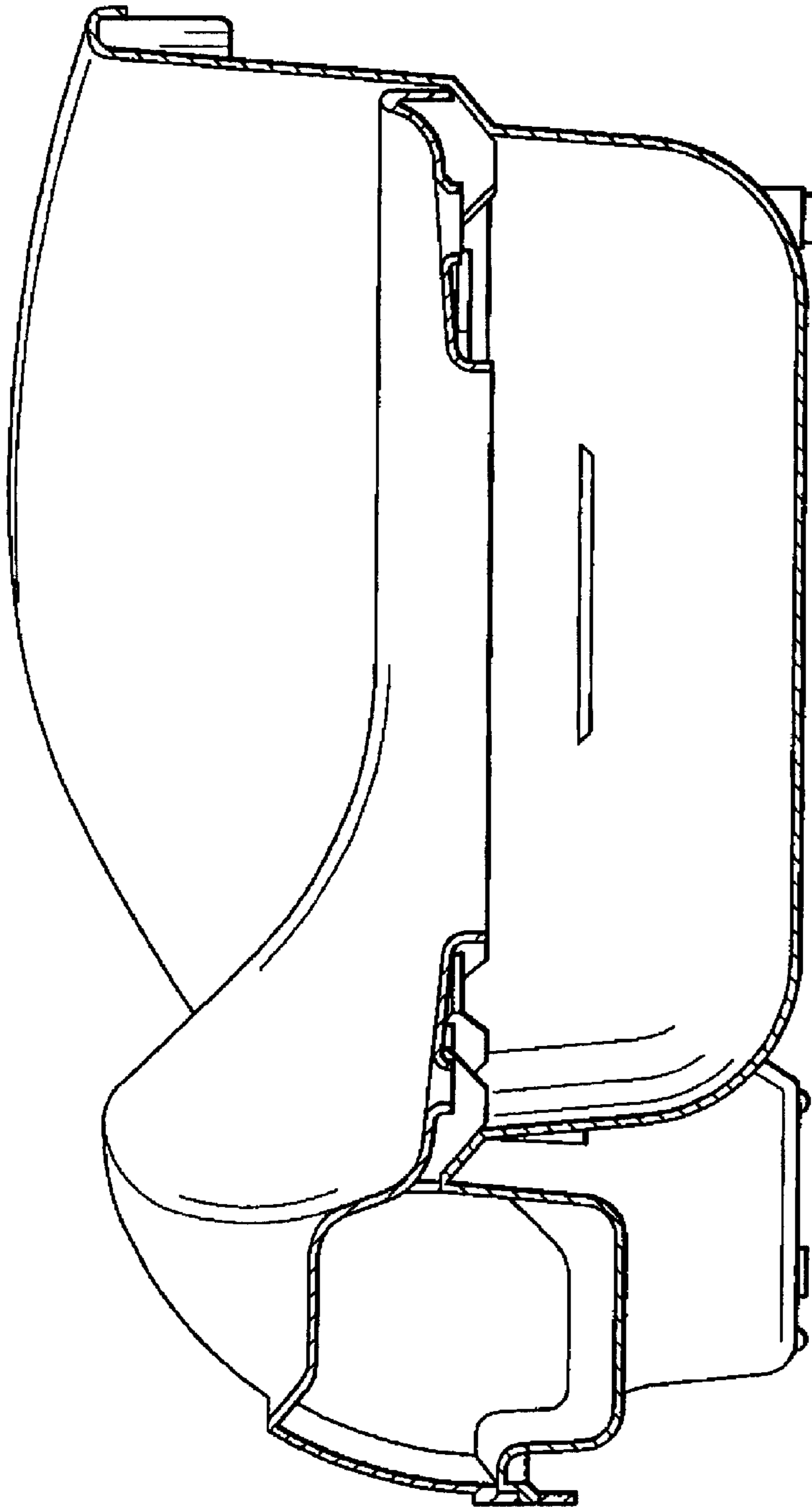


Fig. 7

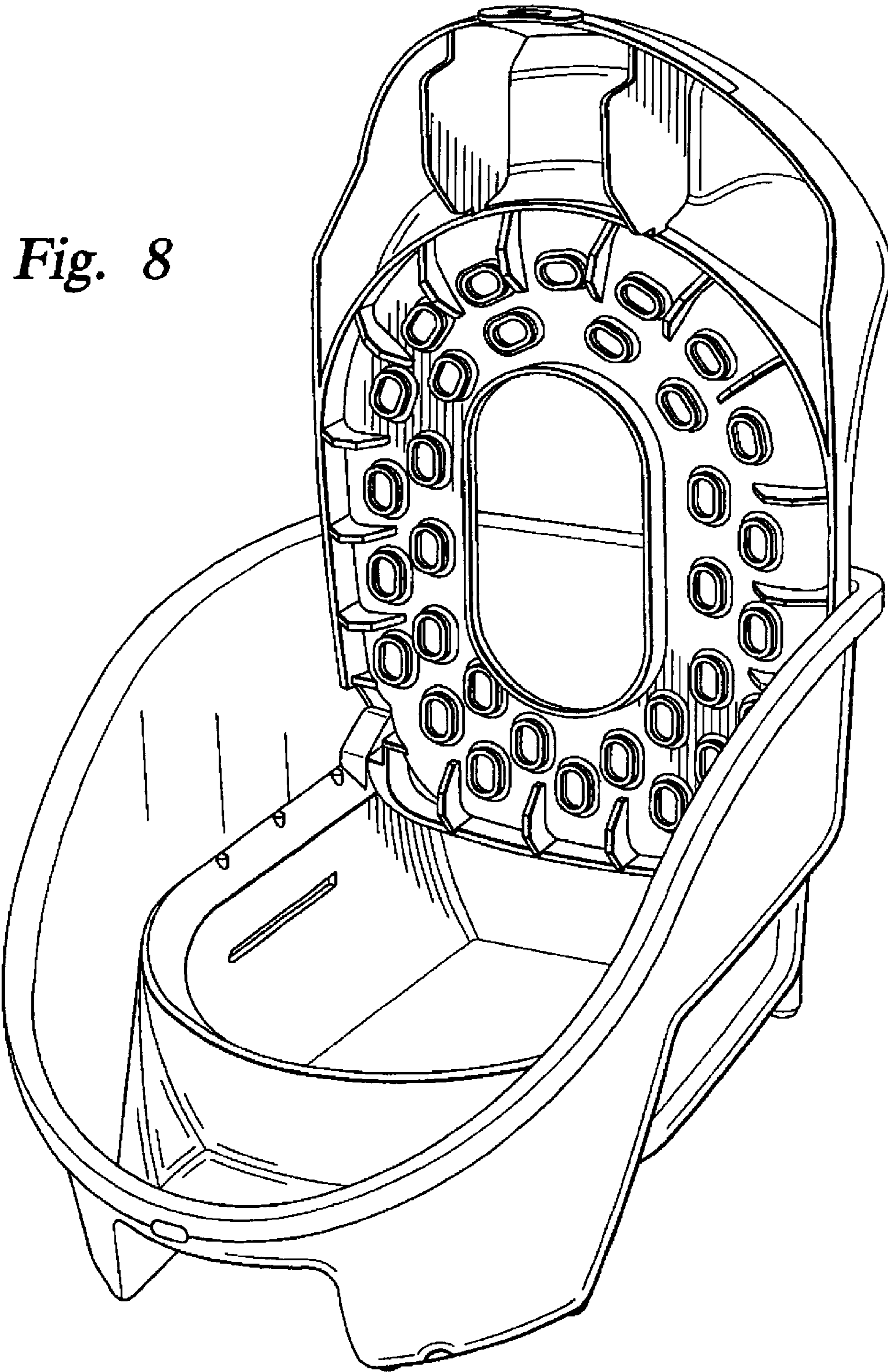


Fig. 8