



US00D533971S

(12) **United States Design Patent** (10) **Patent No.:** **US D533,971 S**  
**Carter et al.** (45) **Date of Patent:** **\*\* Dec. 19, 2006**

(54) **ANIMAL CAGE**  
(75) Inventors: **James S. Carter**, Denver, CO (US);  
**Stieg E. Corell**, Highlands Ranch, CO (US)  
(73) Assignee: **Animal Care Systems, Inc.**, Littleton, CO (US)  
(\*\*) **Term:** **14 Years**  
(21) Appl. No.: **29/220,356**  
(22) Filed: **Dec. 29, 2004**  
(51) **LOC (8) Cl.** ..... **30-02**  
(52) **U.S. Cl.** ..... **D30/108**  
(58) **Field of Classification Search** ..... D30/108-112,  
D30/114-118, 161; D3/304; 119/161, 163-170,  
119/416-420, 428-430, 433, 435, 452-453,  
119/459-460, 462-464, 467, 475, 482, 496-497,  
119/311, 329, 28.5, 456, 493; D7/550.1, 602,  
D7/612, 615, 629; D9/420, 423-425, 429-430;  
206/541, 551  
See application file for complete search history.

4,201,153 A \* 5/1980 Nace ..... 119/417  
4,334,500 A \* 6/1982 Ziller ..... 119/419  
4,343,261 A 8/1982 Thomas  
4,448,150 A \* 5/1984 Catsimpoalas ..... 119/455  
4,699,088 A \* 10/1987 Murray et al. .... 119/419  
4,917,046 A \* 4/1990 Spengler ..... 119/420  
4,989,545 A 2/1991 Sheaffer et al.  
5,003,922 A \* 4/1991 Niki et al. .... 119/418  
D341,539 S \* 11/1993 Davis et al. .... D9/430  
5,785,000 A \* 7/1998 Barbary ..... 119/166  
5,865,144 A \* 2/1999 Semenuk ..... 119/456  
5,996,535 A \* 12/1999 Semenuk et al. .... 119/456  
6,158,387 A 12/2000 Gabriel et al.  
6,257,171 B1 7/2001 Rivard  
6,571,738 B1 6/2003 Rivard  
6,584,936 B1 7/2003 Rivard  
2004/0079295 A1 \* 4/2004 Sims ..... 119/329

\* cited by examiner

*Primary Examiner*—Cathy Anne MacCormac  
(74) *Attorney, Agent, or Firm*—Dorr, Carson & Birney, P.C.

(57) **CLAIM**

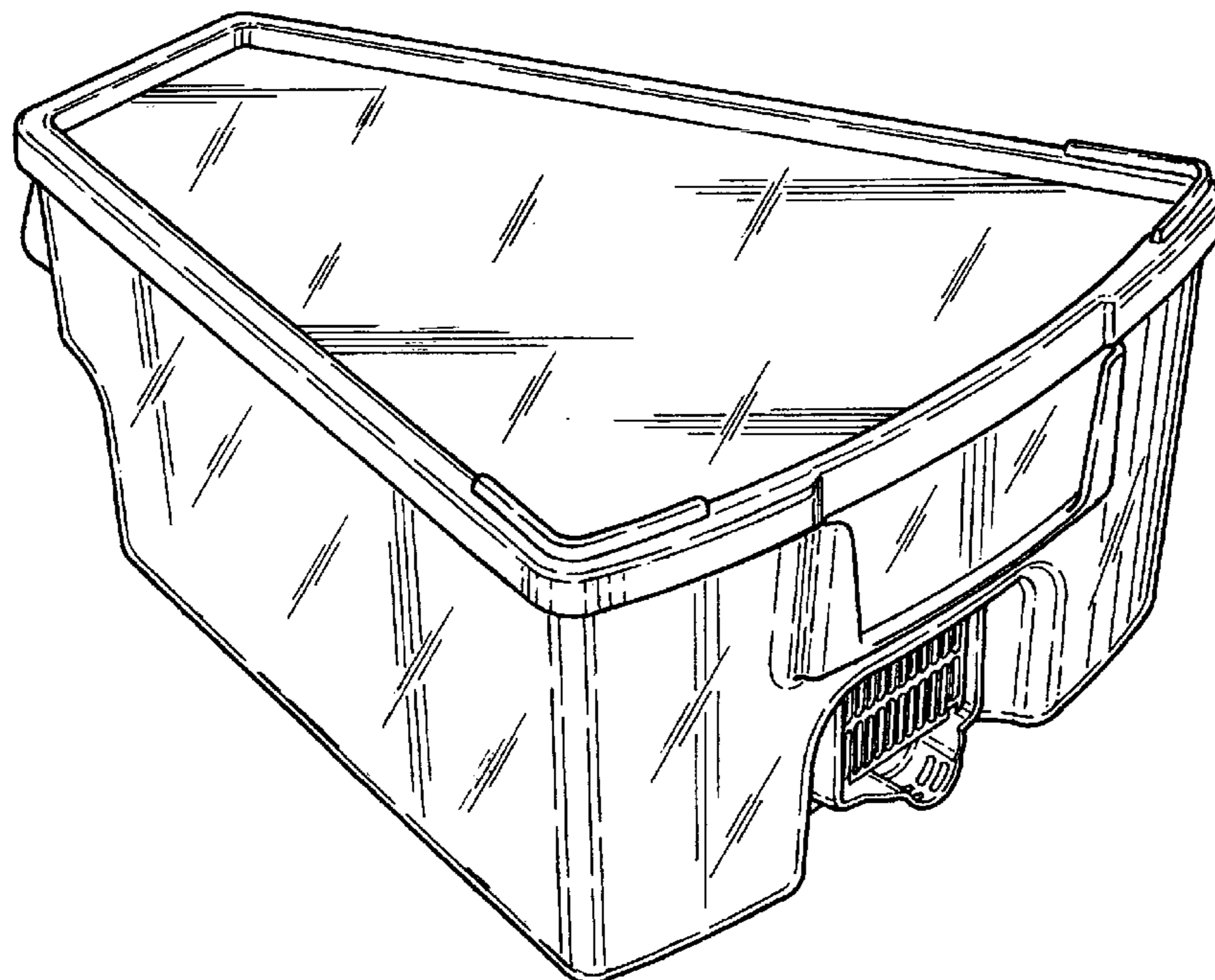
The ornamental design for an animal cage, as shown and described.

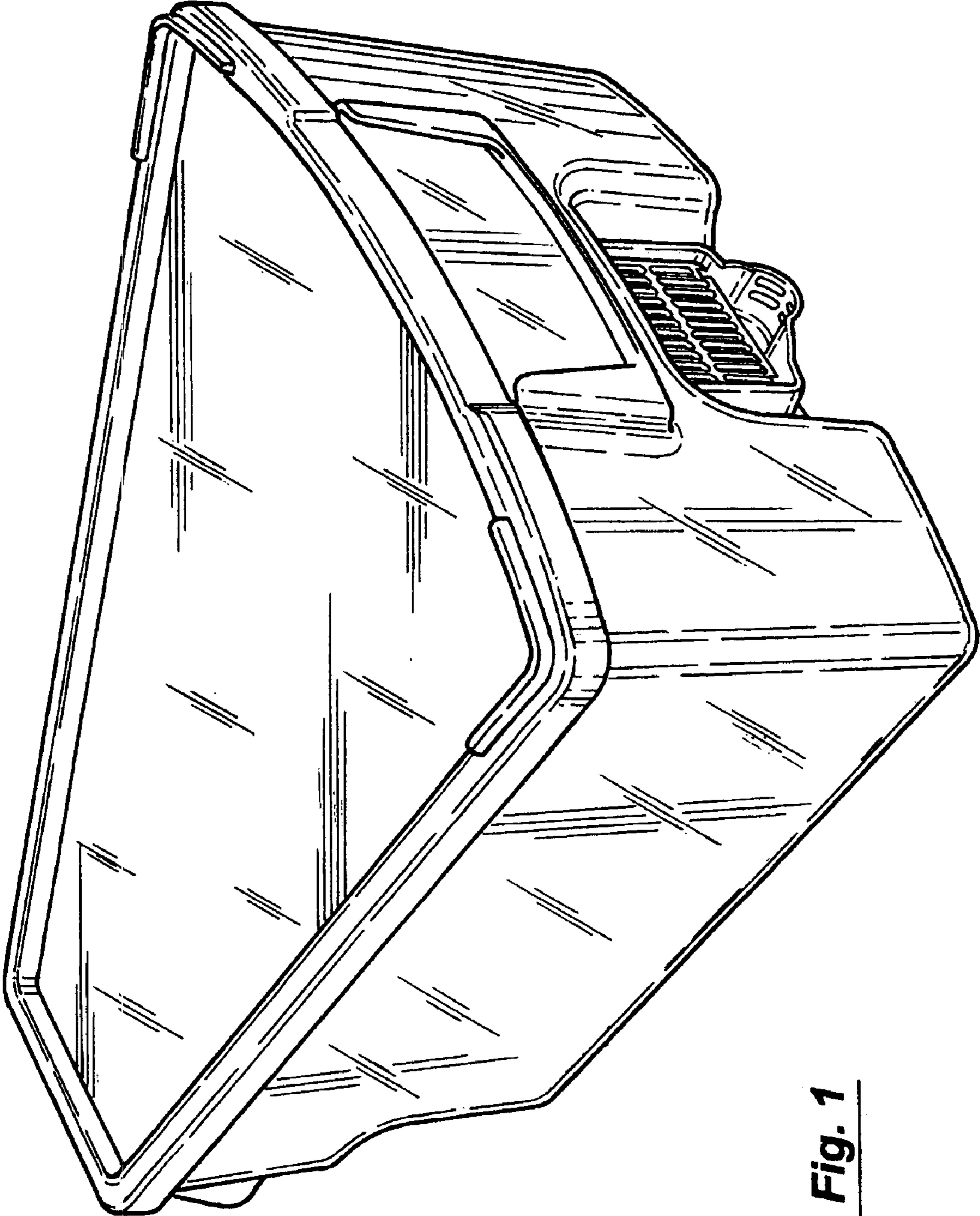
**DESCRIPTION**

FIG. 1 is a perspective view of an animal cage showing my new design.  
FIG. 2 is a top plan view thereof.  
FIG. 3 is a right side elevational view thereof.  
FIG. 4 is a left side elevational view thereof.  
FIG. 5 is a bottom plan view thereof.  
FIG. 6 is a rear elevational view thereof; and,  
FIG. 7 is front elevational view thereof.

**1 Claim, 4 Drawing Sheets**

(56) **References Cited**  
U.S. PATENT DOCUMENTS  
2,207,520 A \* 7/1940 Rhody ..... D7/615  
2,789,608 A \* 4/1957 Tupper ..... 220/792  
D209,847 S \* 1/1968 Taylor ..... D7/612  
D220,752 S \* 5/1971 Artz ..... D9/425  
3,620,411 A \* 11/1971 Rump ..... 206/551  
3,877,420 A \* 4/1975 Eagleson, Jr. .... 119/419  
3,924,571 A \* 12/1975 Holman ..... 119/419  
3,961,603 A \* 6/1976 Gaddie, Sr. .... D30/108





**Fig. 1**

Fig. 2

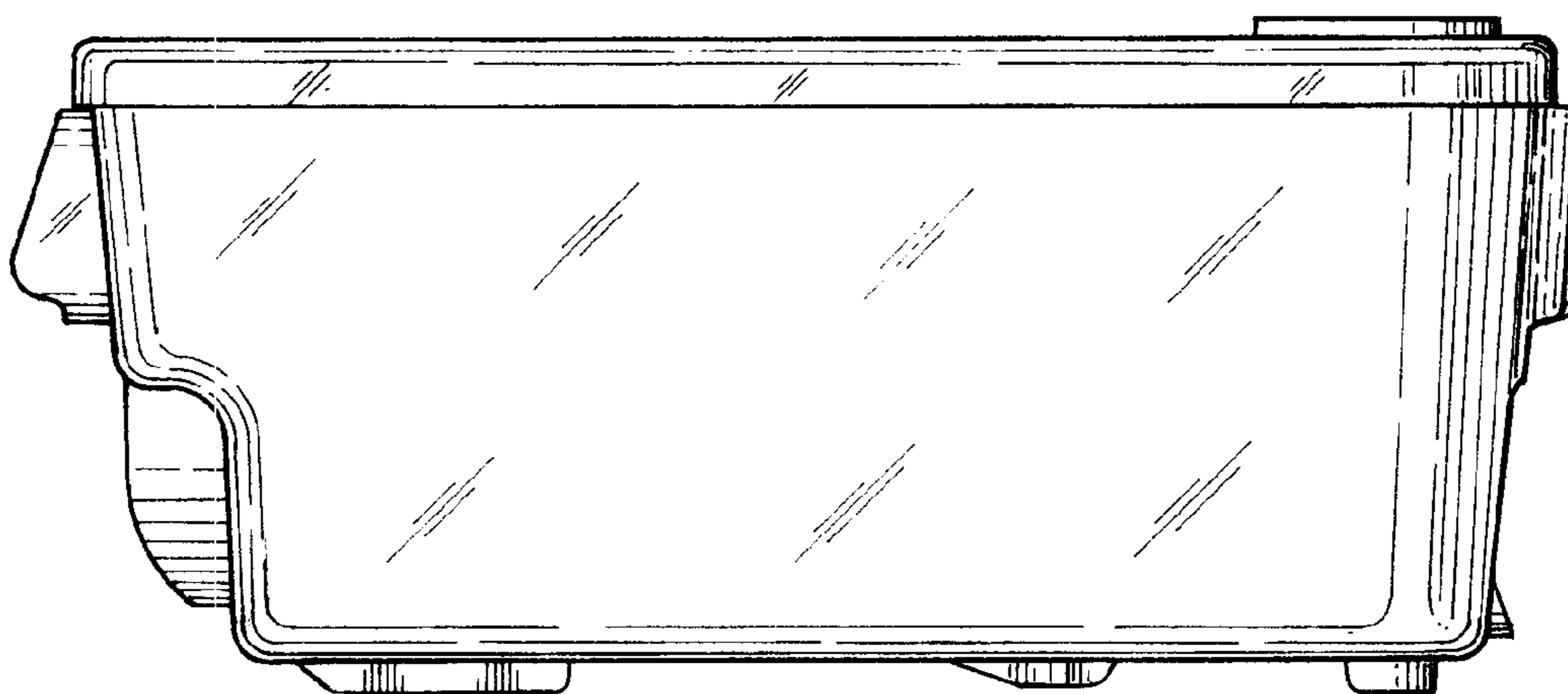
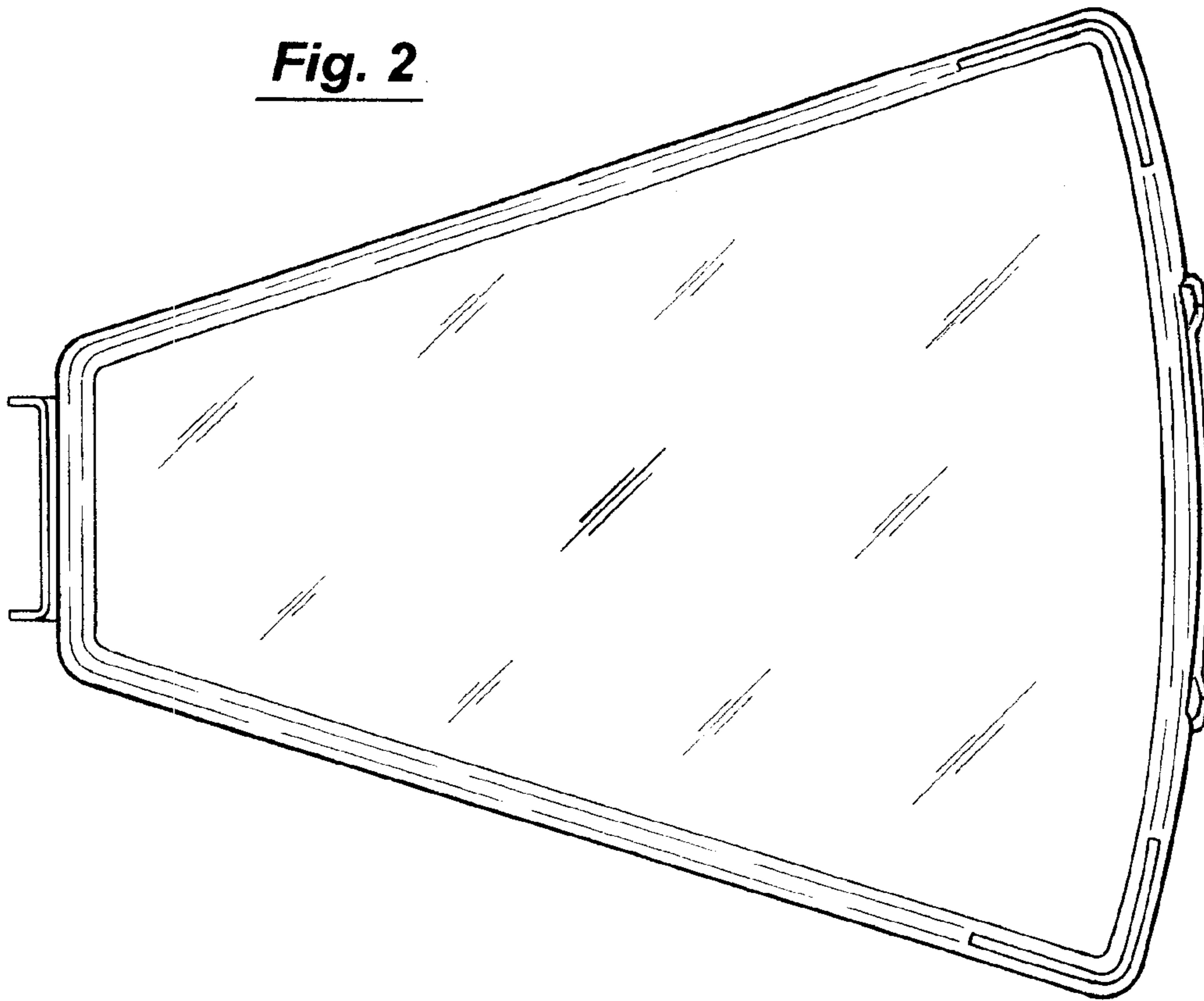


Fig. 3

Fig. 4

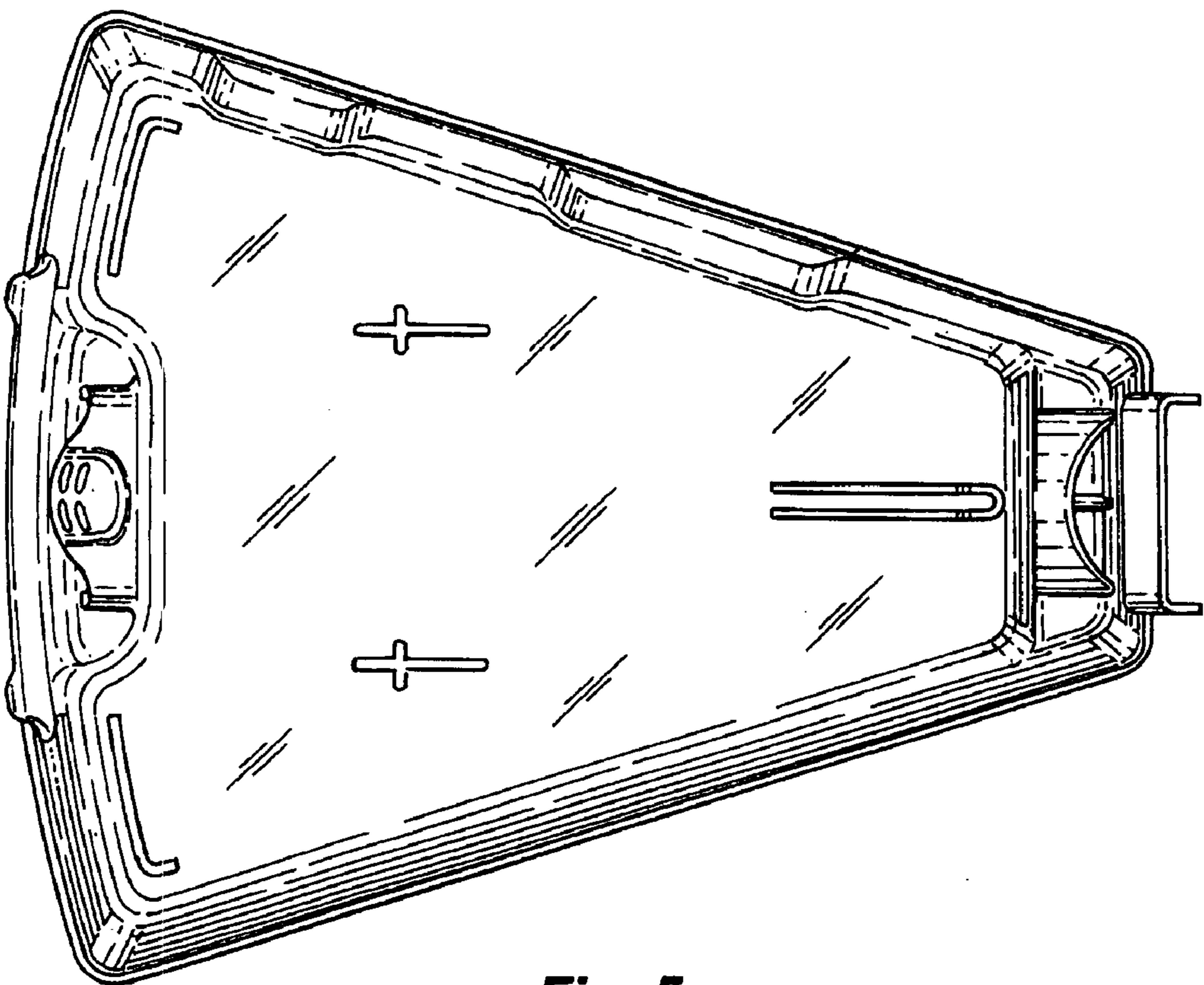
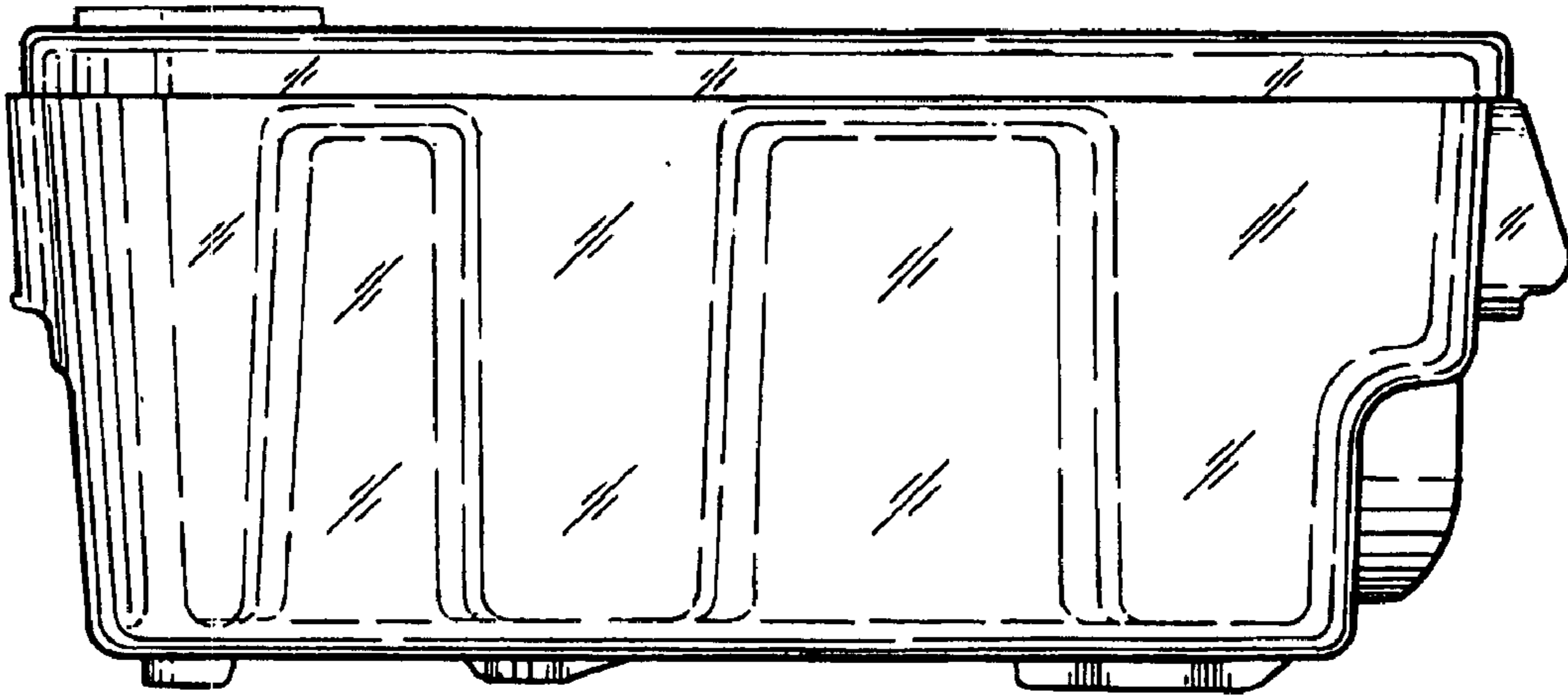


Fig. 5

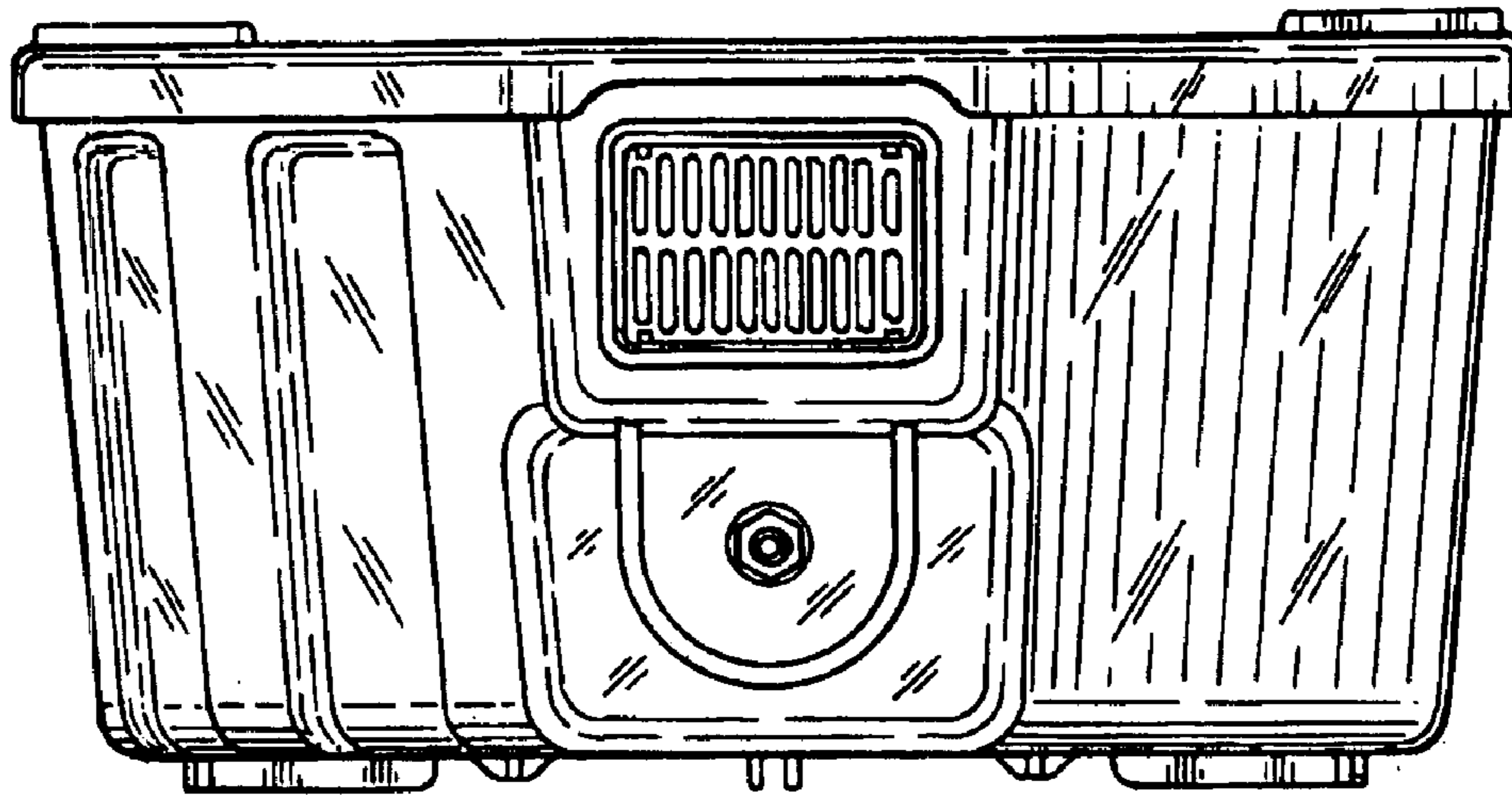


Fig. 6

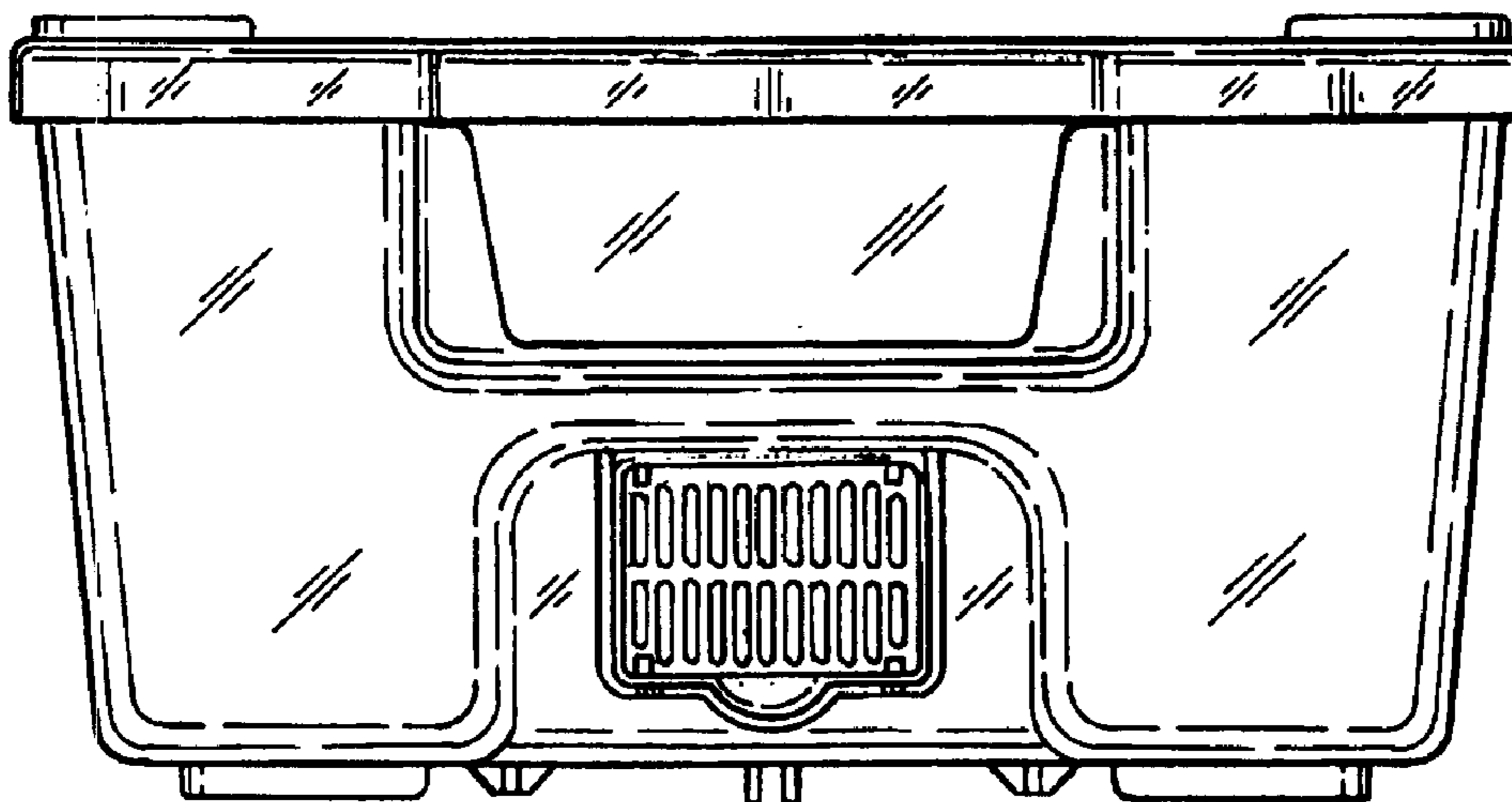


Fig. 7