



US00D533967S

(12) **United States Design Patent**
Dolenak

(10) **Patent No.:** **US D533,967 S**

(45) **Date of Patent:** **** Dec. 19, 2006**

(54) **GLOVE WITH ENHANCED CUFF**

D463,089 S * 9/2002 Novak D2/617
6,810,531 B1 11/2004 Lento
6,832,391 B1 12/2004 Bower

(75) Inventor: **Kenneth Dolenak**, Moorpark, CA (US)

(73) Assignee: **Ringers Resource, Inc.**, Moor Park, CA (US)

(**) Term: **14 Years**

(21) Appl. No.: **29/245,254**

(22) Filed: **Dec. 20, 2005**

(51) **LOC (8) Cl.** **02-06**

(52) **U.S. Cl.** **D29/116.2**

(58) **Field of Classification Search** D2/610,
D2/617-621, 623; D29/113-114, 116.2, 117.1,
D29/117.2, 123; 2/16, 20, 159, 161.1-161.8,
2/907, 910, 917

See application file for complete search history.

OTHER PUBLICATIONS

Fox Racing Flexair Glove—<http://shop.foxracing.com/ecom/Products/ProductForward.do?forward=product.pagedef&prold=8693&cid=55&cname=Gloves&proNumber=03114&imgName=03114003F.jpg>.

* cited by examiner

Primary Examiner—Robert A. Delehanty

(74) *Attorney, Agent, or Firm*—Hankin Patent Law; Marc E. Hankin

(57) **CLAIM**

The ornamental design for a glove with enhanced cuff, as shown and described.

DESCRIPTION

FIG. 1 is a top plan view of a glove with enhanced cuff showing my new design;

FIG. 2 is an enlarged plan view of the enlarged cuff shown separately for clarity of illustration; and,

FIG. 3 is a cross sectional elevation view taken along lines 3—3.

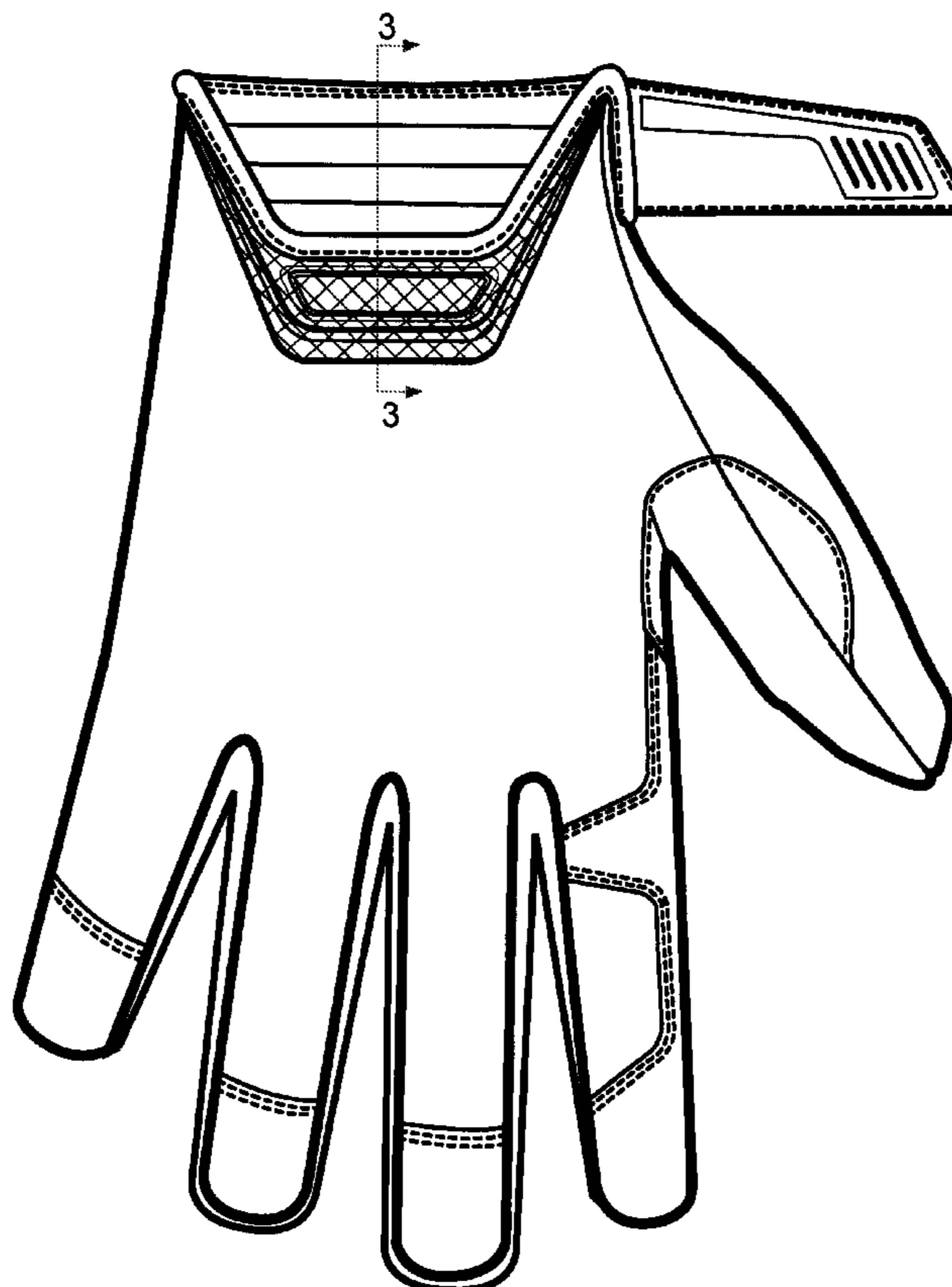
The broken lines shown on the glove are understood to represent stitching.

1 Claim, 2 Drawing Sheets

(56) **References Cited**

U.S. PATENT DOCUMENTS

2,034,120	A	3/1936	Straus	
2,154,197	A	4/1939	Callaway	
2,270,363	A	1/1942	Weeber	
D179,975	S	* 4/1957	Kantor D2/618
3,096,523	A	7/1963	Bruchas	
3,501,773	A	3/1970	Stansberry et al.	
5,444,874	A	8/1995	Samelian et al.	
D388,586	S	* 1/1998	Kerns D2/617
6,425,136	B1	* 7/2002	Schlamp et al. 2/159



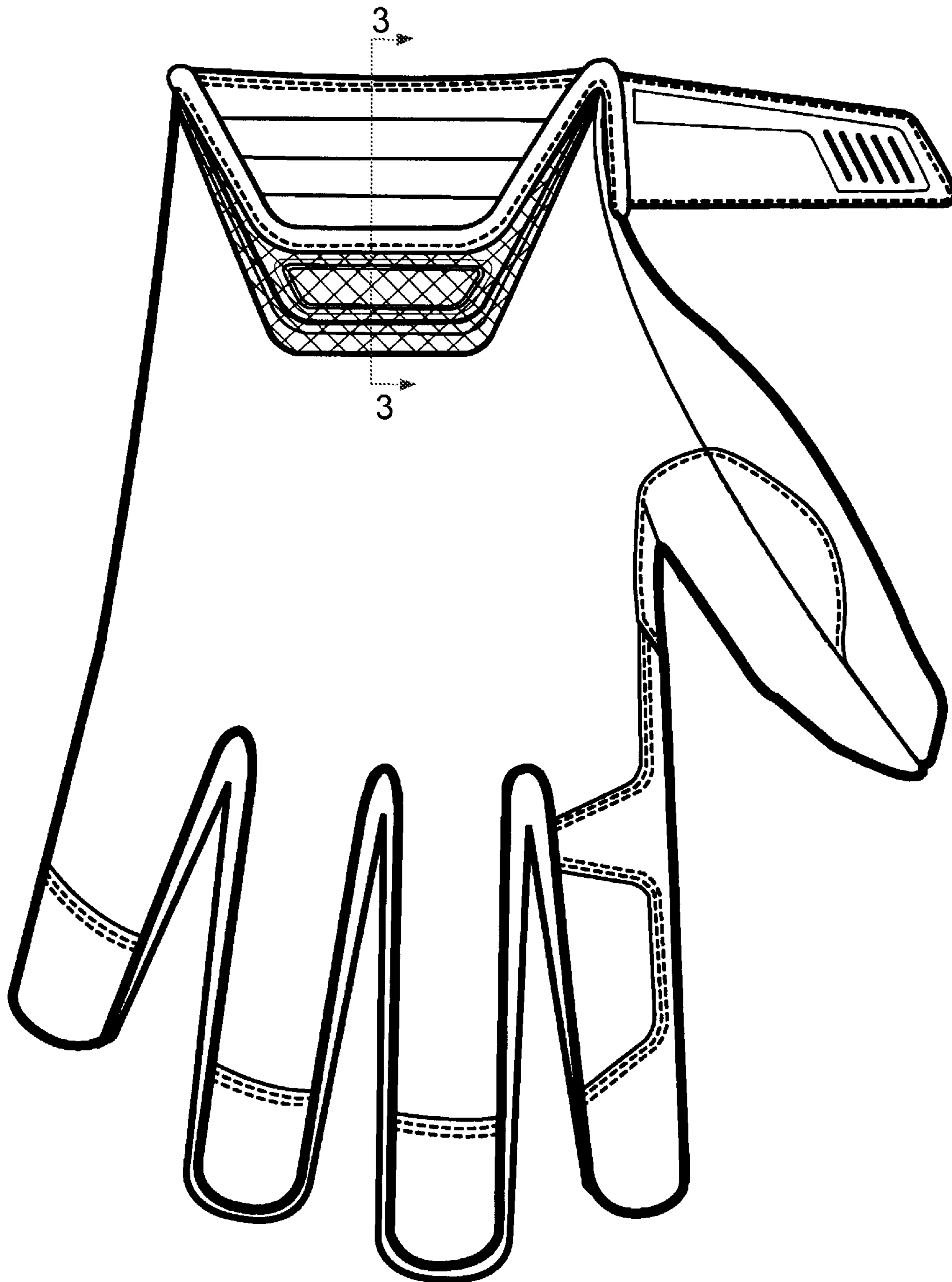


Fig. 1

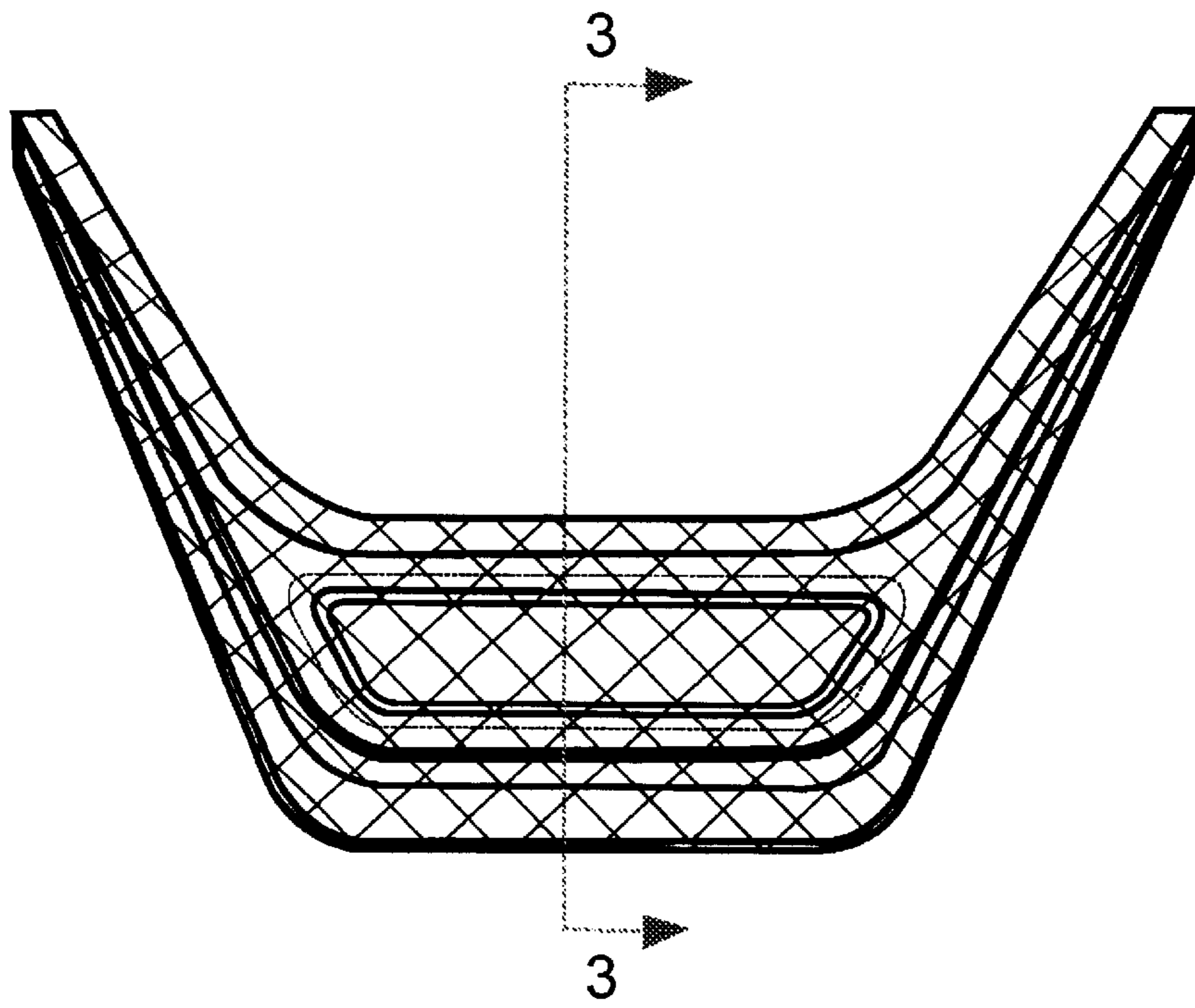


Fig. 2



Fig. 3