



US00D533959S

(12) **United States Design Patent**
Wambaugh et al.

(10) **Patent No.:** **US D533,959 S**

(45) **Date of Patent:** **** Dec. 19, 2006**

(54) **CEILING LIGHT RIM**

(75) Inventors: **Robert Wambaugh**, Culver City, CA
(US); **Sarah Beck**, Culver City, CA
(US)

(73) Assignee: **Wambaugh, Inc.**, Santa Monica, CA
(US)

(**) Term: **14 Years**

(21) Appl. No.: **29/206,107**

(22) Filed: **May 25, 2004**

(51) **LOC (8) Cl.** **26-99**

(52) **U.S. Cl.** **D26/138**

(58) **Field of Classification Search** D26/128-138,
D26/74, 118, 142-145, 80-94, 113, 131,
D26/61, 152; 362/404-408, 363, 364, 365,
362/375

See application file for complete search history.

(56) **References Cited**

U.S. PATENT DOCUMENTS

3,966,326	A	*	6/1976	Brull et al.	356/364
D353,910	S	*	12/1994	Hayman et al.	D26/118
D370,550	S	*	6/1996	Lecluze	D26/118
D386,805	S	*	11/1997	Bonnette et al.	D26/74
D387,466	S	*	12/1997	Lecluze	D26/118
D427,368	S	*	6/2000	Kelmelis et al.	D26/152

D437,654	S	*	2/2001	Chen	D26/74
6,250,781	B1	*	6/2001	Straus et al.	362/375
D469,210	S	*	1/2003	Homann	D26/118
D469,211	S	*	1/2003	Homann	D26/118
D469,213	S	*	1/2003	Huang	D26/139
D471,312	S	*	3/2003	Homann	D26/118
D475,802	S	*	6/2003	Homann	D26/74

* cited by examiner

Primary Examiner—Freda S. Nunn

Assistant Examiner—Kevin K. Rudzinski

(74) *Attorney, Agent, or Firm*—Cislo & Thomas, LLP

(57) **CLAIM**

The ornamental design for a ceiling light rim, as shown and described.

DESCRIPTION

FIG. 1 is a perspective view of a ceiling light rim;

FIG. 2 is a top plan view thereof;

FIG. 3 is a cross-sectional side view of FIG. 2 taken along line 3—3;

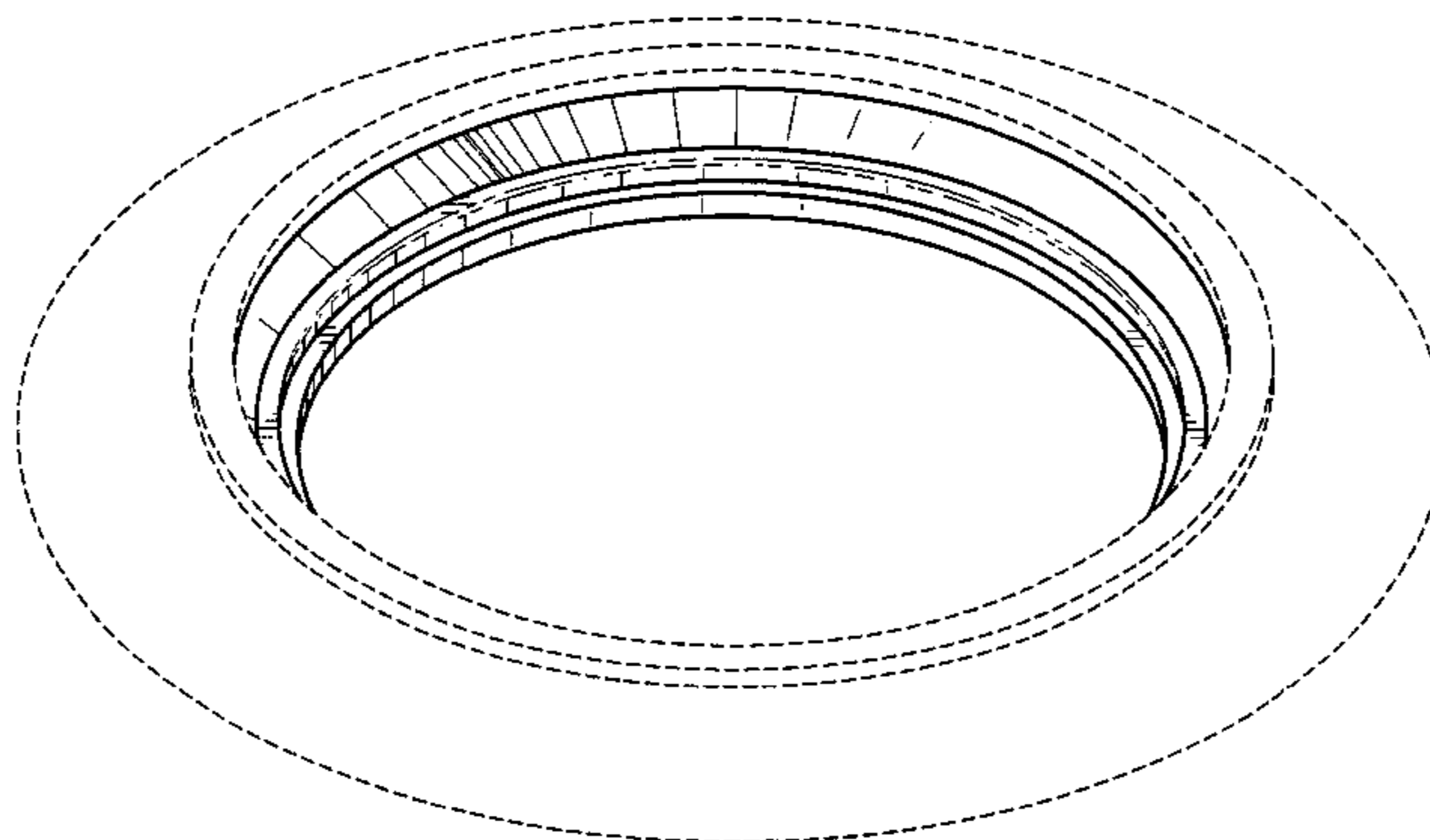
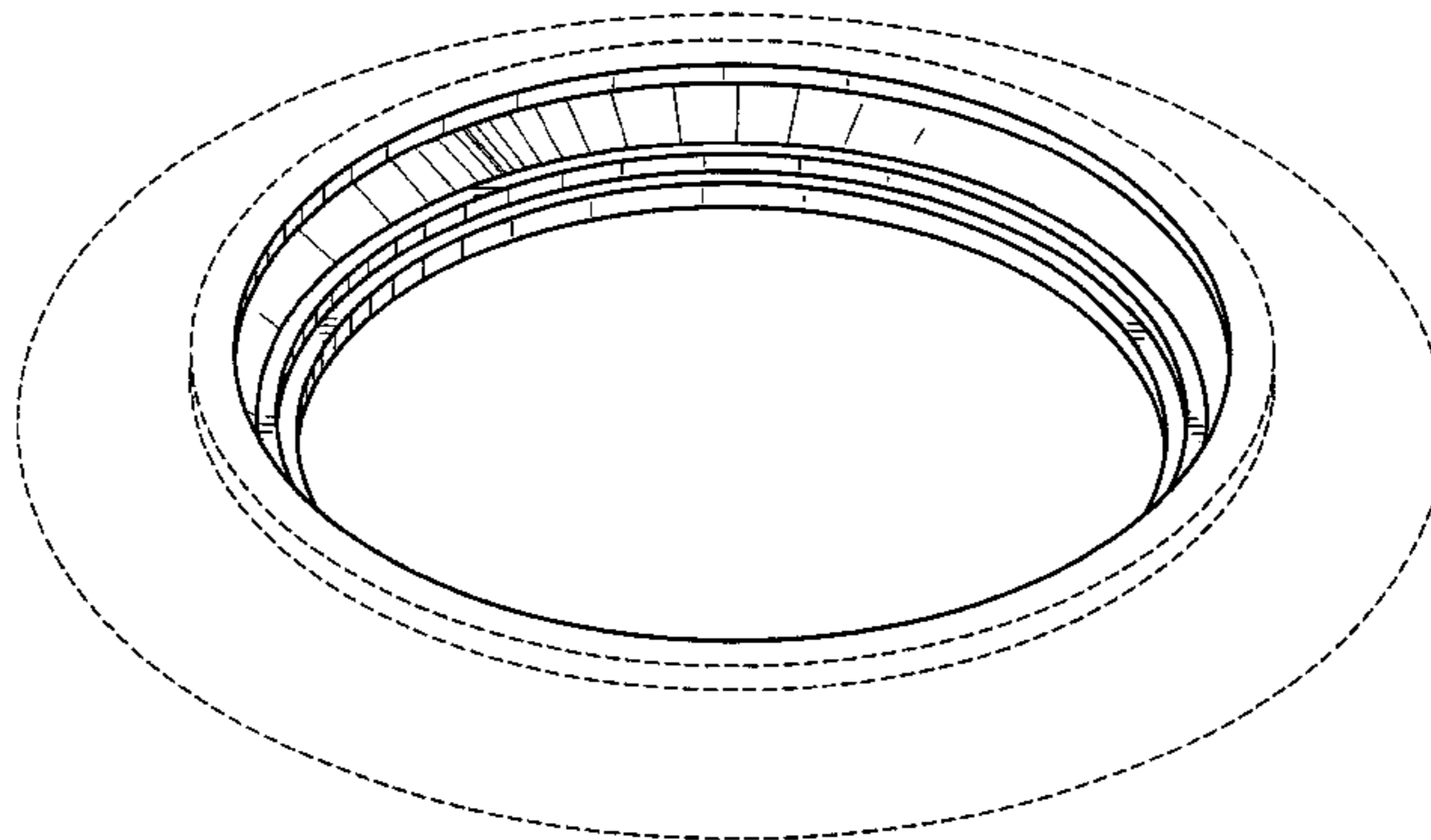
FIG. 4 is a perspective view of an alternate embodiment of a ceiling light rim;

FIG. 5 is a top plan view thereof; and,

FIG. 6 is a cross-sectional side view of FIG. 5 taken along line 6—6.

The broken line portions of the disclosure are for illustrative purposes only and form no part of the claimed design.

1 Claim, 4 Drawing Sheets



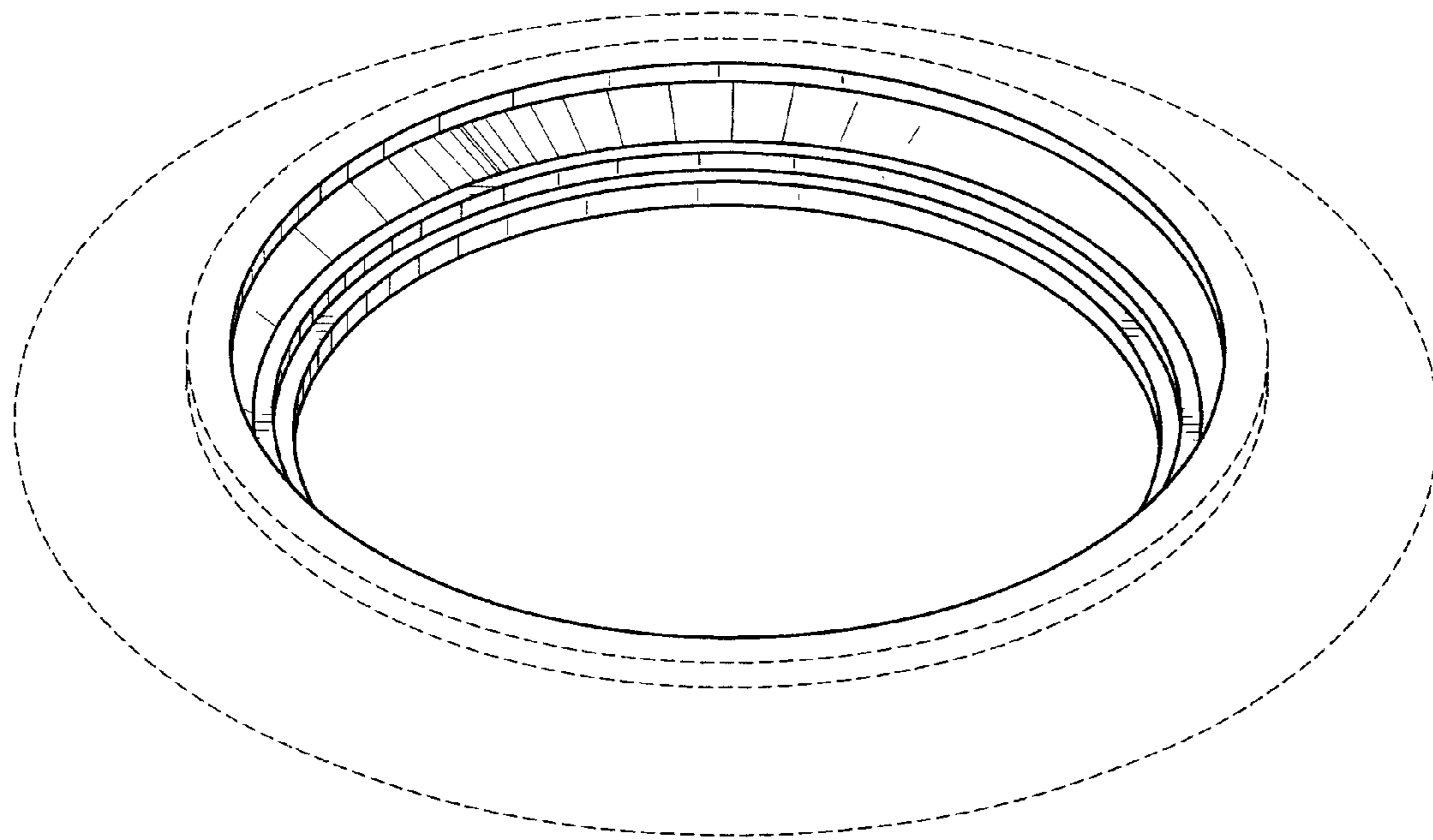


FIG. 1

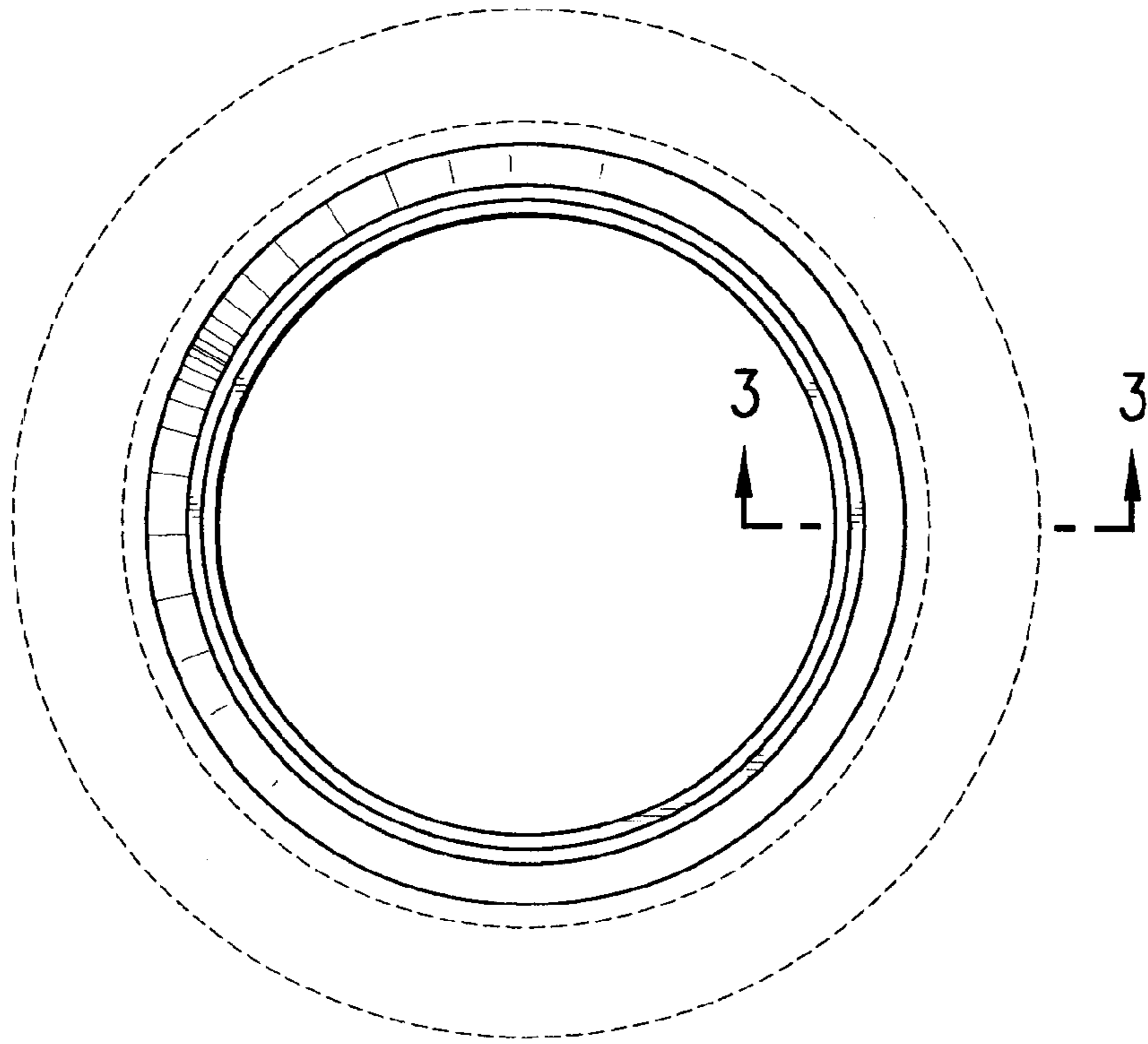


FIG. 2

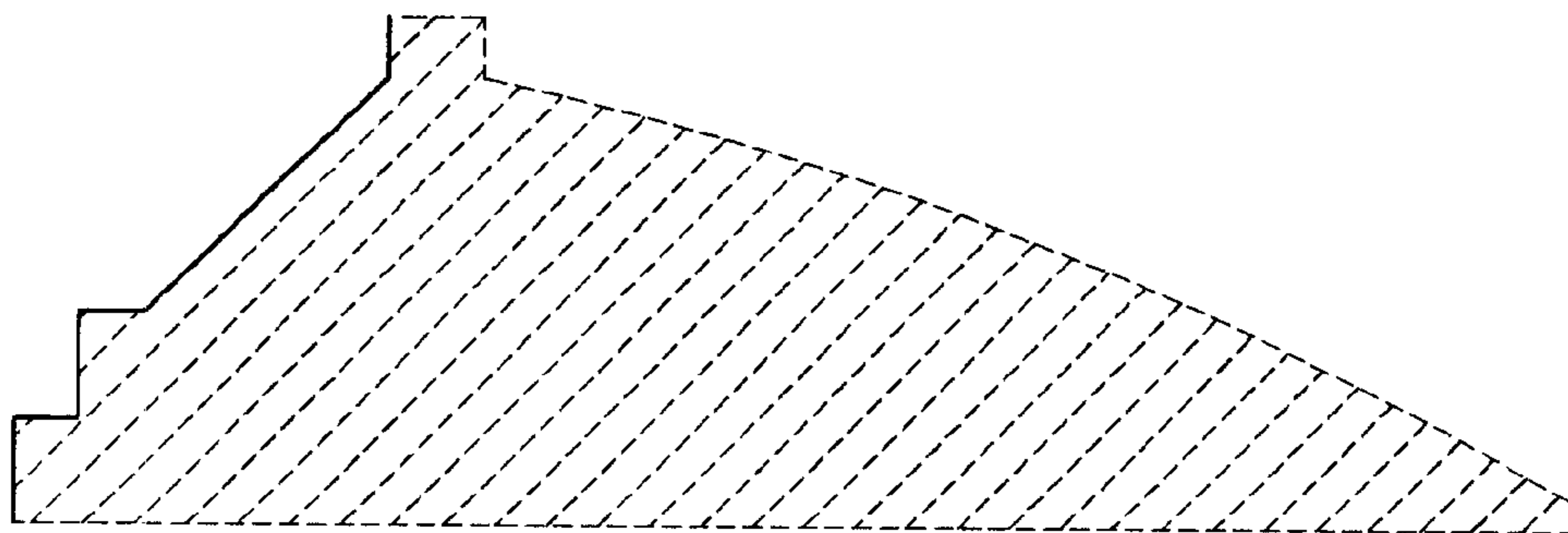


FIG. 3

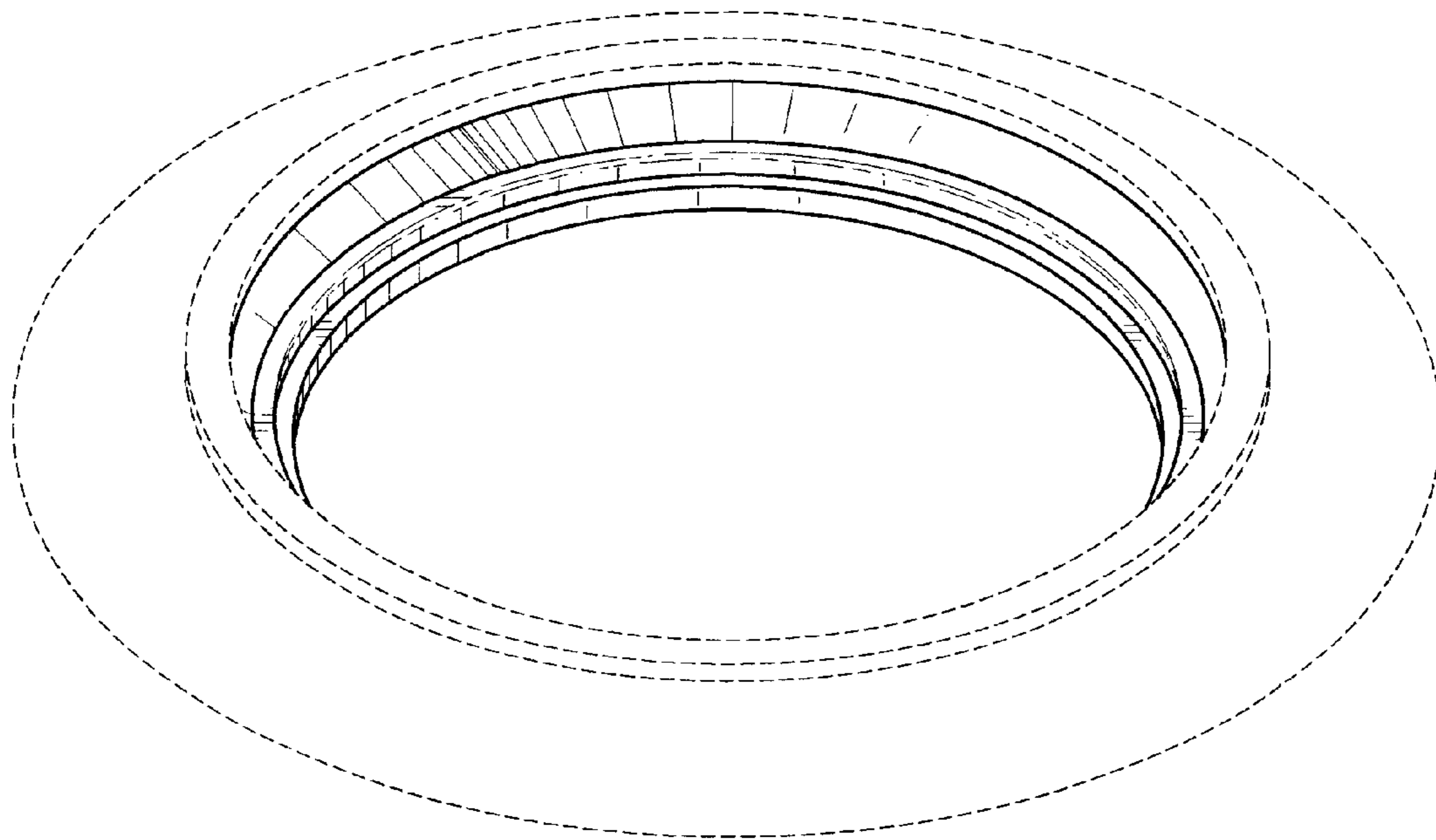


FIG. 4

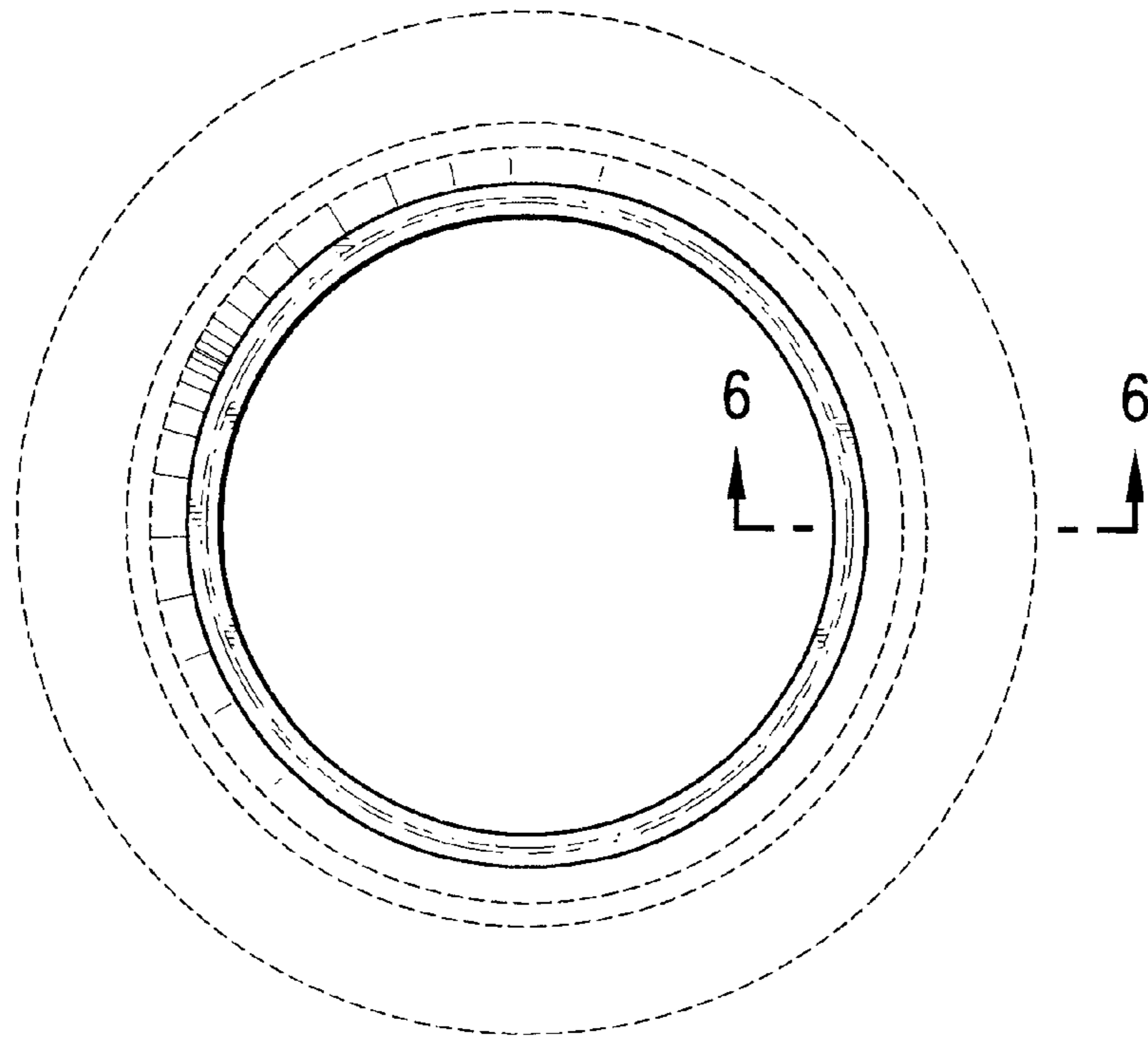


FIG. 5

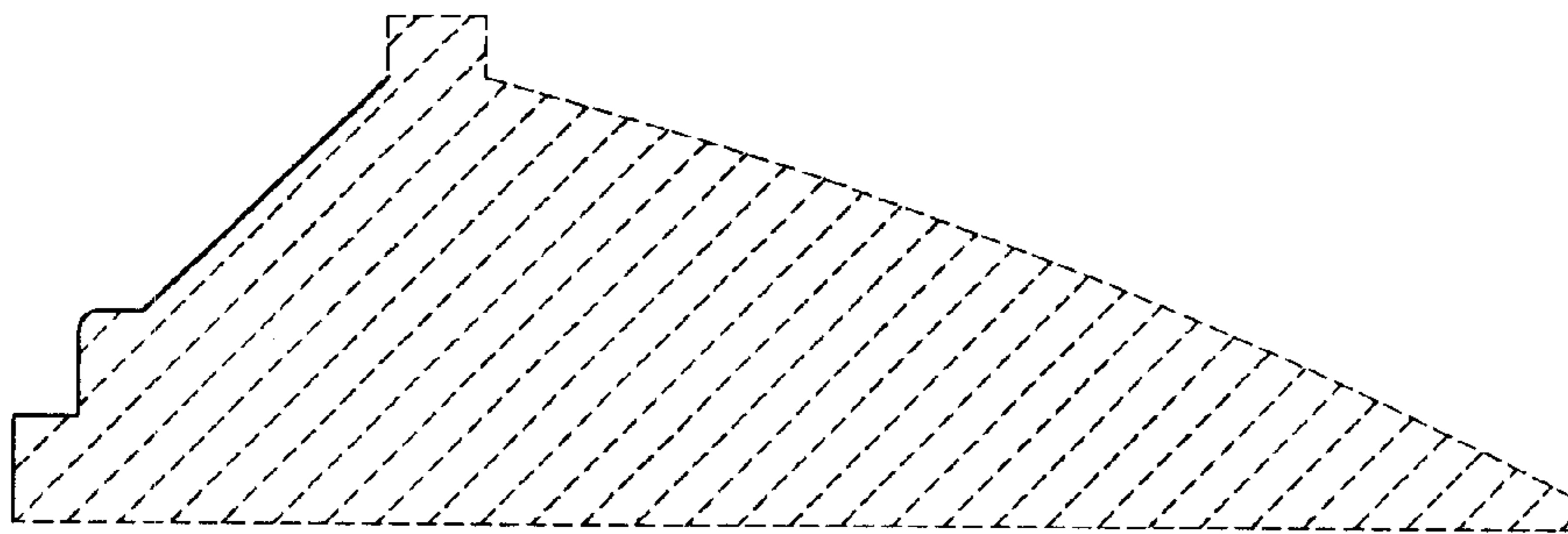


FIG. 6