



US00D533952S

(12) **United States Design Patent** (10) **Patent No.:** **US D533,952 S**
Adams et al. (45) **Date of Patent:** **** Dec. 19, 2006**

(54) **DECORATIVE CANDLE HOLDER**
(75) Inventors: **Mary Beth Adams**, Antioch, IL (US);
Chris A. Kubicek, East Troy, WI (US);
Romuald Marie, Paris (FR)

1,640,734 A 8/1927 Smith
D75,463 S 6/1928 Bach
D80,971 S 4/1930 Sakier
D83,100 S 1/1931 Gisolfi

(Continued)

(73) Assignee: **S.C. Johnson & Son, Inc.**, Racine, WI (US)

FOREIGN PATENT DOCUMENTS

(**) **Term:** **14 Years**

DE 3403604 8/1985
DE 4203644 8/1993
DE 4241292 5/1994

(Continued)

(21) Appl. No.: **29/234,493**

(22) Filed: **Jul. 19, 2005**

OTHER PUBLICATIONS

Related U.S. Application Data

(62) Division of application No. 11/123,461, filed on May 6, 2005, and a division of application No. 11/123,809, filed on May 6, 2005.

(51) **LOC (8) Cl.** **26-01**

(52) **U.S. Cl.** **D26/9**

(58) **Field of Classification Search** D26/9-11;
431/288, 291, 125-6

See application file for complete search history.

International Candle House catalog (1966-67); Bobeshes pp. 54-55.

Pourette Catalog 1998; p. 12.

Prices London Candlemakers; <http://www.prices-candle-s.co.uk/mainpage.htm>; 1 page, printed Apr. 21, 2005.

Prices London Candlemakers; <http://www.prices-candle-s.co.uk/catalogue/Accessories/>

Accessories%20Page%2008.jpg; 1 page; printed Apr. 21, 2005.

Two (2) photos Price's "Coral Bay Fragranced Bathroom" product taken Jan. 1, 1999.

Stepanie Reiser Wrought Iron—"Welcome to Courting-Candle.com!" <http://www.courtingcandle.com>; 1 page printed on May 12, 2004.

Primary Examiner—Robin Webster

(56) **References Cited**

U.S. PATENT DOCUMENTS

213,184 A 3/1879 Frick
405,786 A 6/1889 Ludde
407,051 A 7/1889 Baumer
408,973 A 8/1889 Heller
484,210 A 10/1892 Ludde
779,644 A 1/1905 Ferrier
837,240 A 11/1906 Mulkerins
1,044,256 A 11/1912 Satter
D43,845 S 4/1913 Hirschfeld
1,195,657 A 8/1916 Chersky
D49,902 S 11/1916 Labaree et al.
1,229,140 A 6/1917 Ritter
1,316,624 A 9/1919 Lucas
1,320,109 A 10/1919 Wooster
1,336,635 A 4/1920 Knapp
1,484,964 A 2/1924 Benneville
D67,108 S 4/1925 Steeple

(57) **CLAIM**

The ornamental design for a decorative candle holder, as shown and described.

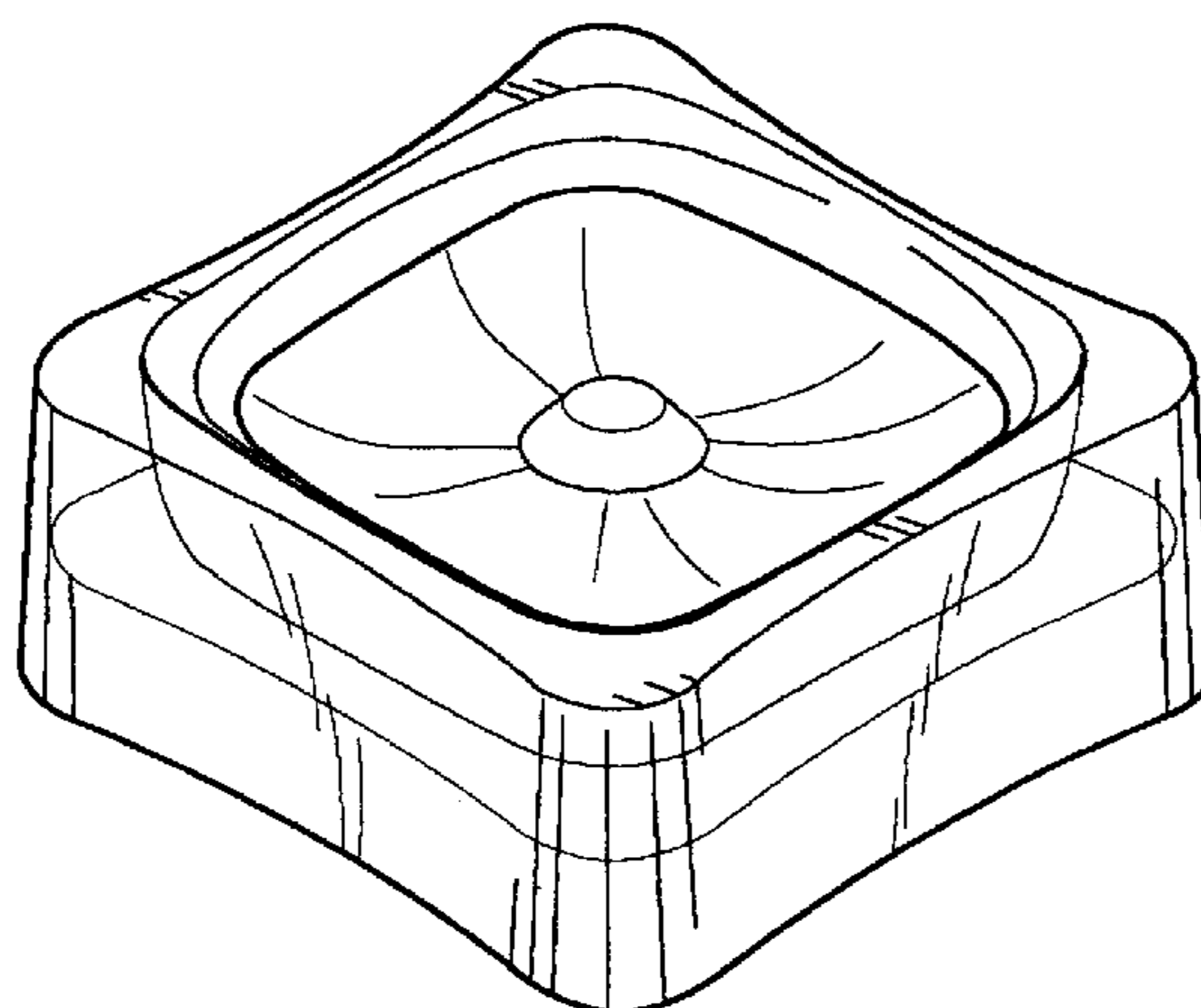
DESCRIPTION

FIG. 1 is an isometric view of a decorative candle holder having a base and a melting plate;

FIG. 2 is a front elevational view of the decorative candle holder shown in FIG. 1, the rear side, left side, and right side elevational views being substantially identical thereto; and,

FIG. 3 is a plan view of the decorative candle holder shown in FIG. 1.

1 Claim, 3 Drawing Sheets



US D533,952 S

U.S. PATENT DOCUMENTS					
D105,118 S	6/1937	Mackelfresh, Jr.	5,069,617 A	12/1991	Lin
D110,902 S	8/1938	Loesch	5,078,591 A	1/1992	Depres
D119,587 S	3/1940	Fuerst	5,078,945 A	1/1992	Byron
2,234,903 A	3/1941	Muench	5,086,380 A	2/1992	Hedner, Jr.
2,237,523 A	4/1941	Damon	D325,077 S	3/1992	Kearnes
2,246,346 A	6/1941	Wells	5,101,328 A	3/1992	Hai
2,254,906 A	9/1941	Petrulis	D329,942 S	10/1992	Carr
2,324,753 A	7/1943	Alexiade	5,174,645 A	12/1992	Chung
2,354,343 A	7/1944	Webber et al.	5,193,994 A	3/1993	Shirneker
2,393,767 A	1/1946	Gould	5,338,187 A	8/1994	Elharar
2,462,440 A	2/1949	Tierney	5,363,590 A	11/1994	Lee
2,494,995 A	1/1950	Gardner	D355,266 S	2/1995	Caplette et al.
2,713,256 A	7/1955	Oseterle	D356,472 S	3/1995	Jaworski
2,758,460 A	8/1956	Ciano	5,425,633 A	6/1995	Cole
2,775,006 A	12/1956	Kranc	D360,461 S	7/1995	Gillespie
2,809,512 A	10/1957	Hartnett	D369,221 S	* 4/1996	Linderman D26/9
RE24,423 E	2/1958	Oesterle et al.	D369,871 S	5/1996	Lui
3,121,316 A	2/1964	Wilson	D371,212 S	6/1996	Hardy et al.
D206,946 S	2/1967	Knodt	D376,002 S	11/1996	Upson
D208,064 S	7/1967	Quistgaard et al.	D377,402 S	1/1997	Perkins
D208,097 S	7/1967	Henn	D383,555 S	9/1997	Hardy
3,565,281 A	2/1971	Collie	D383,944 S	9/1997	Lillelund et al.
D226,240 S	1/1973	Twedt	5,690,484 A	11/1997	Leonard et al.
3,730,674 A	5/1973	Gross	D390,676 S	2/1998	Hollington
3,741,711 A	6/1973	Bryant	D391,119 S	2/1998	Rapaz
3,749,904 A	7/1973	Graff	D393,910 S	4/1998	Chambers et al.
3,762,857 A	10/1973	Andeweg	D394,513 S	5/1998	Davis
D229,852 S	1/1974	Lindblad	5,807,096 A	9/1998	Shin et al.
D236,064 S	7/1975	Balbo	D399,298 S	10/1998	Whitehead
3,898,039 A	8/1975	Lin	5,840,246 A	11/1998	Hammons et al.
3,910,753 A	10/1975	Lee	5,842,850 A	12/1998	Pappas
3,932,113 A	1/1976	Thrush	5,843,194 A	12/1998	Spaulding
3,994,502 A	11/1976	Lombardi	5,871,553 A	2/1999	Spaulding
4,013,397 A	3/1977	Neugart	D410,756 S	6/1999	Kleinberg
4,019,856 A	4/1977	Lacroix	5,921,767 A	7/1999	Song
D247,635 S	3/1978	Maxwell	5,927,959 A	7/1999	Johnson
D248,499 S	7/1978	Ulrich et al.	5,951,278 A	9/1999	Young et al.
D248,500 S	7/1978	Ulrich et al.	5,955,034 A	9/1999	Zaunbrecher et al.
4,102,634 A	7/1978	Crisp	5,955,958 A	9/1999	Lu
D248,787 S	8/1978	Ulrich et al.	D415,295 S	* 10/1999	Kochis et al. D26/9
D248,788 S	8/1978	Ulrich et al.	5,961,967 A	10/1999	Powell et al.
D248,789 S	8/1978	Ulrich et al.	D416,099 S	11/1999	Hardy
D253,432 S	11/1979	Van Koert	D416,341 S	11/1999	Allen
D253,732 S	12/1979	Van Koert	5,980,241 A	11/1999	Schirneker
4,185,953 A	1/1980	Schirneker	6,019,804 A	2/2000	Requejo et al.
4,206,500 A	6/1980	Neil	6,033,209 A	3/2000	Shin et al.
4,206,560 A	6/1980	Sefried, II	D422,180 S	4/2000	Sundberg
4,224,017 A	9/1980	Kayne	6,050,812 A	4/2000	Chuang
D257,641 S	12/1980	Taylor	D425,220 S	5/2000	Klett et al.
D264,385 S	5/1982	Meyer	D425,636 S	5/2000	Freeman
4,332,548 A	6/1982	Linton et al.	6,059,564 A	5/2000	Morris
4,381,914 A	5/1983	Ferguson	6,062,847 A	5/2000	Pappas
4,427,366 A	1/1984	Moore	6,068,472 A	5/2000	Freeman et al.
4,477,249 A	10/1984	Ruzek et al.	D426,902 S	6/2000	Hardy et al.
4,524,408 A	6/1985	Minera	6,074,199 A	6/2000	Song
D280,443 S	9/1985	Boss	6,079,975 A	6/2000	Conover
4,551,794 A	11/1985	Sandell	6,099,877 A	8/2000	Schuppan
4,557,687 A	12/1985	Schirneker	D430,943 S	9/2000	Zutler
4,568,269 A	2/1986	Lin	D433,168 S	10/2000	Cousins
4,568,270 A	2/1986	Marcus et al.	6,129,771 A	10/2000	Ficke et al.
4,588,618 A	5/1986	Wolfe	6,152,728 A	11/2000	Griffel
D285,396 S	* 9/1986	Odate D6/536	D435,100 S	12/2000	Pesu et al.
D292,525 S	10/1987	Van Deelen	D436,415 S	* 1/2001	Hardy D26/9
4,755,135 A	7/1988	Kwok	D436,416 S	1/2001	Iu
4,781,895 A	11/1988	Spector	6,214,063 B1	4/2001	DeStefano et al.
4,804,323 A	2/1989	Kim	D443,080 S	5/2001	Klett et al.
D312,507 S	11/1990	Thoreson	D443,081 S	5/2001	Klett et al.
4,983,119 A	1/1991	Lin	D443,082 S	5/2001	Klett et al.
5,015,175 A	5/1991	Lee	D443,101 S	5/2001	Williamson
D320,266 S	9/1991	Kunze	6,231,336 B1	5/2001	Chen
			6,241,362 B1	6/2001	Morrison

US D533,952 S

6,241,513 B1	6/2001	Jeneral	D495,438 S	8/2004	Barbera et al.
D445,030 S	7/2001	Croft et al.	6,769,905 B1	8/2004	Gray et al.
D445,337 S	7/2001	Croft et al.	6,780,382 B1	8/2004	Furner
6,267,584 B1	7/2001	Zou	D496,474 S	9/2004	Murdick
6,270,339 B1	8/2001	Zou	D497,680 S	10/2004	McMinn
6,273,710 B1	8/2001	Zou	6,802,707 B1	10/2004	Furner
6,276,925 B1	8/2001	Varga	6,808,388 B1	10/2004	Lee
D447,418 S	9/2001	Bezek et al.	6,849,240 B1	2/2005	Nakatsu et al.
6,290,489 B1	9/2001	Seidler	D508,291 S	8/2005	Janssen
D448,867 S	10/2001	Manocheo et al.	6,923,639 B1	8/2005	Pesu et al.
6,296,477 B1	10/2001	Lin	2001/0031438 A1	10/2001	Hannington et al.
6,299,435 B1	10/2001	Freeman et al.	2002/0066789 A1	6/2002	Yen
D450,395 S	11/2001	Bellenger	2002/0068009 A1	6/2002	Laudamiel-Pellet
D450,865 S	11/2001	Bellenger et al.	2002/0068010 A1	6/2002	Laudamiel-Pellet
6,361,311 B1	3/2002	Smith	2002/0093834 A1	7/2002	Yu
D455,486 S	4/2002	Makino	2002/0102187 A1	8/2002	Bellenger et al.
D455,846 S	4/2002	Araujo	2002/0119413 A1	8/2002	Cheng
D456,536 S	4/2002	Araujo	2002/0127507 A1	9/2002	Long
D456,539 S	4/2002	Leeds	2003/0064336 A1	4/2003	Welch
6,371,756 B1	4/2002	Toohey	2003/0134246 A1	7/2003	Gray et al.
D459,498 S	6/2002	Araujo	2003/0162142 A1	8/2003	Bennetts et al.
6,398,544 B1	6/2002	Wright et al.	2003/0175148 A1	9/2003	Kvietok
D461,916 S	8/2002	Araujo	2004/0007787 A1	1/2004	Kvietok
D462,132 S	8/2002	Papai	2004/0009103 A1	1/2004	Westring
6,428,311 B1	8/2002	Bernardo	2004/0009447 A1	1/2004	Decker
6,439,471 B1	8/2002	Ehrlich et al.	2004/0016818 A1	1/2004	Murdell
D462,793 S	9/2002	Freeman et al.	2004/0028551 A1	2/2004	Kvietok
6,450,802 B1	9/2002	Steck	2004/0029061 A1	2/2004	Dibnah et al.
6,454,561 B1	9/2002	Colthar et al.	2004/0033171 A1	2/2004	Kvietok
D464,745 S	10/2002	Mangini et al.	2004/0033463 A1	2/2004	Pesu et al.
6,468,071 B1	10/2002	Zoy	2004/0128879 A1	7/2004	Lu
D465,587 S	11/2002	Papai	2004/0160764 A1	8/2004	Lee
D466,236 S	11/2002	Papai	2004/0223871 A1	11/2004	Woo
6,488,494 B1	12/2002	Lee	2004/0223943 A1	11/2004	Woo
6,491,516 B1	12/2002	Tal et al.	2004/0229180 A1	11/2004	Furner
D469,550 S	1/2003	Moeller	2004/0241053 A1	12/2004	Thompson
D469,893 S	* 2/2003	Shen D26/9	2004/0265164 A1	12/2004	Woo
6,520,770 B1	2/2003	Zou	2005/0019238 A1	1/2005	Hart et al.
D471,299 S	3/2003	Papai	2005/0037306 A1	2/2005	Nakatsu
6,531,063 B1	3/2003	Rose	2005/0079463 A1	4/2005	Yu
6,537,063 B1	3/2003	Pecoskie			
6,543,268 B1	4/2003	Wright et al.			
6,544,302 B1	4/2003	Berger et al.			
6,551,365 B1	4/2003	Berger et al.			
6,554,448 B1	4/2003	Carpenter et al.			
D474,854 S	5/2003	Lam			
6,568,934 B1	5/2003	Butler			
6,575,613 B1	6/2003	Brown et al.			
6,579,089 B1	6/2003	Iu			
6,592,637 B1	7/2003	McGee et al.			
6,595,771 B1	7/2003	Chu			
D478,180 S	8/2003	Boss			
6,616,308 B1	9/2003	Jensen et al.			
D481,143 S	10/2003	McMinn			
D481,473 S	10/2003	Walsh			
6,630,110 B1	10/2003	Urfig			
6,648,631 B1	11/2003	Wright et al.			
D485,624 S	1/2004	Kitamura			
6,688,880 B1	2/2004	Pangle			
6,695,611 B1	2/2004	Lee			
D487,687 S	3/2004	Shields, Jr.			
6,709,266 B1	3/2004	Jensen			
6,730,137 B1	5/2004	Pesu et al.			
6,733,279 B1	5/2004	Thigpen et al.			
D491,288 S	6/2004	Young			
D493,548 S	7/2004	Goldman			
D495,437 S	8/2004	Barbera			

FOREIGN PATENT DOCUMENTS

DE	4314122	11/1994
DE	44 25 179	1/1996
DE	195 48 958	5/1996
DE	195 08 962	9/1996
EP	0146247	6/1985
EP	1054054	11/2000
FR	2628825	3/1988
GB	1514338	6/1978
GB	2 239 942	7/1991
JP	362220594	9/1987
JP	406212189	8/1994
JP	408185710	7/1996
JP	2003-213292	7/2003
WO	WO 89/06141	7/1989
WO	WO 95/12783	5/1995
WO	WO 96/02794	2/1996
WO	WO 99/17055	4/1999
WO	WO 99/45322	9/1999
WO	WO 04/008026	1/2004
WO	WO 04/083718	9/2004
WO	WO 2004/083349	9/2004
WO	WO 04/090417	10/2004

* cited by examiner

FIG. 1

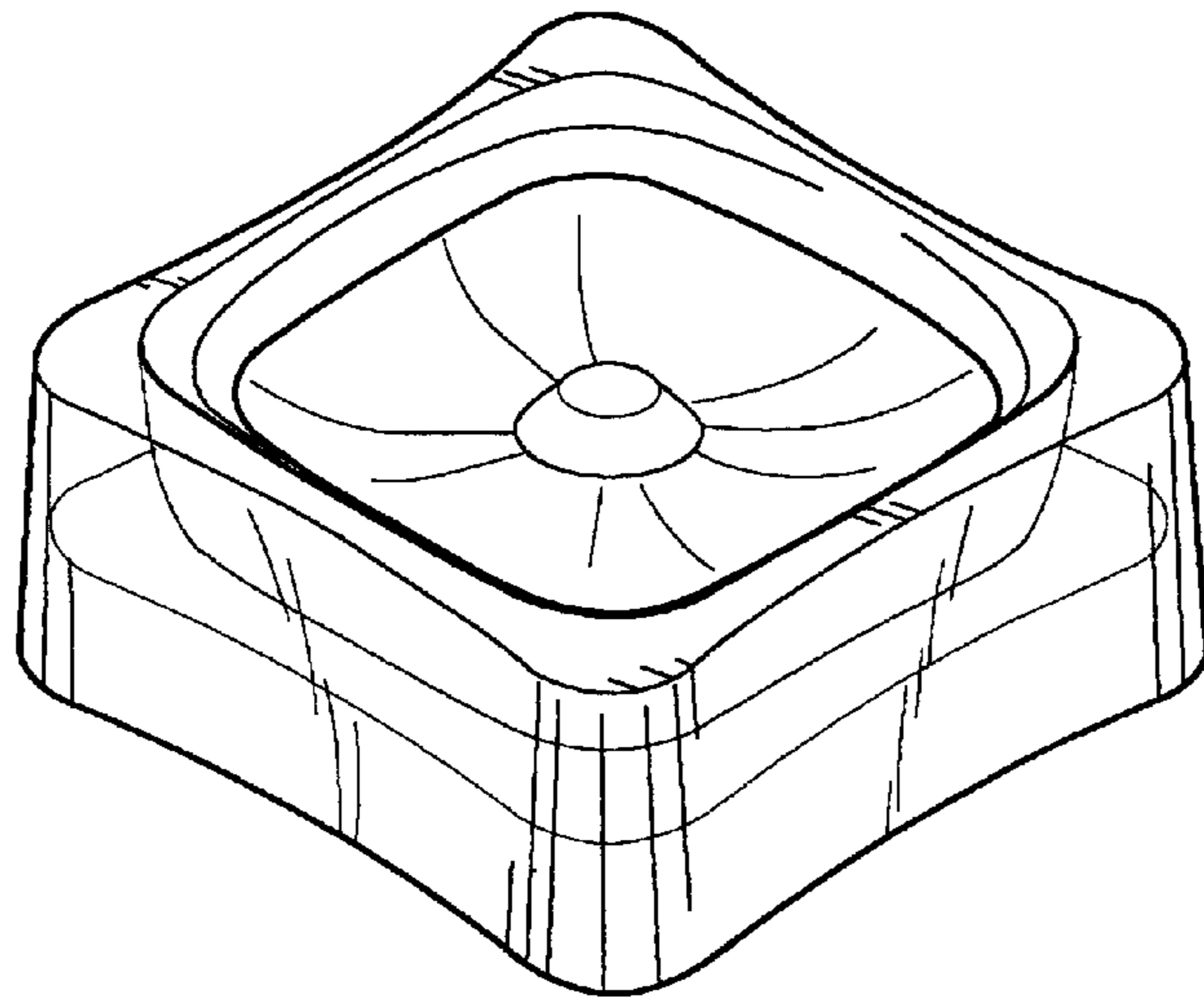


FIG. 2

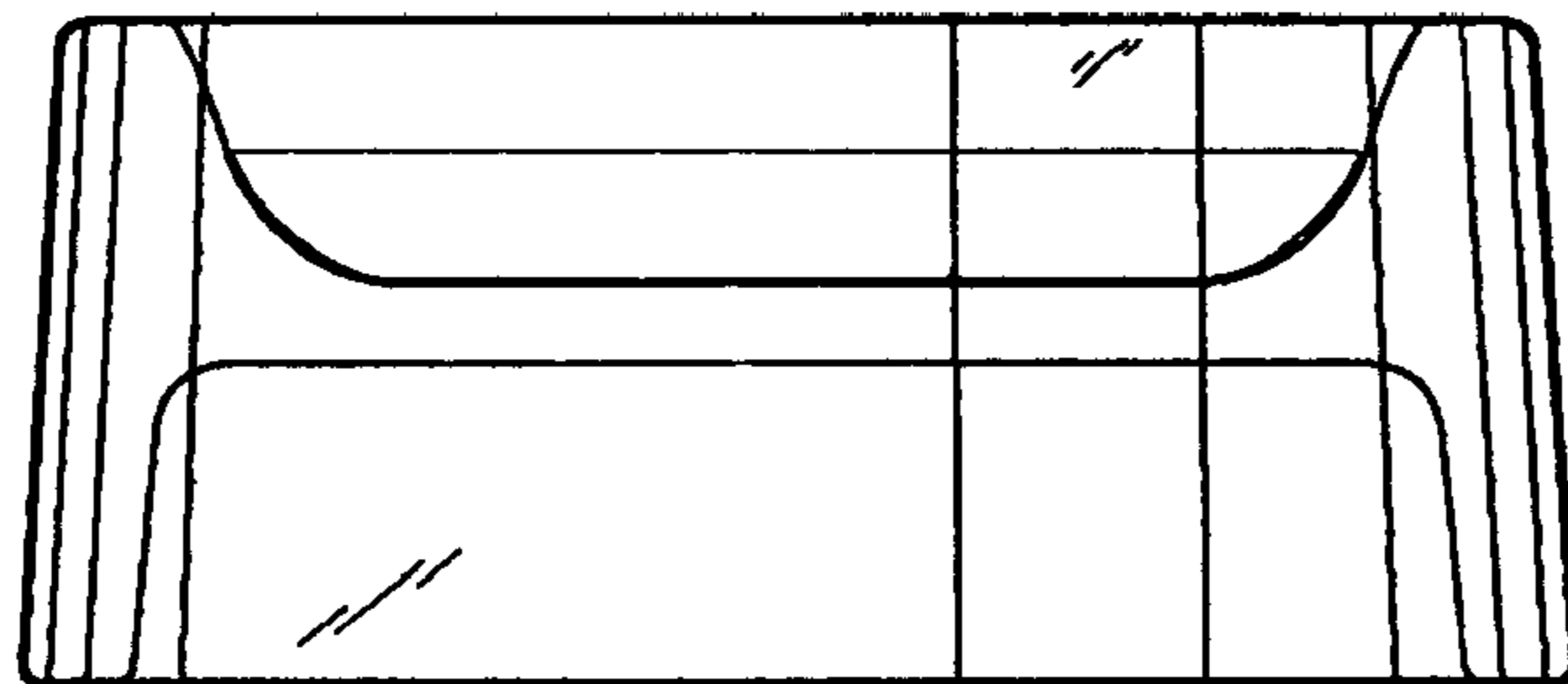


FIG. 3

