



US00D533950S

(12) **United States Design Patent**
Givoni

(10) **Patent No.:** **US D533,950 S**

(45) **Date of Patent:** **** Dec. 19, 2006**

- (54) **STRUCTURAL PANEL**
- (75) Inventor: **Shaul Givoni**, Upper Galilee (IL)
- (73) Assignee: **Dan-Pal**, Upper Galilee (IL)
- (**) Term: **14 Years**

5,895,701 A	4/1999	Givoni	
6,090,464 A	* 7/2000	Yoo	428/73
D431,658 S	10/2000	Gregori	
RE36,976 E	12/2000	Bezner	
6,499,255 B1	12/2002	Givoni	
D490,544 S	5/2004	Givoni	
D500,370 S	12/2004	Givoni	

- (21) Appl. No.: **29/211,983**
- (22) Filed: **Aug. 25, 2004**
- (30) **Foreign Application Priority Data**

Feb. 26, 2004 (IL)	38990
Feb. 26, 2004 (IL)	38991

- (51) **LOC (8) Cl.** **25-01**
- (52) **U.S. Cl.** **D25/138**
- (58) **Field of Classification Search** D25/122,
D25/138; 52/793.1, 793.11, 794.1, 795.1,
52/783.1; 428/116, 117, 118, 119, 120, 73,
428/72

See application file for complete search history.

(56) **References Cited**

U.S. PATENT DOCUMENTS

D211,516 S	6/1968	Pottiez	
4,573,300 A	3/1986	Bezner	
5,348,790 A	9/1994	Ben-Zvi et al.	
5,387,456 A	2/1995	Ben-Zvi et al.	
5,445,861 A	* 8/1995	Newton et al.	428/116
D366,943 S	2/1996	Sheehy	

* cited by examiner

Primary Examiner—Doris Clark
(74) *Attorney, Agent, or Firm*—Smith, Gambrell & Russell LLP

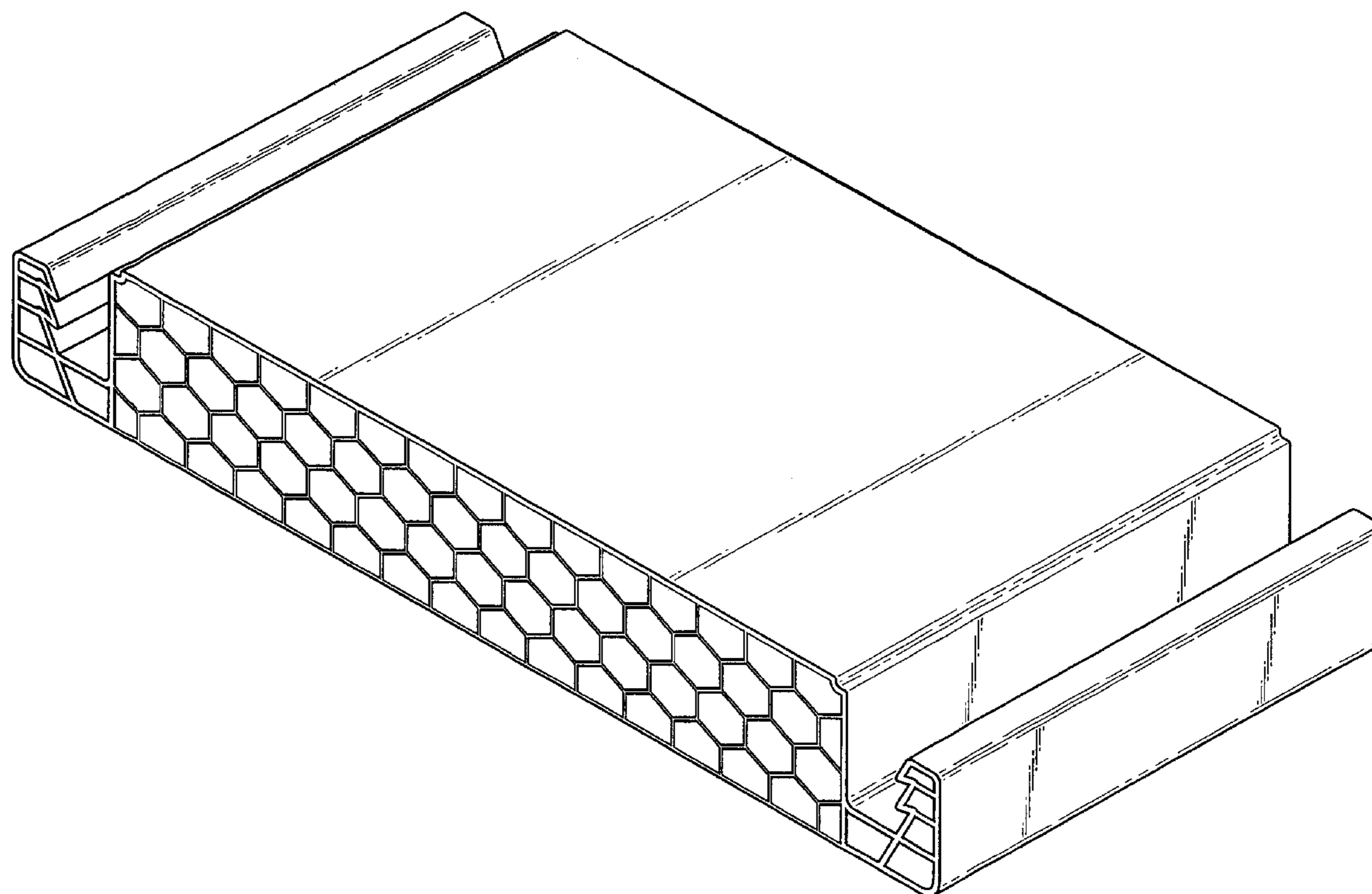
(57) **CLAIM**

The ornamental design for structural panel, as shown and described.

DESCRIPTION

FIG. 1 is shows a perspective view of a structural panel of the inventive subject matter;
 FIG. 2 shows a front elevational view of that which is shown in FIG. 1;
 FIG. 3 shows a rear elevational view of that which is shown in FIG. 1;
 FIG. 4 shows a left end elevational view of that which is shown in FIG. 1, the right side end being the same;
 FIG. 5 shows a top plan view of that which is shown in FIG. 1; and,
 FIG. 6 shows a bottom plan view of that which is shown in FIG. 1.

1 Claim, 4 Drawing Sheets



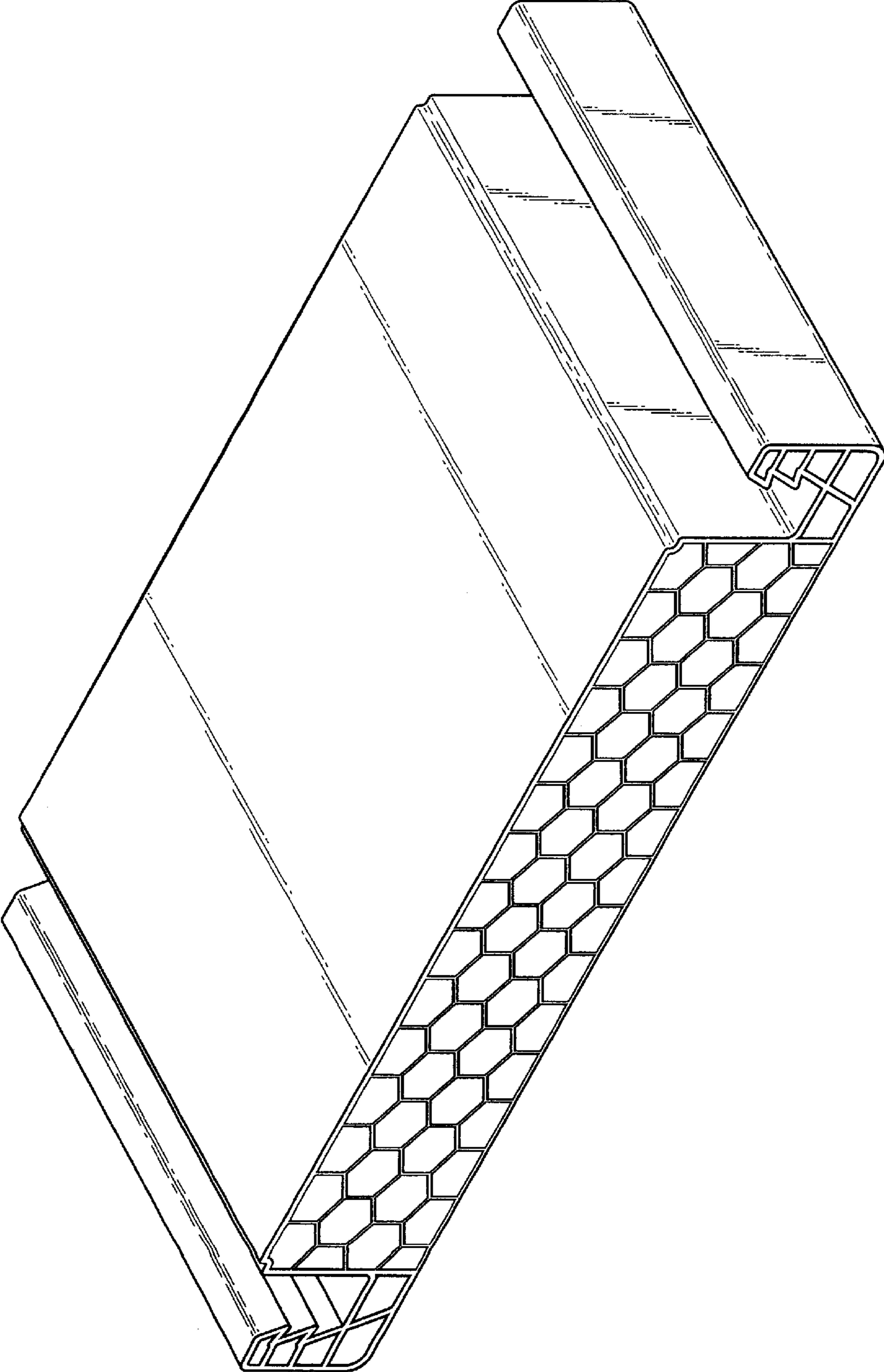


Fig. 1.

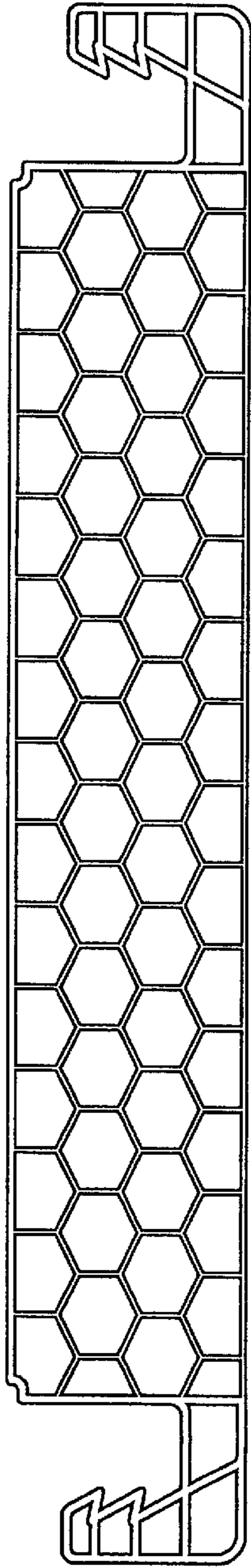


Fig. 2.

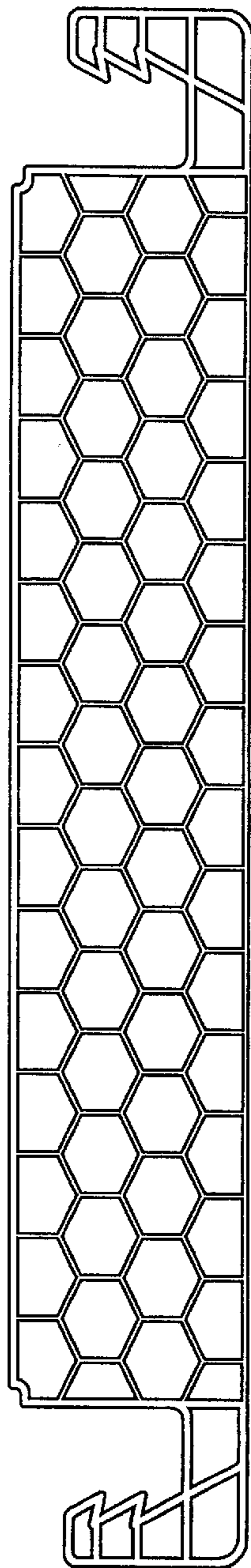


Fig. 3.

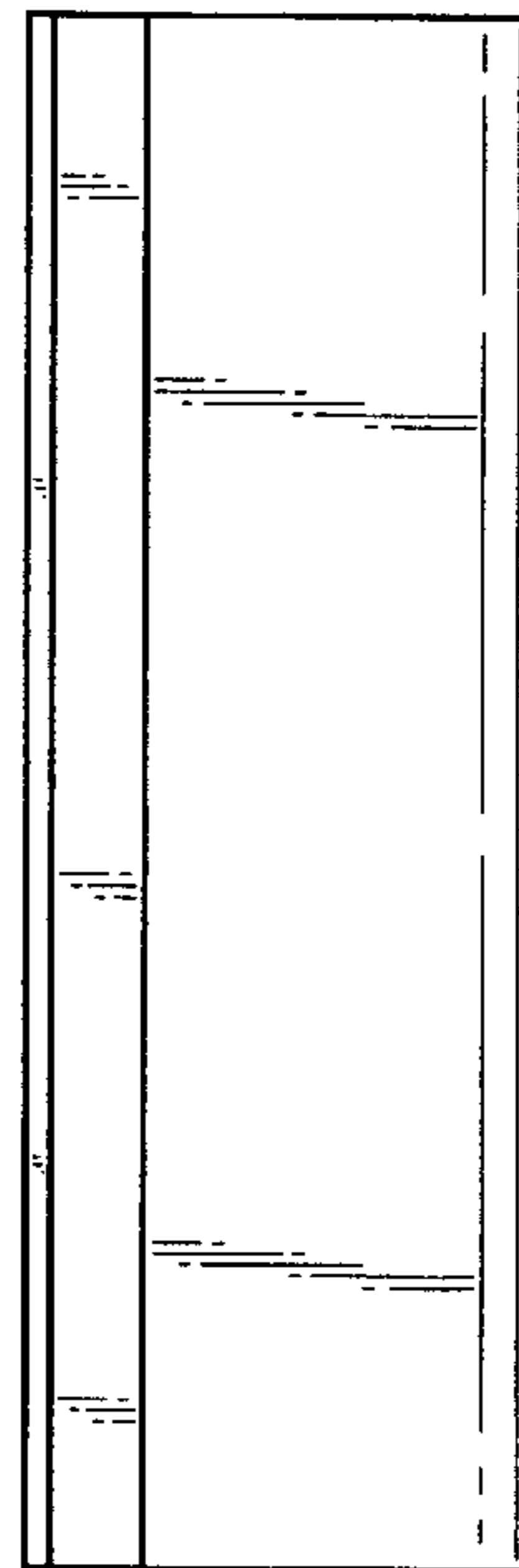


Fig. 4.

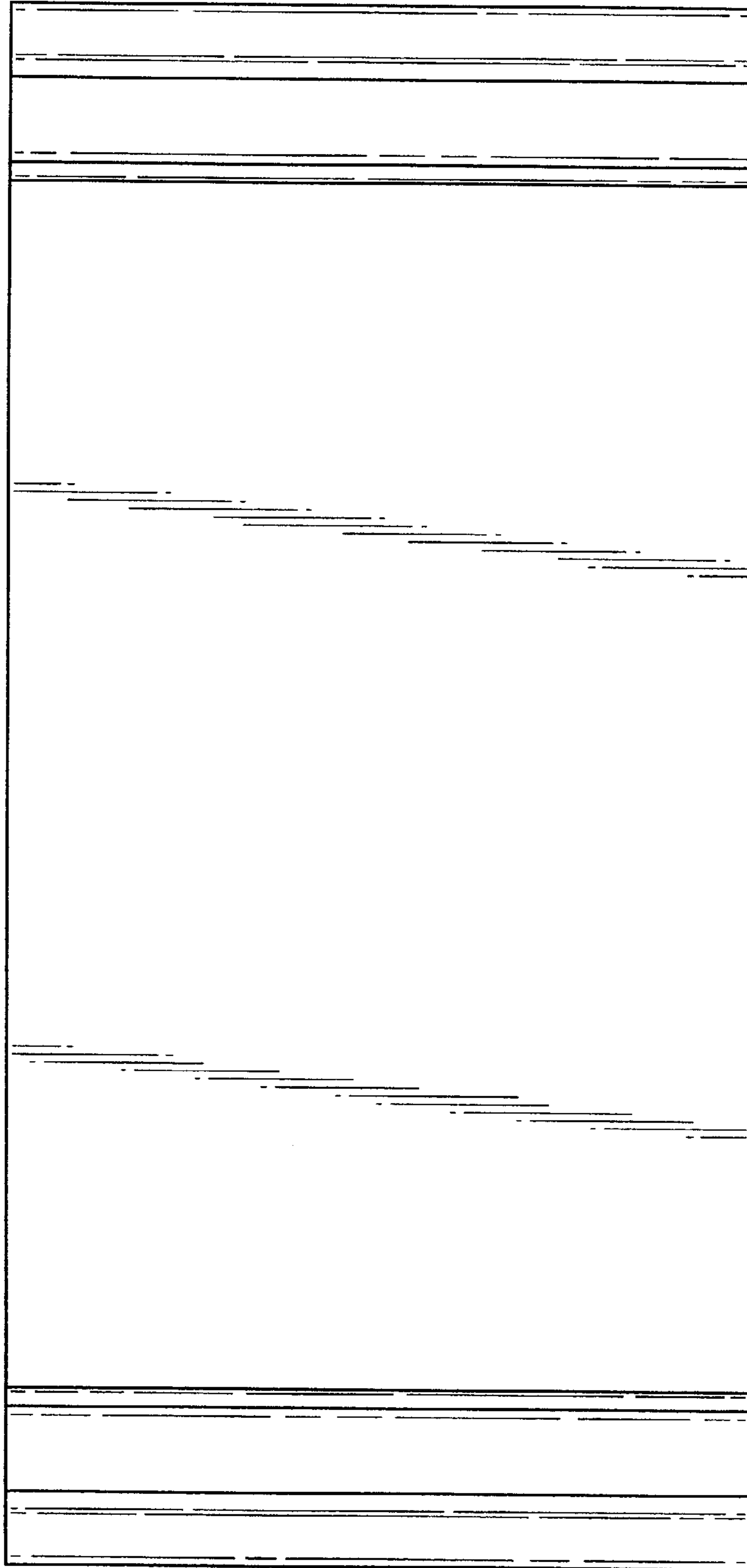


Fig. 5.

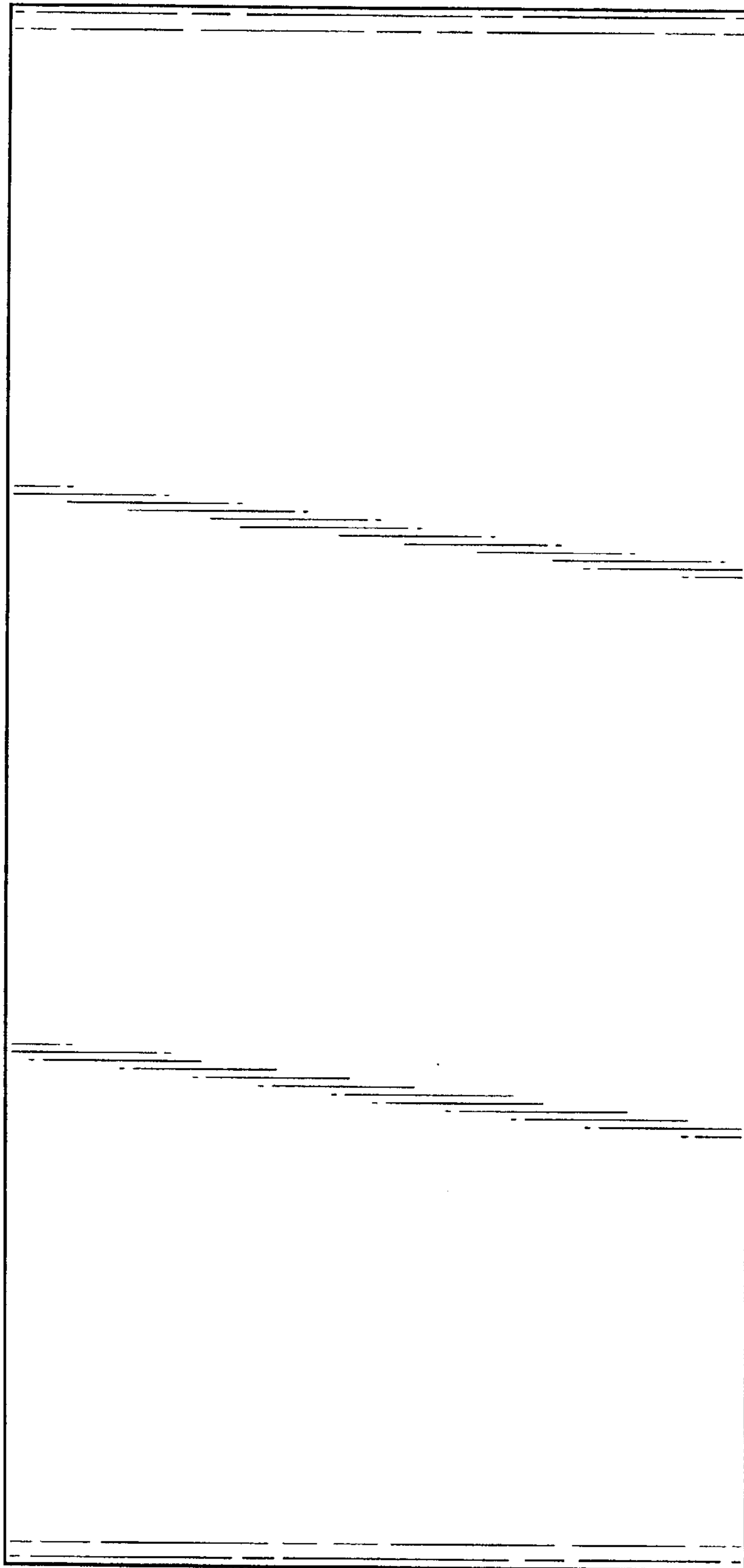


Fig. 6.