

US00D533944S

(12) **United States Design Patent**
Sullivan et al.

(10) **Patent No.:** **US D533,944 S**

(45) **Date of Patent:** **** Dec. 19, 2006**

(54) **SURGICAL SCALPEL**

(76) Inventors: **Stephen J. Sullivan**, 161219 Me 135th St., Redmond, WA (US) 98052; **Myles Kobren**, 400 S. Oyster Bay Rd., Hicksville, NY (US) 11801; **Andrew Menzen**, 6 Tappanwood Dr., Lattingtown, NY (US) 11560

(**) Term: **14 Years**

(21) Appl. No.: **29/211,438**

(22) Filed: **Aug. 17, 2004**

(51) **LOC (8) Cl.** **24-02**

(52) **U.S. Cl.** **D24/147**

(58) **Field of Classification Search** D24/147,
D24/146, 133, 30, 28; D8/98, 99; 30/339;
606/167

See application file for complete search history.

(56) **References Cited**

U.S. PATENT DOCUMENTS

D327,125 S * 6/1992 Iten D24/146

D421,303 S * 2/2000 Cote et al. D24/133
D457,630 S * 5/2002 Lehtonen D24/147
D467,658 S * 12/2002 Goodwin D24/147

* cited by examiner

Primary Examiner—Ian Simmons

Assistant Examiner—Christopher Lee

(74) *Attorney, Agent, or Firm*—Eliot Gerber

(57) **CLAIM**

The ornamental design for a surgical scalpel, as shown and described.

DESCRIPTION

FIG. 1 is a perspective view of a surgical scalpel showing our new design;

FIG. 2 is a right side view thereof;

FIG. 3 is a left side view thereof;

FIG. 4 is a top plan view thereof;

FIG. 5 is a bottom plan view thereof;

FIG. 6 is a front view thereof; and,

FIG. 7 is a rear view.

1 Claim, 4 Drawing Sheets

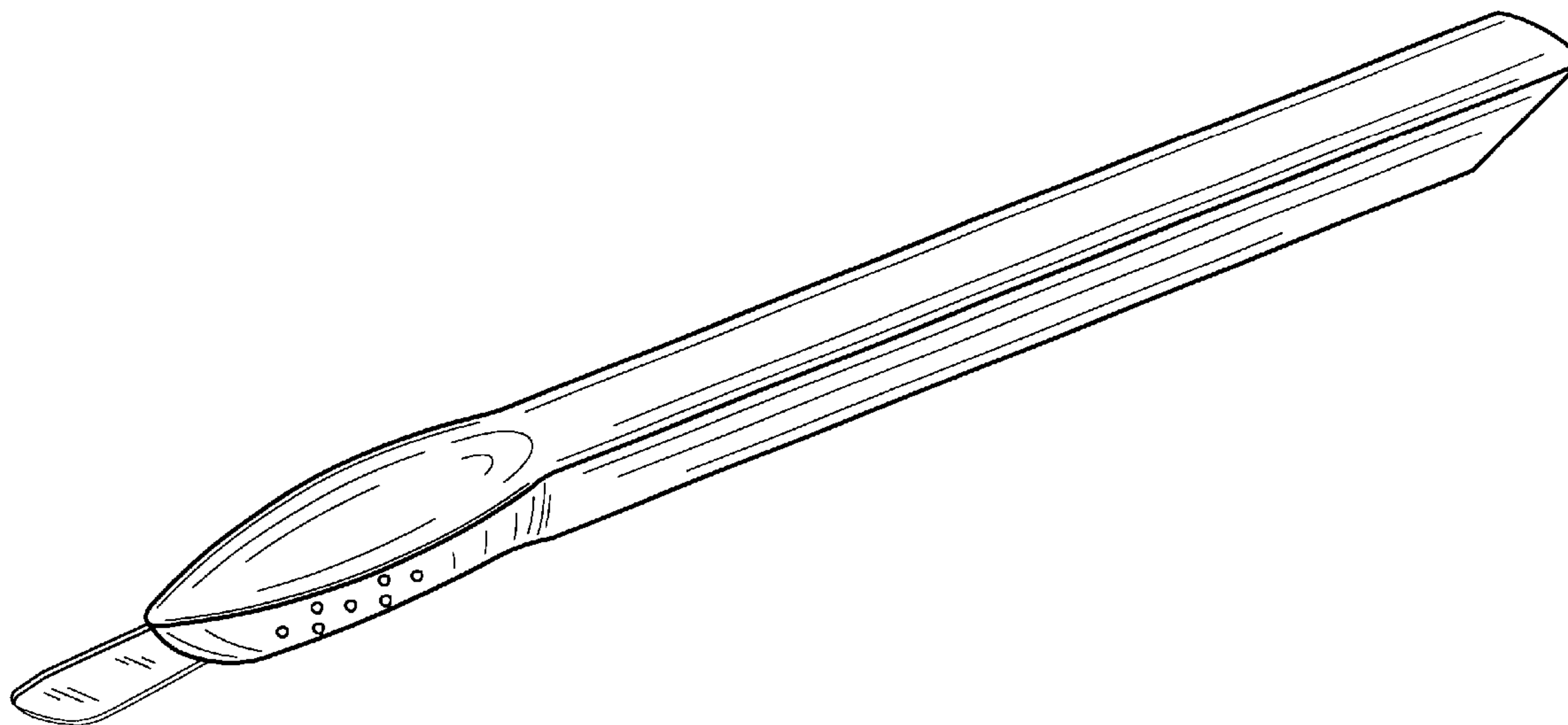


FIG. 1

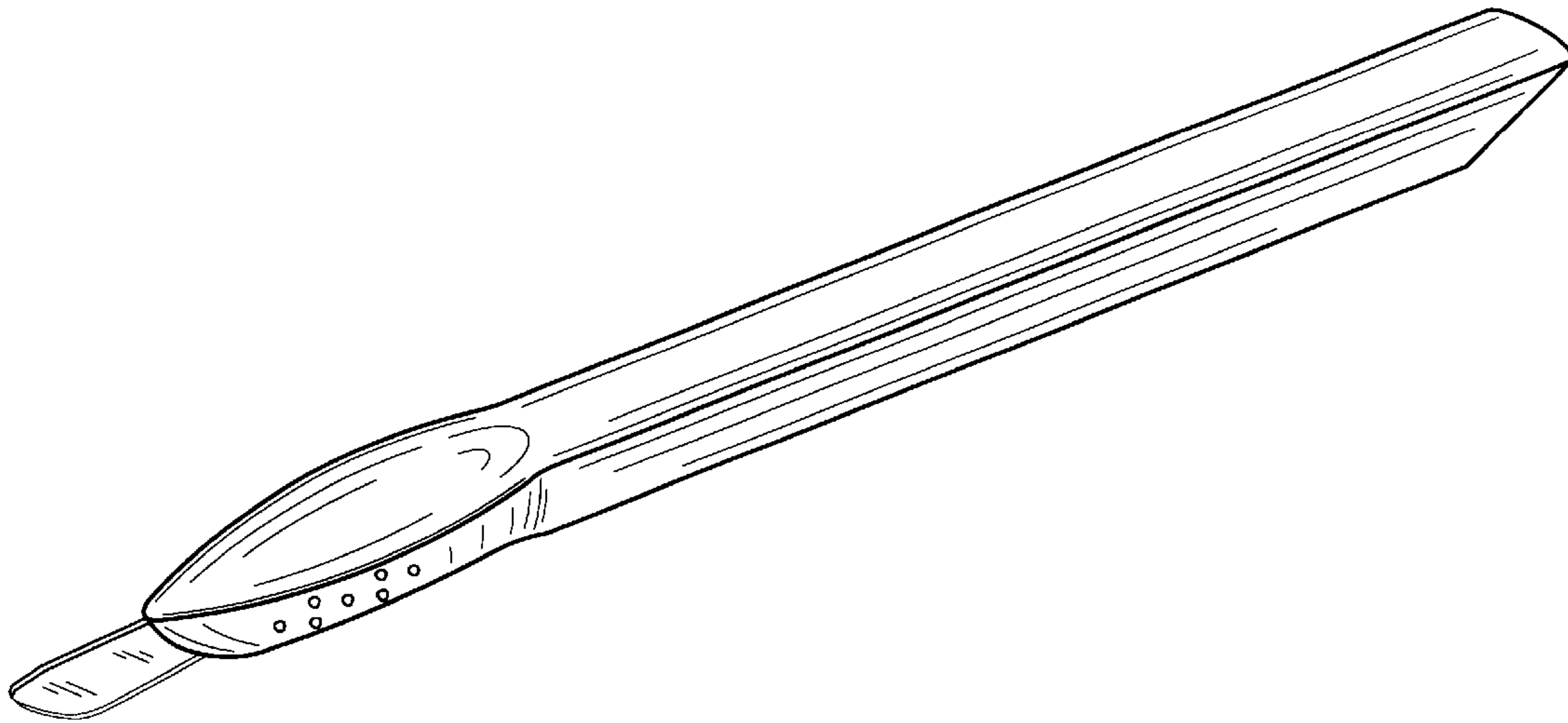


FIG. 2

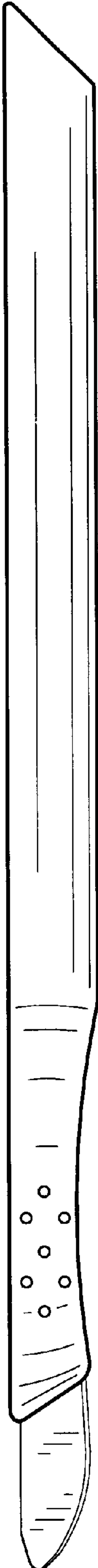


FIG. 3



FIG. 4

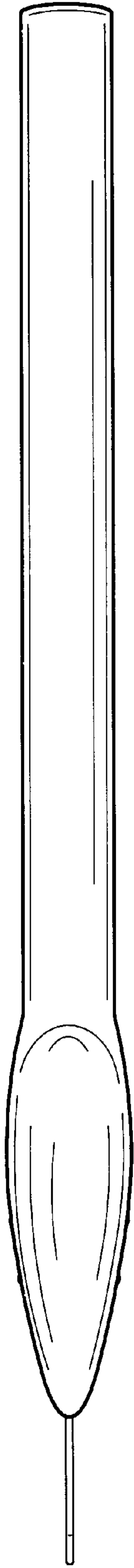


FIG. 5

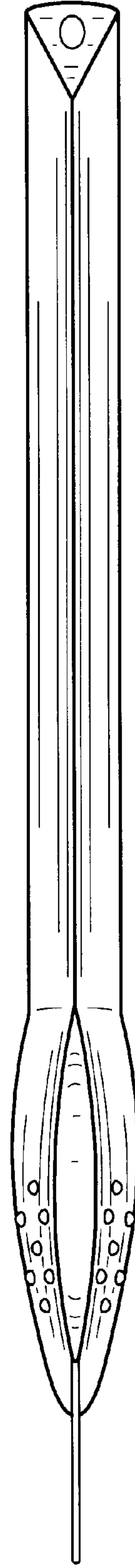


FIG. 6

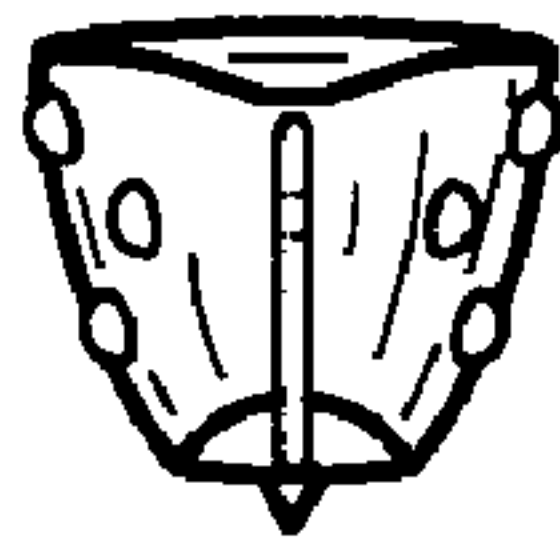


FIG. 7

