



US00D533943S

(12) **United States Design Patent**  
**Chen**

(10) **Patent No.:** **US D533,943 S**

(45) **Date of Patent:** **\*\* Dec. 19, 2006**

(54) **PORTABLE SKIN CARE IMPLEMENT**

FOREIGN PATENT DOCUMENTS

(75) Inventor: **Sung-Tsei Chen**, City of Industry, CA (US)

WO DM/063496 \* 6/2002

\* cited by examiner

(73) Assignee: **Markwins International Corporation**, City of Industry, CA (US)

*Primary Examiner*—Jeffrey Asch

*Assistant Examiner*—Bridget L. Eland

(\*\*) Term: **14 Years**

(74) *Attorney, Agent, or Firm*—Danton K. Mak; Sheldon Mak Rose & Anderson PC

(21) Appl. No.: **29/204,241**

(57) **CLAIM**

(22) Filed: **Apr. 26, 2004**

The ornamental design for the portable skin care implement, as shown and described.

(51) **LOC (8) Cl.** ..... **28-03**

**DESCRIPTION**

(52) **U.S. Cl.** ..... **D24/146; D24/214**

FIG. 1 is a perspective view of the portable skin care implement of the subject invention;

FIG. 2 is a top view of the portable skin care implement of FIG. 1;

(58) **Field of Classification Search** ..... D24/146, D24/147, 148, 133; D4/137; 606/9, 131, 606/132; D28/56–59, 206  
See application file for complete search history.

FIG. 3 is a right side view of the portable skin care implement of FIG. 1;

FIG. 4 is a bottom view of the portable skin care implement of FIG. 1;

(56) **References Cited**

U.S. PATENT DOCUMENTS

D269,377 S \* 6/1983 Mackay et al. .... D24/214  
D286,924 S \* 11/1986 Muller ..... D28/13  
6,312,397 B1 \* 11/2001 Gebhard ..... 601/15  
6,790,205 B1 \* 9/2004 Yamazaki et al. .... 606/9  
D500,168 S \* 12/2004 Ho ..... D28/44  
D500,854 S \* 1/2005 Eichel ..... D24/146

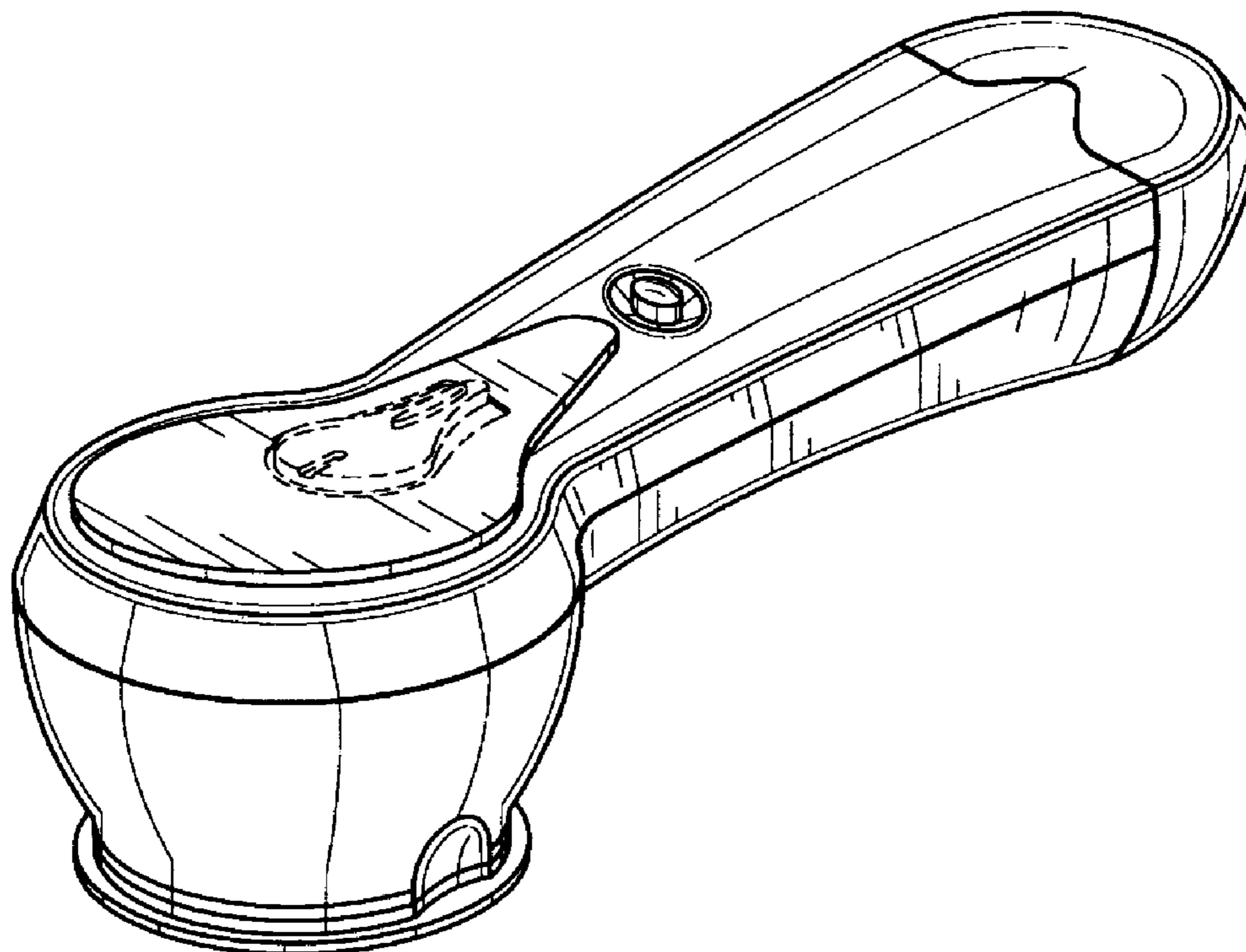
FIG. 5 is a left side view of the portable skin care implement of FIG. 1;

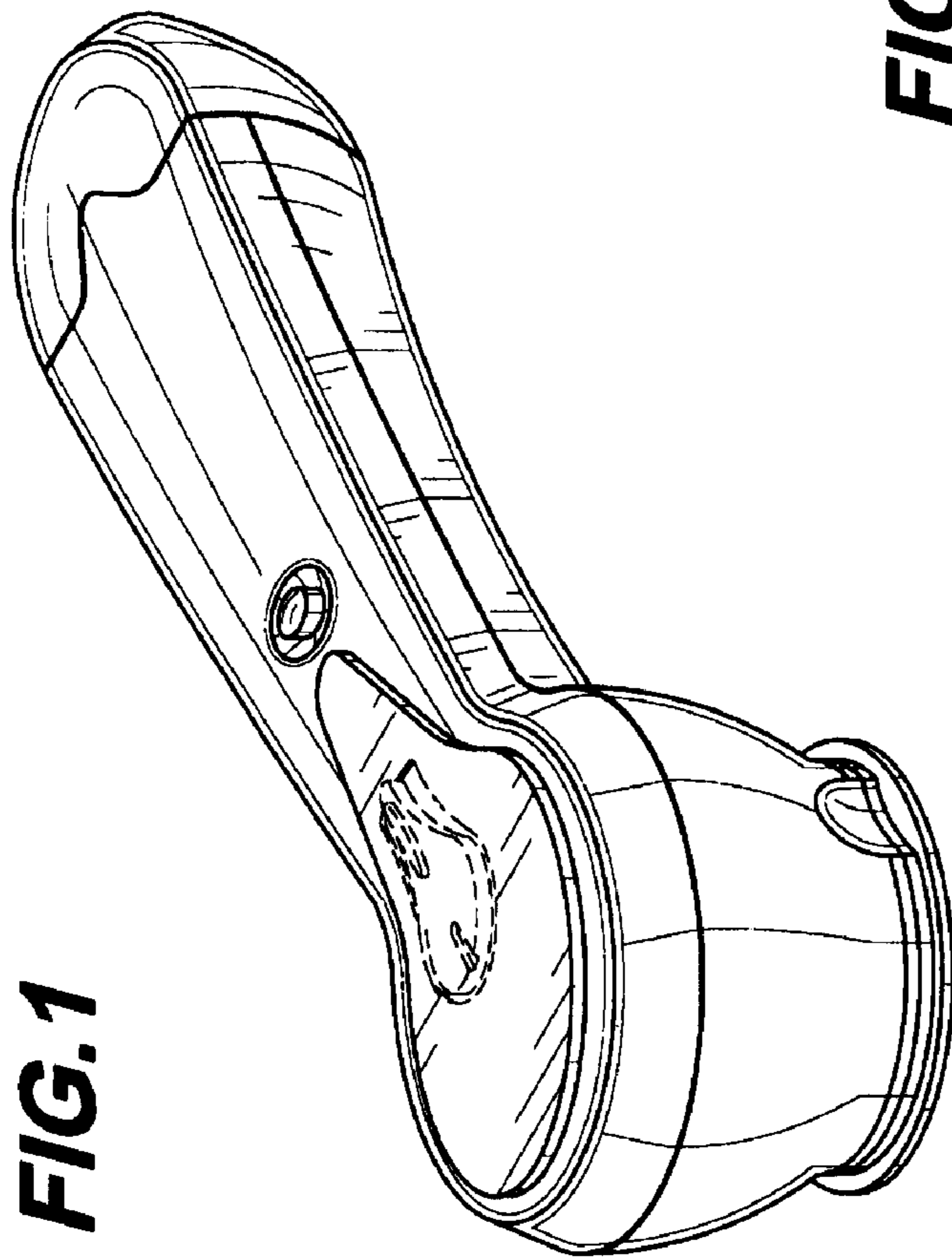
FIG. 6 is a front end view of the portable skin care implement of FIG. 1; and,

FIG. 7 is a rear end view of the portable skin care implement of FIG. 1.

Details shown in broken lines are for illustrative purposes only, and form no part of the claimed design.

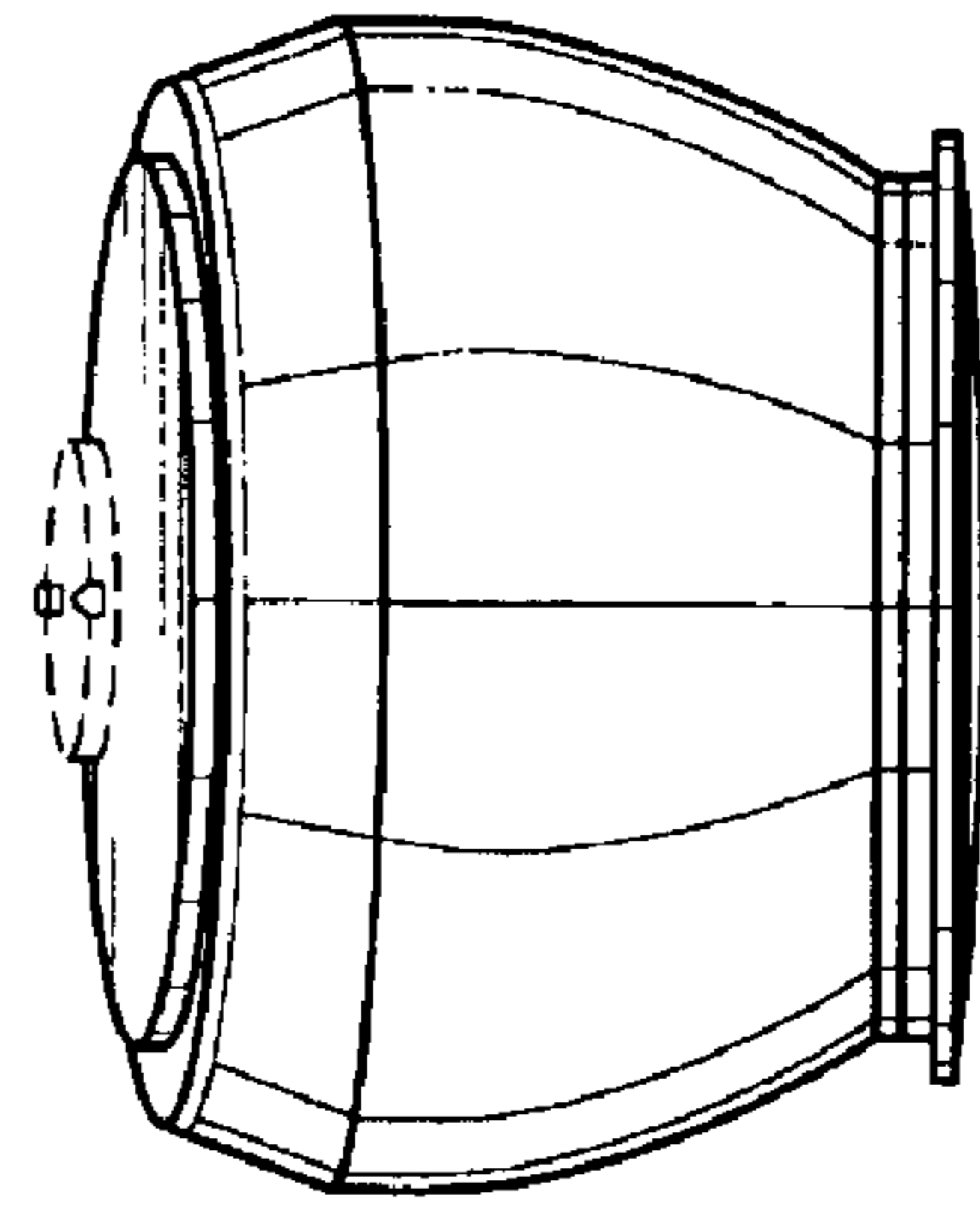
**1 Claim, 2 Drawing Sheets**



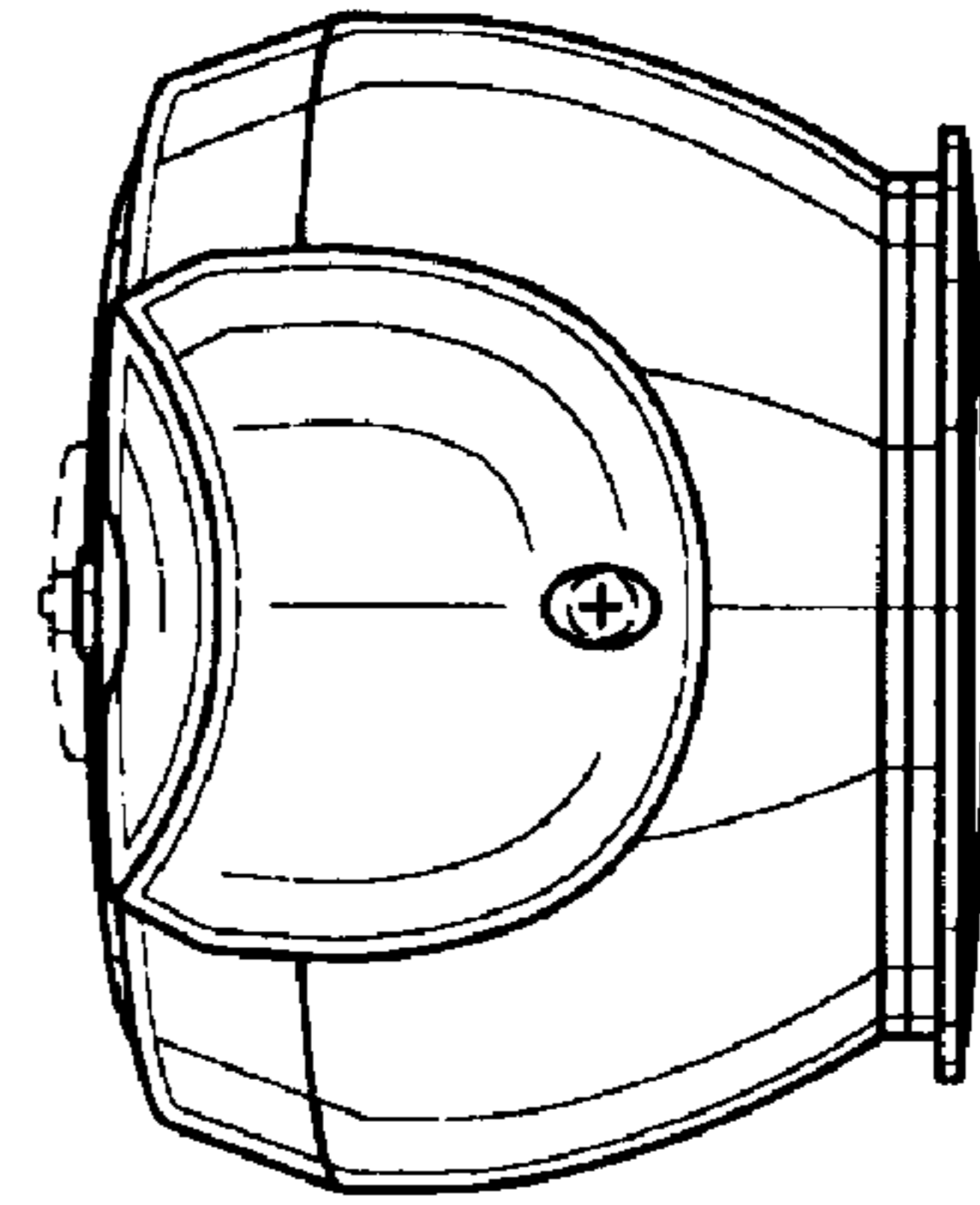


**FIG. 1**

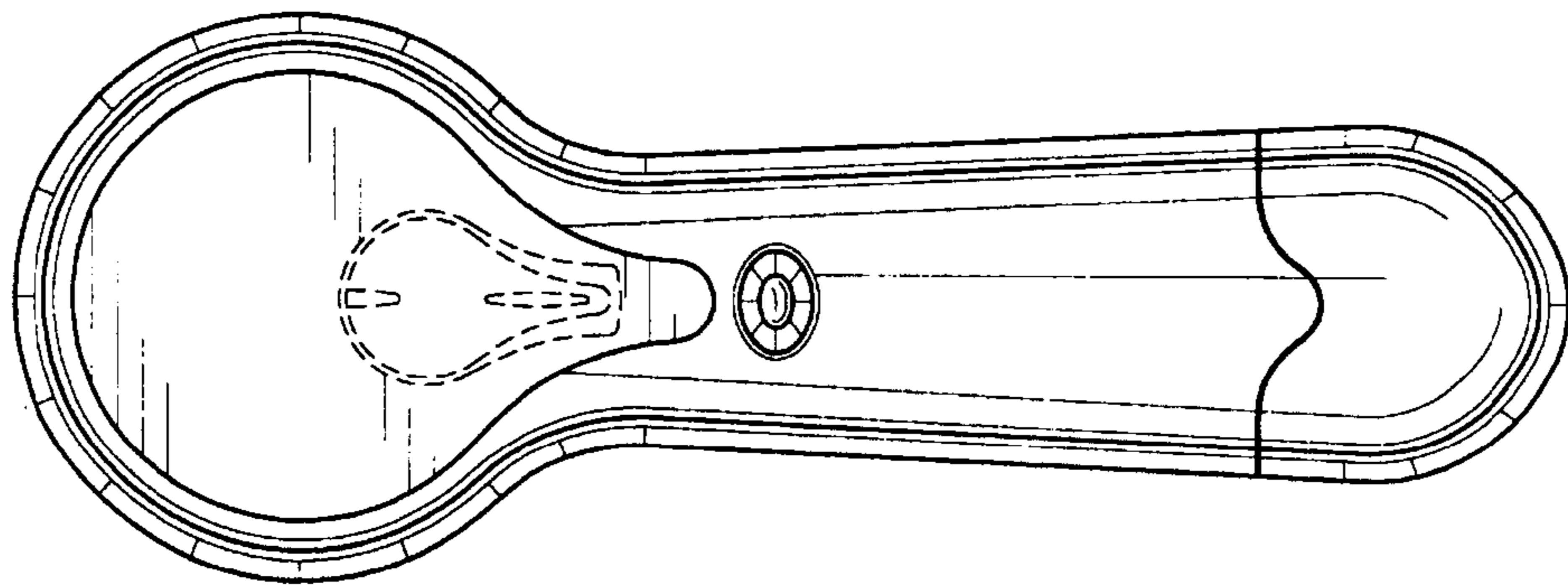
**FIG. 6**



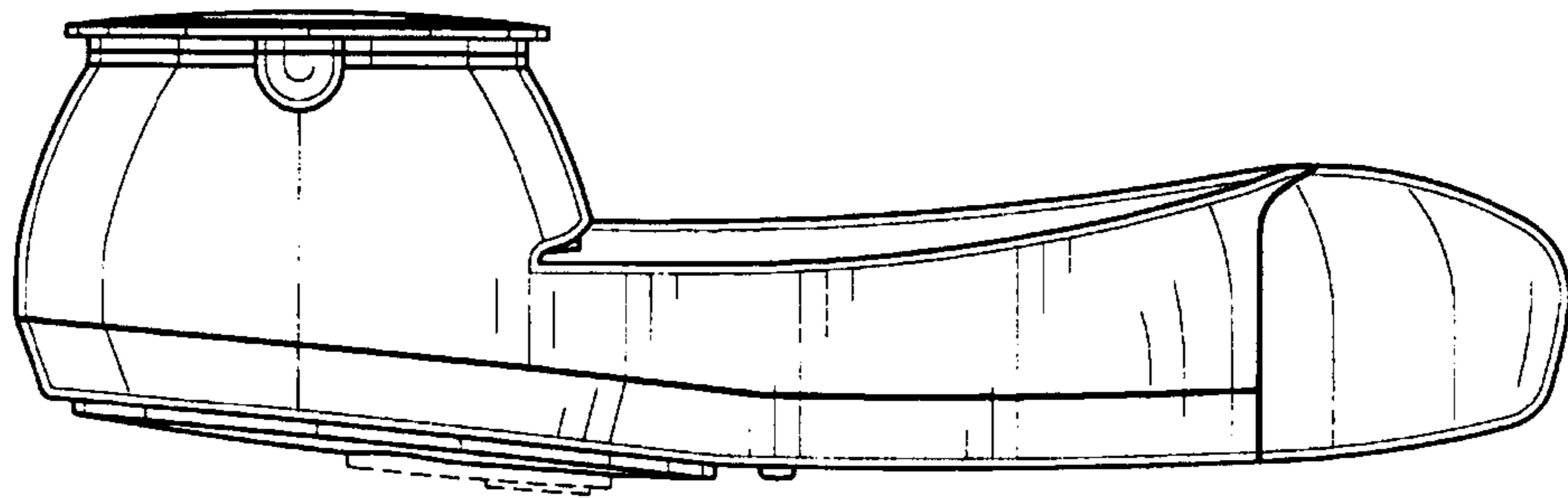
**FIG. 7**



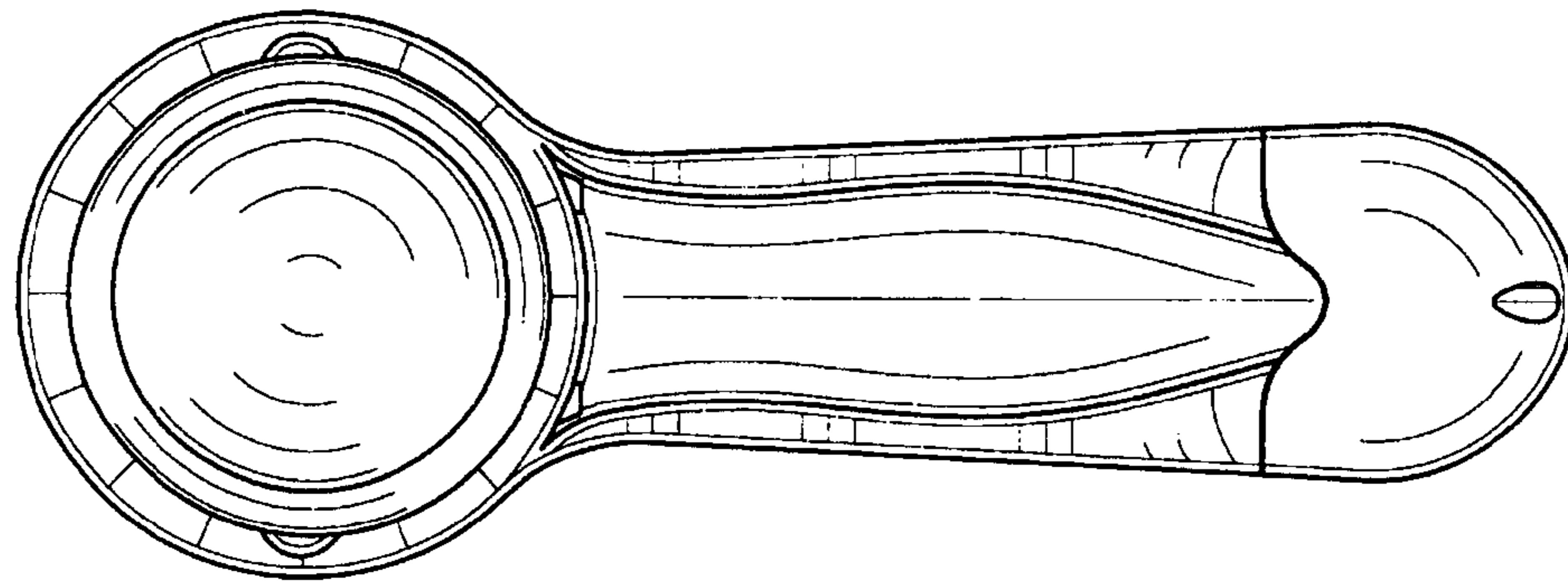
**FIG.2**



**FIG.3**



**FIG.4**



**FIG.5**

