



US00D533941S

(12) **United States Design Patent**
Fürst et al.

(10) **Patent No.:** **US D533,941 S**

(45) **Date of Patent:** **** Dec. 19, 2006**

(54) **ENDOSCOPIC MEDICAL INSTRUMENT**

(75) Inventors: **Frank Fürst**, Tuttlingen (DE); **Jan Dahmen**, Seitlgen-Oberflacht (DE)

(73) Assignee: **Karl Storz GmbH & Co. KG** (DE)

(**) Term: **14 Years**

(21) Appl. No.: **29/228,275**

(22) Filed: **Apr. 21, 2005**

(30) **Foreign Application Priority Data**

Oct. 22, 2004 (EM) 000246434

(51) **LOC (8) Cl.** **24-02**

(52) **U.S. Cl.** **D24/138**; D24/137

(58) **Field of Classification Search** D24/138,
D24/137, 133; 600/122, 101, 162-165, 172,
600/175, 109, 157, 129, 183; 359/808
See application file for complete search history.

(56) **References Cited**

U.S. PATENT DOCUMENTS

5,167,220 A * 12/1992 Brown 600/157
D358,886 S * 5/1995 Balazs D24/138

6,201,649 B1 * 3/2001 Rudischhauser et al. 359/808
D459,475 S * 6/2002 Topala D24/138
2002/0156348 A1 * 10/2002 Schoellhorn et al. 600/164

* cited by examiner

Primary Examiner—Antoine D. Davis

Assistant Examiner—Christopher Lee

(74) *Attorney, Agent, or Firm*—St. Onge Steward Johnston & Reens LLC

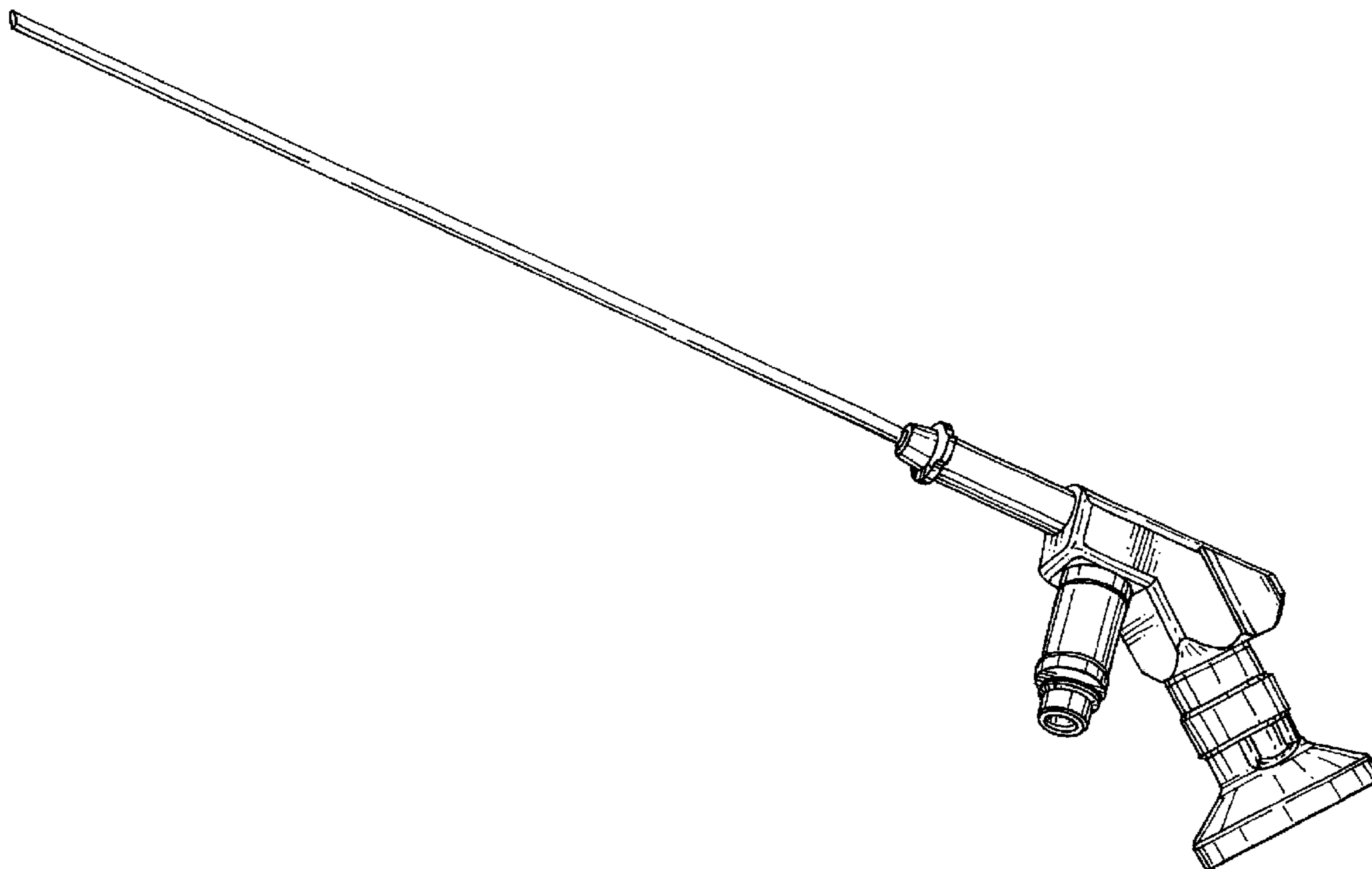
(57) **CLAIM**

The ornamental design for an endoscopic medical instrument, as shown and described.

DESCRIPTION

FIG. 1 is a first side perspective view of an endoscopic medical instrument in accordance with the new design; FIG. 2 is a second side perspective view thereof; FIG. 3 is a first side view thereof; FIG. 4 is a second side view thereof; FIG. 5 is a bottom view thereof; FIG. 6 is a top view thereof; and, FIG. 7 is a bottom perspective view thereof. The rod member being eliminated for ease of illustration.

1 Claim, 7 Drawing Sheets



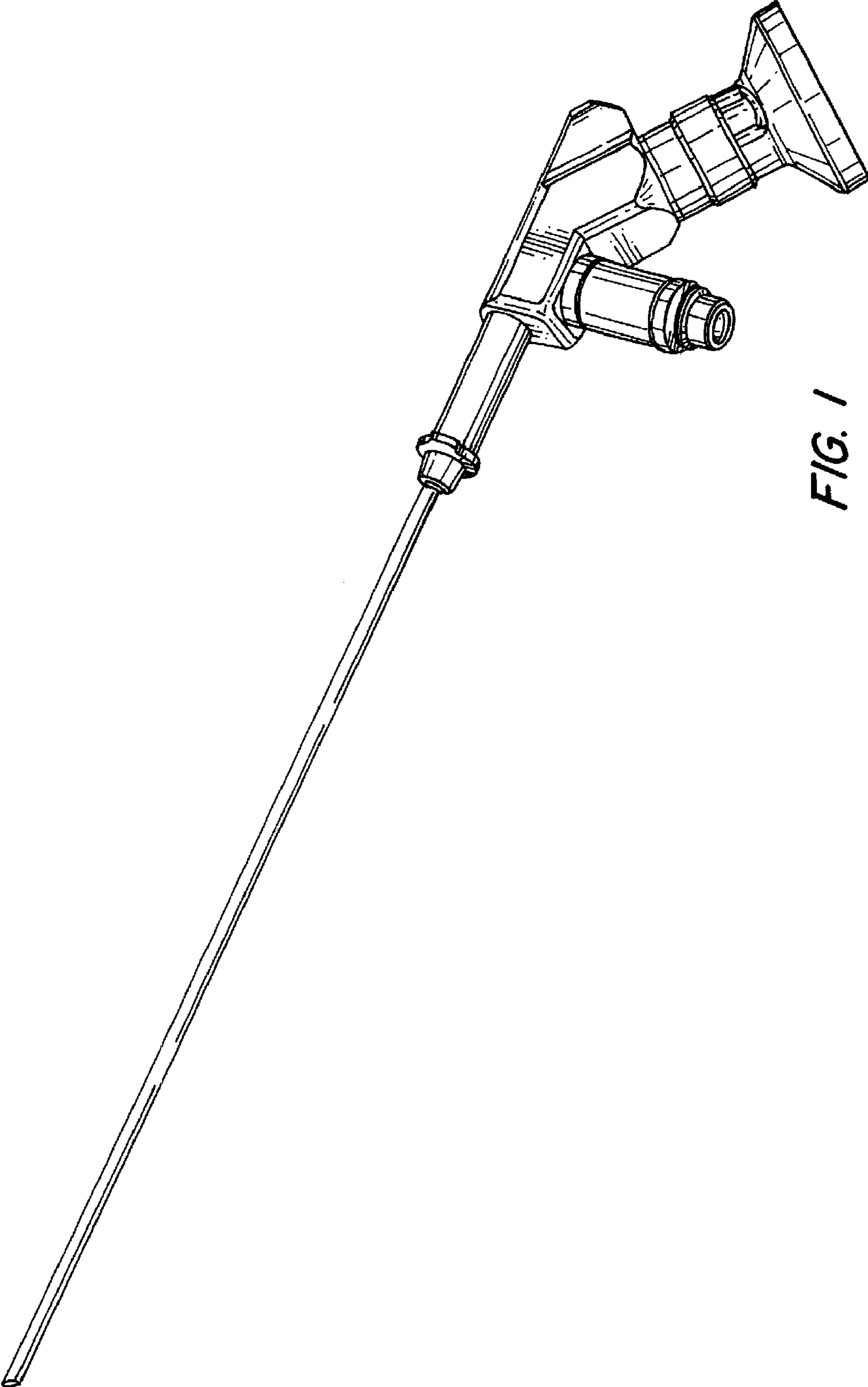


FIG. 1

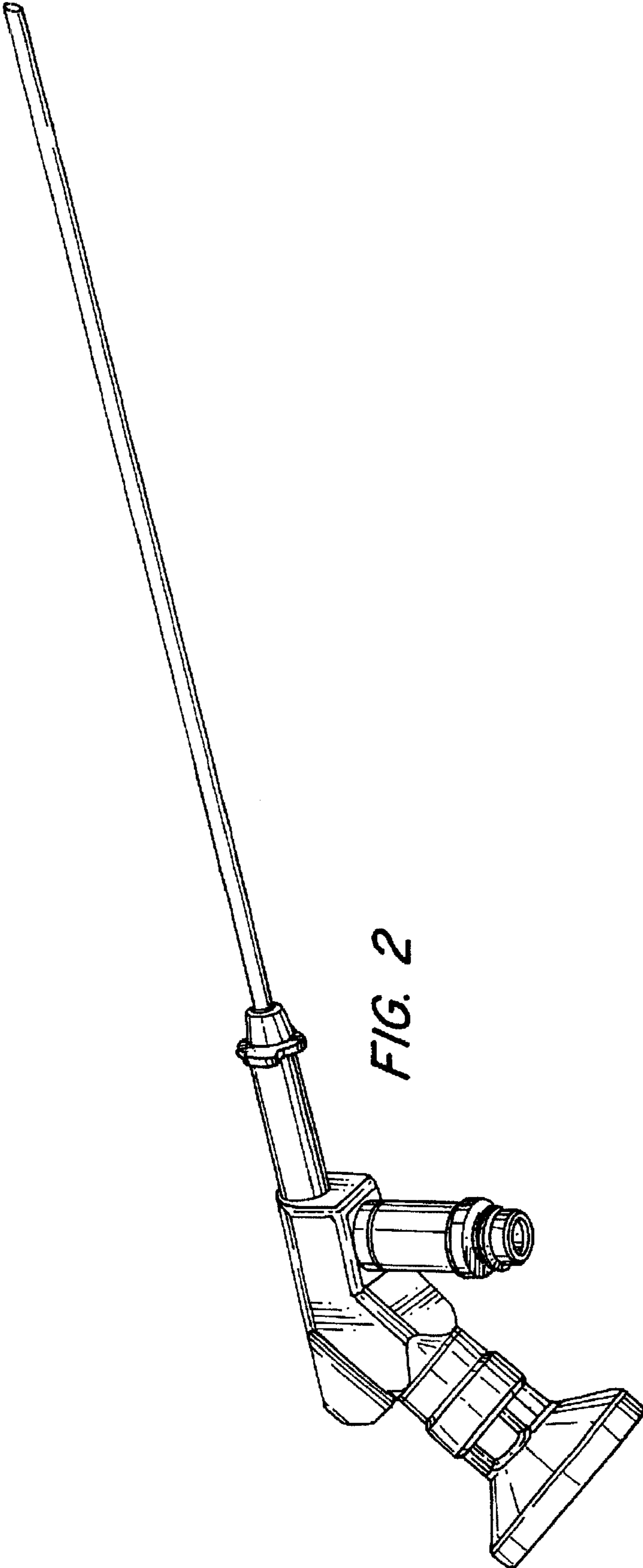


FIG. 2

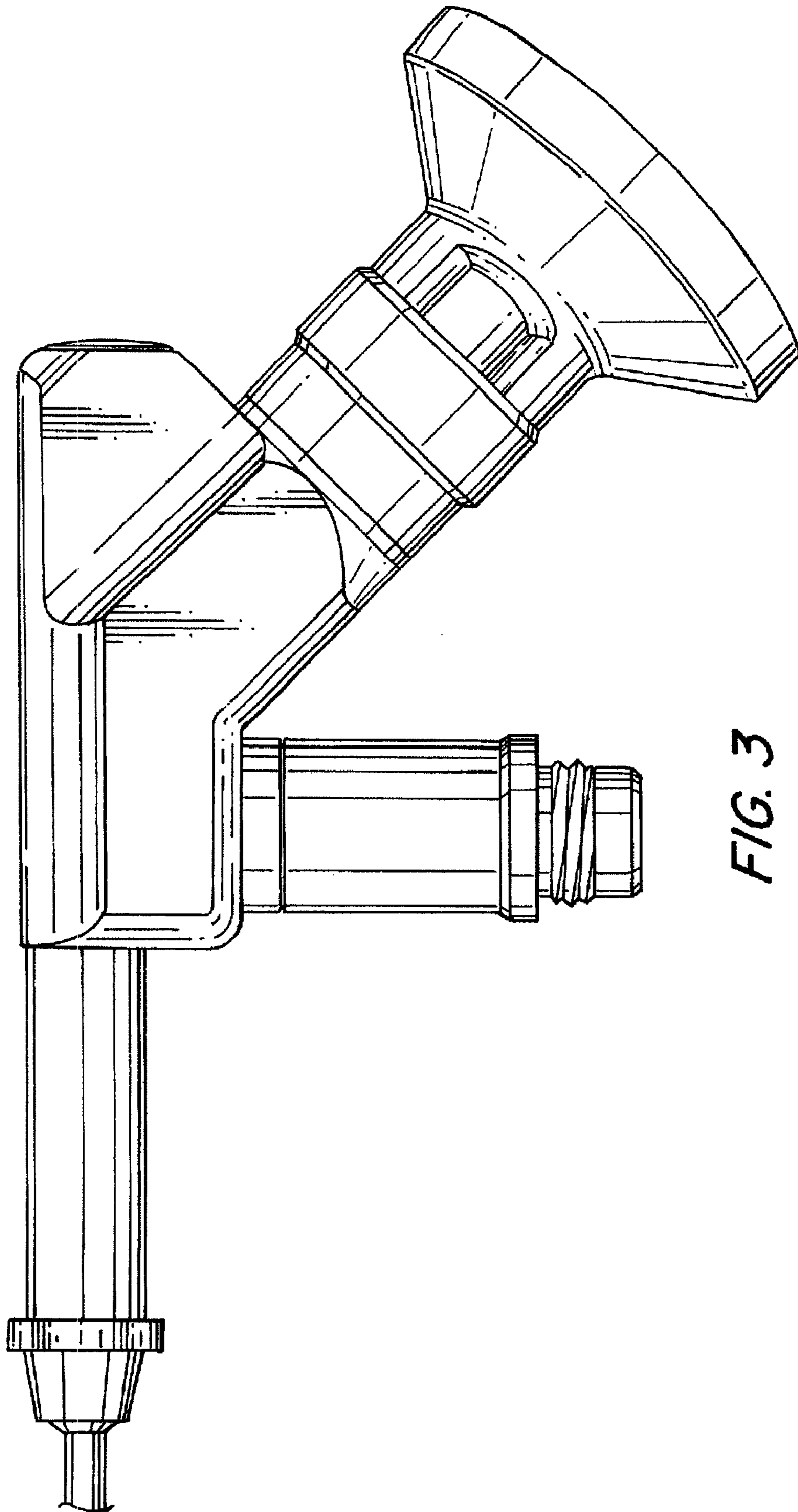


FIG. 3

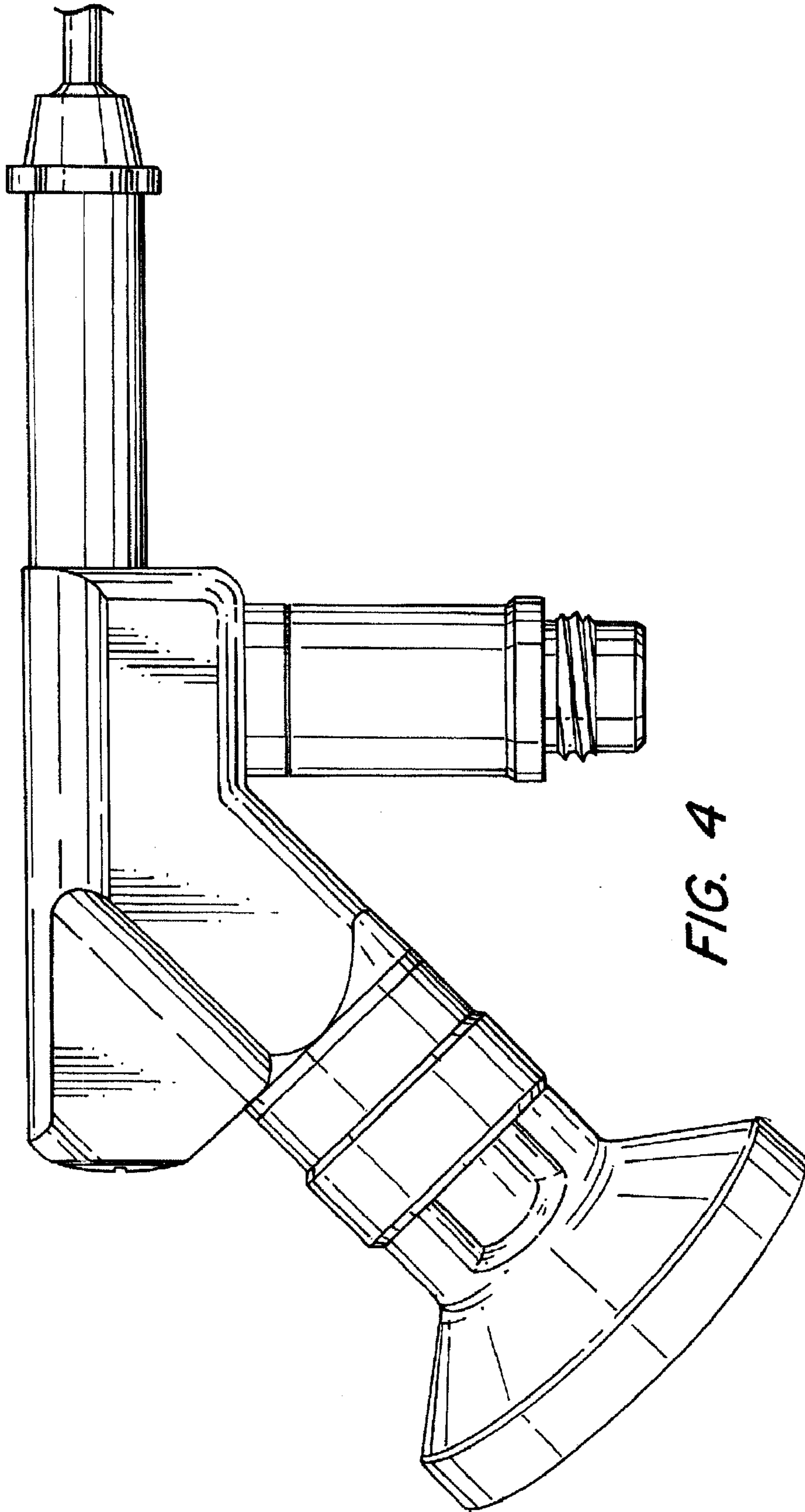


FIG. 4

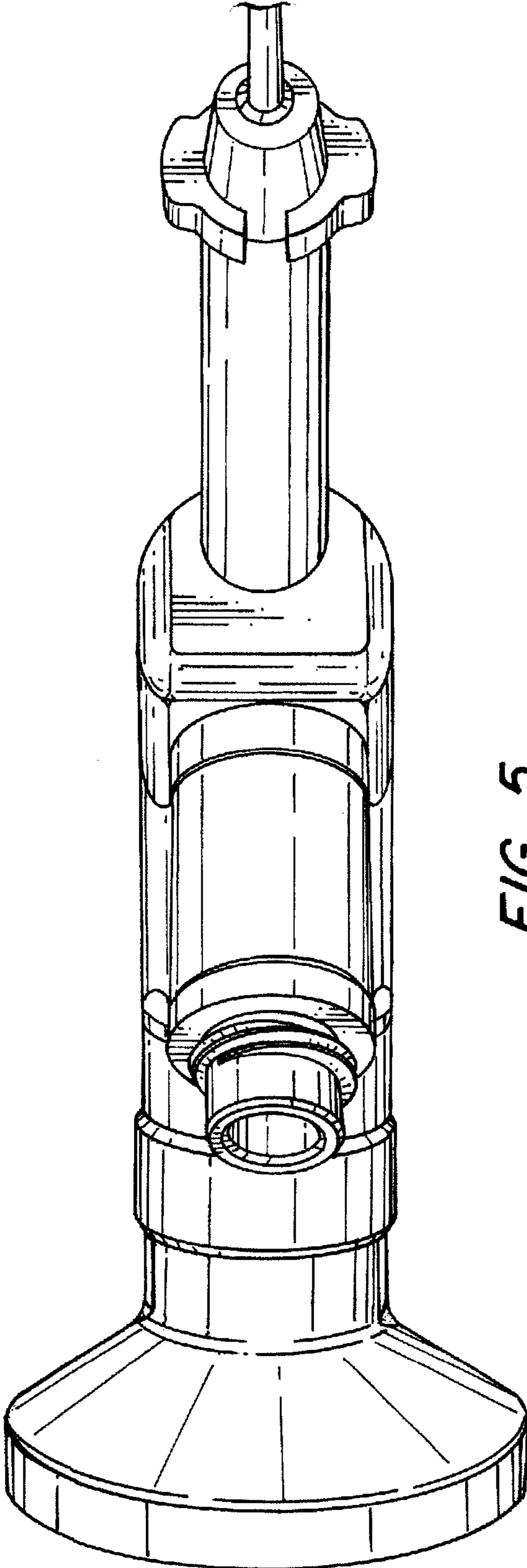


FIG. 5

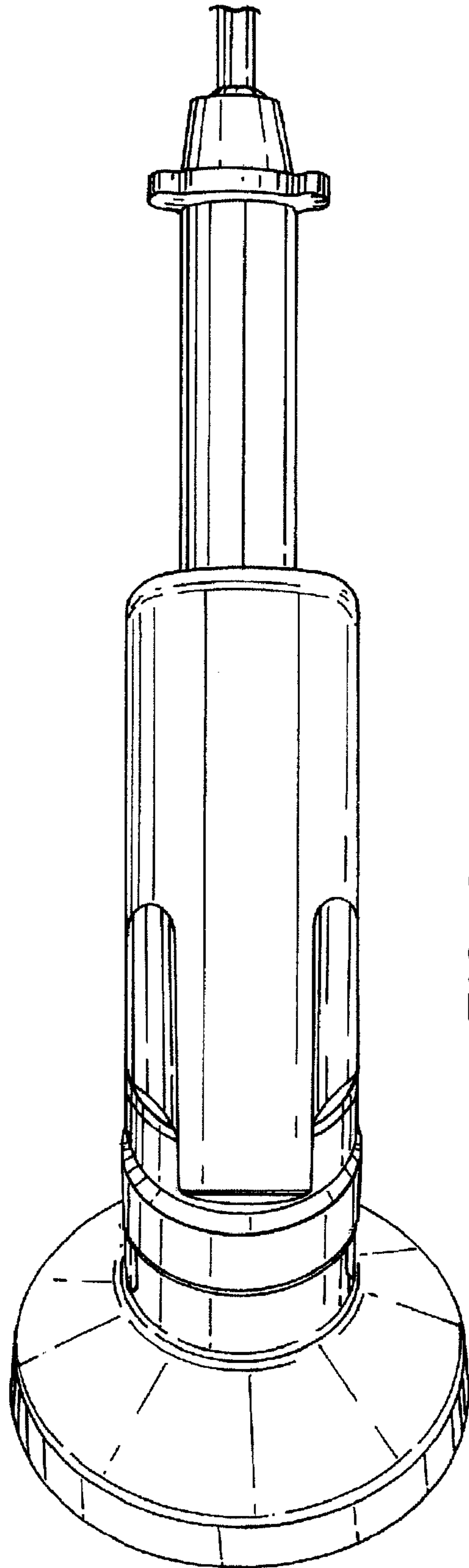


FIG. 6

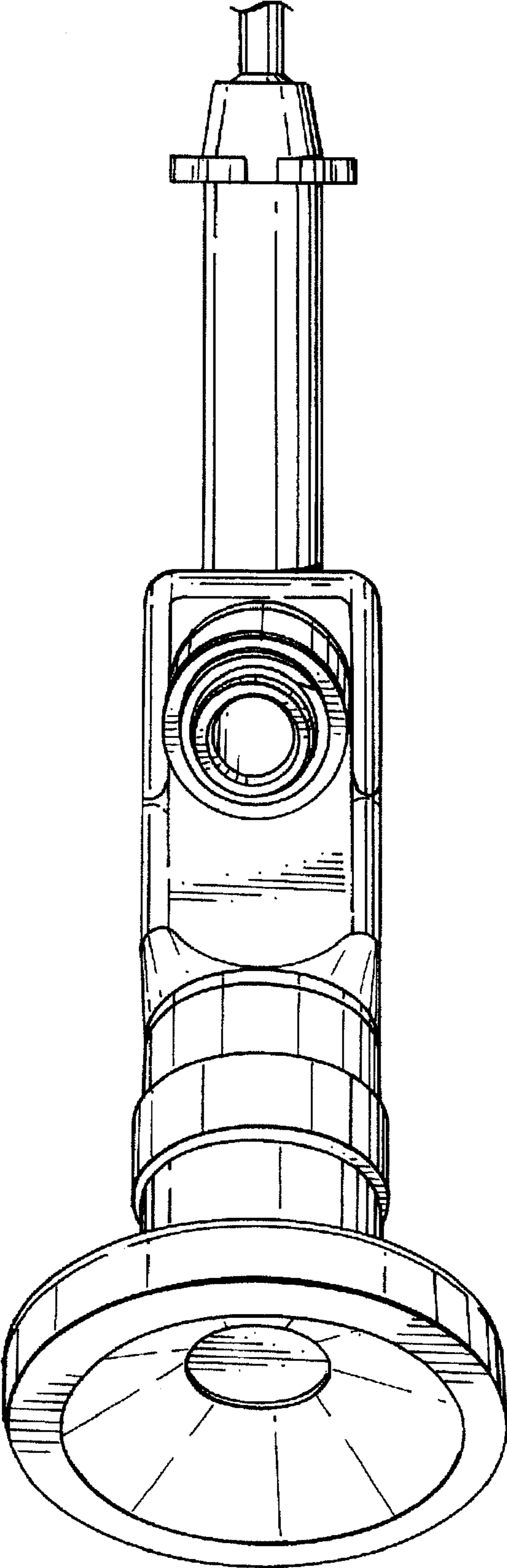


FIG. 7

UNITED STATES PATENT AND TRADEMARK OFFICE
CERTIFICATE OF CORRECTION

PATENT NO. : Des. 533,941 S
APPLICATION NO. : 29/228275
DATED : December 19, 2006
INVENTOR(S) : Frank Fürst et al.

Page 1 of 1

It is certified that error appears in the above-identified patent and that said Letters Patent is hereby corrected as shown below:

Title page, item (75) Inventors: should read as follow: Frank Fürst, Tuttlingen (DE); Jan Dahmen, Seitingen-Oberflacht (DE)

Signed and Sealed this

Thirteenth Day of March, 2007

A handwritten signature in black ink on a light gray dotted background. The signature reads "Jon W. Dudas" in a cursive style.

JON W. DUDAS

Director of the United States Patent and Trademark Office