



US00D533940S

(12) **United States Design Patent**  
**Hayamizu**

(10) **Patent No.:** **US D533,940 S**

(45) **Date of Patent:** **\*\* Dec. 19, 2006**

(54) **CONTROL SWITCH OF A PROCESSOR FOR ENDOSCOPE**

D481,123 S \* 10/2003 Hayamizu ..... D24/138  
D508,196 S \* 8/2005 Pieters ..... D8/308  
D519,020 S \* 4/2006 Gorkovenko ..... D8/307

(75) Inventor: **Eiji Hayamizu**, Tokyo (JP)

\* cited by examiner

(73) Assignee: **PENTAX Corporation**, Tokyo (JP)

*Primary Examiner*—Antoine D. Davis

(\*\*) Term: **14 Years**

*Assistant Examiner*—Christopher Lee

(74) *Attorney, Agent, or Firm*—Sughrue Mion, PLLC

(21) Appl. No.: **29/228,048**

(57) **CLAIM**

(22) Filed: **Apr. 20, 2005**

The ornamental design for a control switch of a processor for endoscope, as shown and described.

(30) **Foreign Application Priority Data**

**DESCRIPTION**

Nov. 1, 2004 (JP) ..... 2004-033266

(51) **LOC (8) Cl.** ..... **24-02**

FIG. 1 is a perspective view of the top, front and left side of a control switch of a processor for endoscope showing my new design;

(52) **U.S. Cl.** ..... **D24/138; D24/107; D24/144; D24/186**

FIG. 2 is a front elevational view thereof;

(58) **Field of Classification Search** ..... D24/107, D24/138, 144, 180, 186; 348/71, 72, 75; 600/109, 158, 160, 178; D8/307-310; D13/173-177; D23/238-243, 250-252; 4/675-678; 16/18, 16/121, 125

FIG. 3 is a rear elevational view thereof;

FIG. 4 is a right side elevational view thereof;

See application file for complete search history.

FIG. 5 is a left side elevational view thereof;

FIG. 6 is a top plan view thereof; and,

FIG. 7 is a bottom plan view thereof.

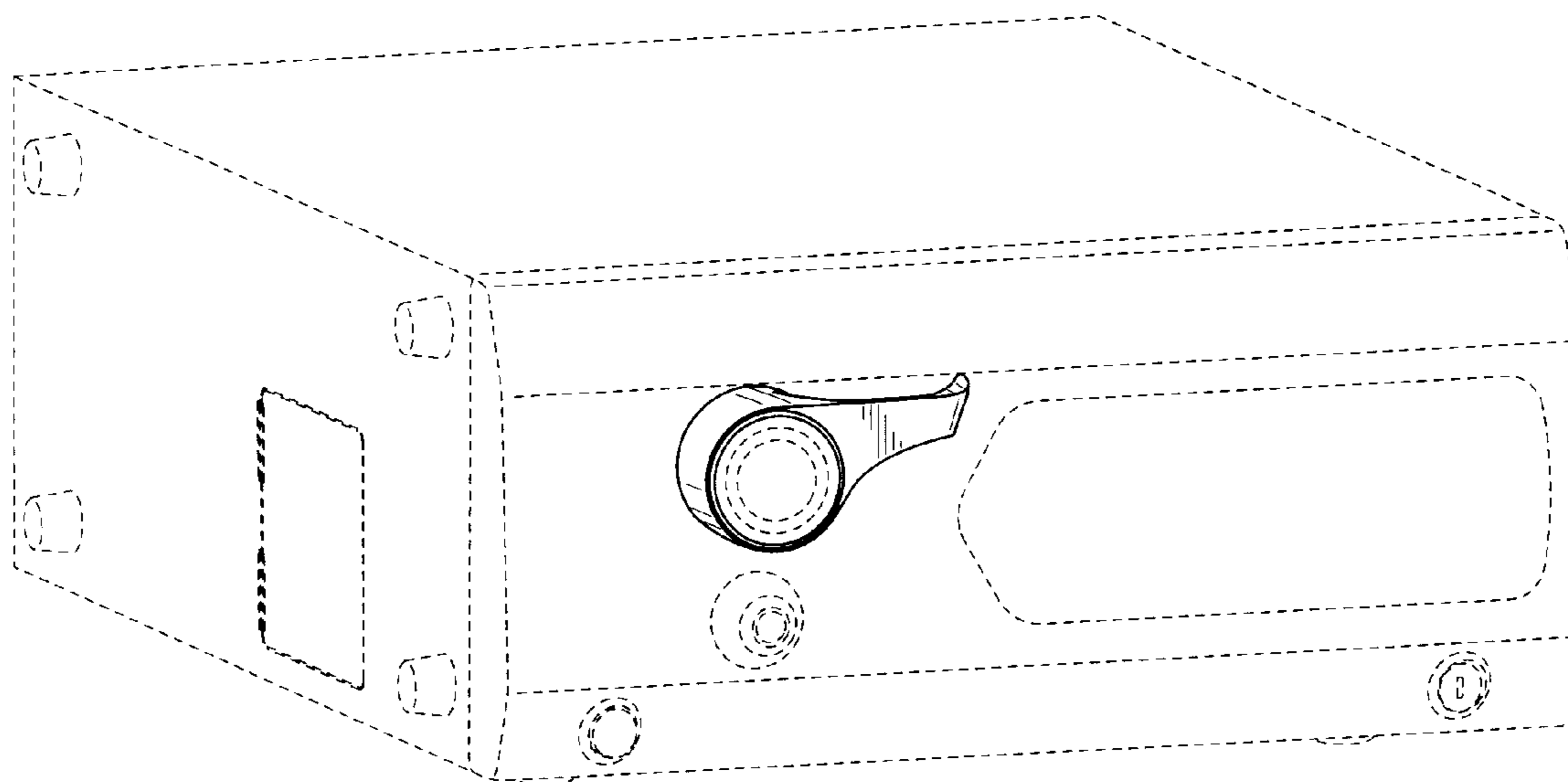
The portions shown in broken lines are for illustrative purposes only and form no part of the claimed design.

(56) **References Cited**

**U.S. PATENT DOCUMENTS**

**1 Claim, 6 Drawing Sheets**

D412,977 S \* 8/1999 Hayamizu ..... D24/107



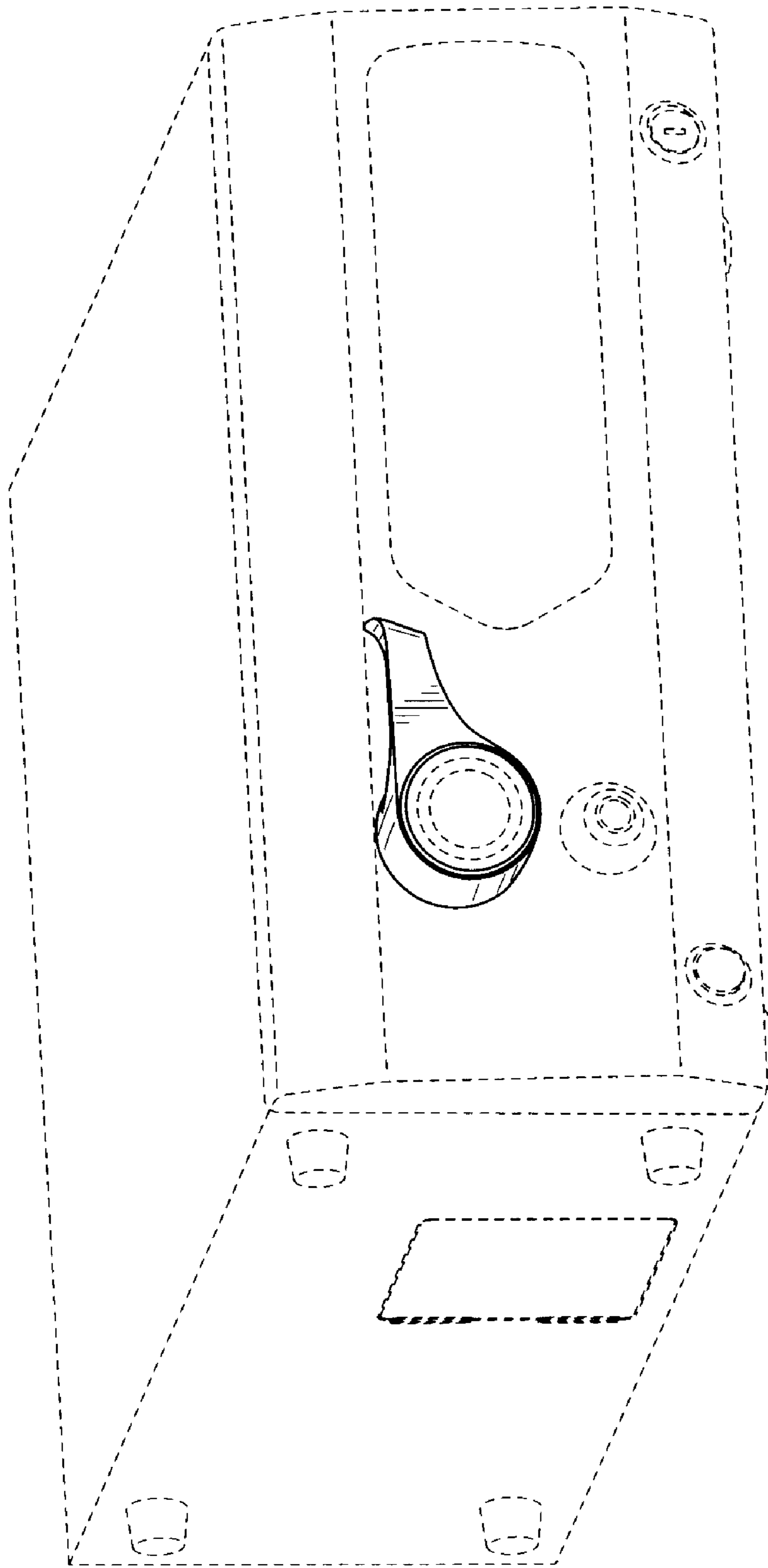
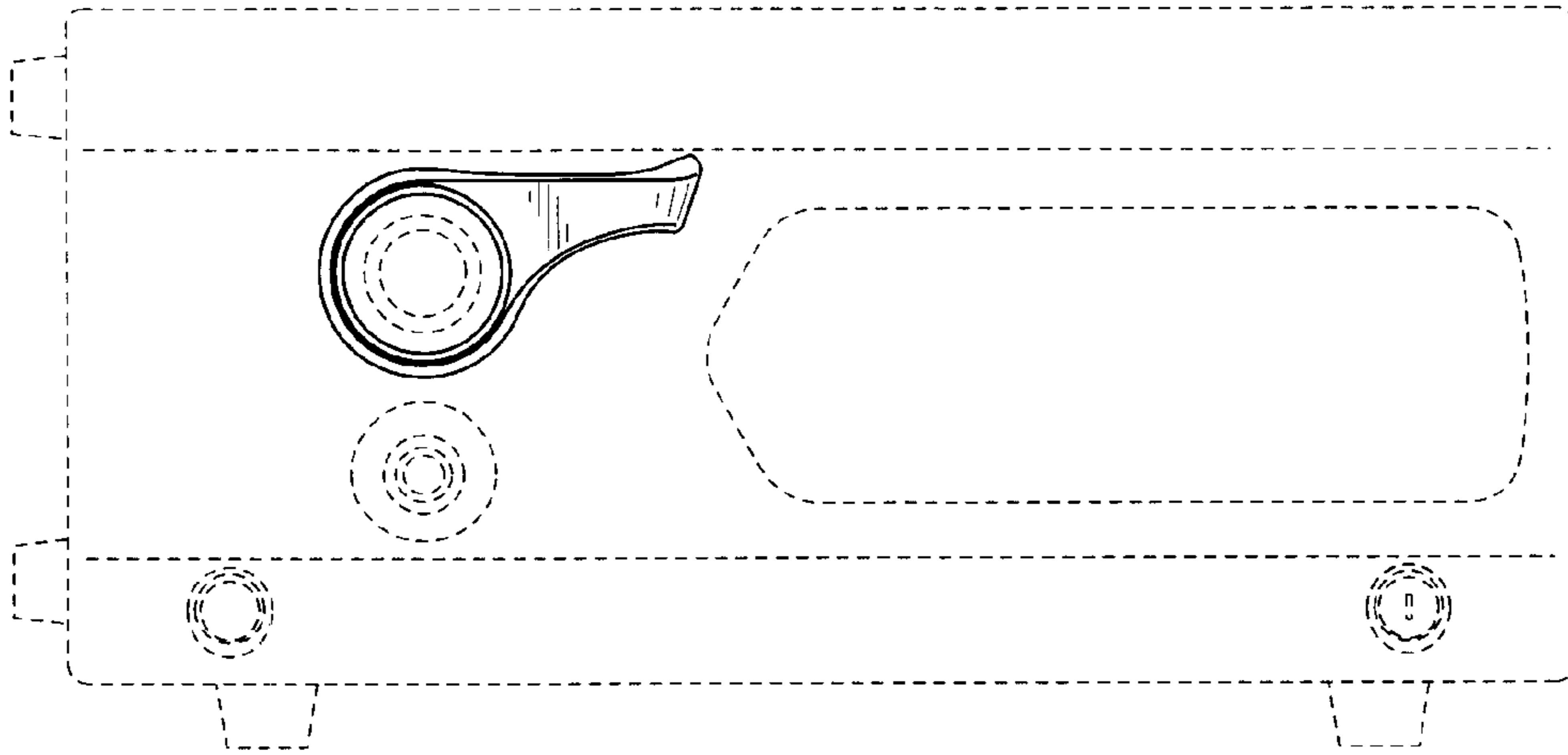
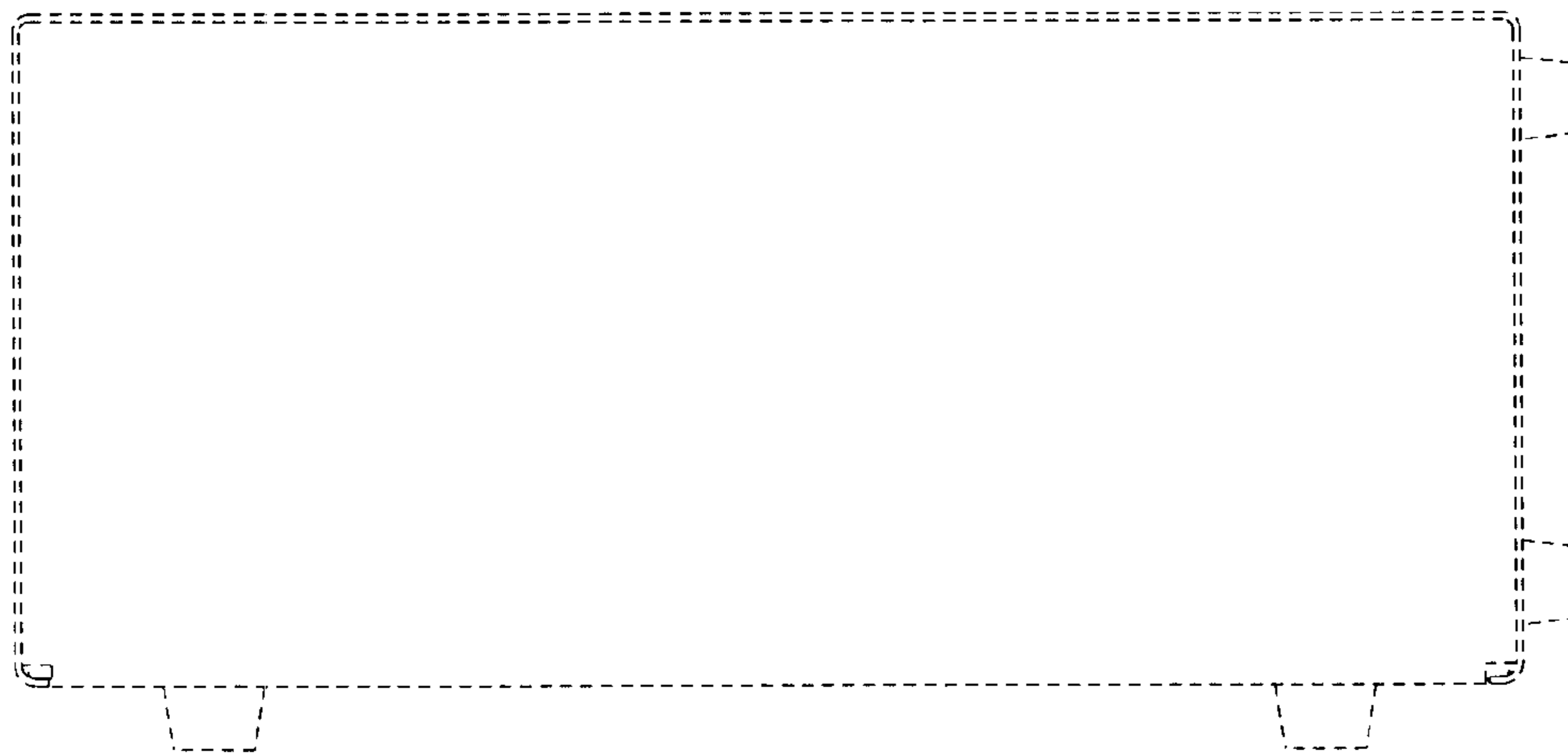


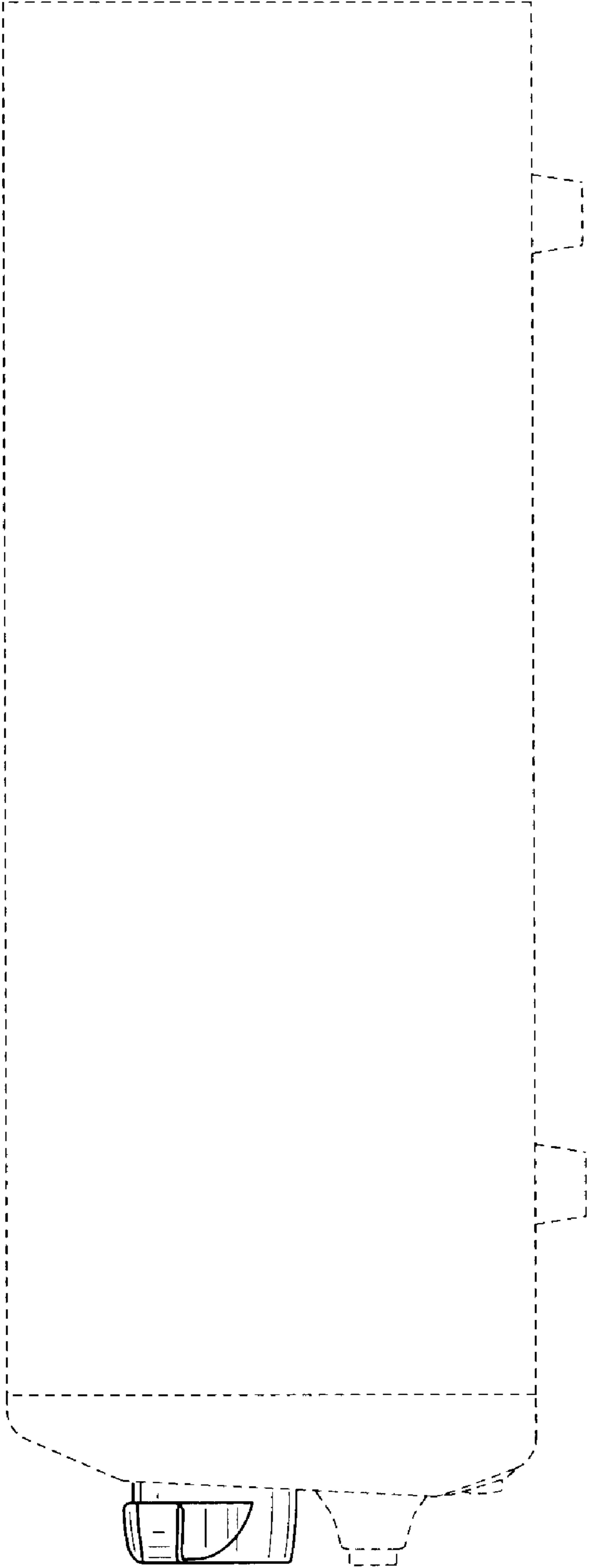
FIG. 1



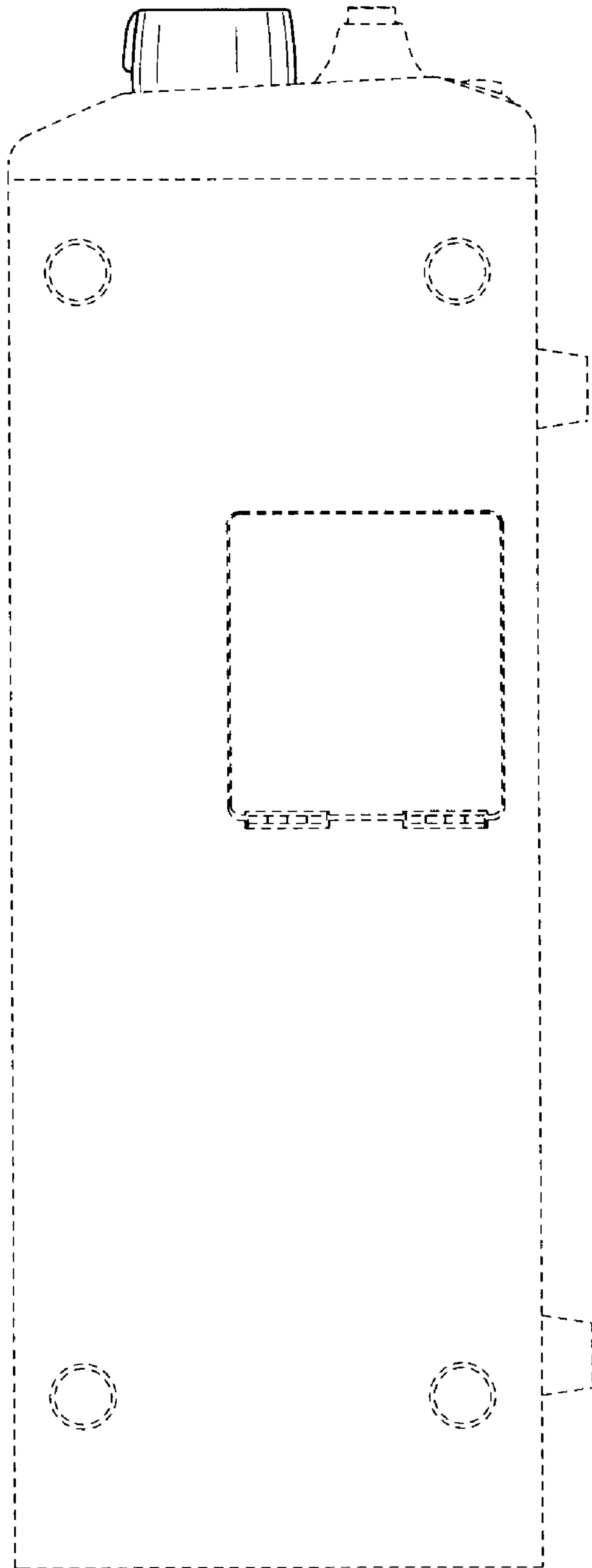
*FIG. 2*



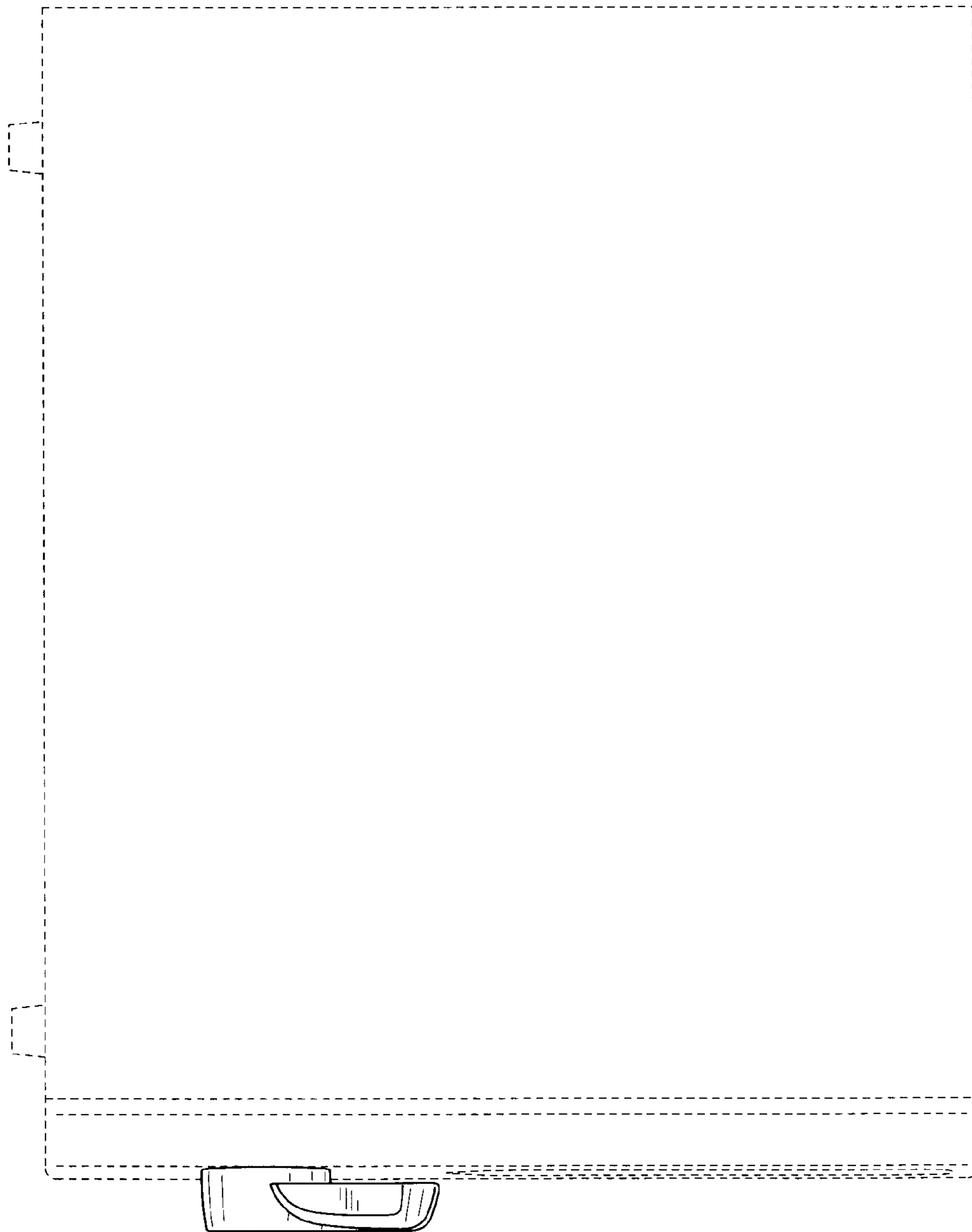
*FIG. 3*



**FIG. 4**



**FIG. 5**



*FIG. 6*

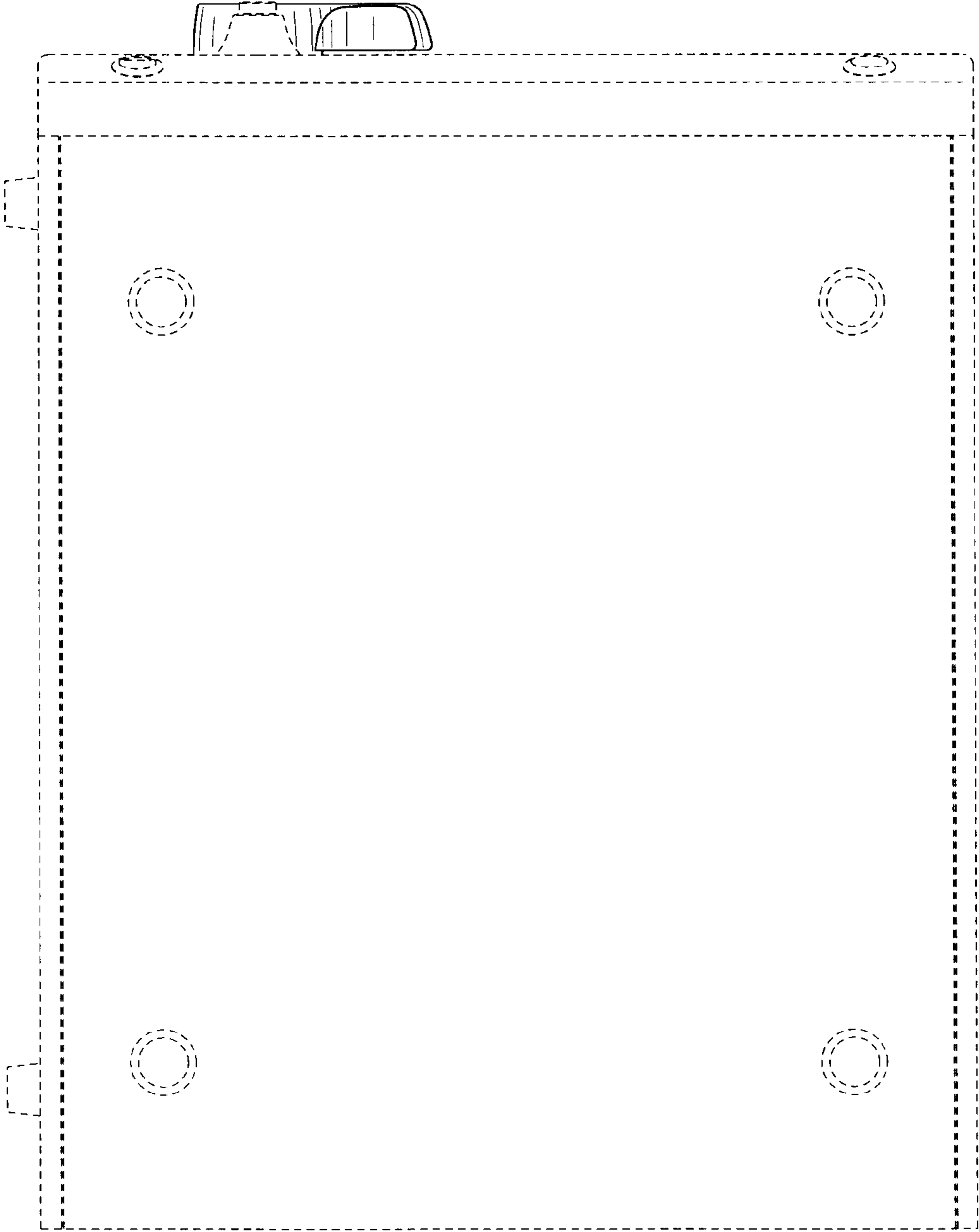


FIG. 7