

US00D533937S

(12) **United States Design Patent**
Pan

(10) **Patent No.:** **US D533,937 S**

(45) **Date of Patent:** **** Dec. 19, 2006**

(54) **COMBINED CEILING FAN HOUSING WITH LIGHT KIT AND BLADE IRONS**

D520,630 S * 5/2006 Pickett D23/411

* cited by examiner

(75) Inventor: **Peter Pan**, Shetzu (TW)

Primary Examiner—Lisa Lichtenstein

(73) Assignee: **Air Cool Industrial Co., Ltd.** (TW)

(74) *Attorney, Agent, or Firm*—Parsons & Goltry; Michael W. Goltry; Robert A. Parsons

(**) Term: **14 Years**

(57) **CLAIM**

(21) Appl. No.: **29/244,958**

The ornamental design for a combined ceiling fan housing with light kit and blade irons, as shown and described.

(22) Filed: **Dec. 16, 2005**

DESCRIPTION

(51) **LOC (8) Cl.** **23-04**

(52) **U.S. Cl.** **D23/411**; 26/59

(58) **Field of Classification Search** D23/377,
D23/379, 385, 411, 413; 416/5; D26/59,
D26/71, 81–88, 51; 362/96

See application file for complete search history.

FIG. 1 is a top perspective view of a combined ceiling fan housing with light kit and blade irons showing my new design;

FIG. 2 is bottom perspective view thereof;

FIG. 3 is a top plan view thereof;

FIG. 4 is a bottom plan view thereof; and

FIG. 5 is a front elevational view thereof;

FIG. 6 is a rear elevational view thereof;

FIG. 7 is a right side elevational view thereof; and,

FIG. 8 is a left side elevational view thereof.

(56) **References Cited**

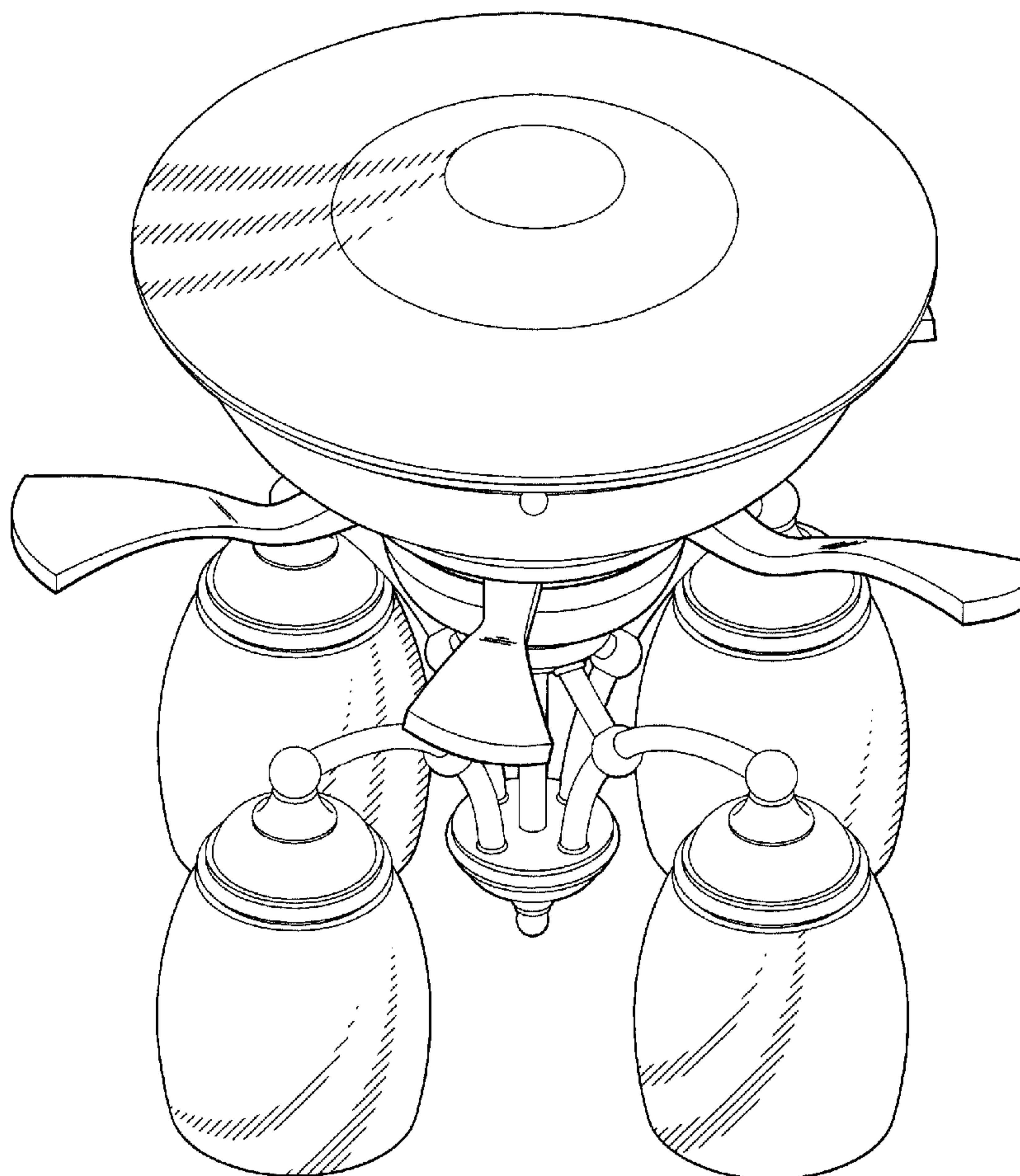
U.S. PATENT DOCUMENTS

D486,215 S * 2/2004 Hsieh D23/377

D487,801 S * 3/2004 Hsieh D23/377

D488,881 S * 4/2004 Dolan D26/81

1 Claim, 8 Drawing Sheets



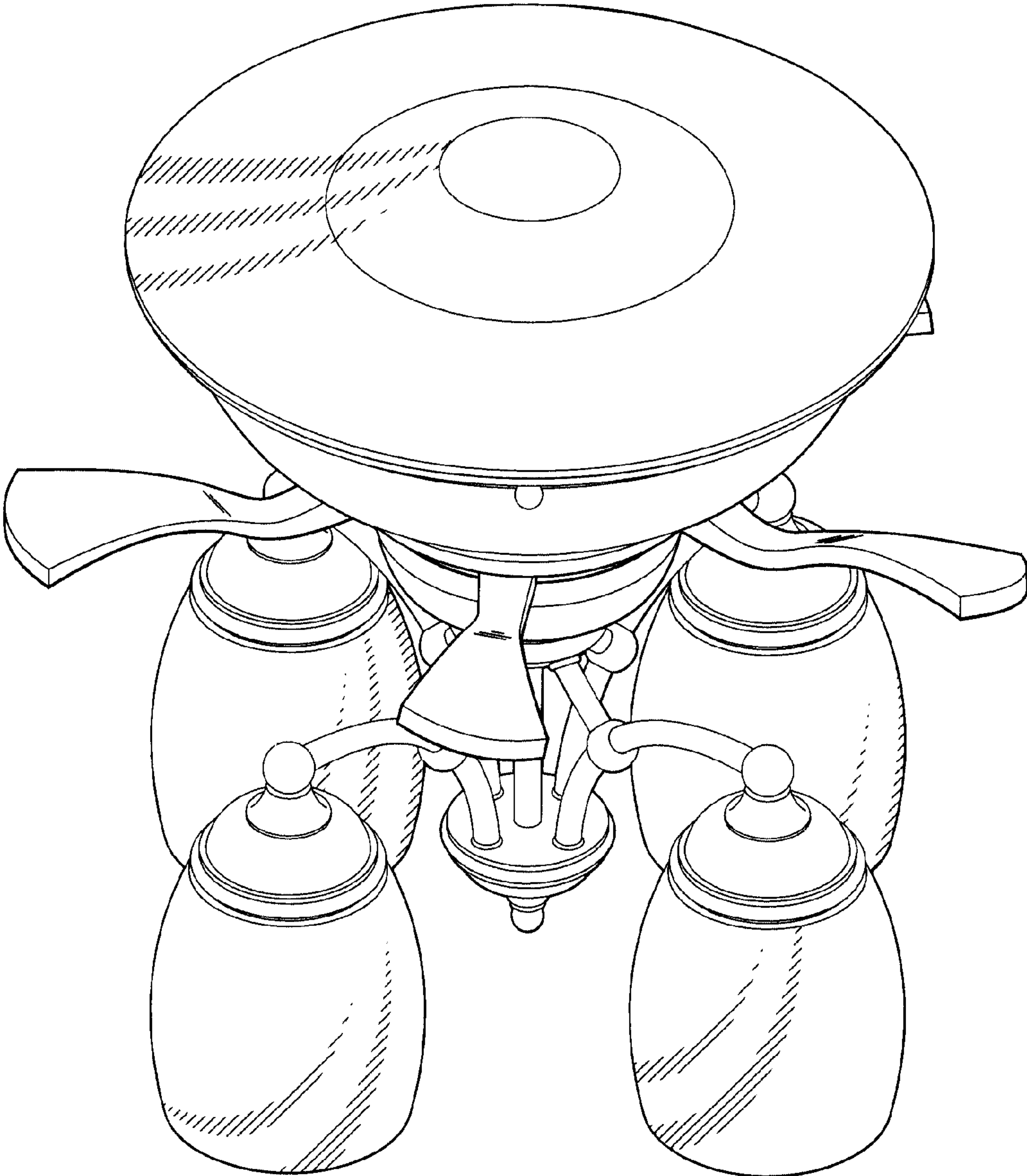


FIG. 1

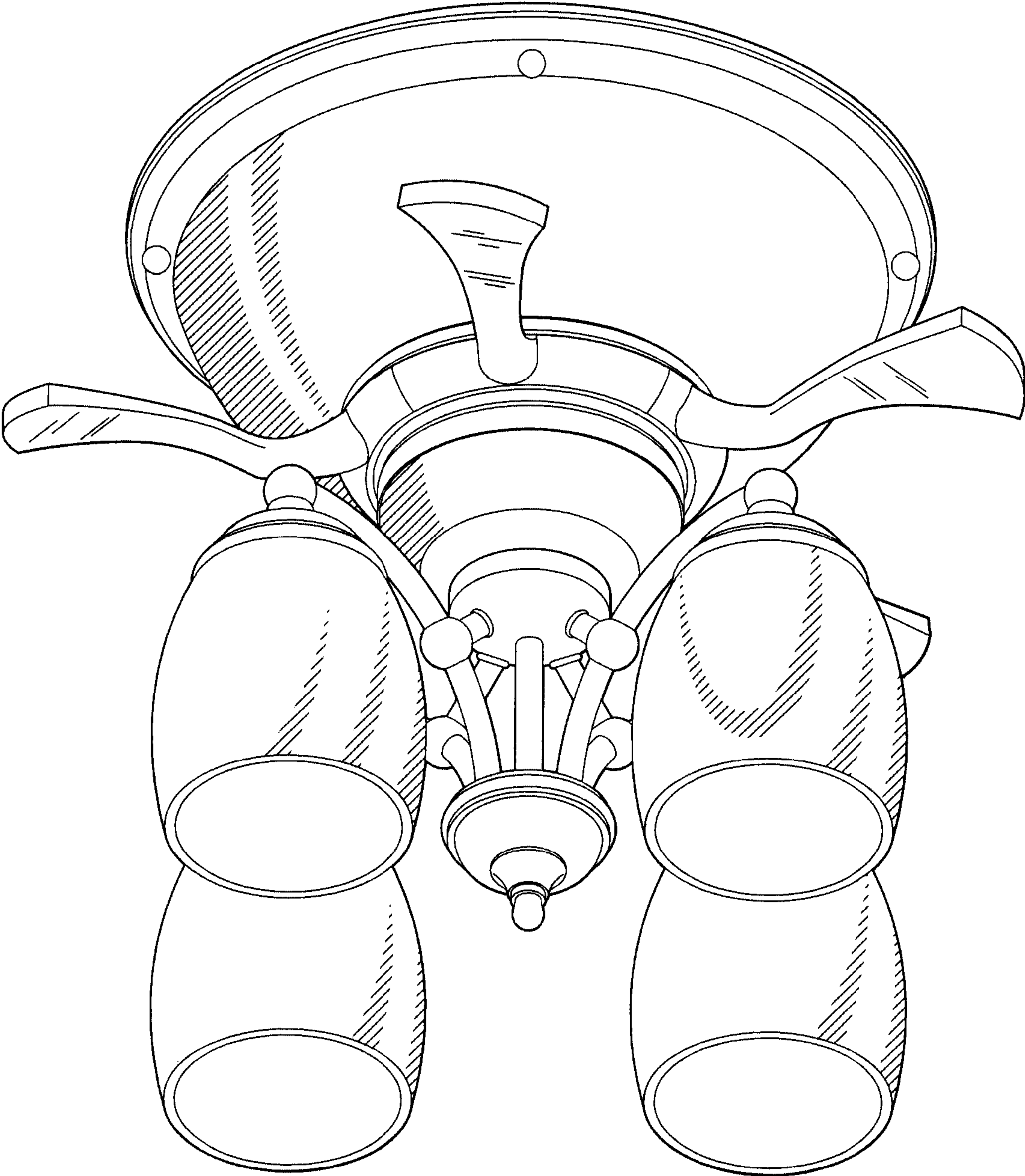


FIG. 2

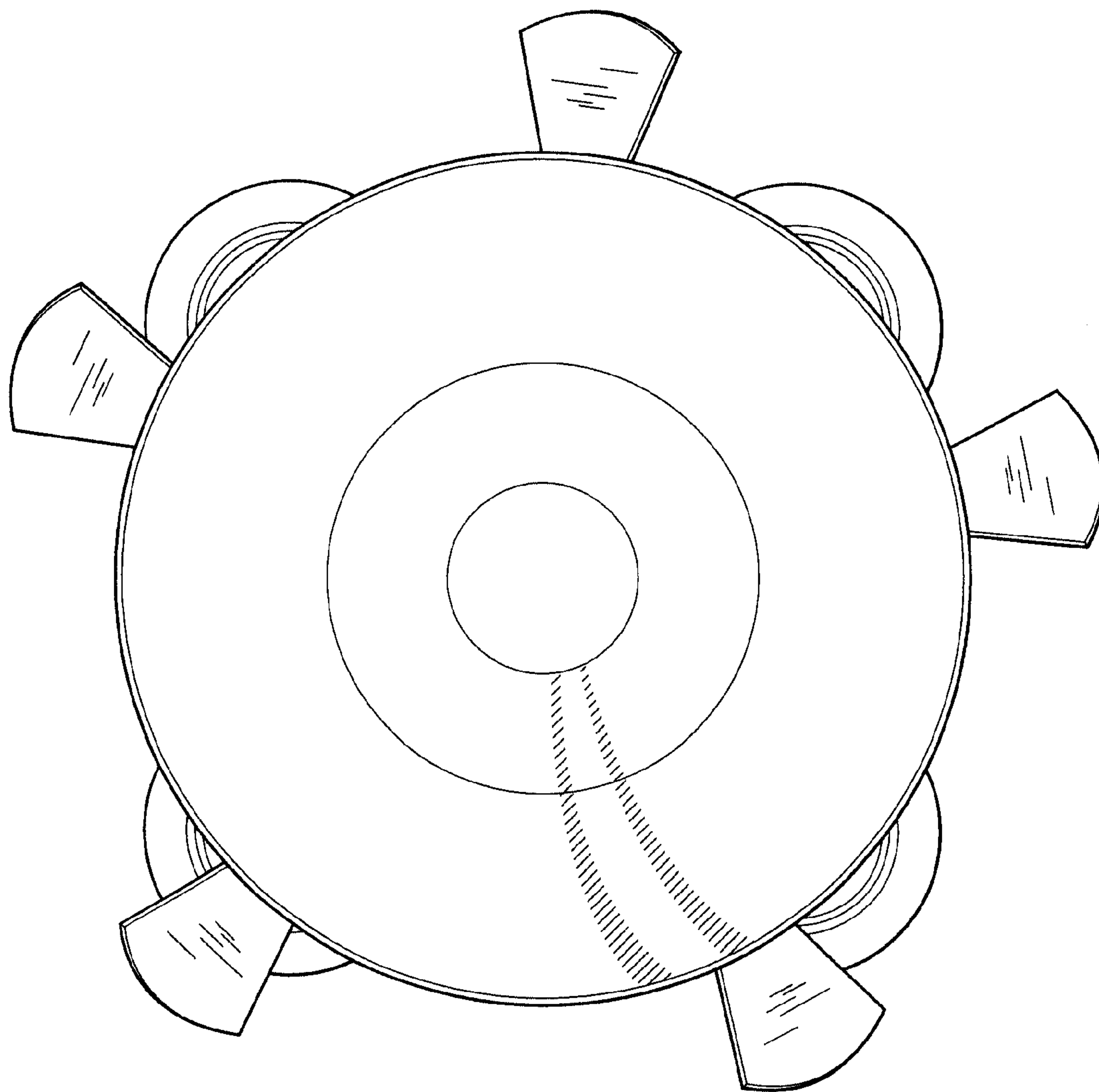


FIG. 3

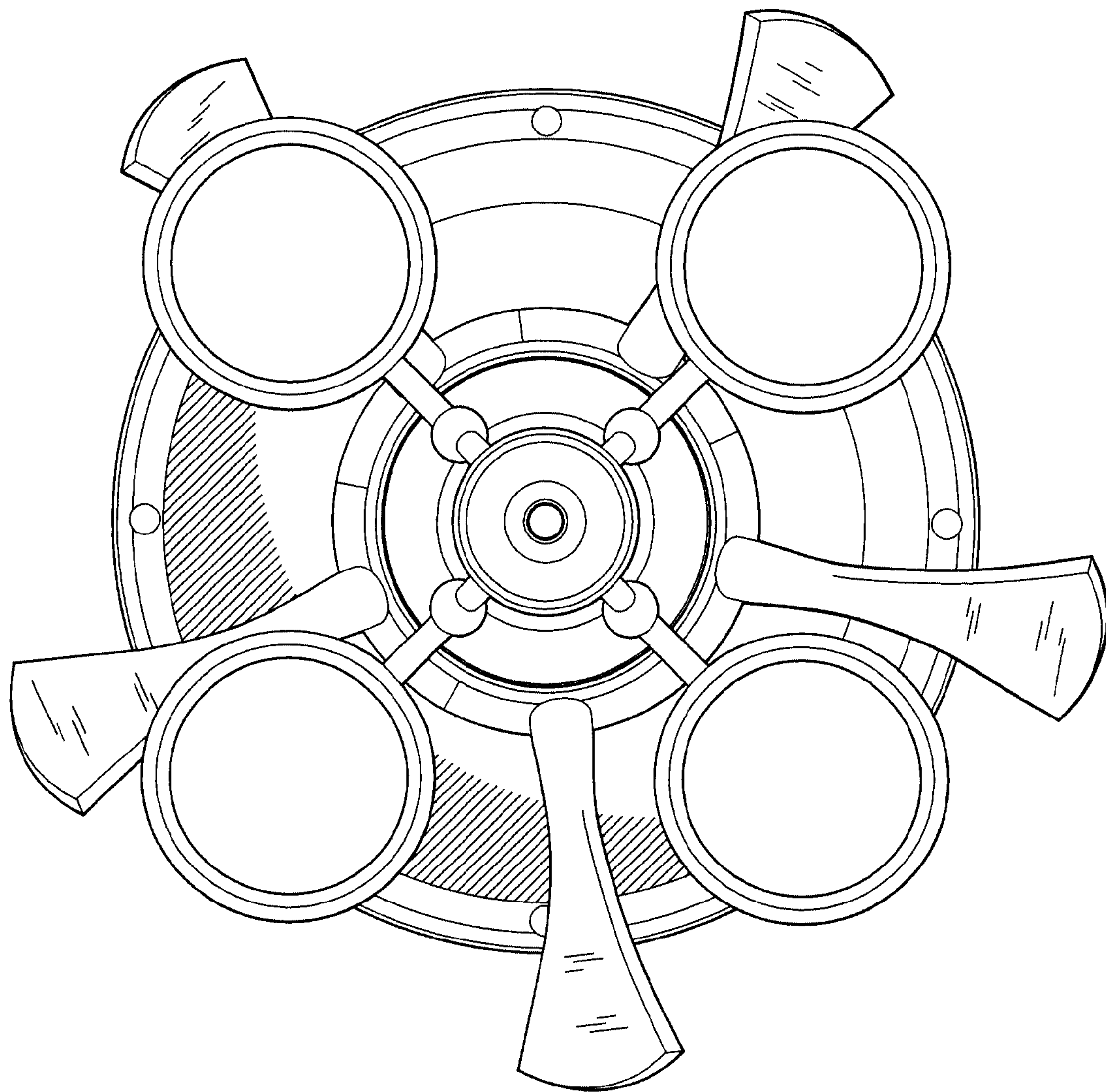


FIG. 4

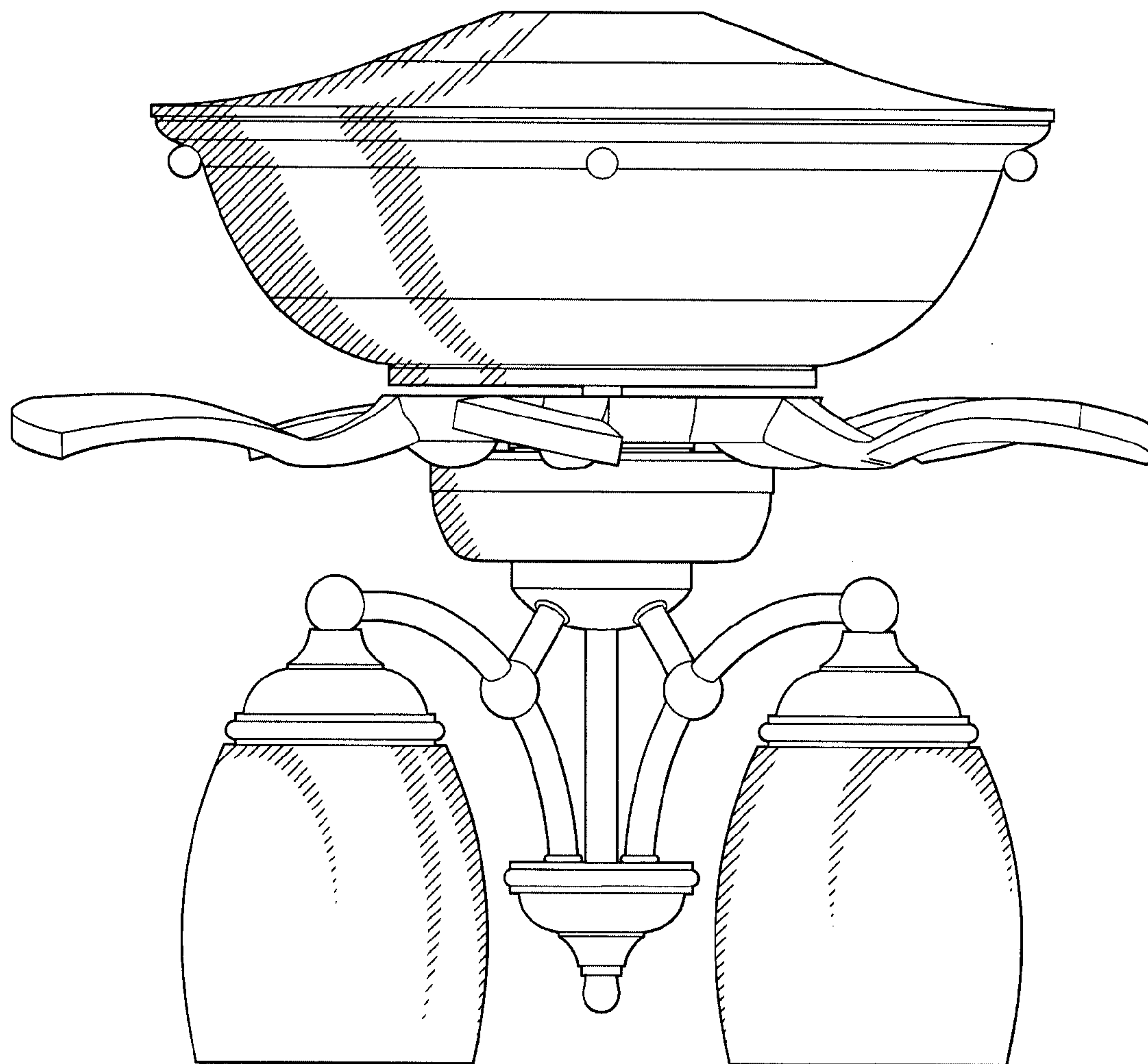


FIG. 5

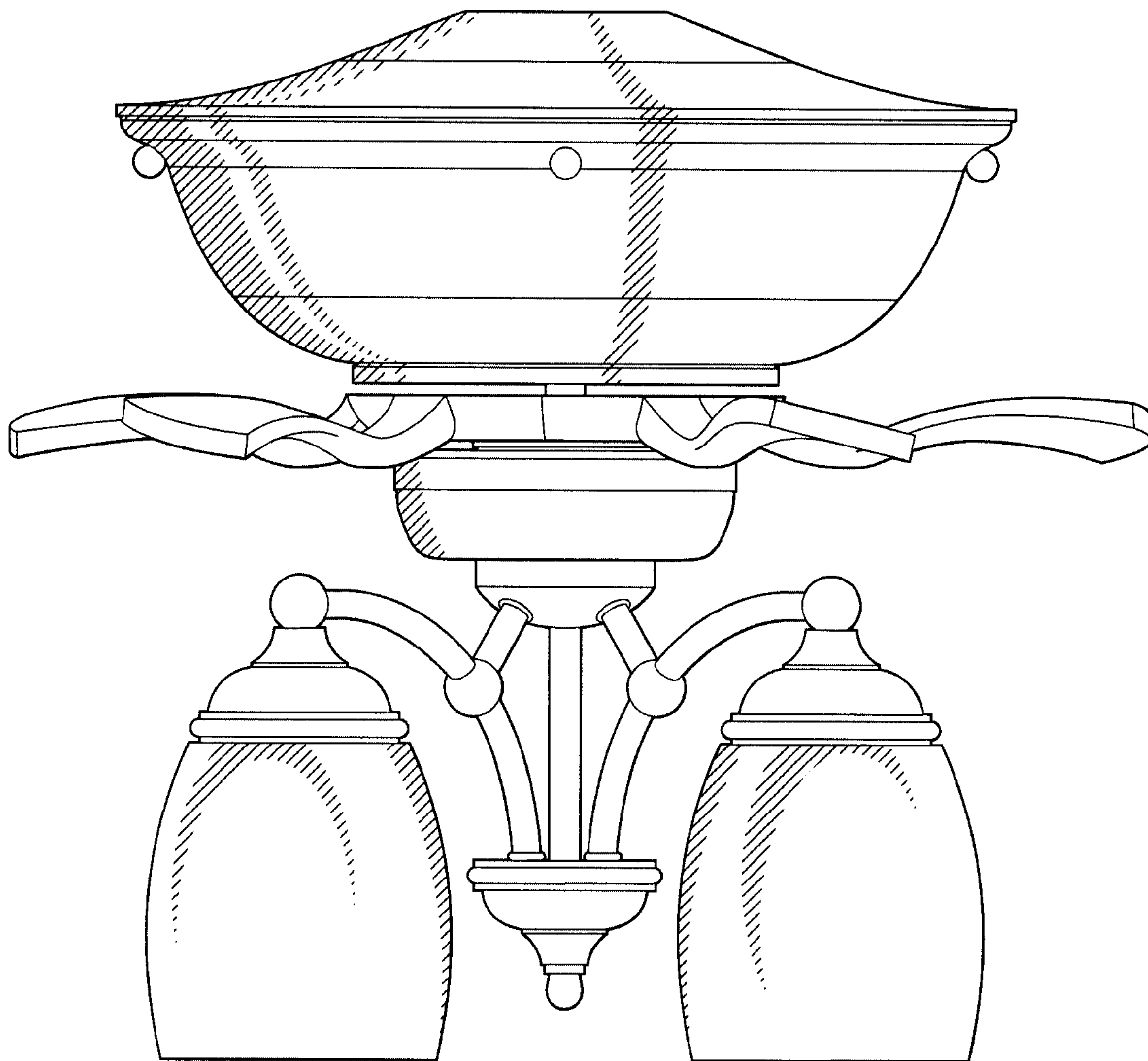


FIG. 6

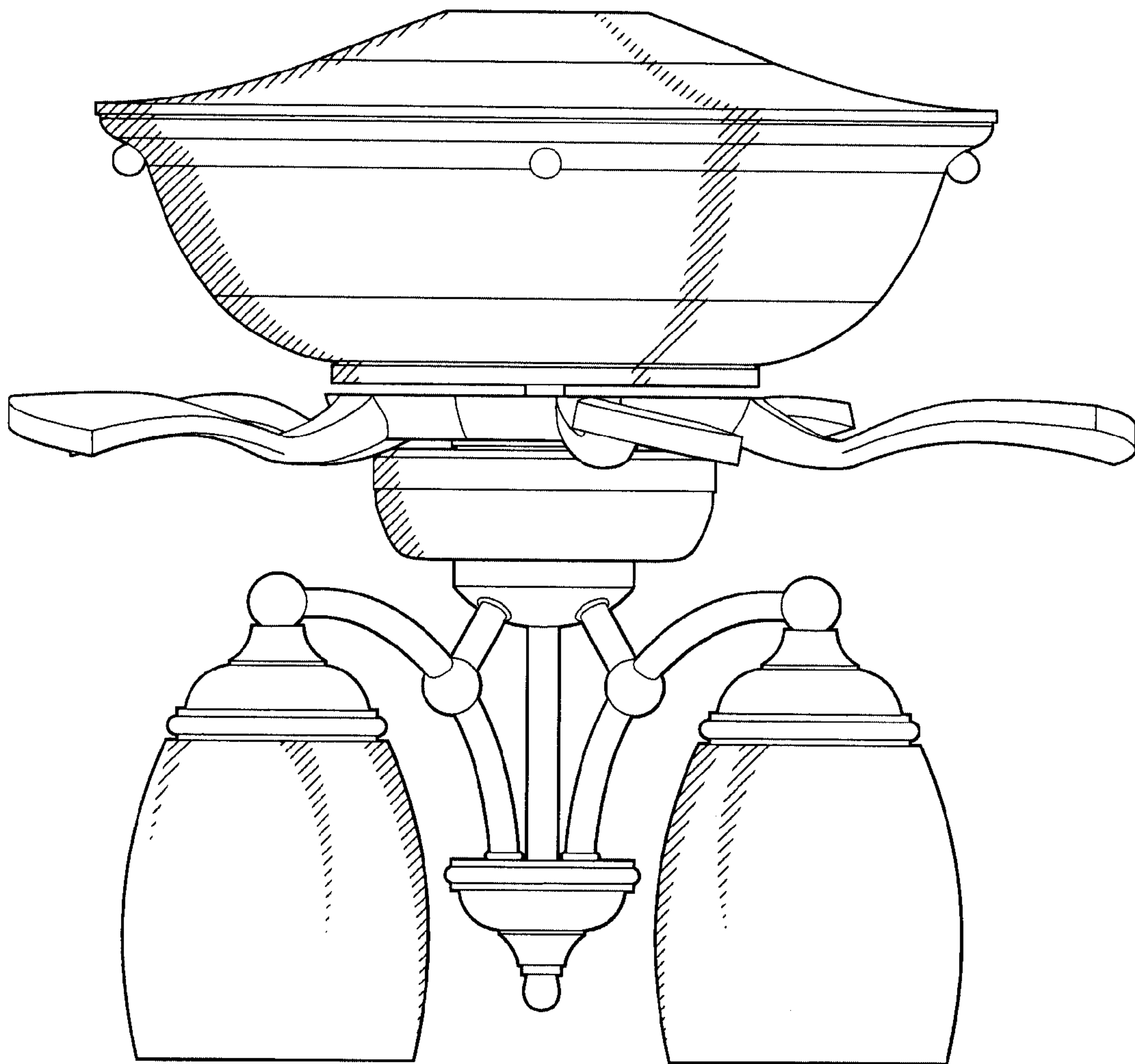


FIG. 7

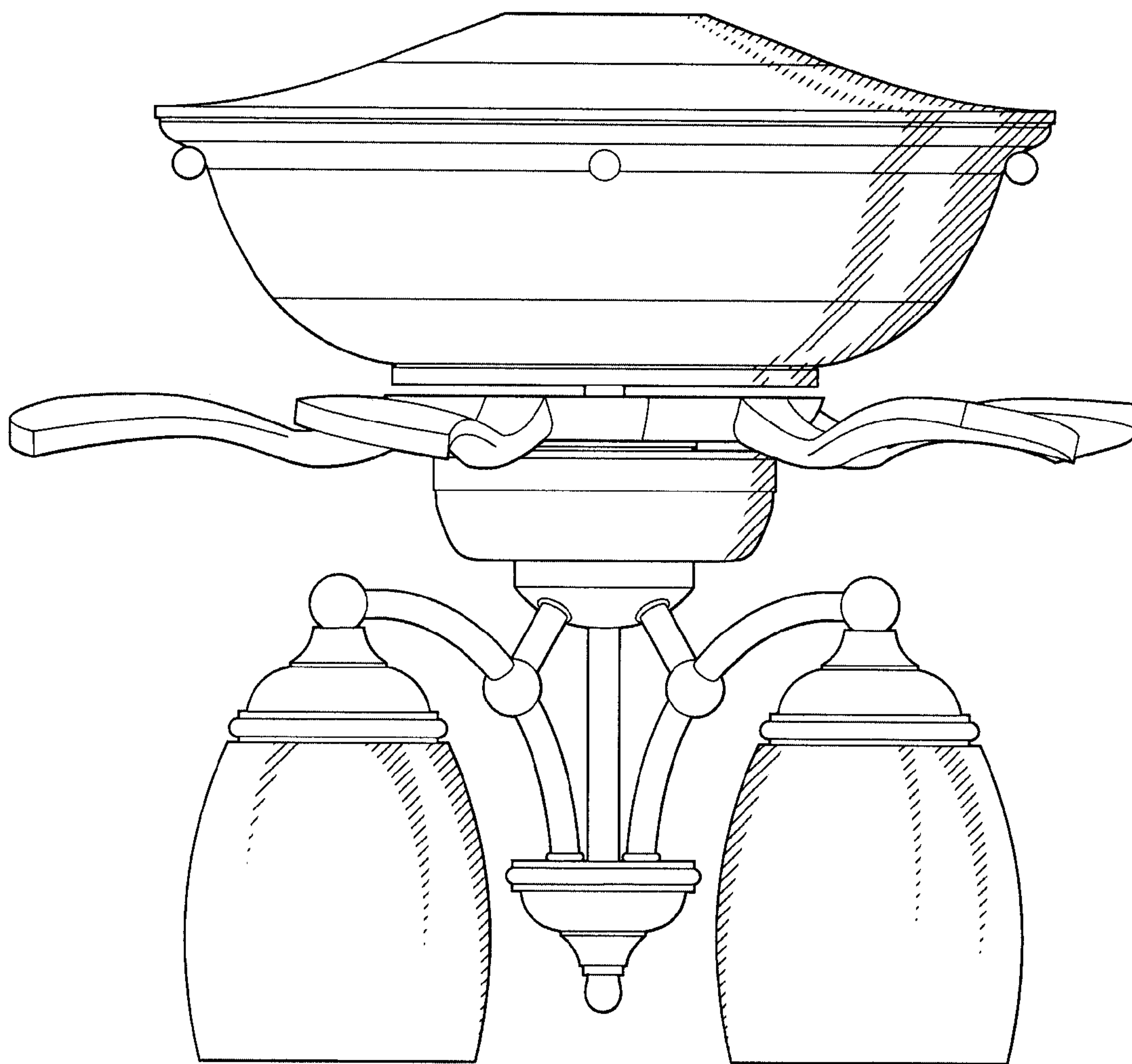


FIG. 8