



US00D533934S

(12) **United States Design Patent**  
**Chen Han**

(10) **Patent No.:** **US D533,934 S**

(45) **Date of Patent:** **\*\* Dec. 19, 2006**

(54) **BLOWING MACHINE**

D510,995 S \* 10/2005 Tam ..... D23/383

(75) Inventor: **Chun-Chu Chen Han**, Tu-Cheng (TW)

\* cited by examiner

(73) Assignee: **Apex Medical Corp.**, Tu Cheng (TW)

*Primary Examiner*—Lisa Lichtenstein

(\*\*) Term: **14 Years**

(74) *Attorney, Agent, or Firm*—Alan D. Kamrath; Nikolai & Mersereau, P.A.

(21) Appl. No.: **29/232,550**

(57) **CLAIM**

(22) Filed: **Jun. 21, 2005**

The ornamental design for a blowing machine, as shown and described.

(51) **LOC (8) Cl.** ..... **23-04**

**DESCRIPTION**

(52) **U.S. Cl.** ..... **D23/383**

FIG. 1 is the perspective view of a blowing machine showing my new design;

(58) **Field of Classification Search** ..... D23/383,  
D23/370; 415/204, 206, 213.1, 214.1  
See application file for complete search history.

FIG. 2 is the front elevational view thereof;

FIG. 3 is the rear elevational view thereof;

FIG. 4 is the left side elevational view thereof;

FIG. 5 is the right side elevational view thereof;

FIG. 6 is the top plan view thereof; and,

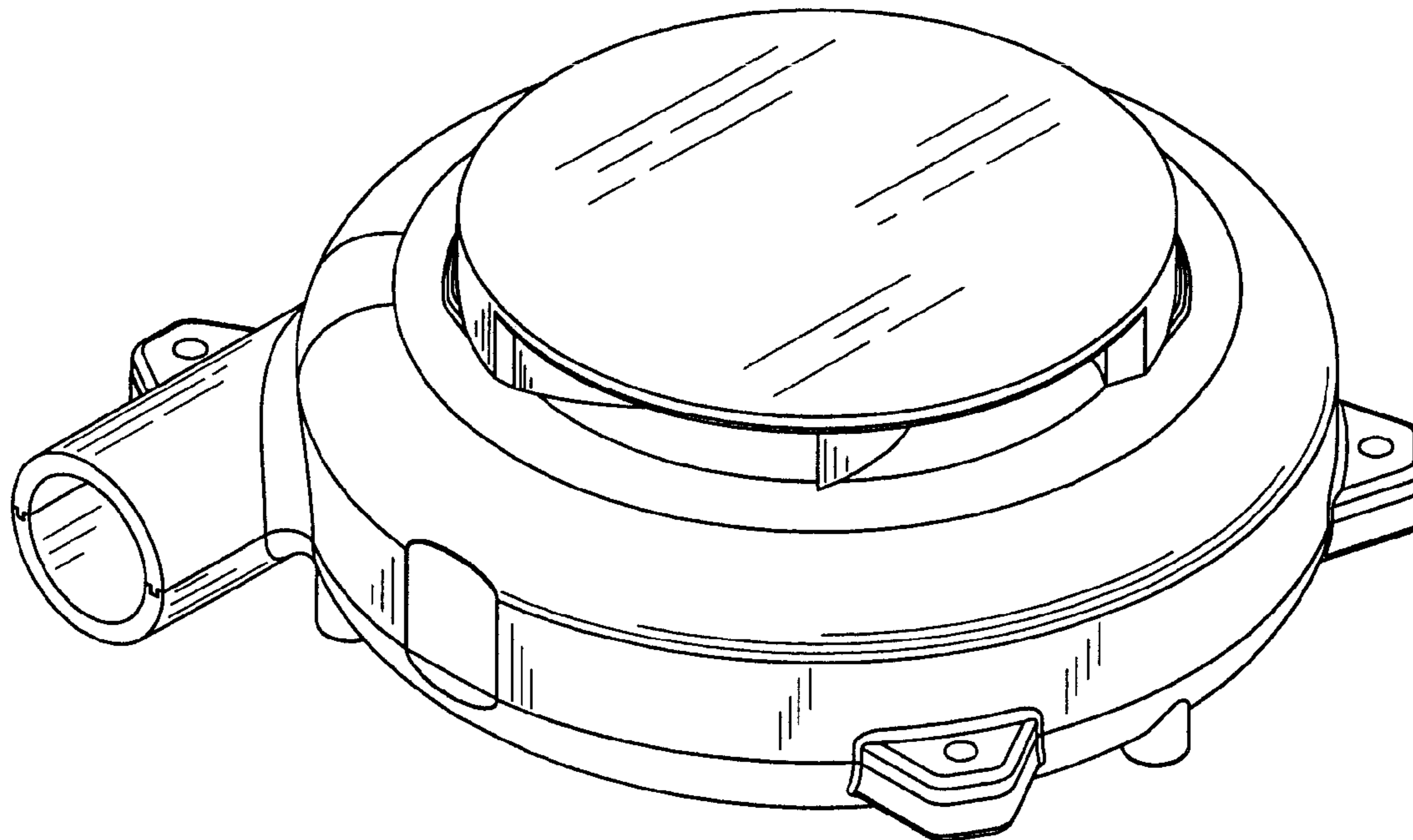
FIG. 7 is the bottom plan view thereof.

(56) **References Cited**

**U.S. PATENT DOCUMENTS**

D245,994 S \* 10/1977 Olson ..... D23/383

**1 Claim, 7 Drawing Sheets**



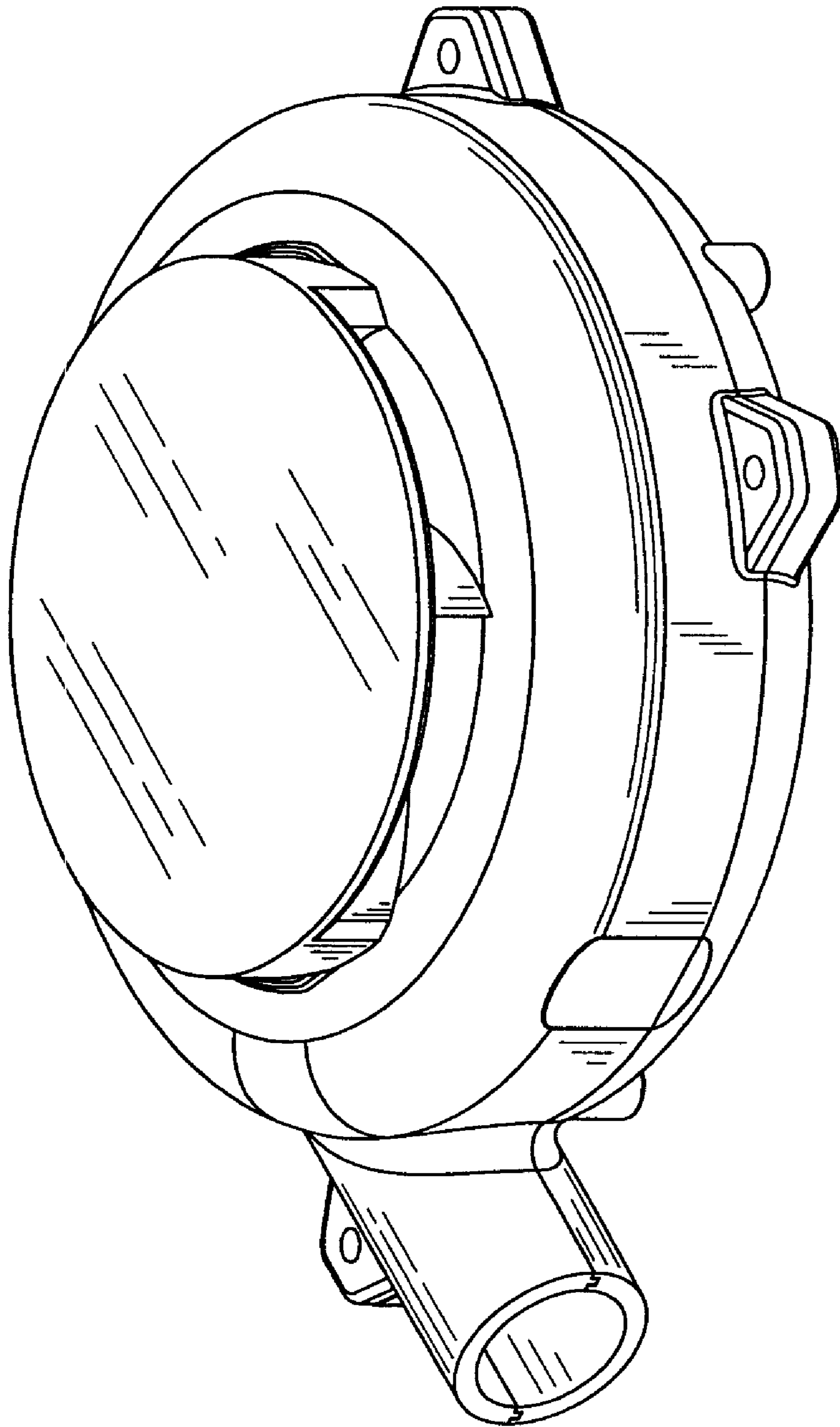


Fig. 1

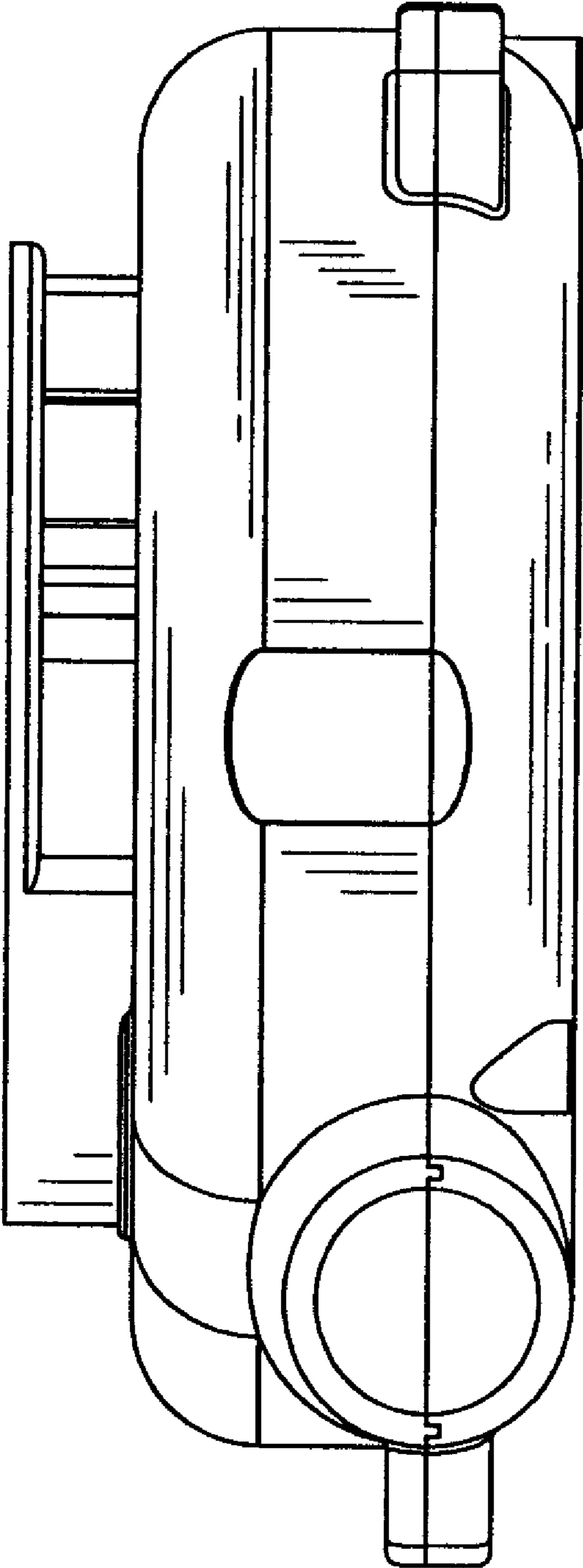


Fig. 2

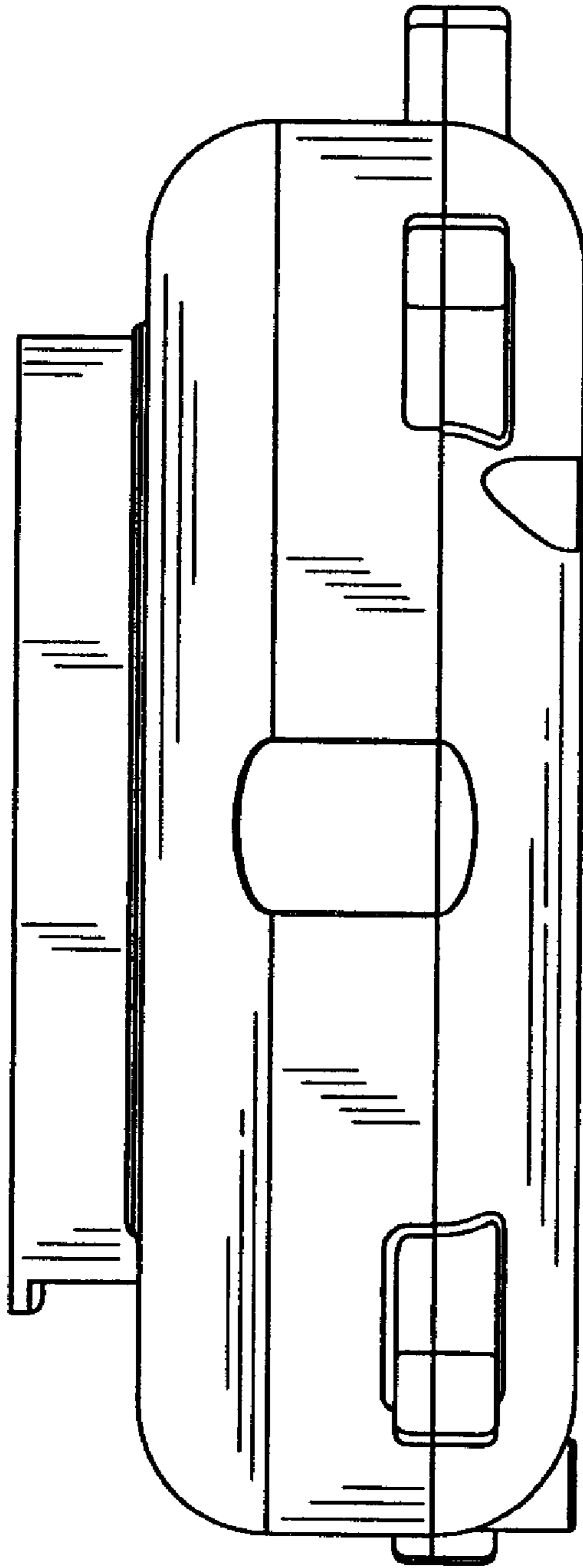


Fig. 3

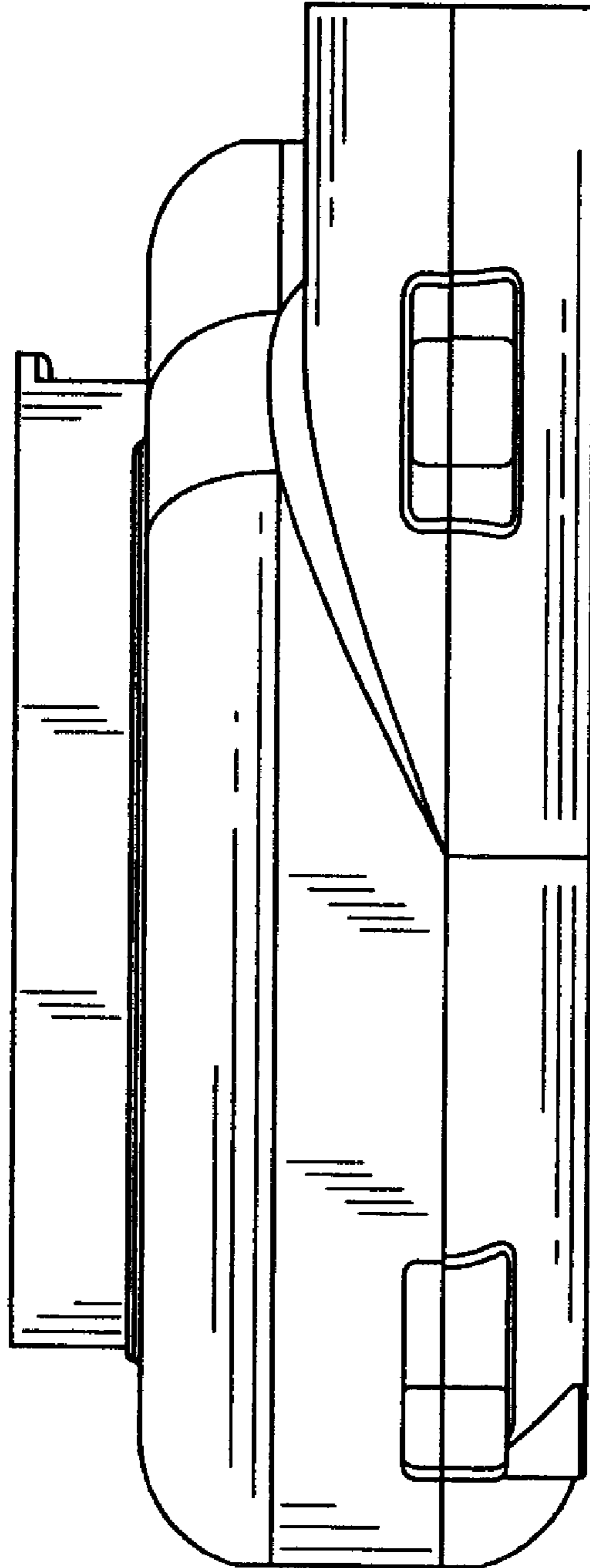


Fig. 4

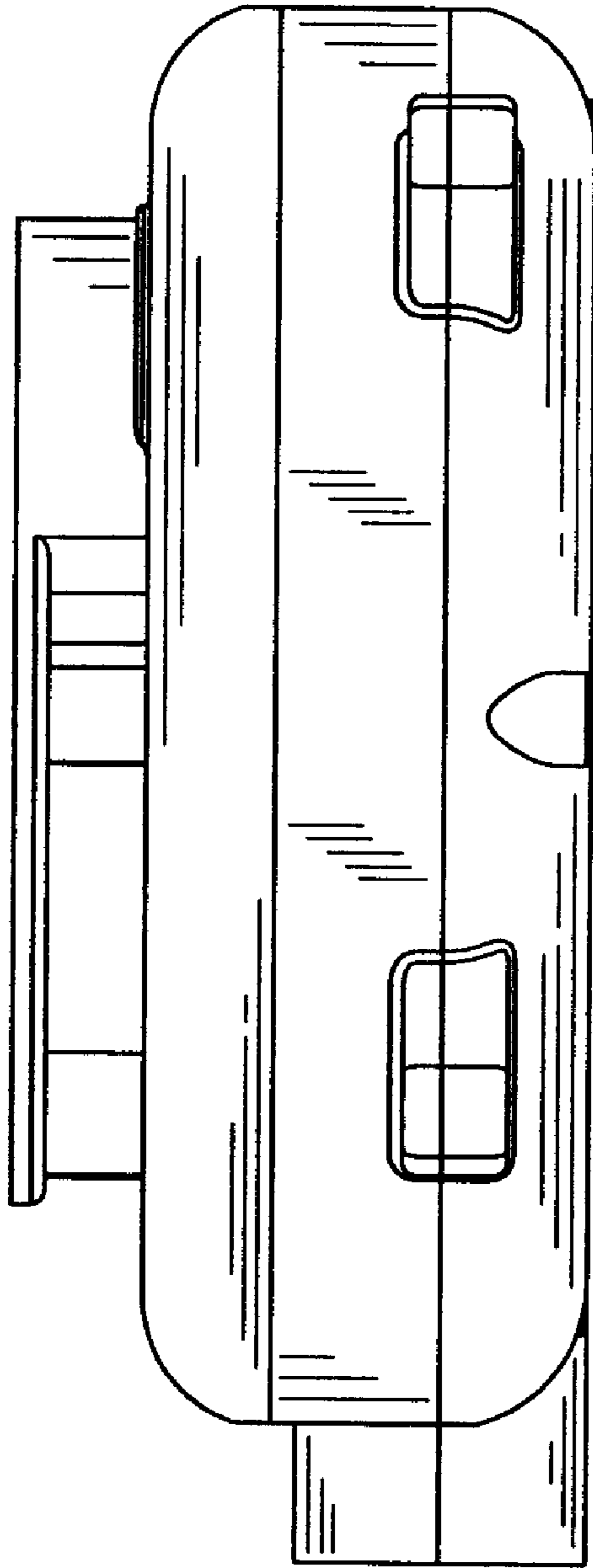


Fig. 5

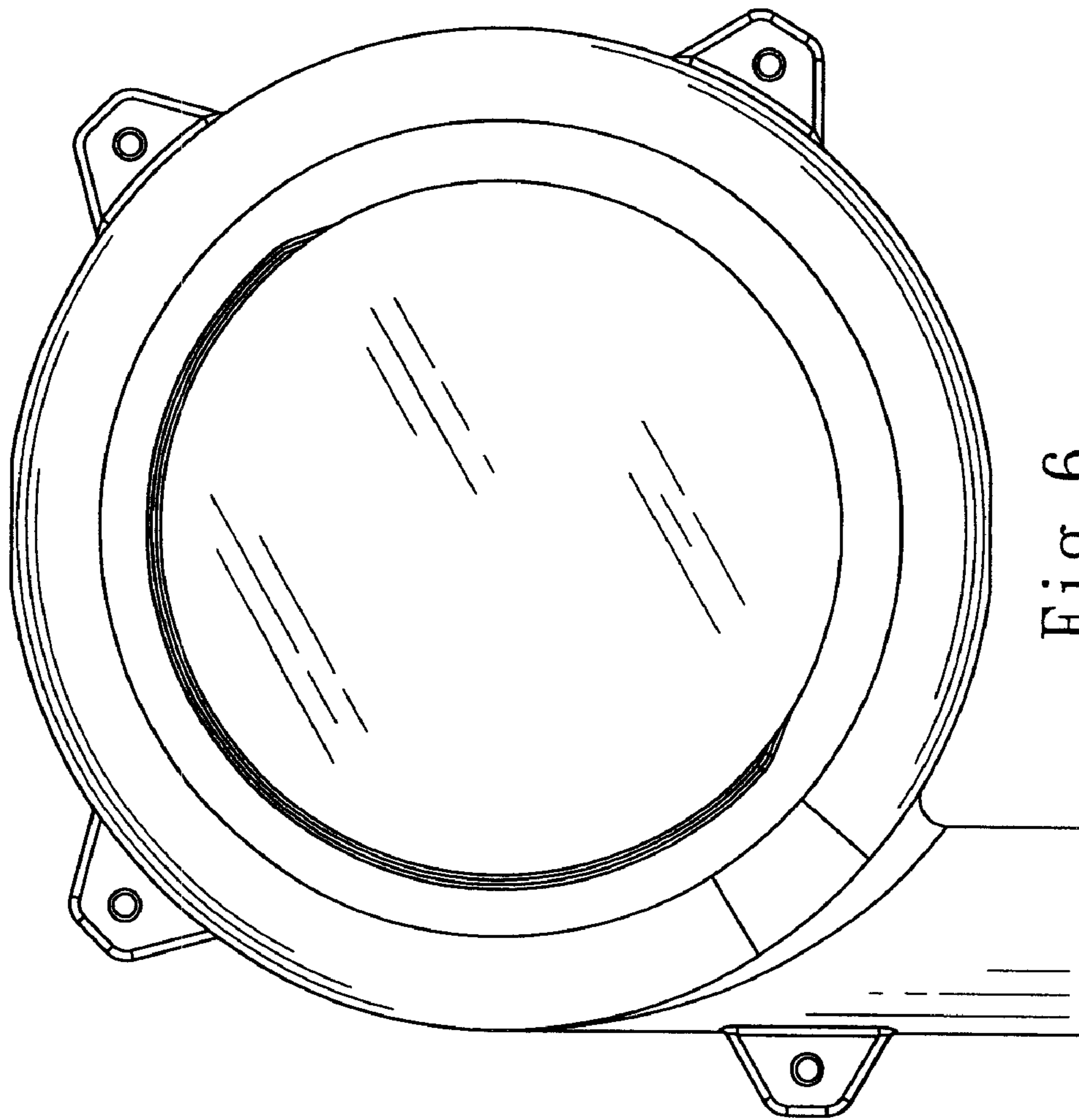


Fig. 6

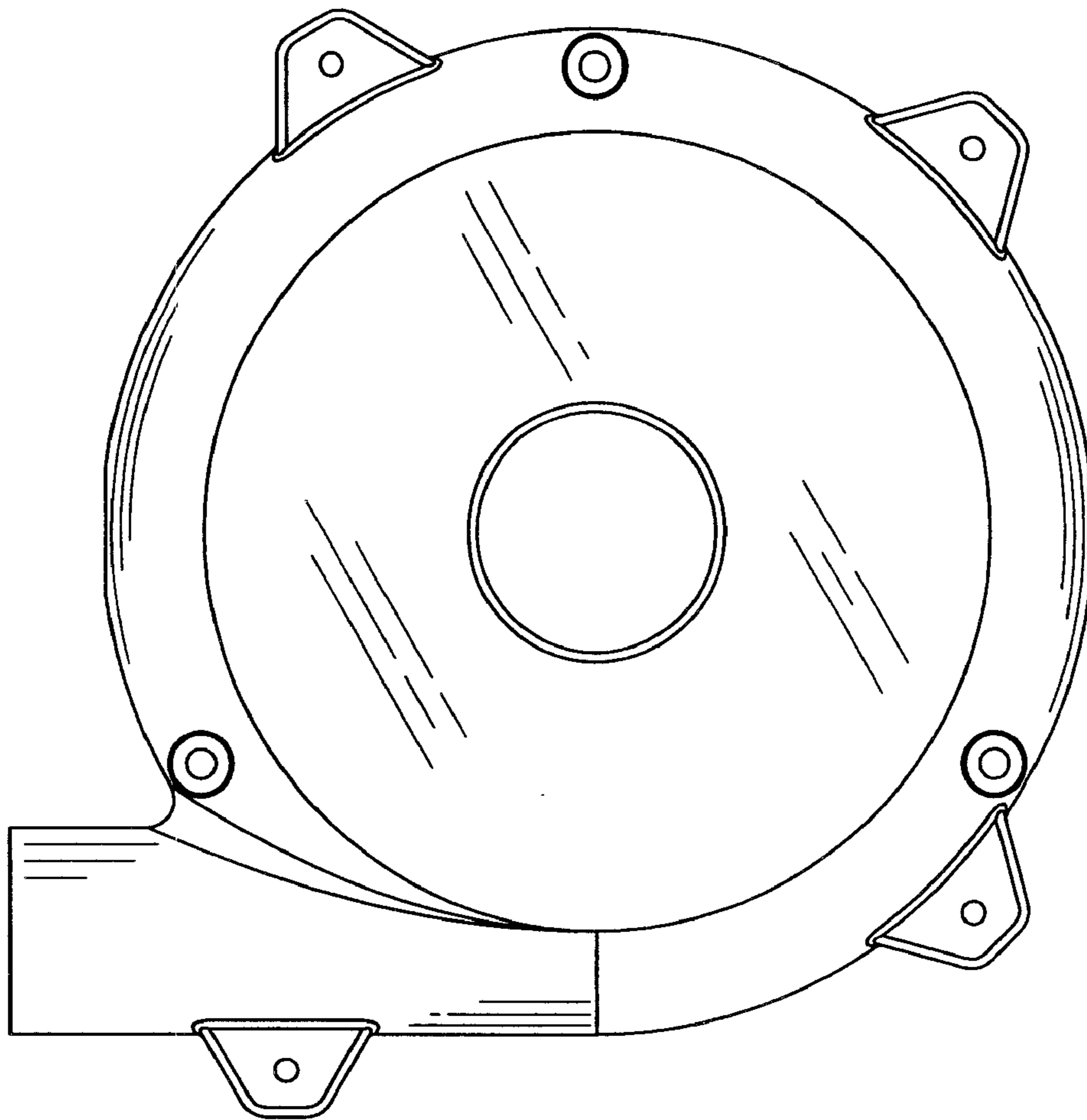


Fig. 7