

US00D533930S

(12) **United States Design Patent**
Keller, Jr. et al.

(10) **Patent No.:** **US D533,930 S**

(45) **Date of Patent:** **** Dec. 19, 2006**

(54) **AIR FRESHENER DEVICE**

(75) Inventors: **Leonard Joseph Keller, Jr.**, Cincinnati, OH (US); **Ricky Ah-Man Woo**, Hamilton, OH (US); **Michael Sean Farrell**, Terrace Park, OH (US)

(73) Assignee: **The Procter & Gamble Company**, Cincinnati, OH (US)

(**) Term: **14 Years**

(21) Appl. No.: **29/244,073**

(22) Filed: **Dec. 5, 2005**

Related U.S. Application Data

(63) Continuation-in-part of application No. 29/211,426, filed on Aug. 16, 2004, now abandoned.

(51) **LOC (8) Cl.** **28-99**

(52) **U.S. Cl.** **D23/366**

(58) **Field of Classification Search** 392/386, 392/390-394, 398, 401, 403, 405-406; 239/135-136, 239/34, 35, 56-58, 37, 41, 42, 60; 261/DIG. 17, 261/DIG. 65, DIG. 88, DIG. 89; D23/355-369
See application file for complete search history.

(56) **References Cited**

U.S. PATENT DOCUMENTS

| | | | | | |
|------------|---|---------|----------------|-------|---------|
| D393,063 S | * | 3/1998 | Wefler | | D23/366 |
| D425,190 S | * | 5/2000 | Morikawa | | D23/366 |
| D432,222 S | * | 10/2000 | Rymer et al. | | D23/366 |
| D433,744 S | * | 11/2000 | Basaganas | | D23/366 |
| D437,636 S | * | 2/2001 | Basaganas | | D23/366 |
| D439,320 S | * | 3/2001 | Lee | | D23/366 |
| D440,291 S | * | 4/2001 | Wolpert et al. | | D23/360 |
| D447,550 S | * | 9/2001 | Basaganas | | D23/366 |
| D449,101 S | * | 10/2001 | Wolpert et al. | | D23/366 |
| D456,886 S | * | 5/2002 | Hart et al. | | D23/366 |
| D461,549 S | * | 8/2002 | Garcia | | D23/360 |
| D461,885 S | * | 8/2002 | Jordi | | D23/366 |

| | | | | | |
|------------|---|---------|-------------------------|-------|---------|
| D462,755 S | * | 9/2002 | Basaganas Millan | | D23/366 |
| D465,019 S | * | 10/2002 | Wu | | D23/366 |
| D466,204 S | * | 11/2002 | Wolpert et al. | | D23/366 |
| D468,627 S | * | 1/2003 | Dampney | | D9/693 |
| D469,862 S | * | 2/2003 | Cruver et al. | | D23/366 |
| D473,638 S | * | 4/2003 | Cruver, IV | | D23/366 |
| D474,268 S | * | 5/2003 | Choke-arpornchai et al. | | D23/366 |
| D478,379 S | * | 8/2003 | Talenton et al. | | D23/366 |
| D480,792 S | * | 10/2003 | Millan | | D23/366 |
| D481,787 S | * | 11/2003 | Millan | | D23/366 |
| D485,340 S | * | 1/2004 | Wu | | D23/366 |
| D485,341 S | * | 1/2004 | Wu | | D23/366 |
| D487,144 S | * | 2/2004 | Choke-arpornchai et al. | | D23/366 |
| D491,256 S | * | 6/2004 | Fellows et al. | | D23/366 |
| D491,798 S | * | 6/2004 | Buthier | | D23/366 |
| D493,899 S | * | 8/2004 | Grodsky et al. | | D26/26 |
| D501,546 S | * | 2/2005 | Cruver et al. | | D23/366 |
| D501,921 S | * | 2/2005 | Caserta et al. | | D23/366 |
| D502,540 S | * | 3/2005 | Cruver et al. | | D23/366 |

* cited by examiner

Primary Examiner—Sandra S. Snapp

(74) *Attorney, Agent, or Firm*—Thibault Fayette; Brent M. Peebles

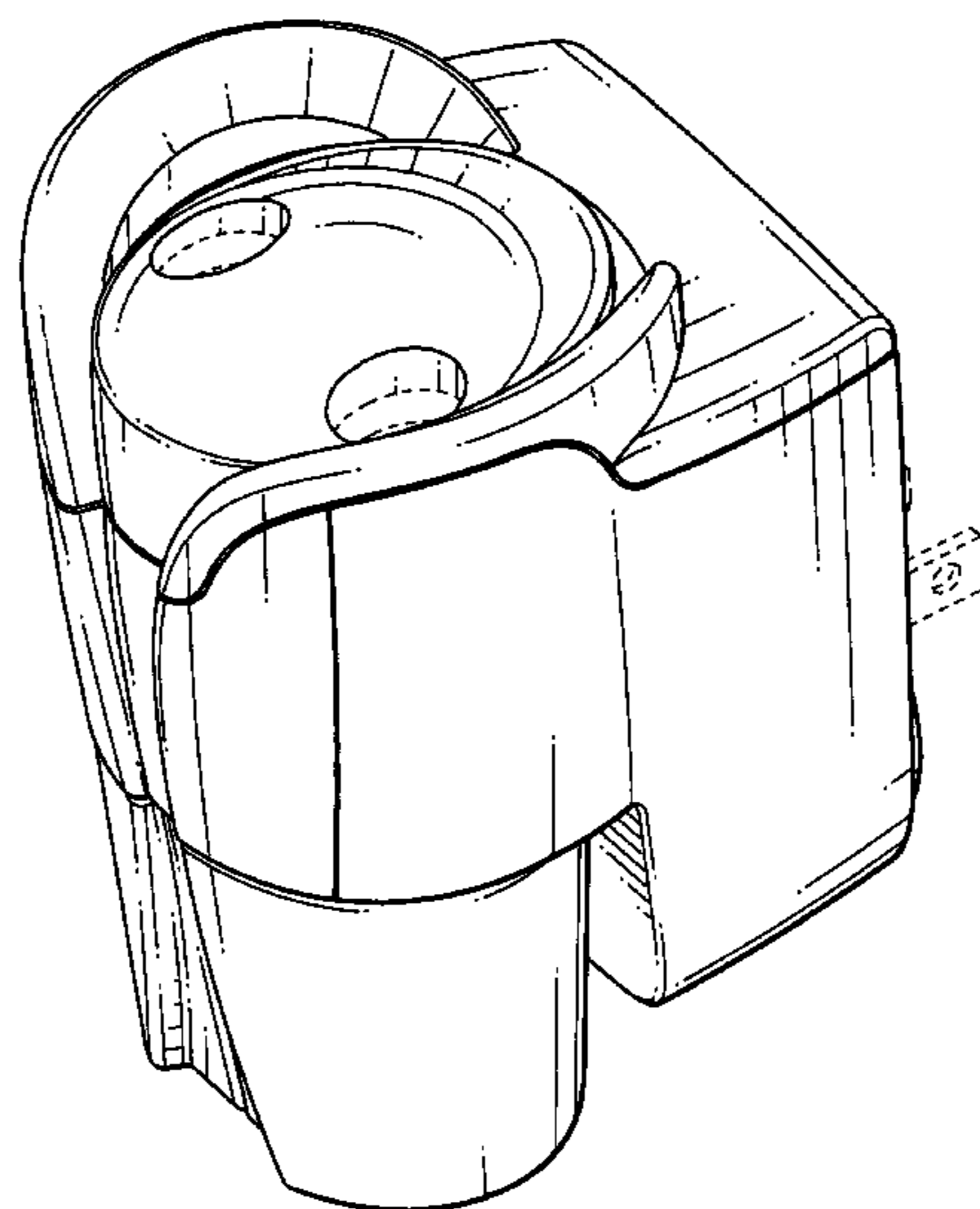
(57) **CLAIM**

The ornamental design for an air freshener device, as shown and described.

DESCRIPTION

FIG. 1 is a perspective view of the air freshener device, embodying the new design;
FIG. 2 is a front view thereof;
FIG. 3 is a right side view thereof, the opposite left side is a mirror image thereof;
FIG. 4 is a top view thereof; and,
FIG. 5 is a bottom view thereof.
The broken lines shown in the drawings are for illustrative purposes only and form no part of the claimed design.

1 Claim, 5 Drawing Sheets



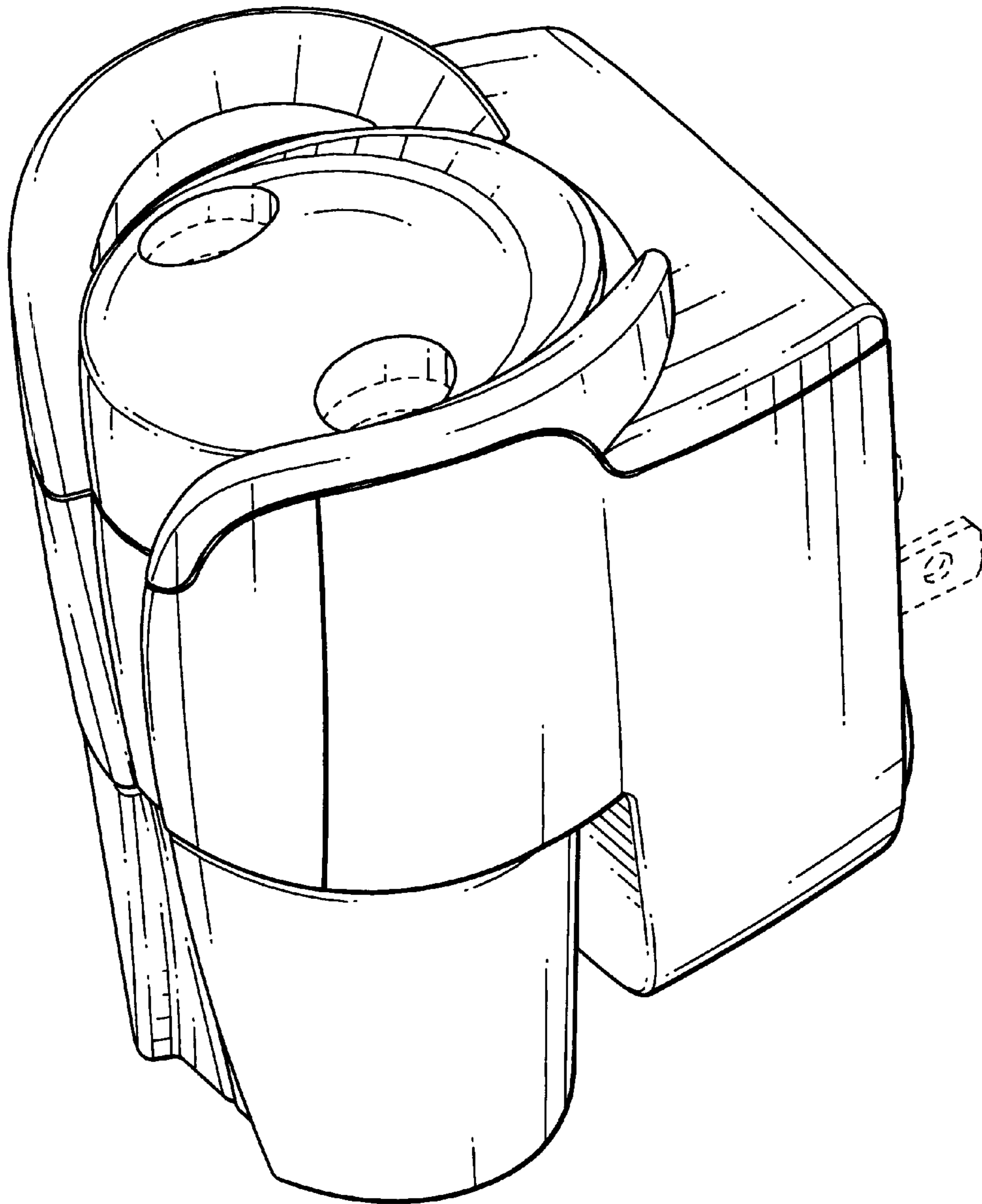


FIG. 1

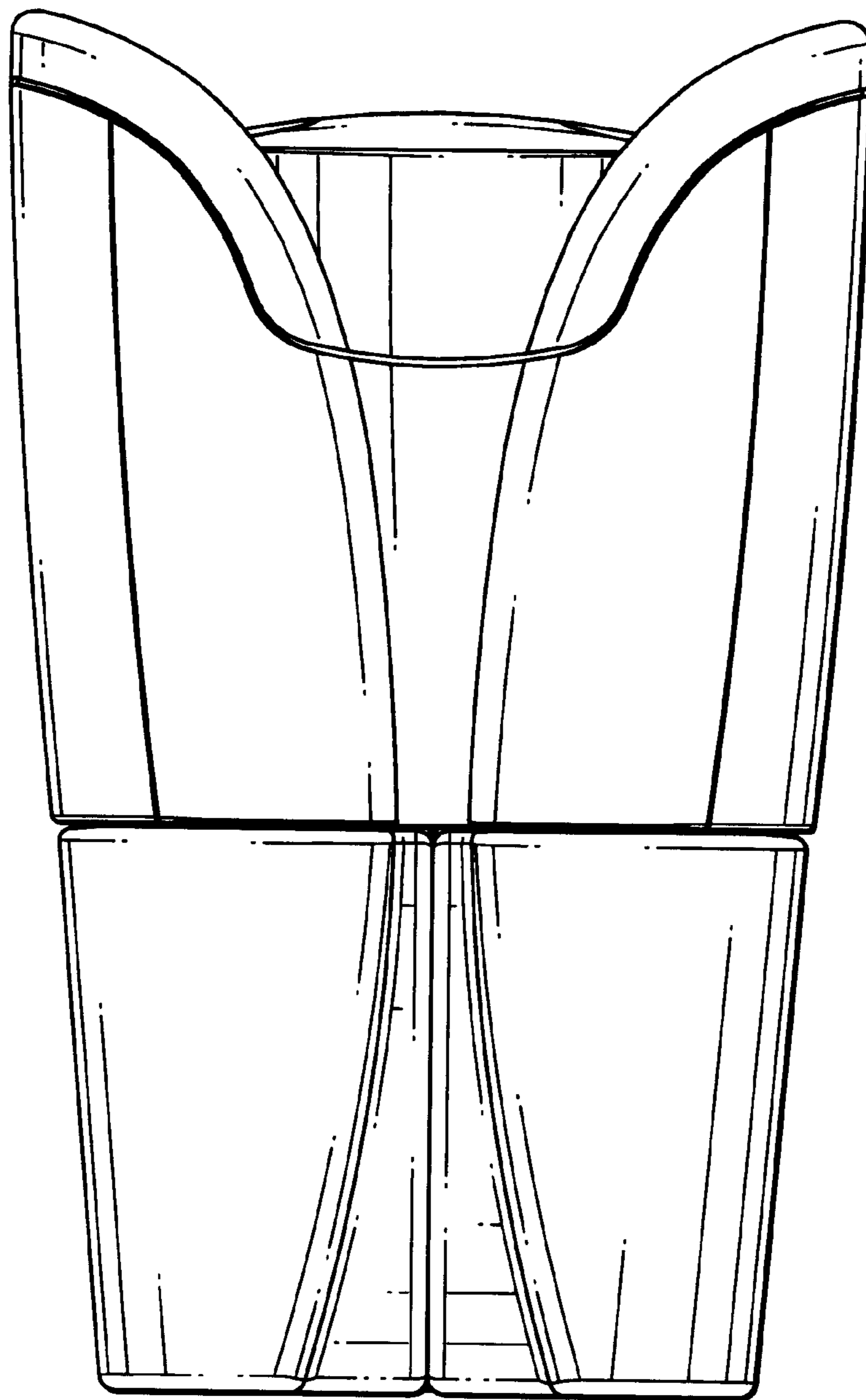


FIG. 2

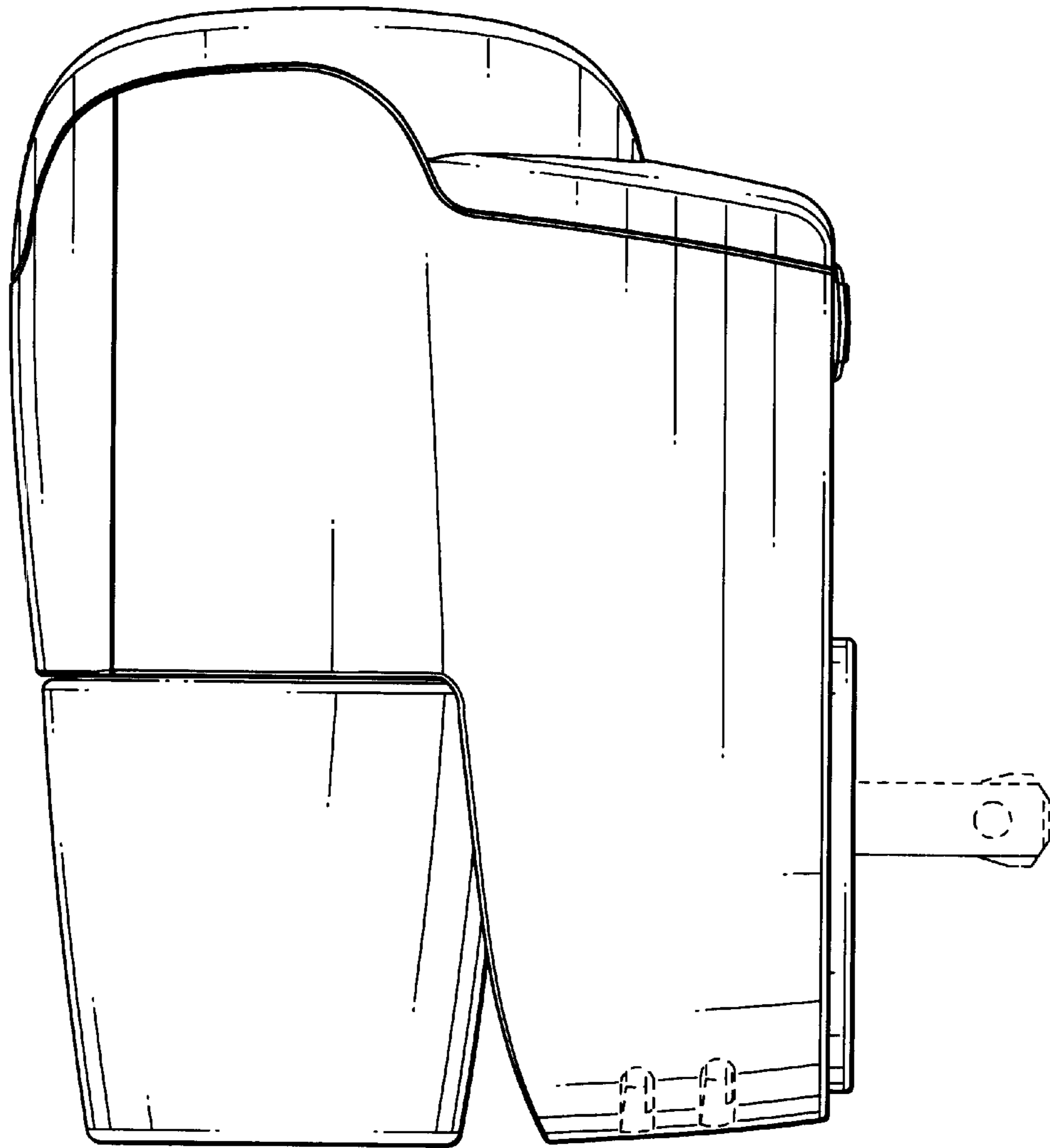


FIG. 3

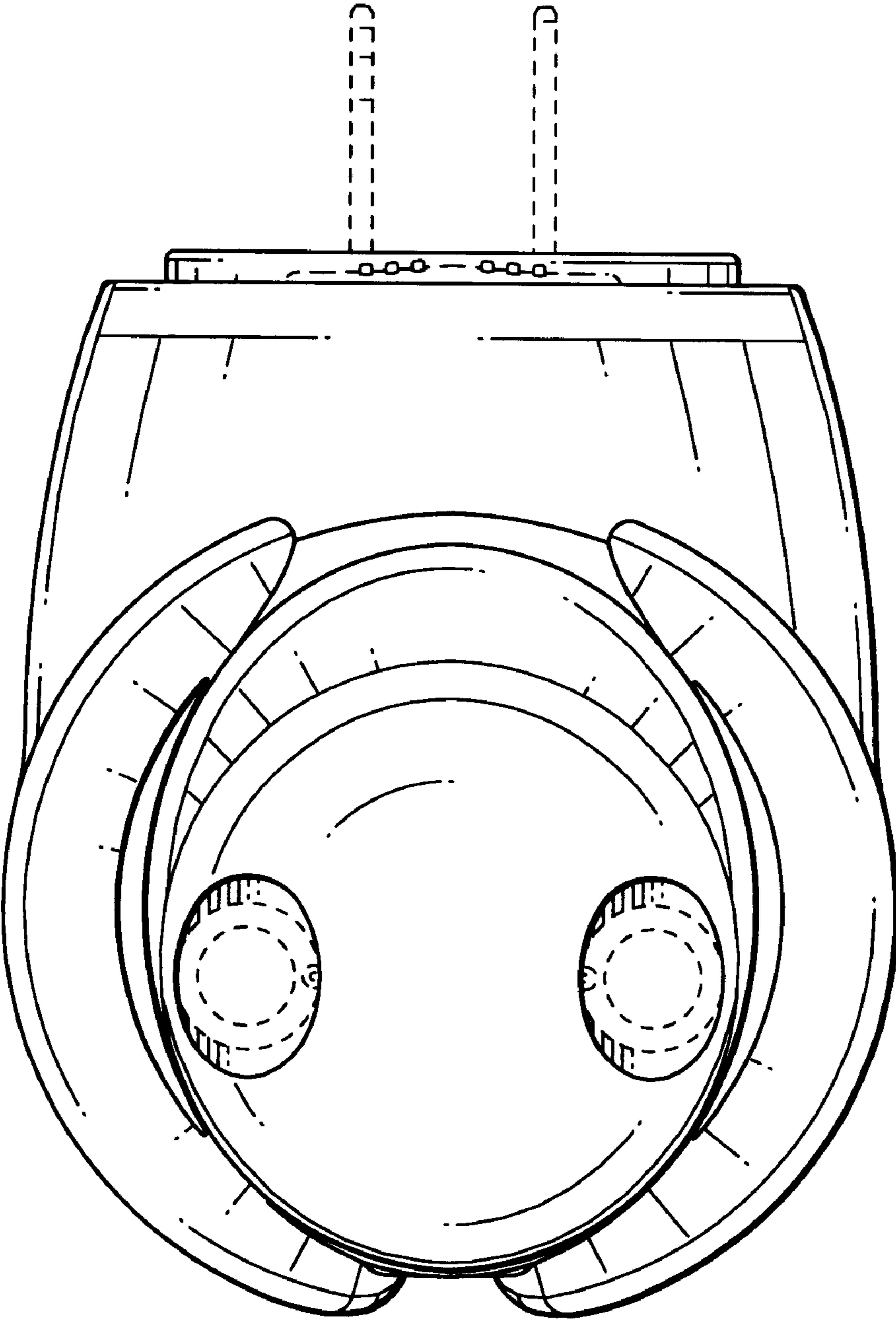


FIG. 4

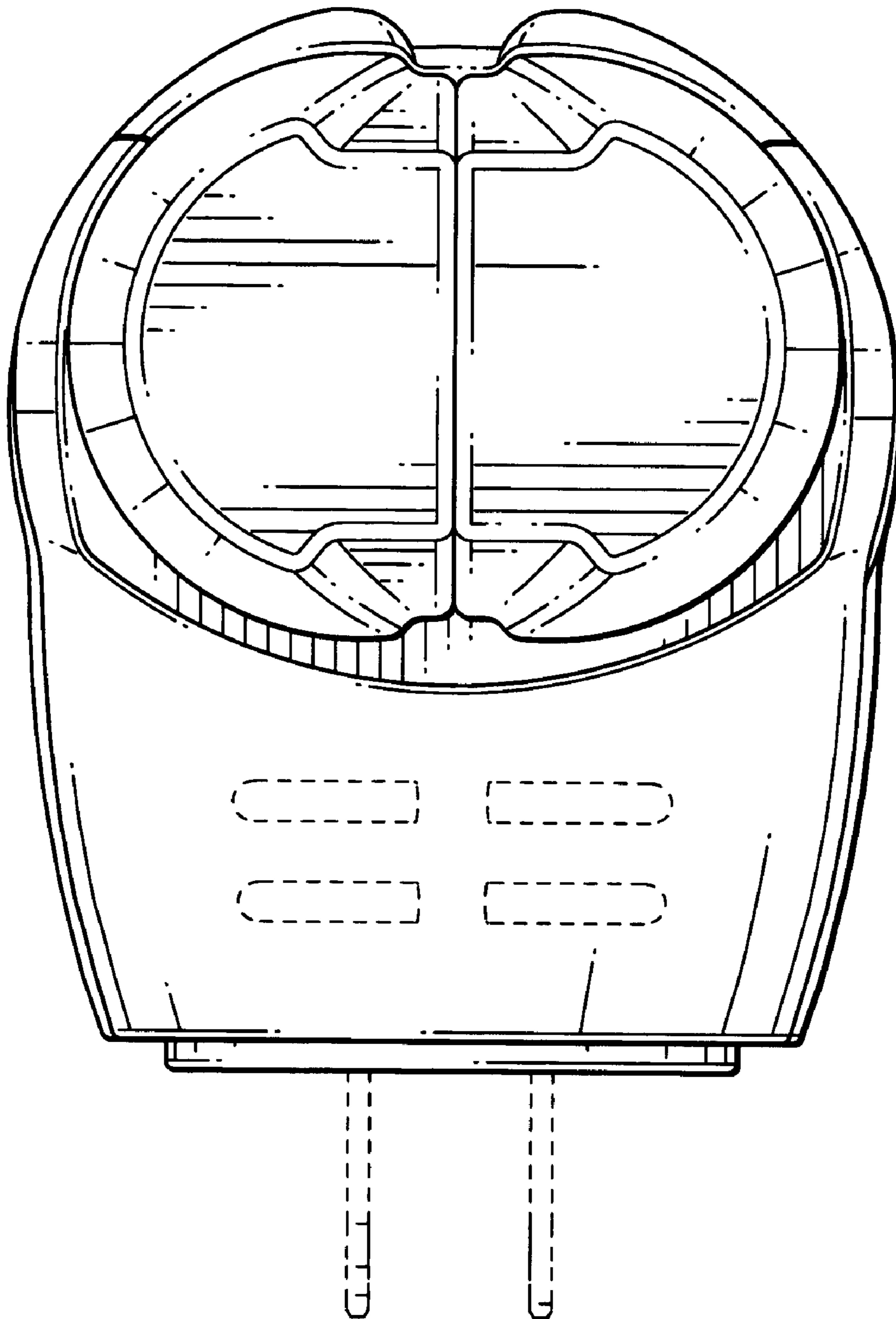


FIG. 5