



US00D533928S

(12) **United States Design Patent**
Maegawa et al.

(10) **Patent No.:** **US D533,928 S**

(45) **Date of Patent:** **** Dec. 19, 2006**

(54) **OUTDOOR WATER HEATER**

(75) Inventors: **Katsunori Maegawa**, Aichi-Ken (JP);
Tetsuya Higuchi, Aichi-Ken (JP);
Hiroaki Higashijima, Aichi-Ken (JP)

(73) Assignee: **Rinnai Corporation**, Nagoya (JP)

(**) Term: **14 Years**

(21) Appl. No.: **29/241,657**

(22) Filed: **Oct. 31, 2005**

(51) **LOC (8) Cl.** **23-03**

(52) **U.S. Cl.** **D23/318**

(58) **Field of Classification Search** D23/314,
D23/318, 319, 332; 392/362, 365-366, 373-376;
237/8 R, 8 B, 9 R, 16, 61-62, 56, 67
See application file for complete search history.

(56) **References Cited**

U.S. PATENT DOCUMENTS

D262,992 S	*	2/1982	Owen	D23/318
D311,950 S	*	11/1990	Excell	D23/319
D351,900 S	*	10/1994	Prevot	D23/318
D356,861 S	*	3/1995	Busalt	D23/318

D388,868 S	*	1/1998	Vago et al.	D23/318
D400,971 S	*	11/1998	Vago et al.	D23/318
D421,107 S	*	2/2000	Jackson et al.	D23/318
D485,893 S	*	1/2004	Du et al.	D23/318
D486,896 S	*	2/2004	Long et al.	D23/318
D486,897 S	*	2/2004	Rolph et al.	D23/319

* cited by examiner

Primary Examiner—Brian N Vinson

(74) *Attorney, Agent, or Firm*—Birch, Stewart, Kolasch & Birch, LLP

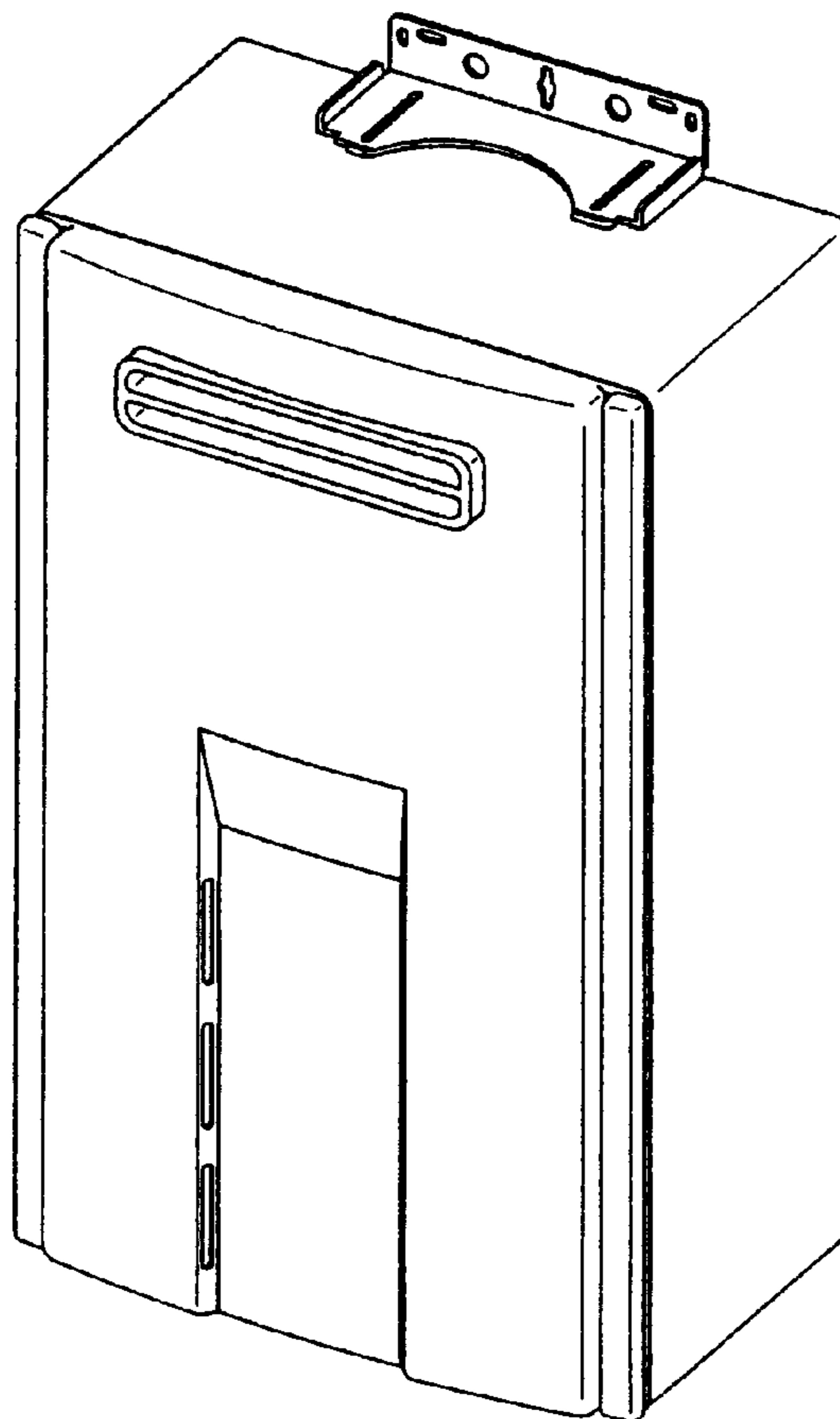
(57) **CLAIM**

The ornamental design for an outdoor water heater, as shown and described.

DESCRIPTION

FIG. 1 is a perspective view of an outdoor water heater showing our new design;
FIG. 2 is front elevational view thereof;
FIG. 3 is rear elevational view thereof;
FIG. 4 is a right side elevational view thereof;
FIG. 5 is a left side elevational view thereof;
FIG. 6 is a top plan view thereof; and,
FIG. 7 is a bottom view thereof.

1 Claim, 4 Drawing Sheets



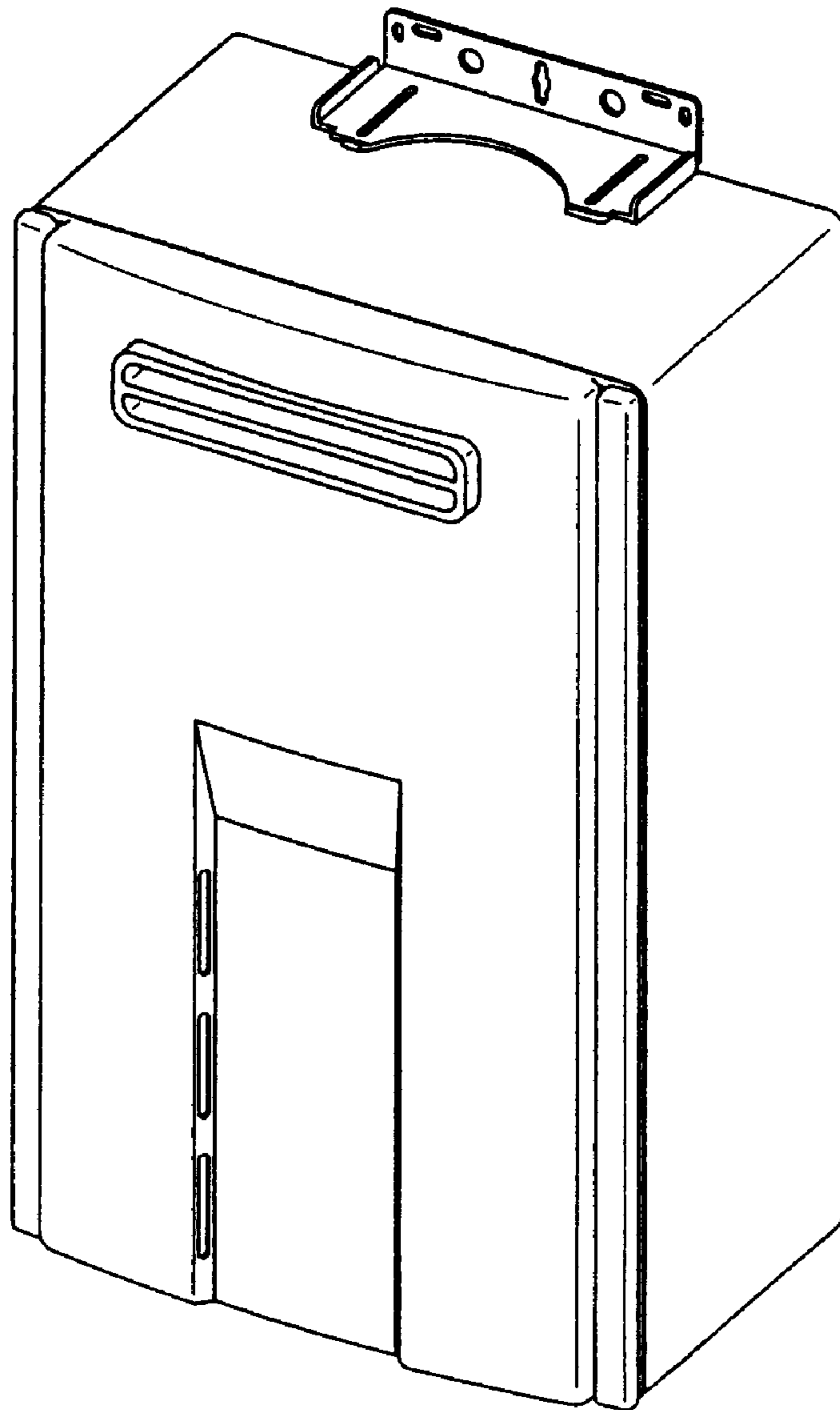


FIG. 1

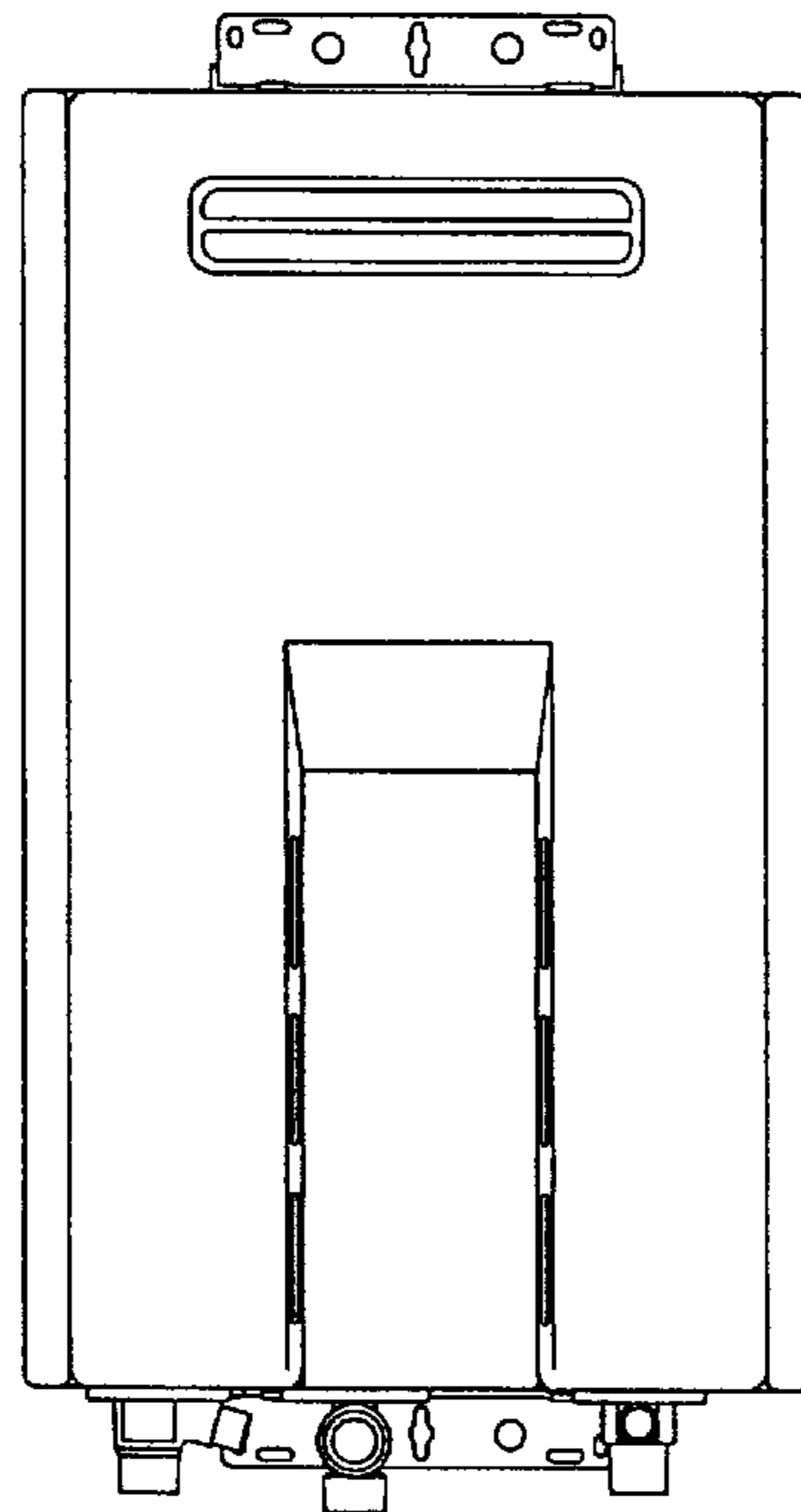


FIG. 2

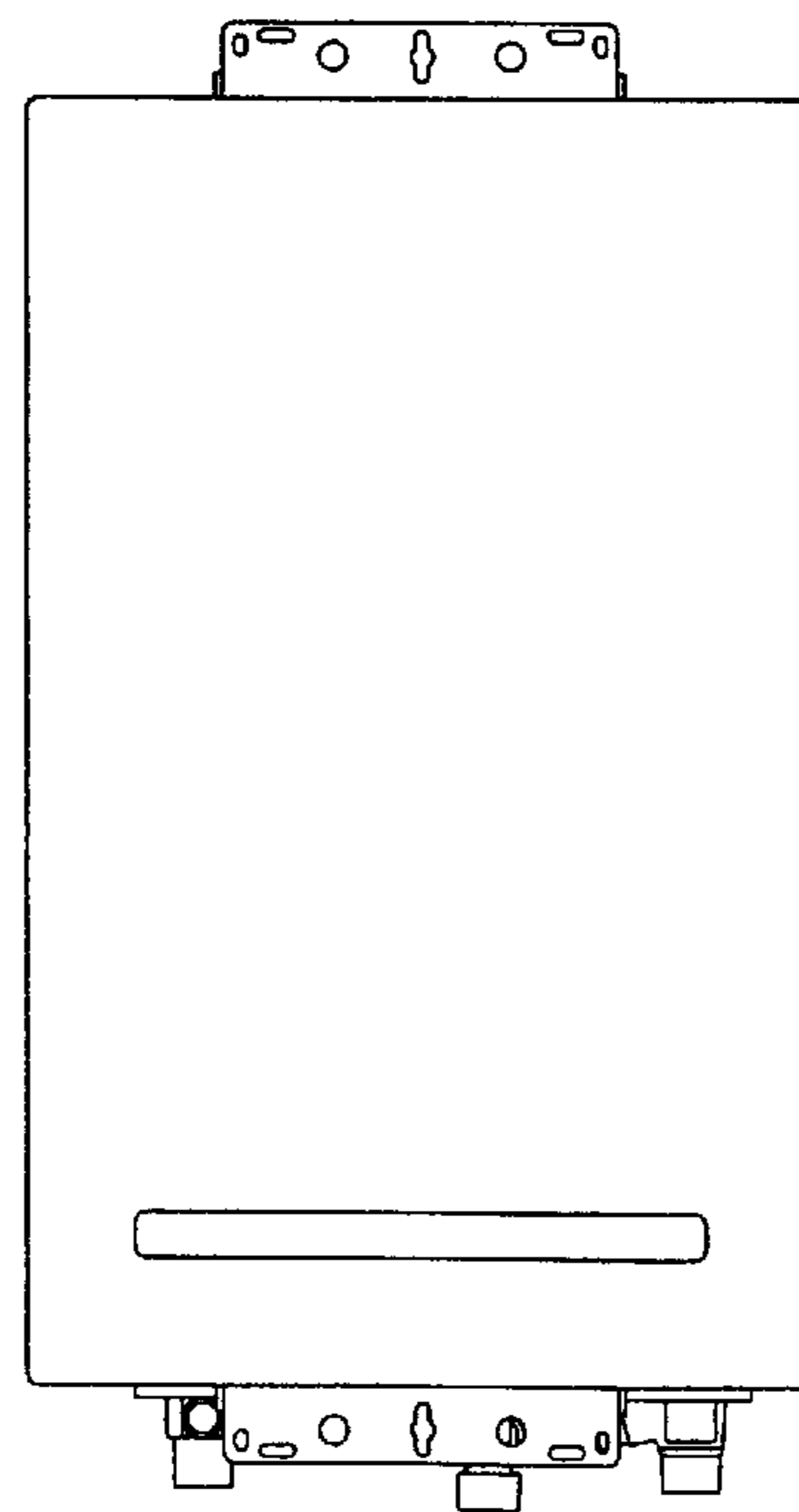


FIG. 3

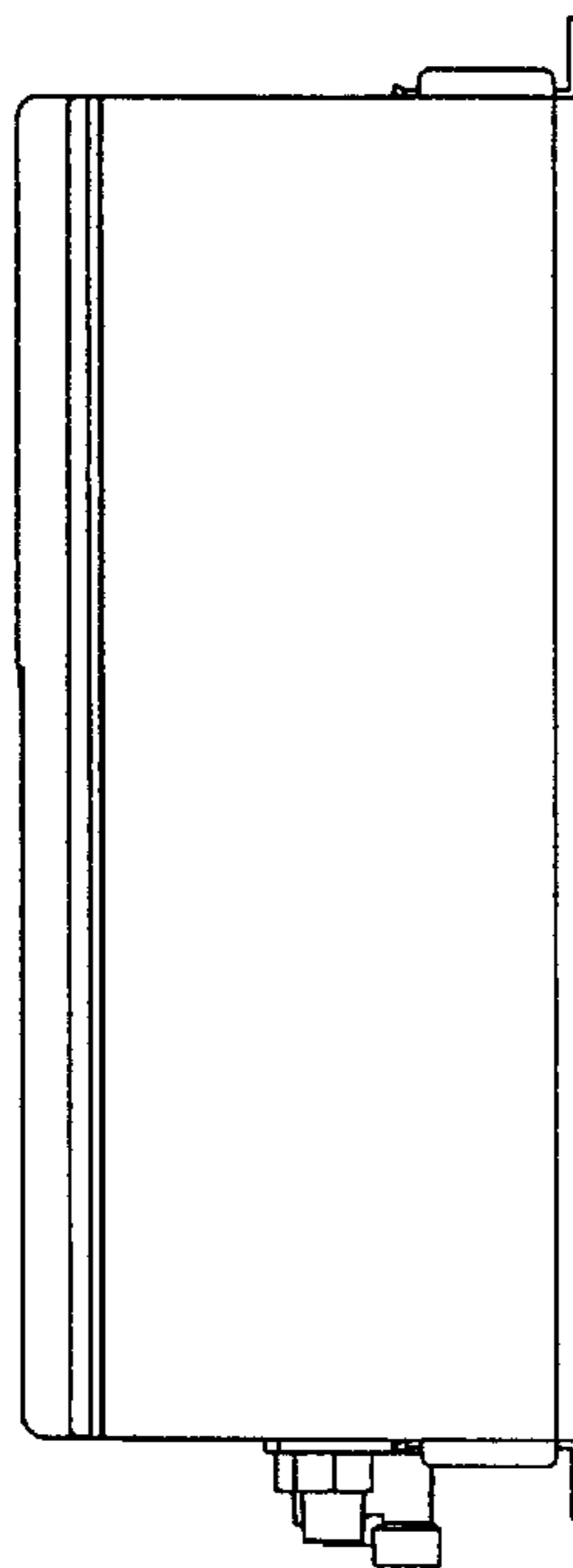


FIG. 4

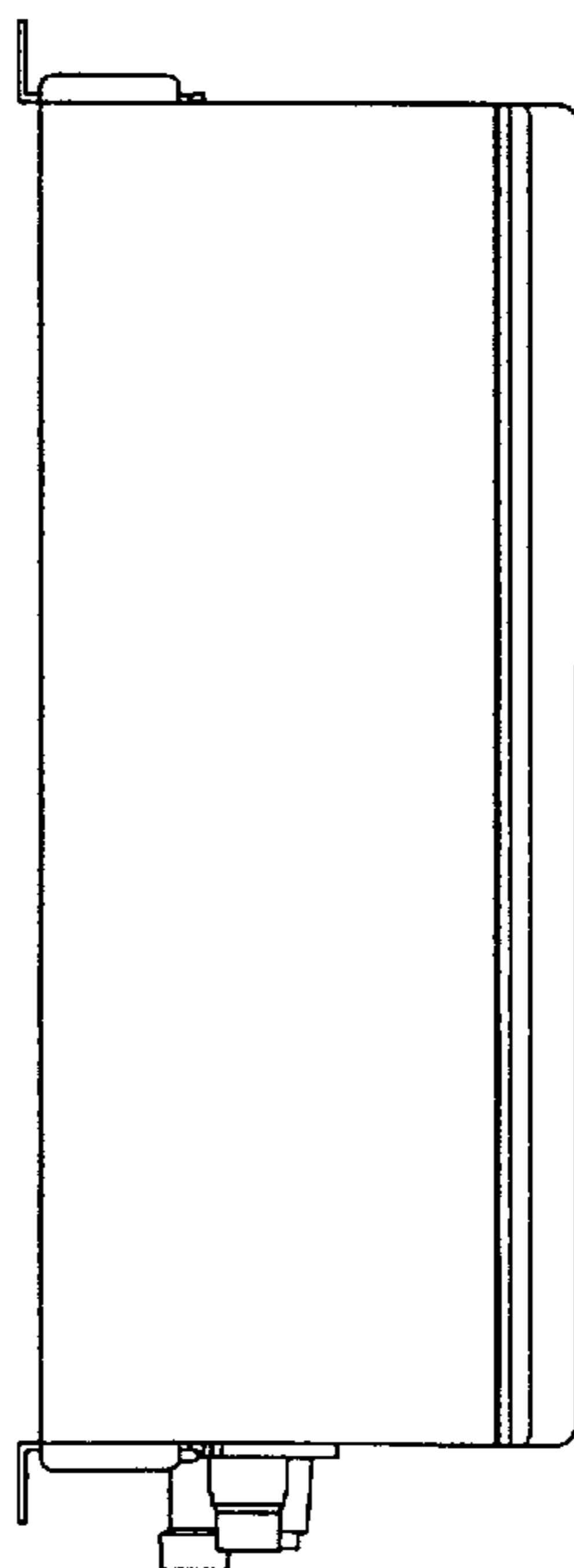


FIG. 5

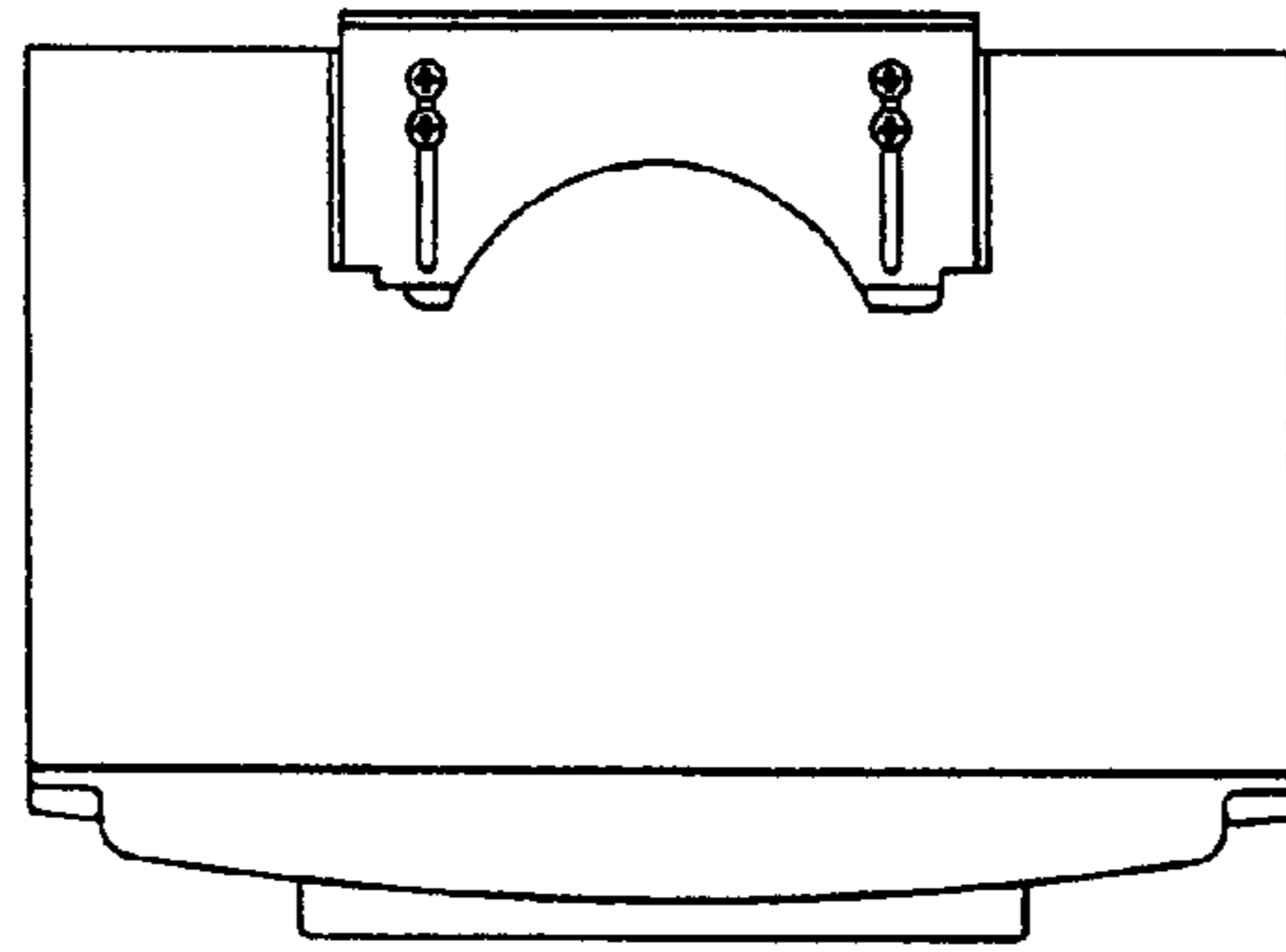


FIG. 6

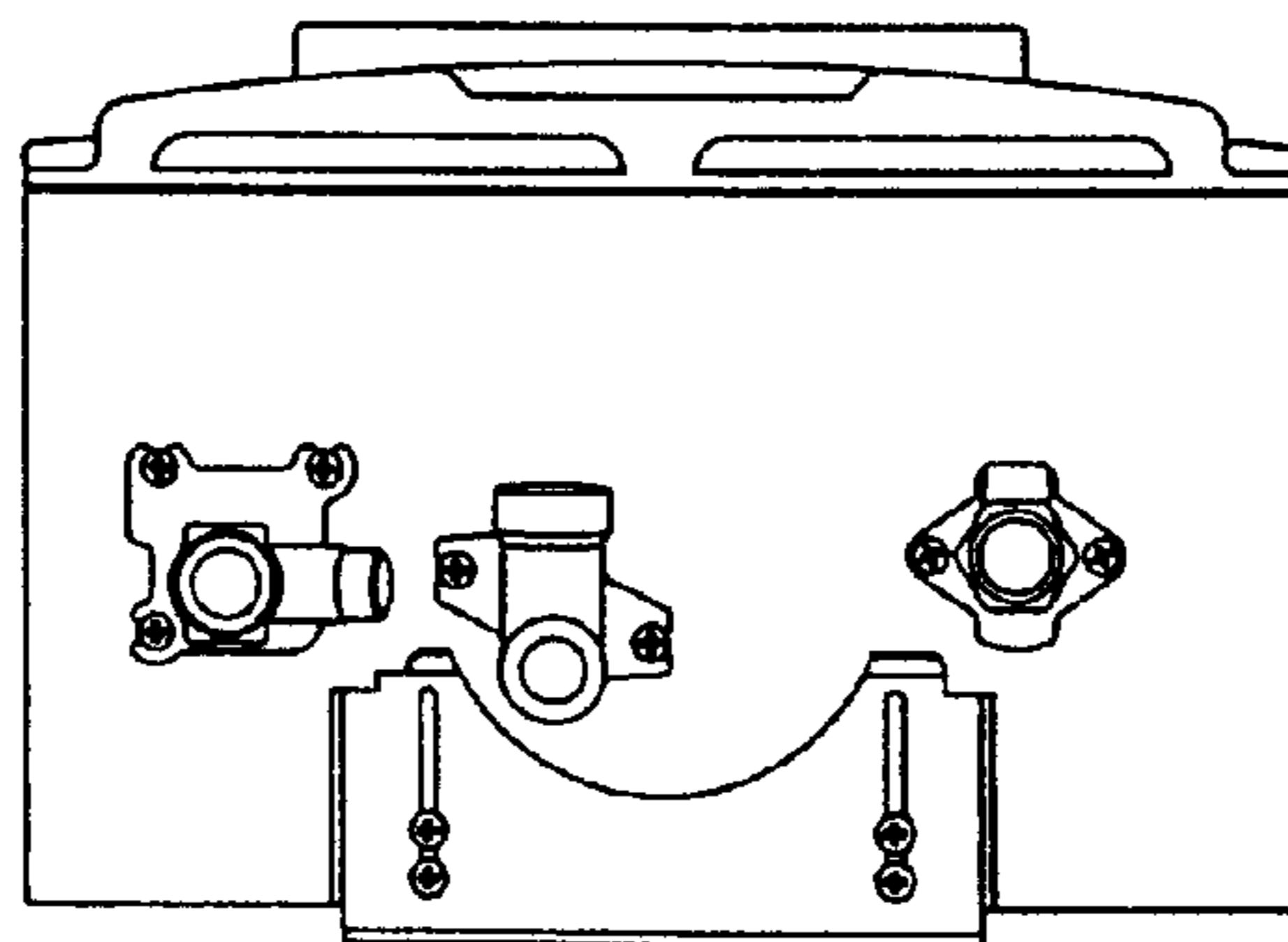


FIG. 7