



US00D533927S

(12) **United States Design Patent**
Kakihana

(10) **Patent No.:** **US D533,927 S**

(45) **Date of Patent:** **** Dec. 19, 2006**

(54) **WATER CLOSET**

(75) Inventor: **Hajime Kakihana**, Kitakyushu (JP)

(73) Assignee: **Toto Ltd.**, Kitakyushu (JP)

(**) Term: **14 Years**

(21) Appl. No.: **29/229,205**

(22) Filed: **May 5, 2005**

(51) **LOC (8) Cl.** **23-02**

(52) **U.S. Cl.** **D23/301**

(58) **Field of Classification Search** D23/273-274,
D23/295-301, 303, 309, 313; 4/663-665,
4/300-300.3, 312-313, 328-329, 353, 420,
4/443-446, 449, 459-460, 479-480, 902,
4/905, DIG. 11, DIG. 12, DIG. 15

See application file for complete search history.

(56) **References Cited**

U.S. PATENT DOCUMENTS

D507,336 S * 7/2005 Takou D23/301

D514,673 S * 2/2006 Lanius D23/313

D515,185 S * 2/2006 Daikubara D23/301

D520,614 S * 5/2006 Tani D23/301

* cited by examiner

Primary Examiner—Robert A. Delehanty

(74) *Attorney, Agent, or Firm*—Birch, Stewart, Kolasch & Birch, LLP

(57) **CLAIM**

The ornamental design for a water closet, as shown and described.

DESCRIPTION

FIG. 1 is a perspective view of the top, front and right side of a water closet showing my new design;

FIG. 2 is a front view thereof;

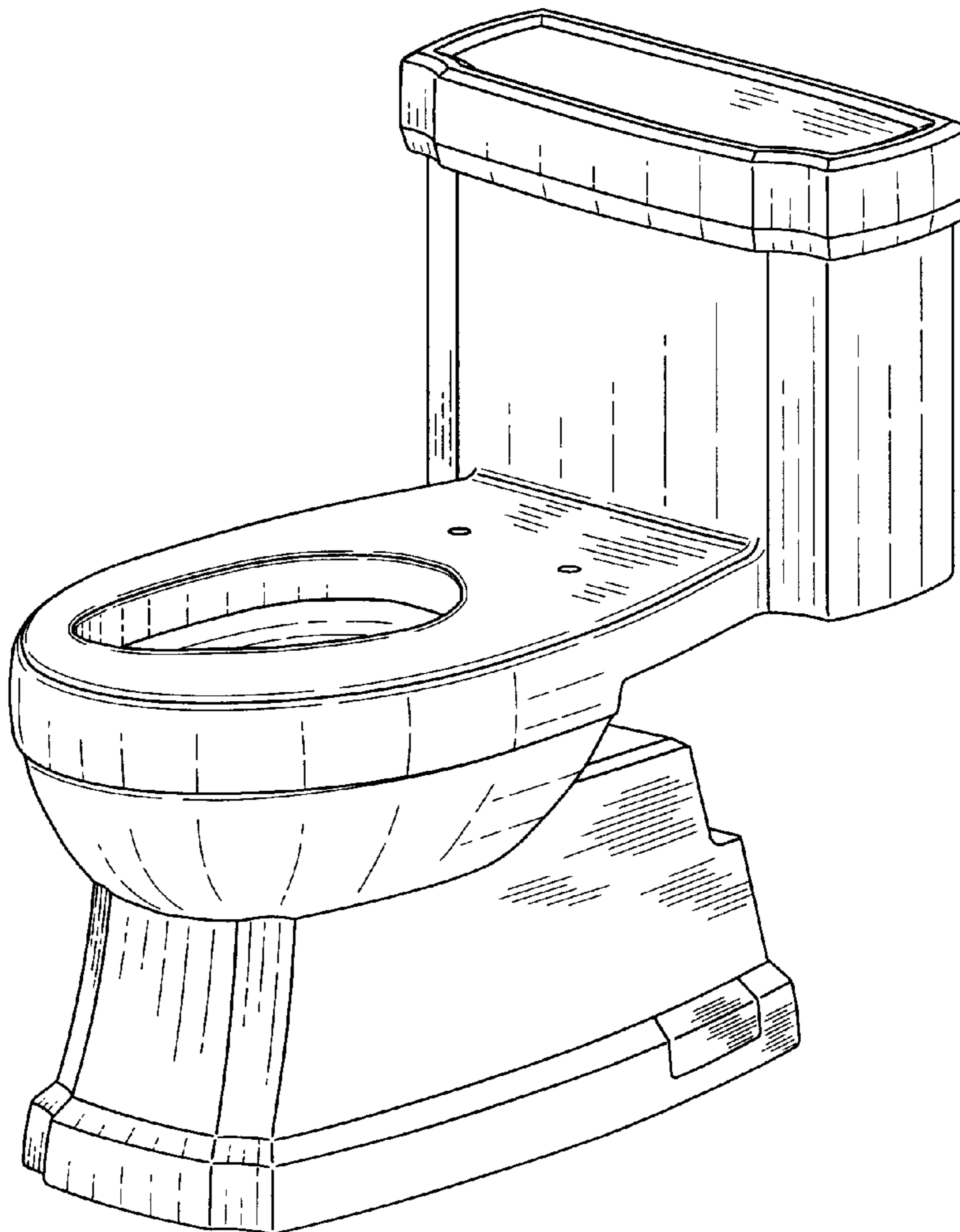
FIG. 3 is a right side view thereof;

FIG. 4 is a left side view thereof;

FIG. 5 is a top plan view thereof; and,

FIG. 6 is a bottom view thereof.

1 Claim, 6 Drawing Sheets



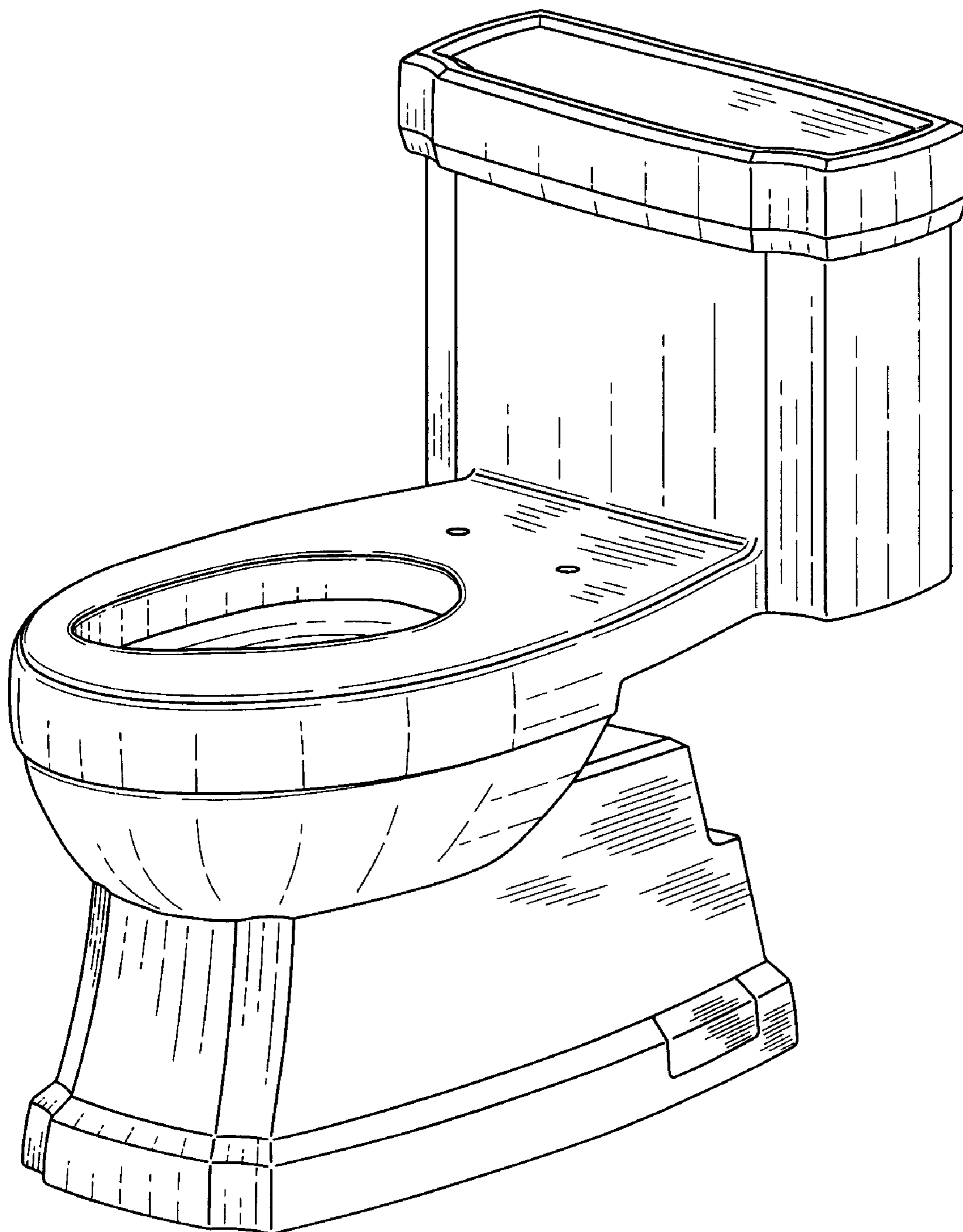


FIG. 1

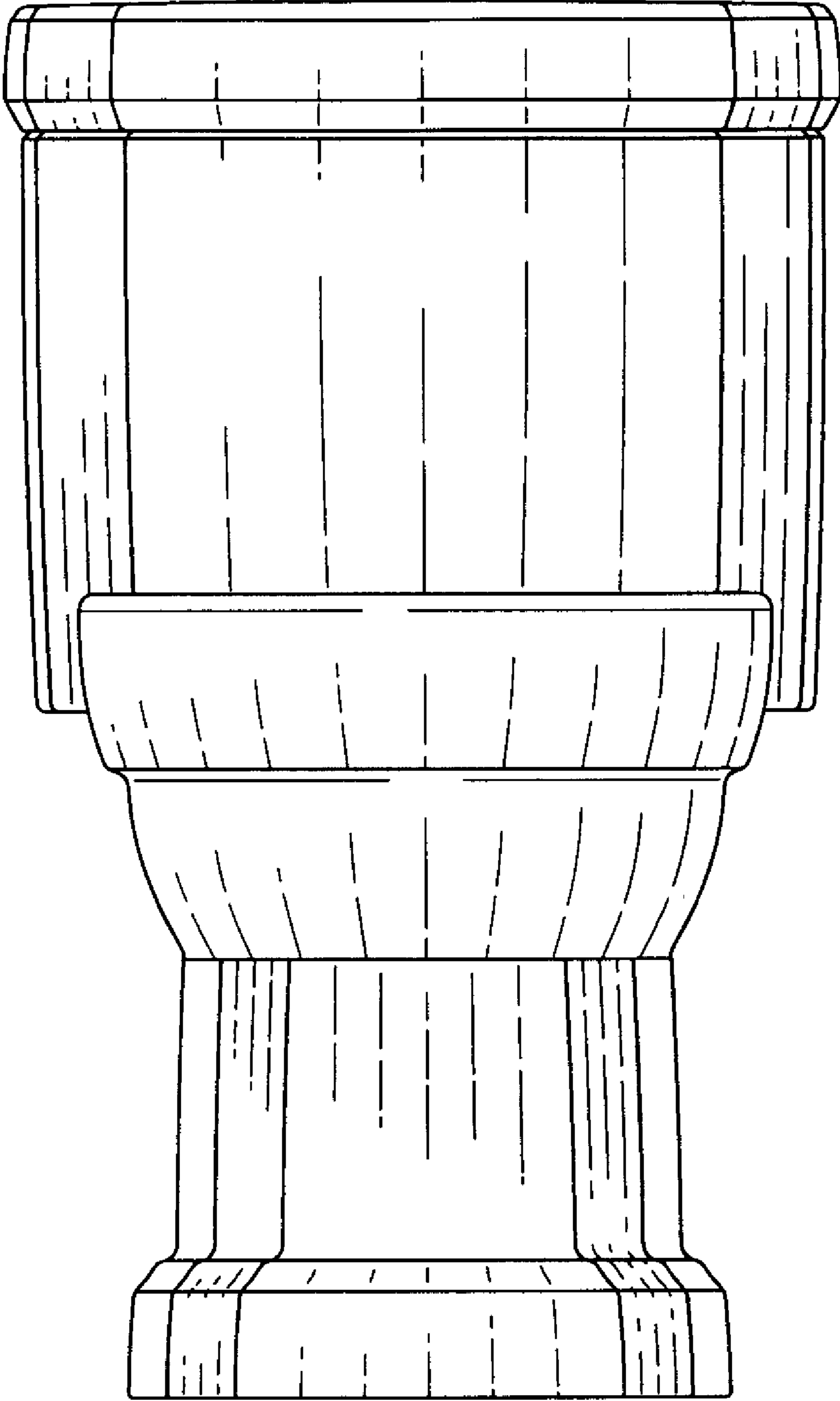


FIG. 2

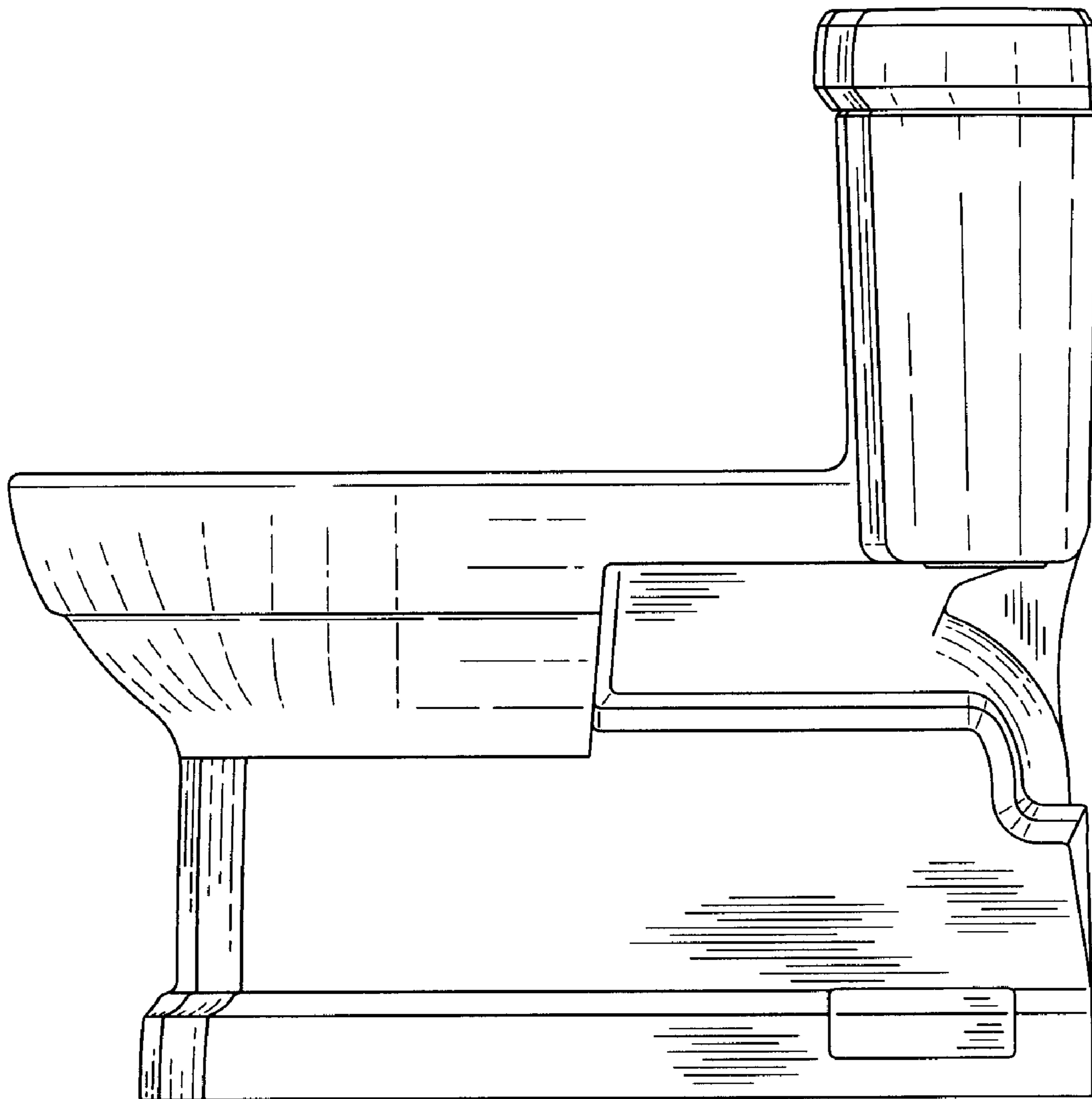


FIG. 3

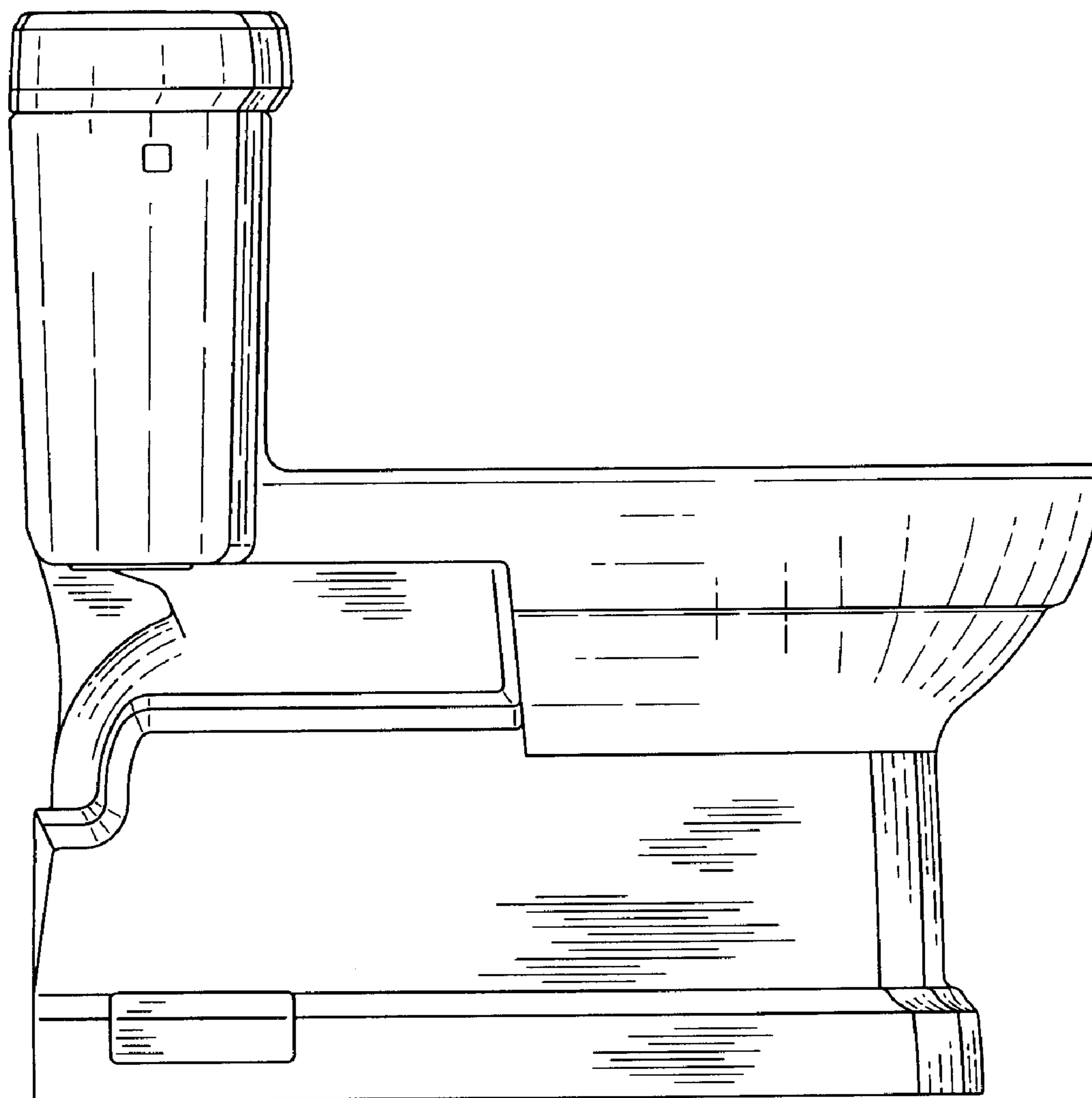


FIG. 4

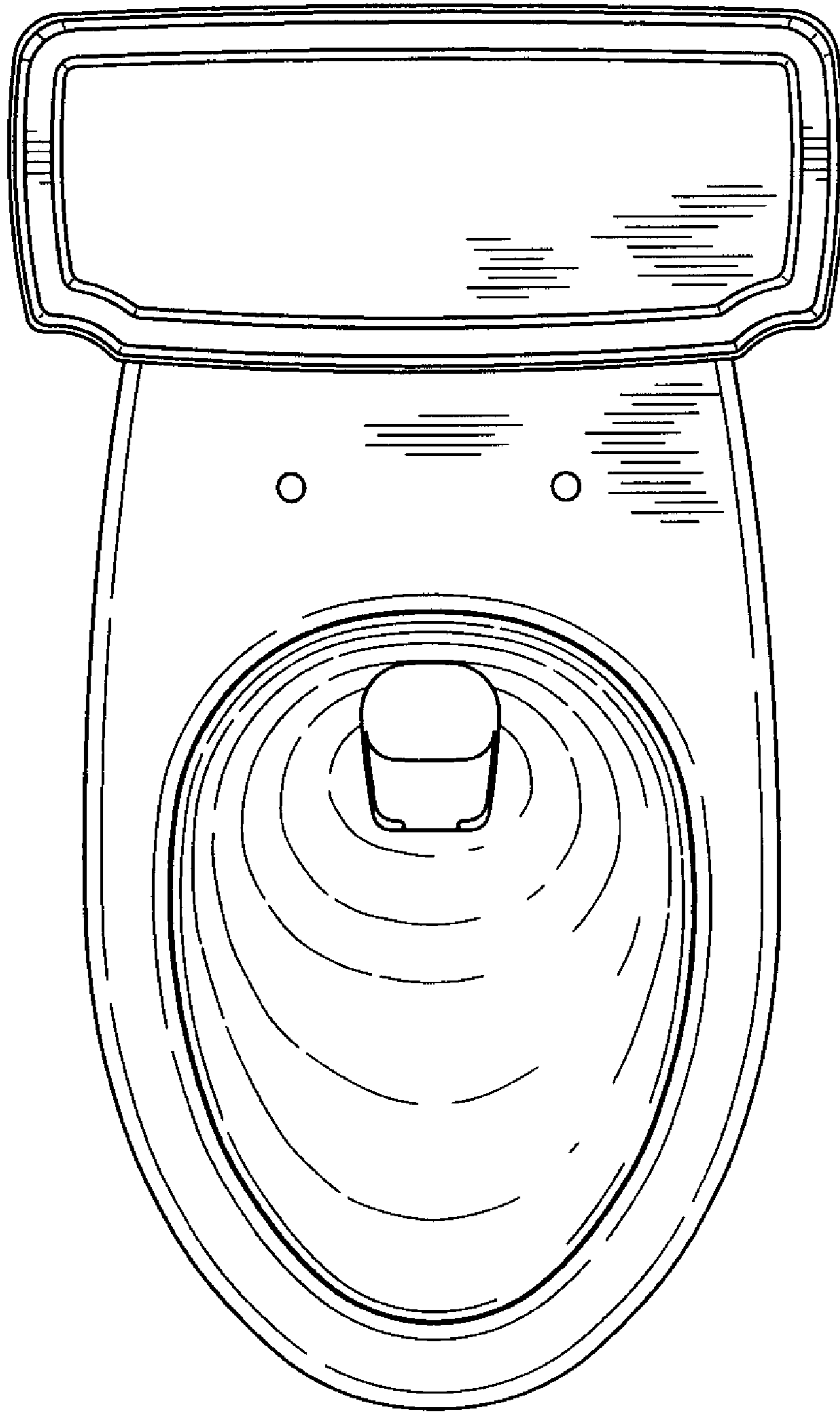


FIG. 5

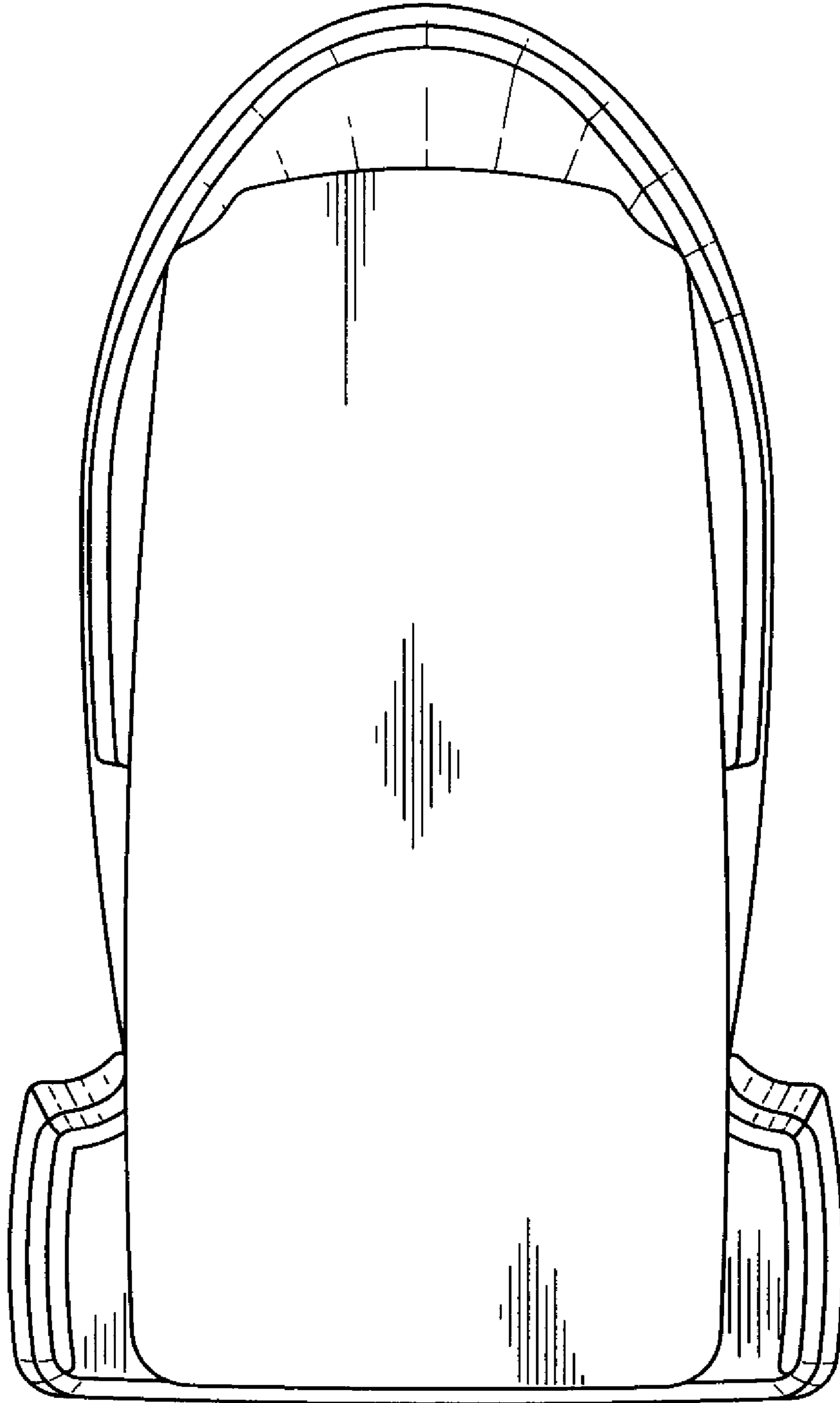


FIG. 6