



US00D533923S

(12) **United States Design Patent**
Grether

(10) **Patent No.:** **US D533,923 S**

(45) **Date of Patent:** **** Dec. 19, 2006**

(54) **FLOW REGULATOR**

(75) Inventor: **Hermann Grether**, Müllheim (DE)

(73) Assignee: **Neoperl GmbH**, Mullheim (DE)

(**) Term: **14 Years**

(21) Appl. No.: **29/224,543**

(22) Filed: **Mar. 3, 2005**

(30) **Foreign Application Priority Data**

Sep. 3, 2004 (EP) 000223235

(51) **LOC (8) Cl.** **23-01**

(52) **U.S. Cl.** **D23/249**

(58) **Field of Classification Search** D23/233-249,
D23/213, 255, 257, 241, 242, 260; 138/41,
138/42, 37, 40; 239/428.5, 552, 553.5, 553.3;
261/DIG. 22

See application file for complete search history.

(56) **References Cited**

U.S. PATENT DOCUMENTS

2,793,016 A * 5/1957 Aghnides 239/391
4,313,564 A * 2/1982 Shames et al. 239/110
5,467,929 A * 11/1995 Bosio 239/428.5
D428,114 S * 7/2000 Le Bars D23/233

6,126,093 A * 10/2000 Grether et al. 239/428.5
6,152,182 A * 11/2000 Grether et al. 138/42
6,892,964 B1 * 5/2005 Grether et al. 239/428.5
6,902,123 B1 * 6/2005 Grether et al. 239/428.5
D516,182 S * 2/2006 Buttgen D23/249
2006/0011748 A1 * 1/2006 Ferrari 239/428.5

* cited by examiner

Primary Examiner—Ian Simmons

Assistant Examiner—Maurice Stevens

(74) *Attorney, Agent, or Firm*—Volpe and Koenig, P.C.

(57) **CLAIM**

The ornamental design for a flow regulator, as shown and described.

DESCRIPTION

FIG. 1 is a top perspective view of a flow regulator showing my new design;

FIG. 2 is an elevational view thereof;

FIG. 3 is a top plan view thereof;

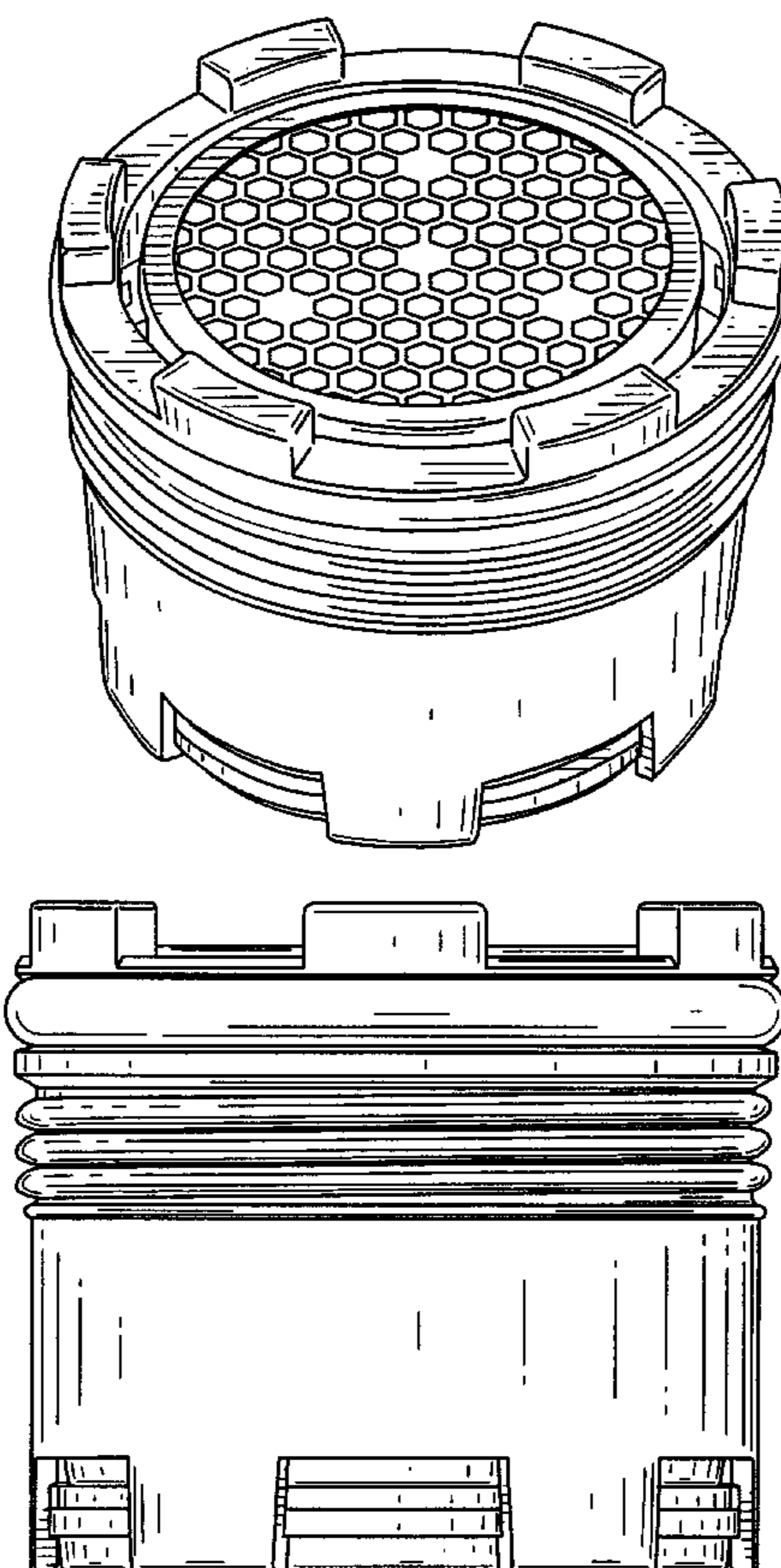
FIG. 4 is a bottom plan view thereof, wherein the dashed line is showing of environmental matter for illustrative purposes only and not forming part of the claimed design;

FIG. 5 is a top perspective view thereof;

FIG. 6 is an elevational view thereof; and,

FIG. 7 is a top plan view thereof.

1 Claim, 5 Drawing Sheets



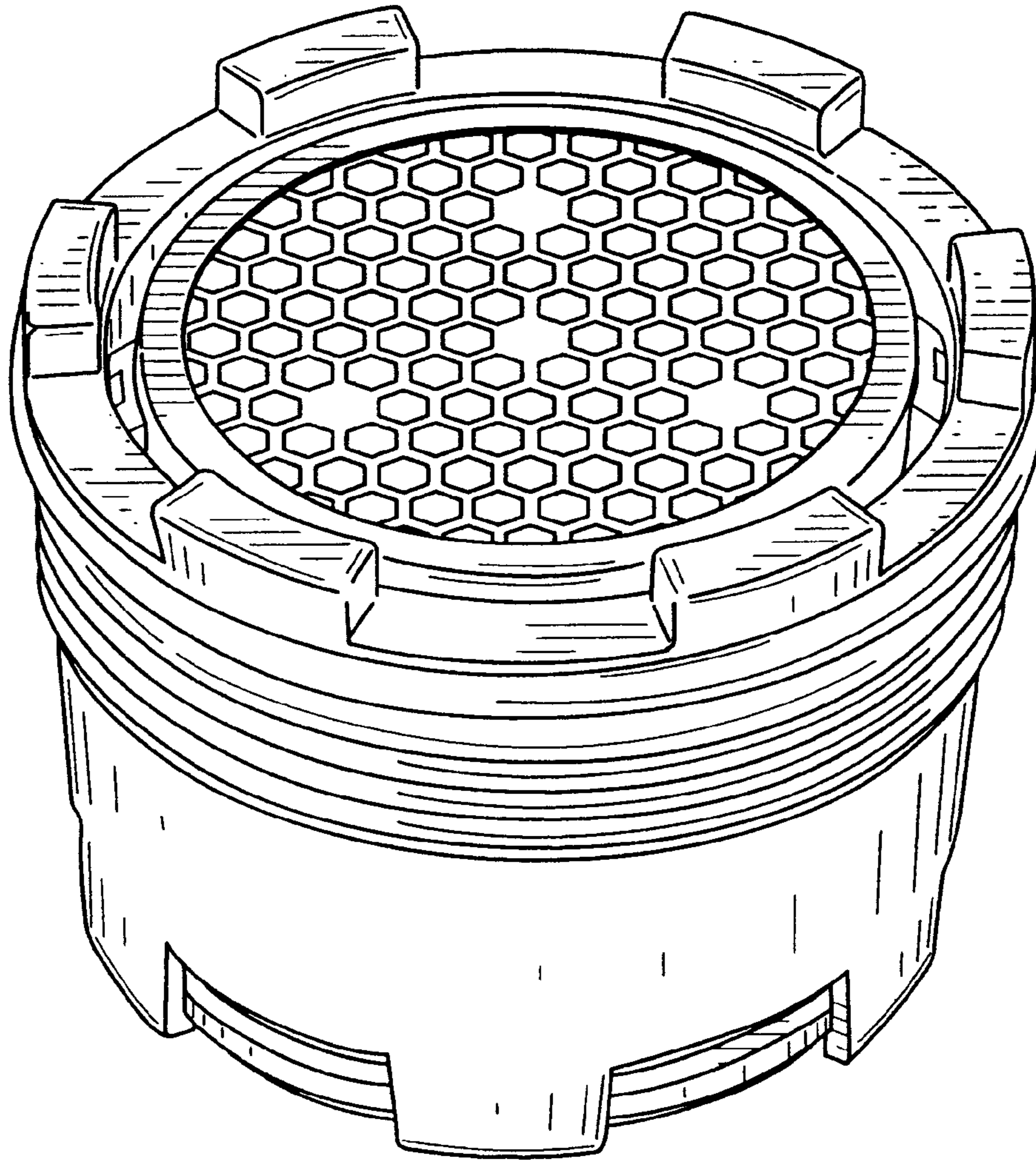


FIG. 1

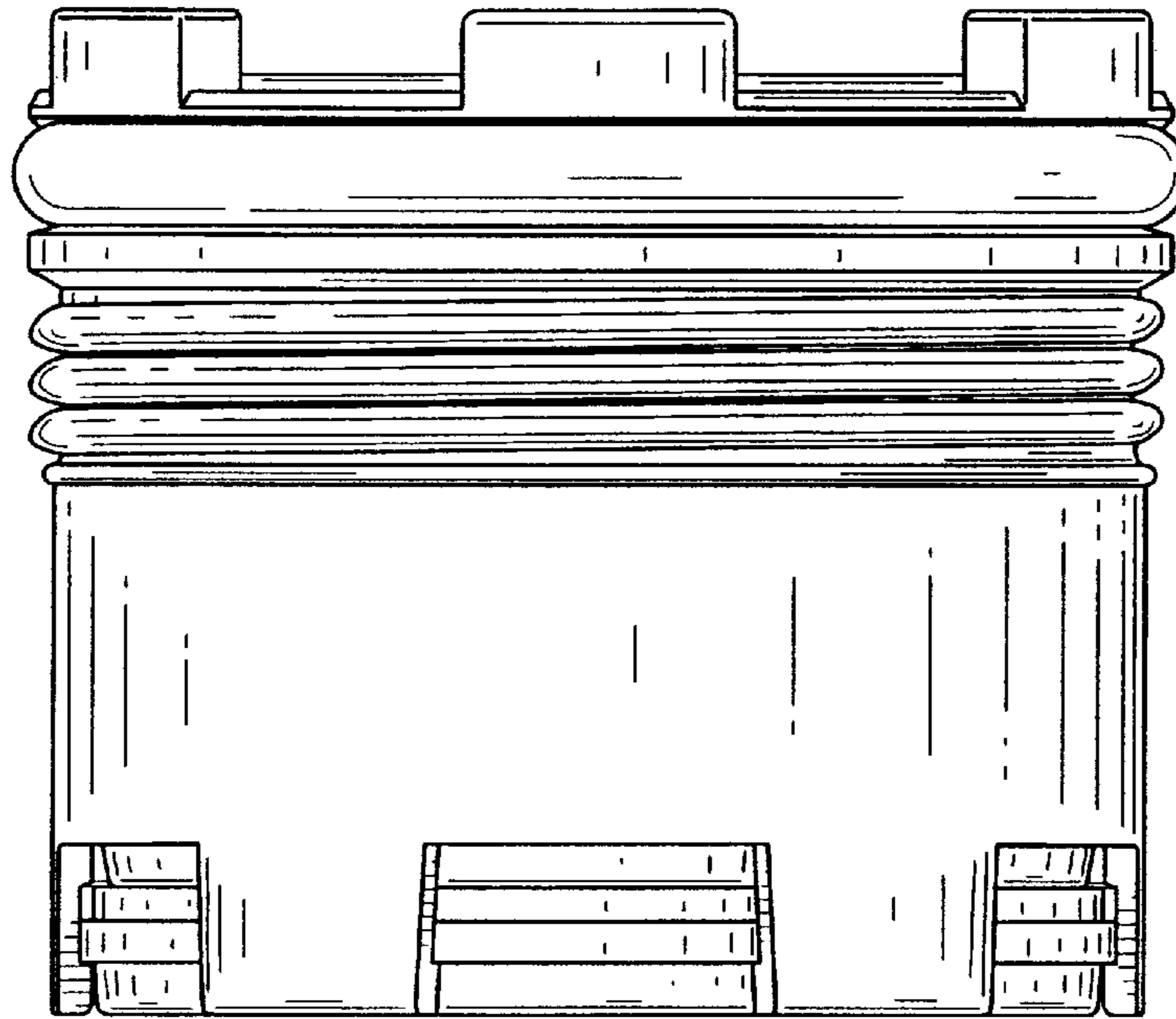


FIG. 2

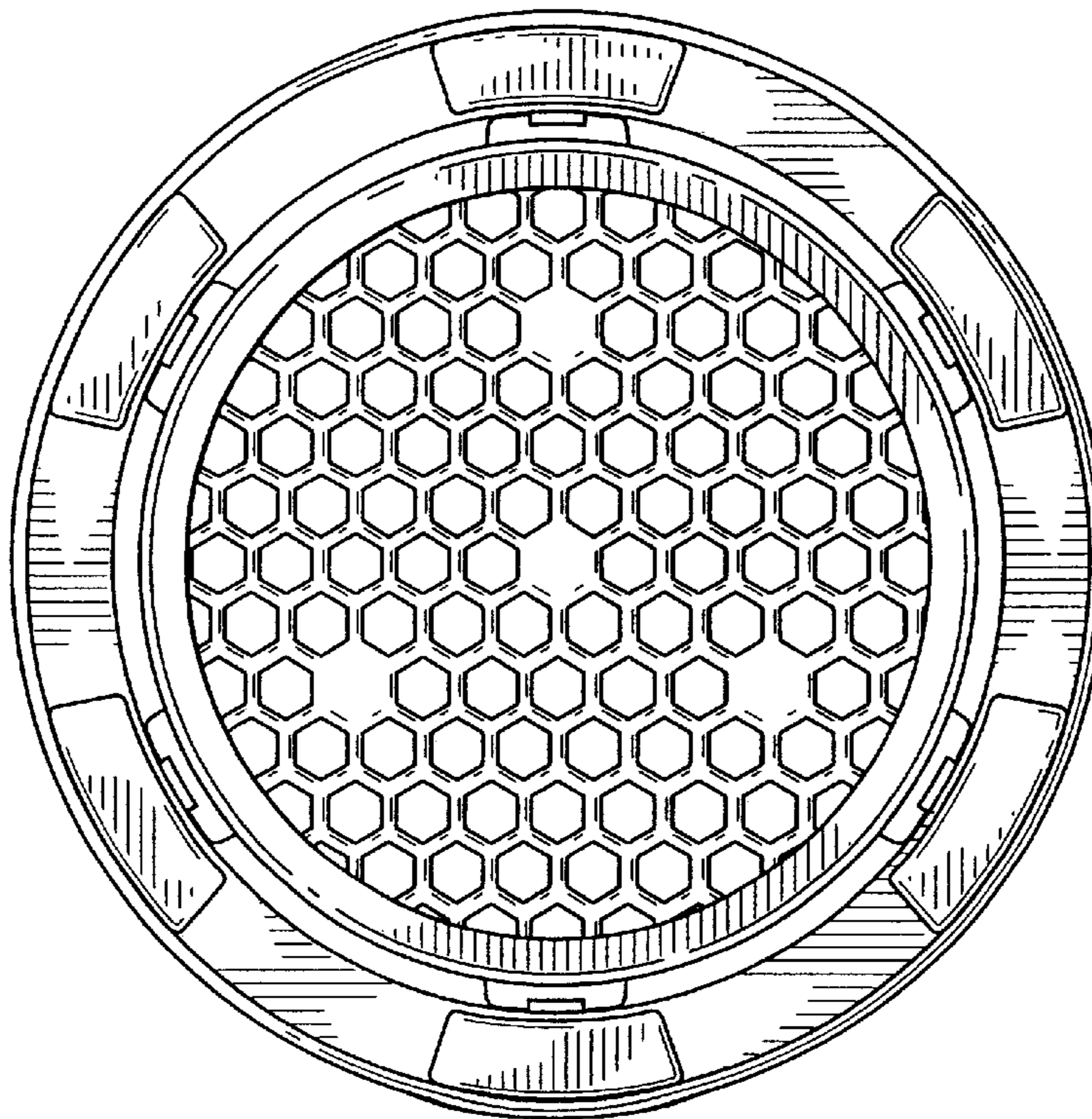


FIG. 3

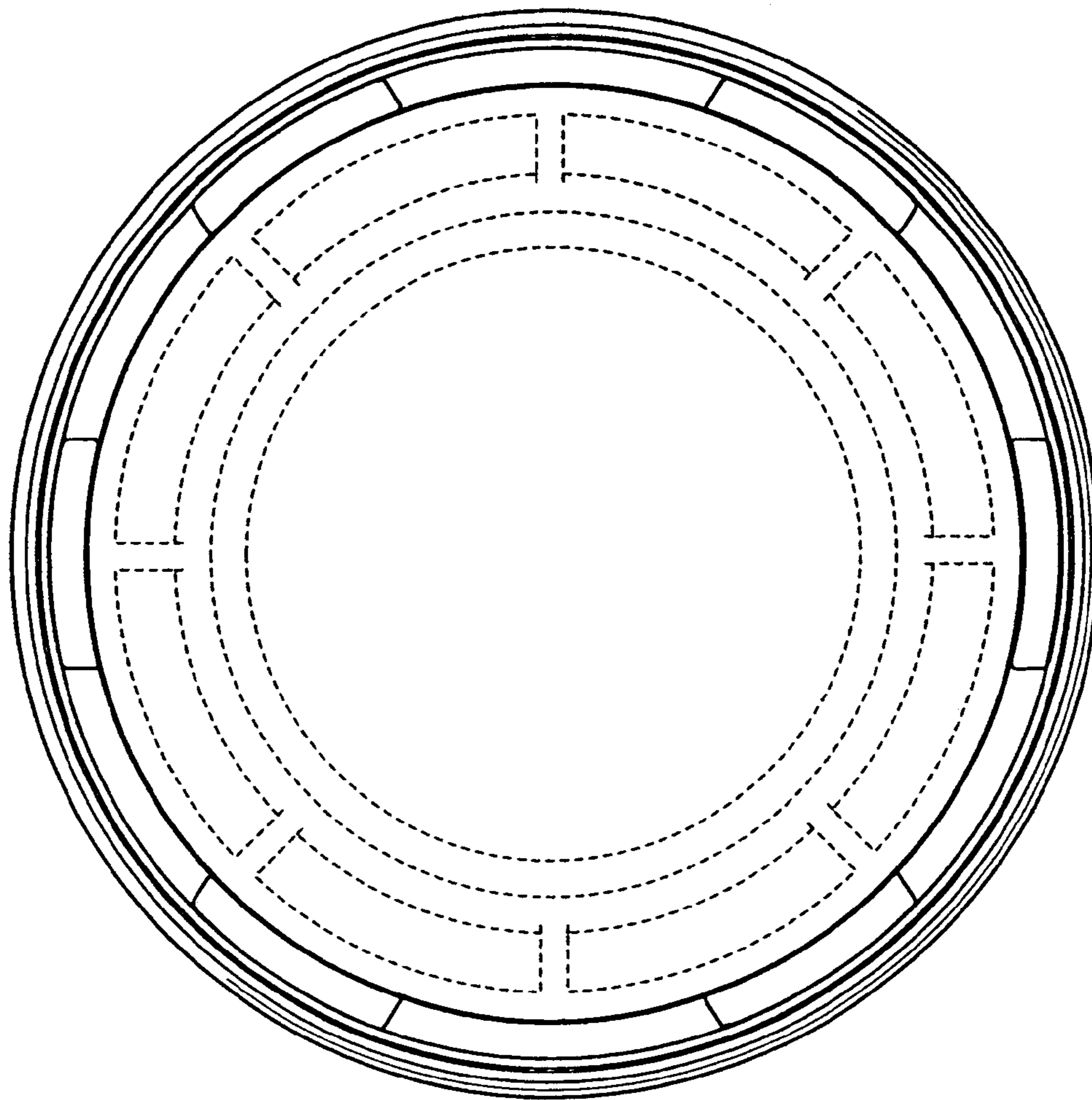


FIG. 4

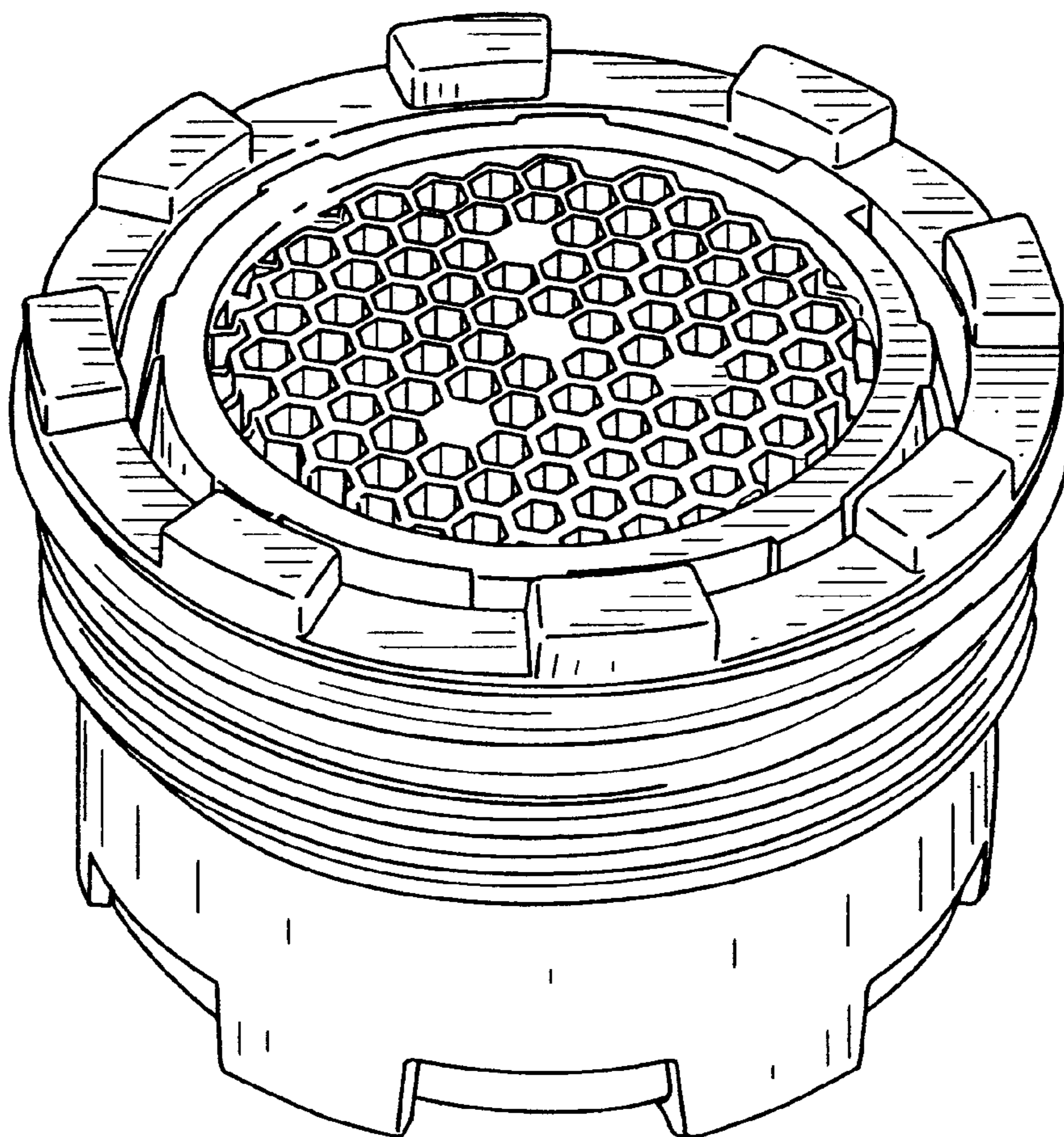


FIG. 5

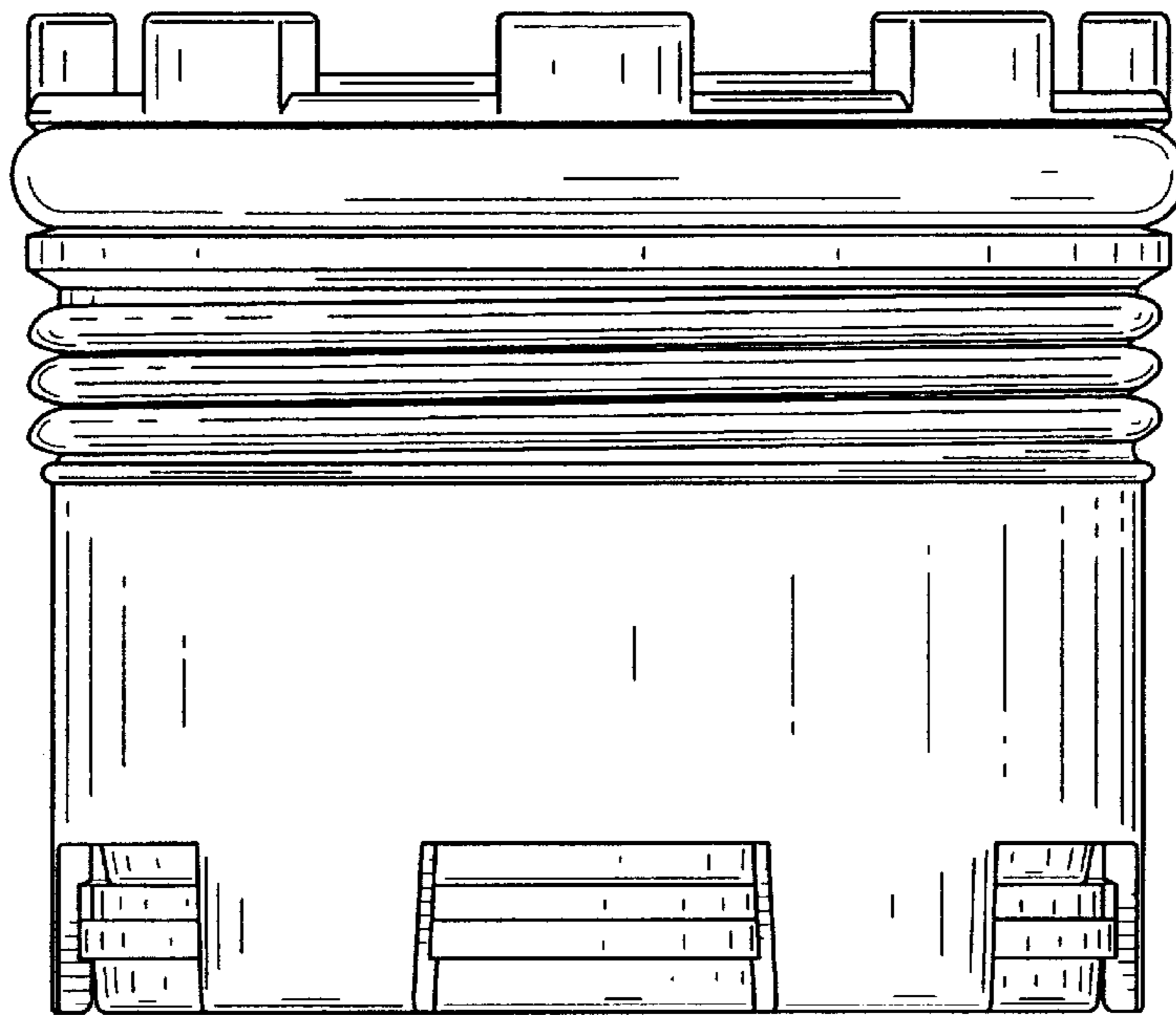


FIG. 6

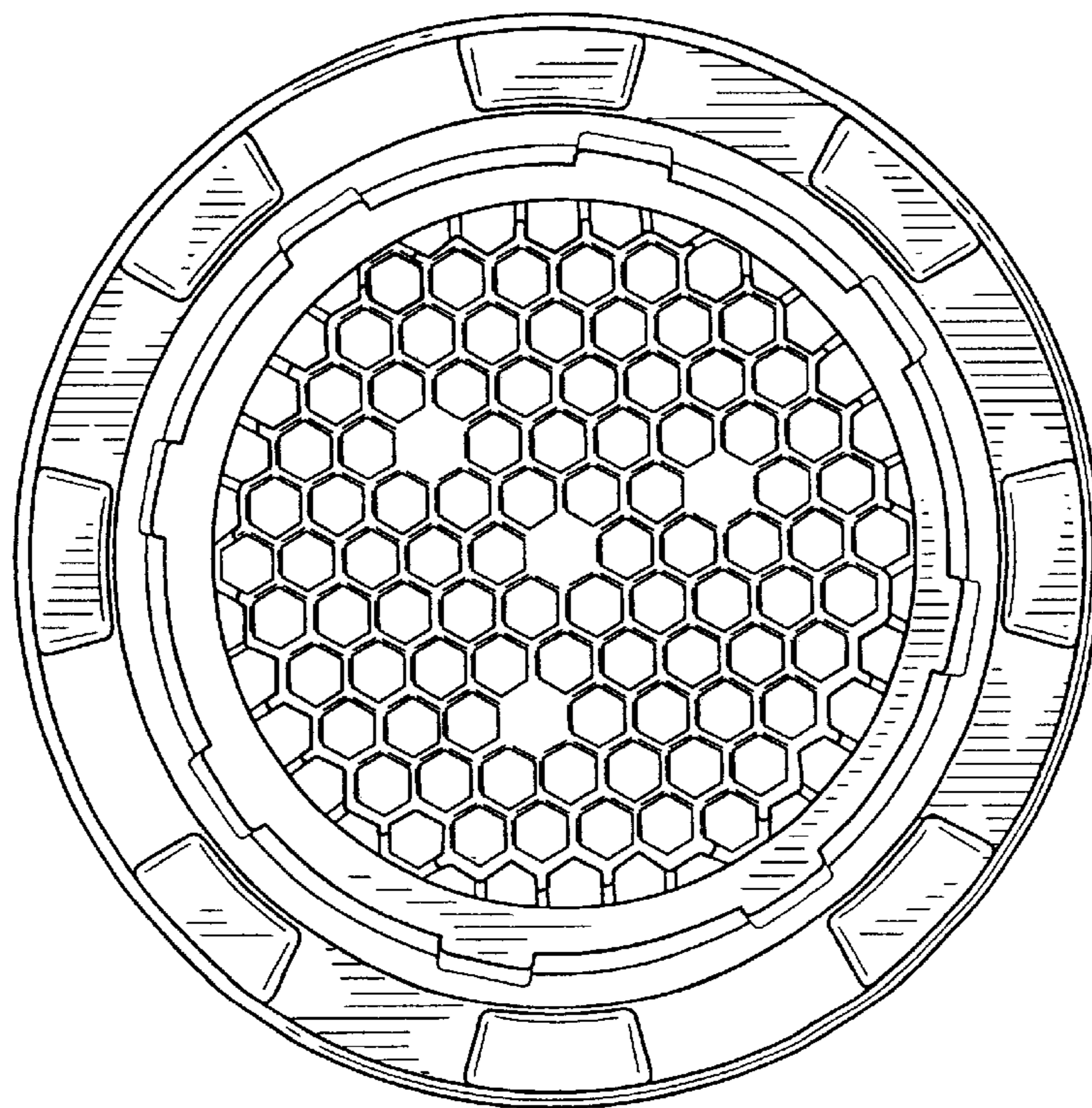


FIG. 7