



US00D533922S

(12) **United States Design Patent**
Miao

(10) **Patent No.:** **US D533,922 S**

(45) **Date of Patent:** **** Dec. 19, 2006**

(54) **SPOUT**

(75) Inventor: **Carlos Miao**, Taichung (TW)

(73) Assignee: **Globe Union Industrial Corp.**,
Taichung (TW)

(**) Term: **14 Years**

(21) Appl. No.: **29/257,668**

(22) Filed: **Apr. 10, 2006**

(51) **LOC (8) Cl.** **23-01**

(52) **U.S. Cl.** **D23/238; D23/255**

(58) **Field of Classification Search** **D23/238-257;**
4/675-678; 137/801

See application file for complete search history.

(56) **References Cited**

U.S. PATENT DOCUMENTS

D287,747 S * 1/1987 Miller et al. D23/255

D487,924 S * 3/2004 Lin D23/255

D488,541 S * 4/2004 Lin D23/255

D511,813 S * 11/2005 Ouyoung D23/238

D515,179 S * 2/2006 Kennard D23/238

D519,616 S * 4/2006 Fritz D23/255

* cited by examiner

Primary Examiner—Louis S. Zarfaz

Assistant Examiner—Gregory Andoll

(74) *Attorney, Agent, or Firm*—Leong C. Lei

(57) **CLAIM**

The ornamental design for a spout, as shown and described.

DESCRIPTION

FIG. 1 is a perspective view of a spout showing my new design;

FIG. 2 is a front elevational view thereof;

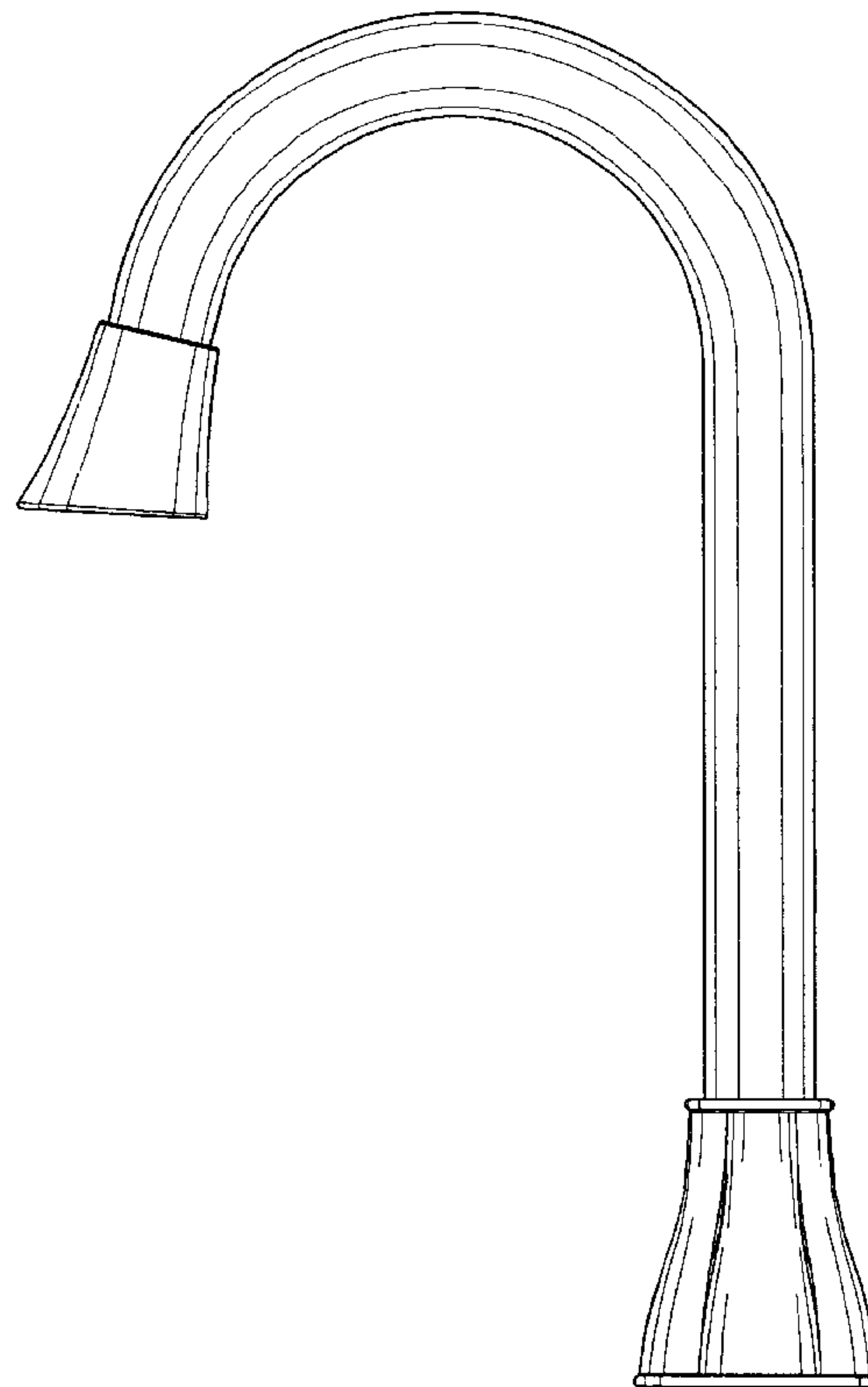
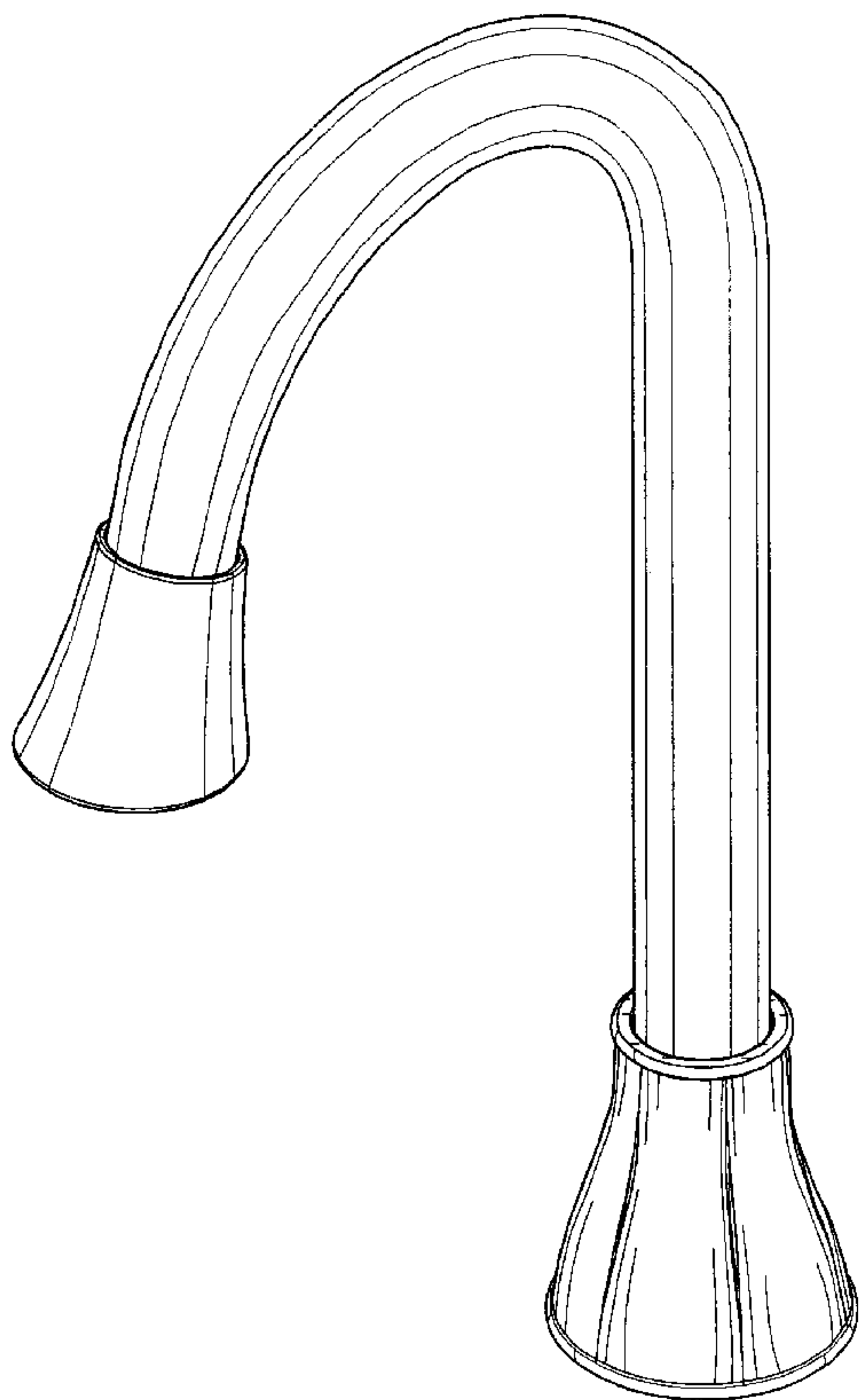
FIG. 3 is a rear elevational view thereof;

FIG. 4 is a left side elevational view thereof;

FIG. 5 is a right side elevational view thereof; and,

FIG. 6 is a top plan view thereof.

1 Claim, 6 Drawing Sheets



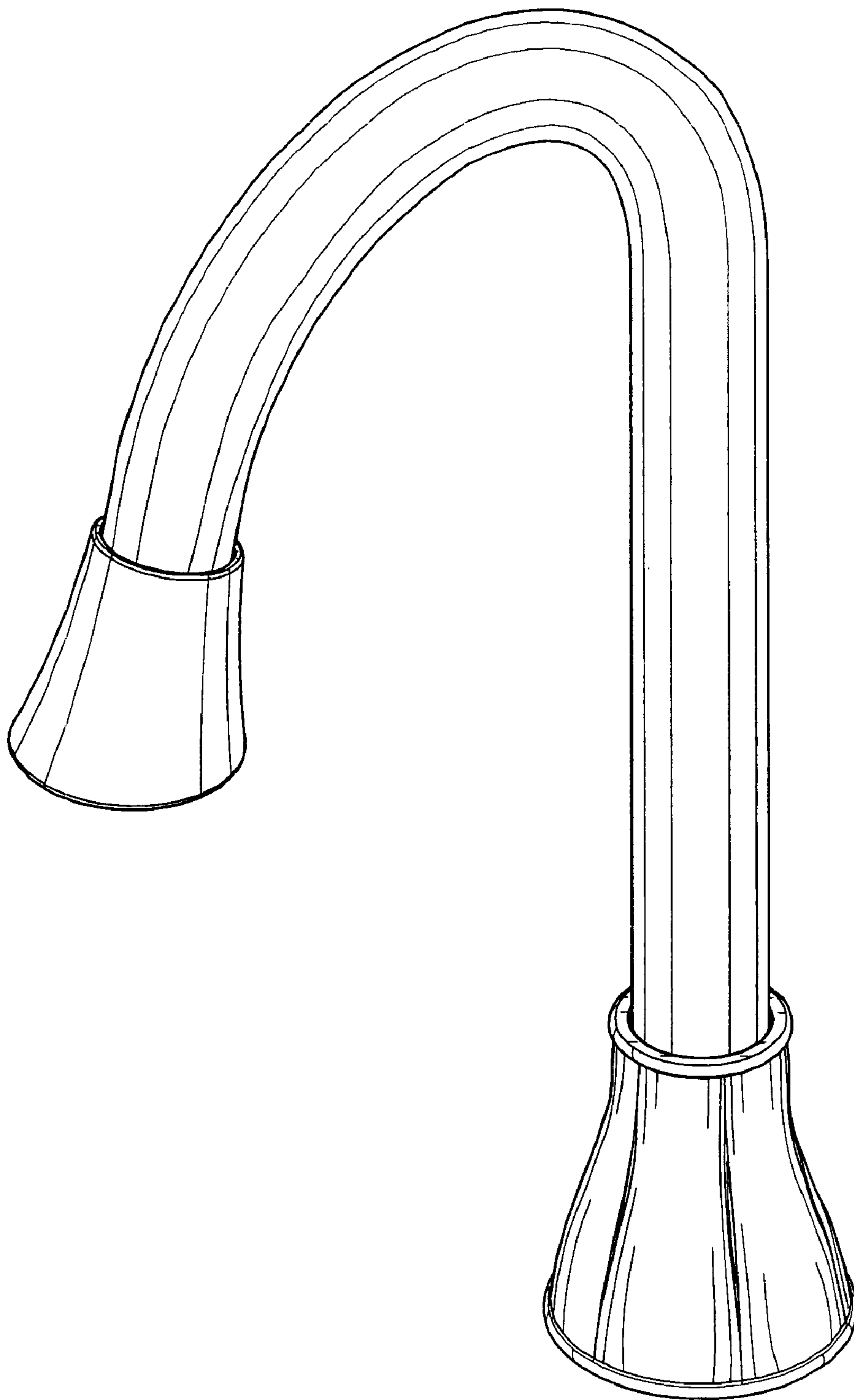


FIG. 1

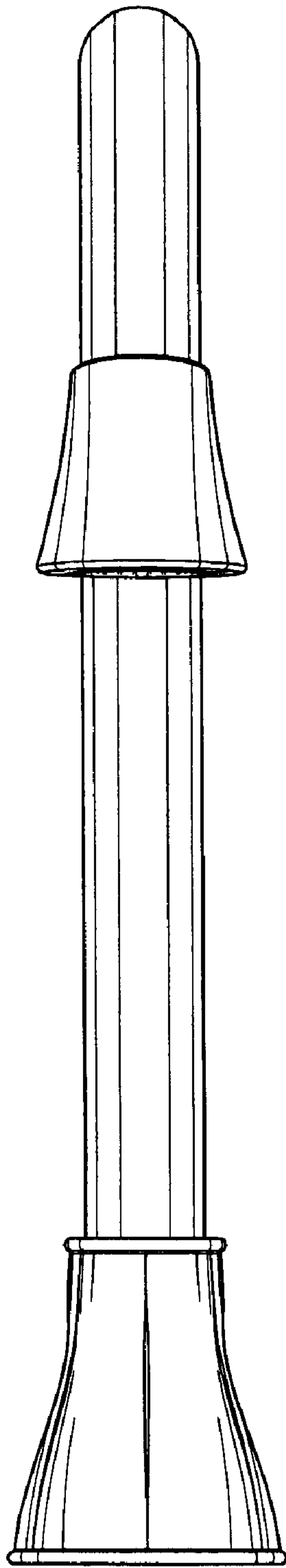


FIG. 2

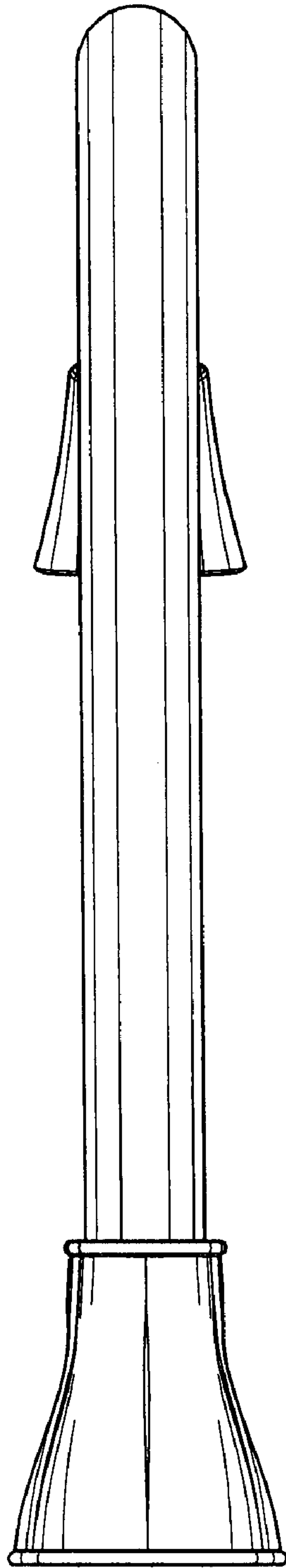


FIG. 3

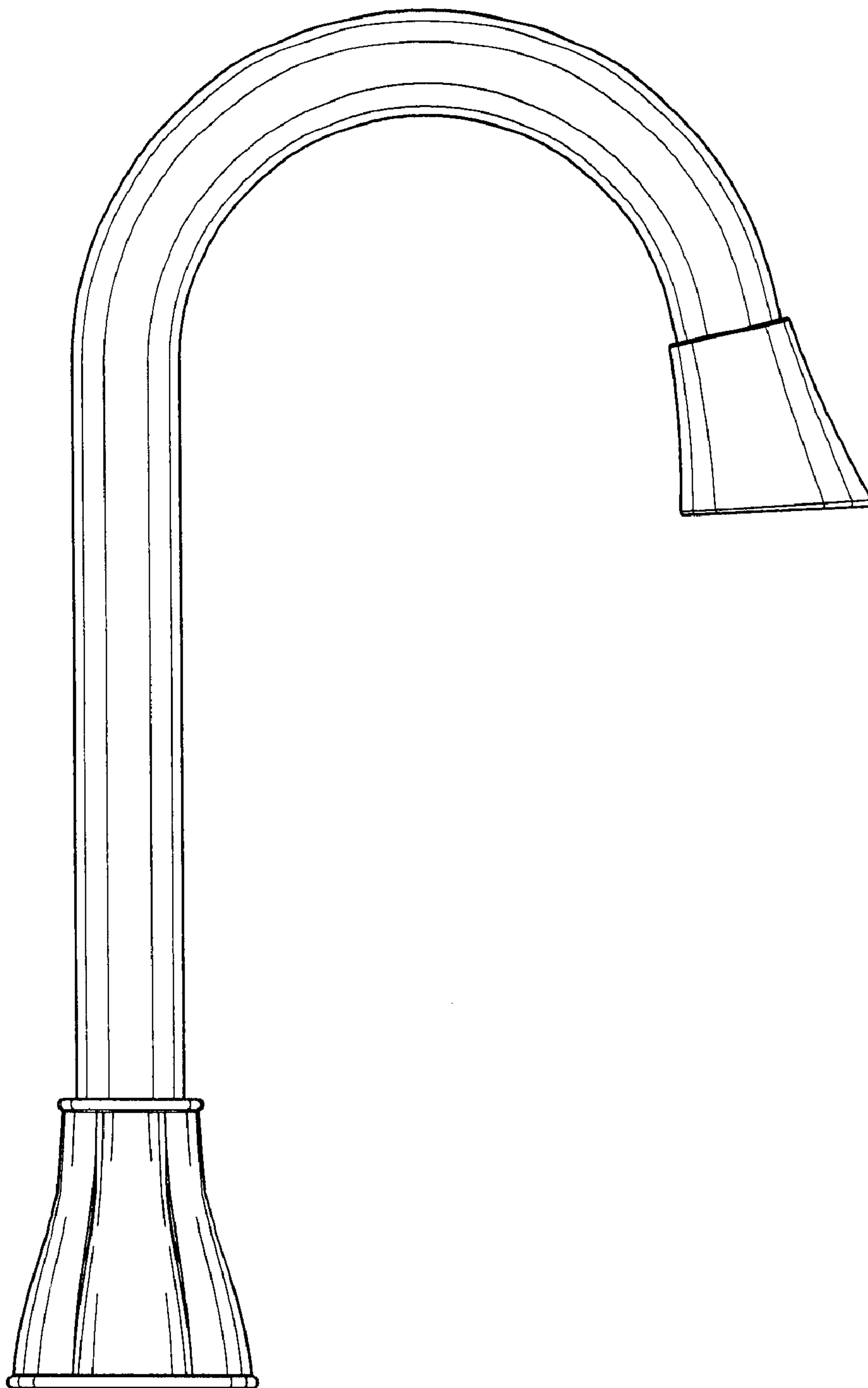


FIG. 4

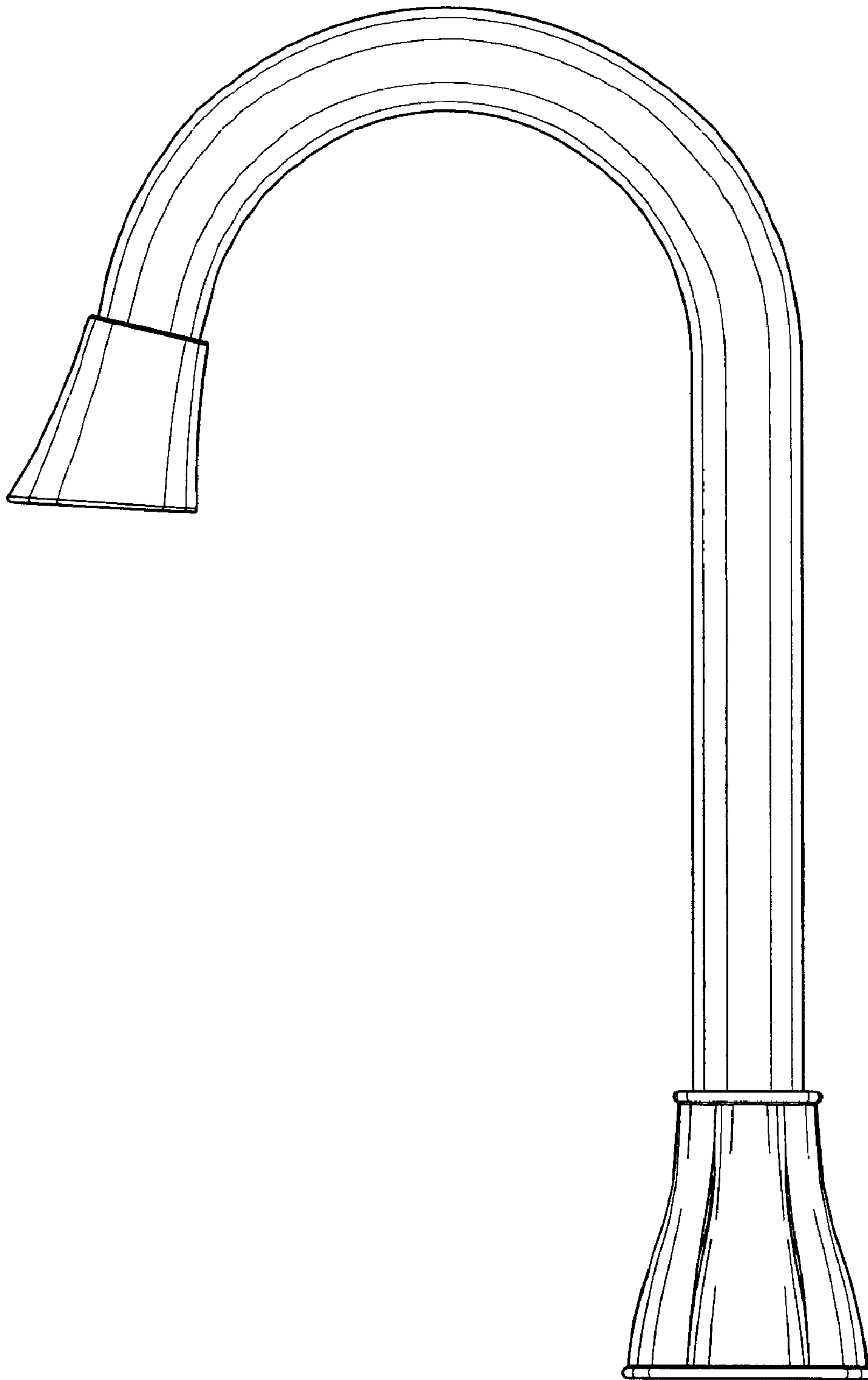


FIG. 5

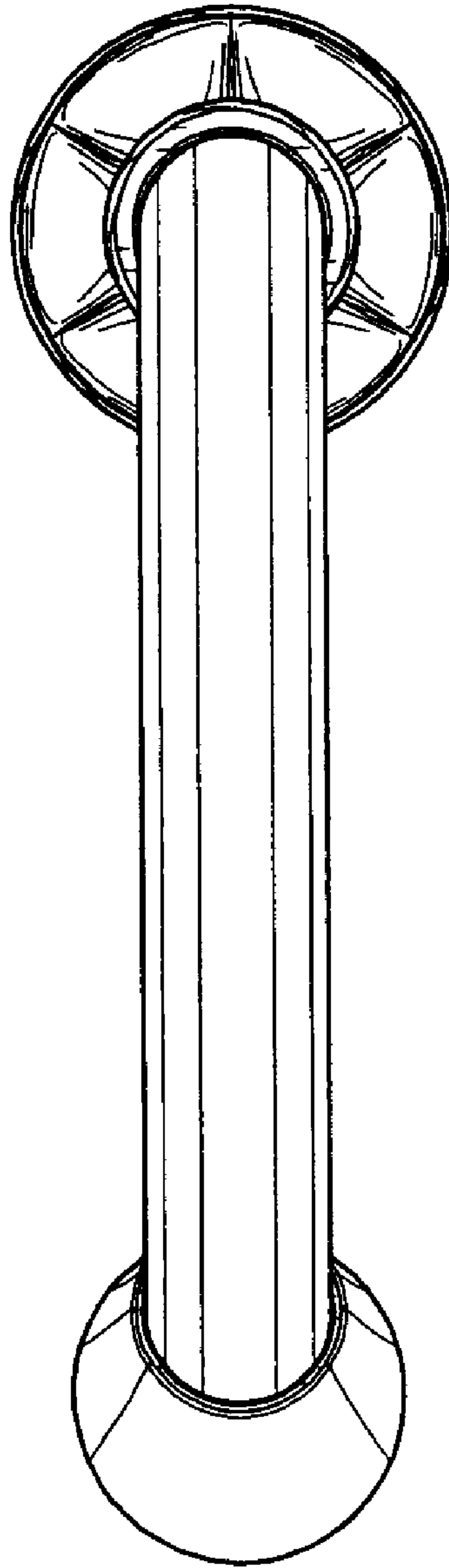


FIG. 6