

US00D533920S

(12) **United States Design Patent**  
**Dingler et al.**

(10) **Patent No.:** **US D533,920 S**

(45) **Date of Patent:** **\*\* Dec. 19, 2006**

(54) **SHOWERHEAD**

D451,170 S \* 11/2001 Lindholm et al. .... D23/229  
D471,253 S \* 3/2003 Tse ..... D23/229

(75) Inventors: **Noah Dingler**, Waterford, MI (US);  
**Dominic Daunter**, Howell, MI (US);  
**Michael Miller**, Portage, MI (US);  
**Kristen Swope**, Homer, MI (US)

\* cited by examiner

*Primary Examiner*—Robin Webster  
(74) *Attorney, Agent, or Firm*—Edgar A. Zarins; Lloyd D. Doigan

(73) Assignee: **Alsons Corporation**, Hillsdale, MI (US)

(57) **CLAIM**

(\*\*) Term: **14 Years**

The ornamental design for a showerhead, as shown and described.

(21) Appl. No.: **29/230,911**

**DESCRIPTION**

(22) Filed: **May 27, 2005**

(51) **LOC (8) Cl.** ..... **23-01**

FIG. 1 is a perspective view of a showerhead showing my new design;

(52) **U.S. Cl.** ..... **D23/229**

FIG. 2 is a front elevational view thereof;

(58) **Field of Classification Search** ..... D23/213,

FIG. 3 is a rear view thereof;

D23/223, 226, 229–230; 239/526, 282–3

FIG. 4 is a first side view thereof;

See application file for complete search history.

FIG. 5 is a second side view thereof; and,

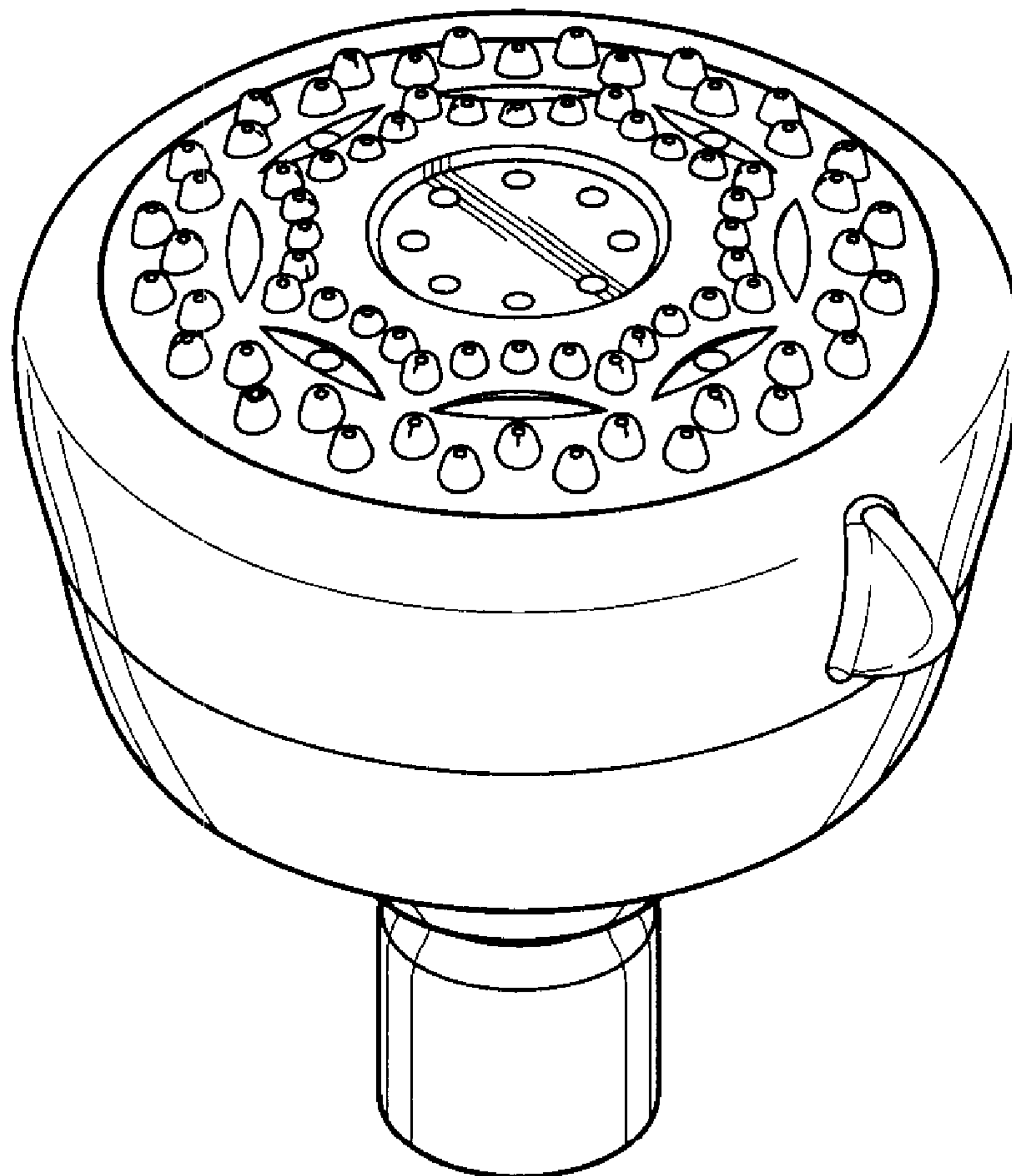
(56) **References Cited**

FIG. 6 is a third side view thereof.

**U.S. PATENT DOCUMENTS**

D432,210 S \* 10/2000 Tse ..... D23/229

**1 Claim, 2 Drawing Sheets**



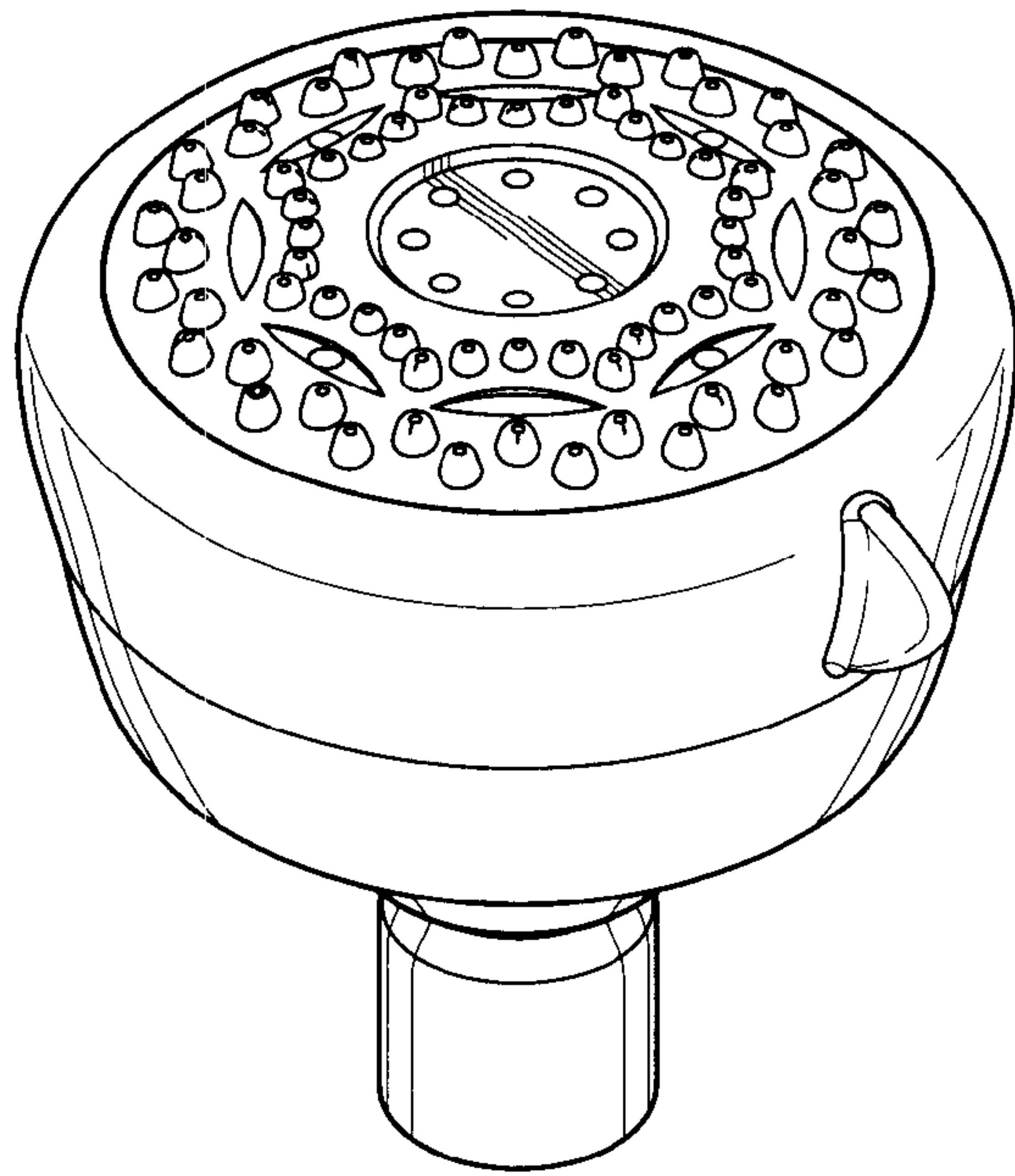


Fig-1

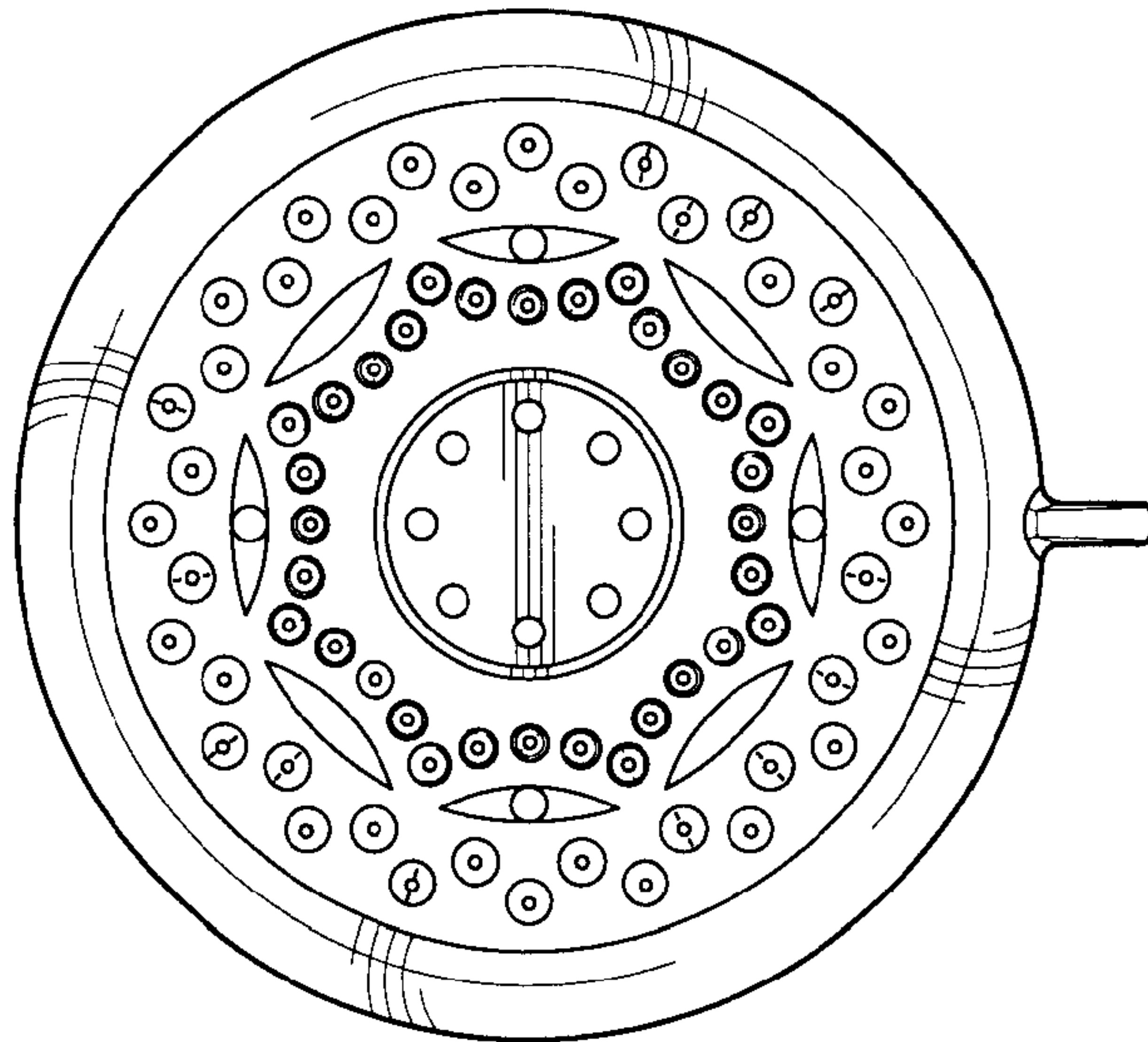


Fig-2

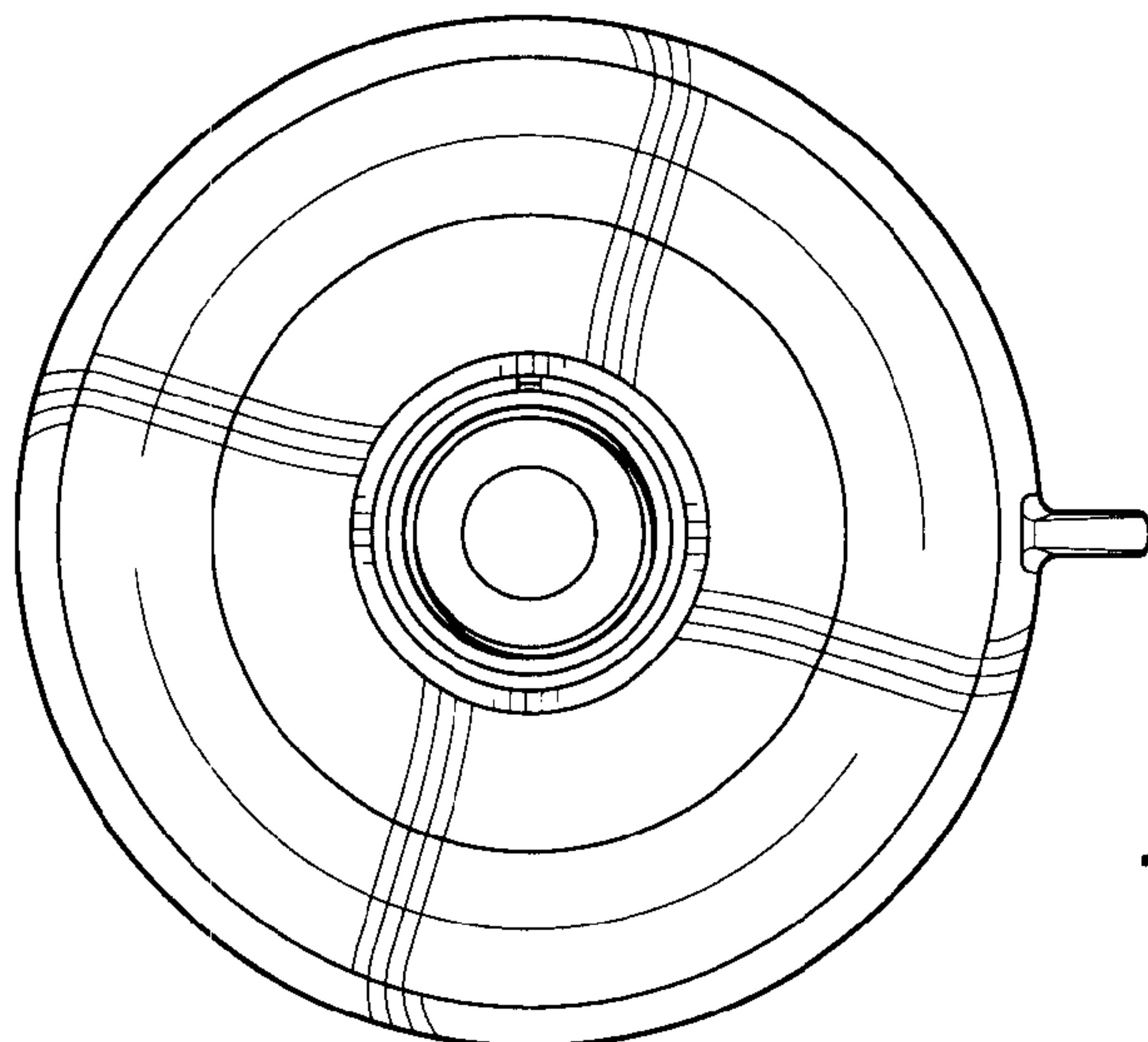


Fig-3

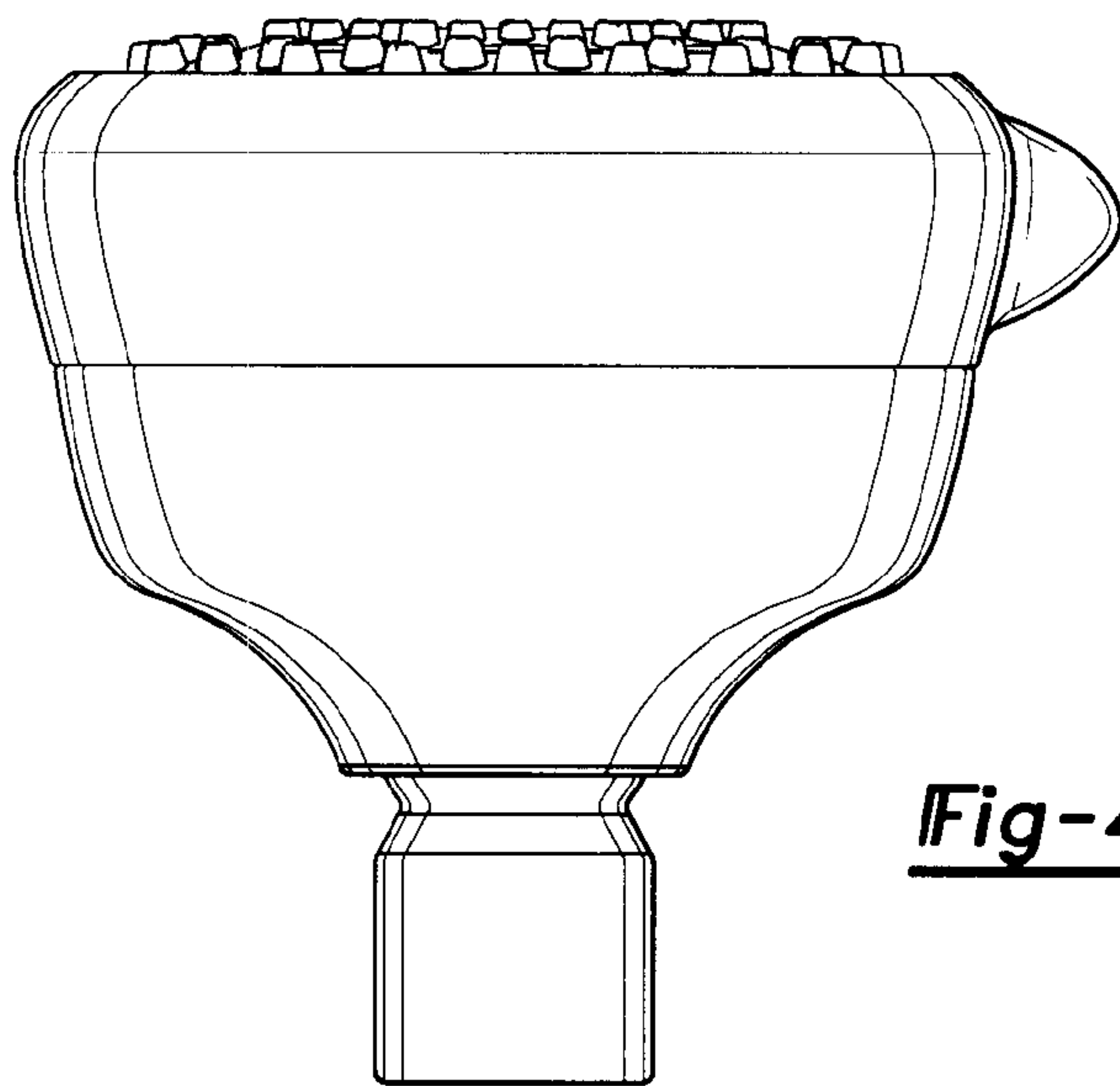


Fig-4

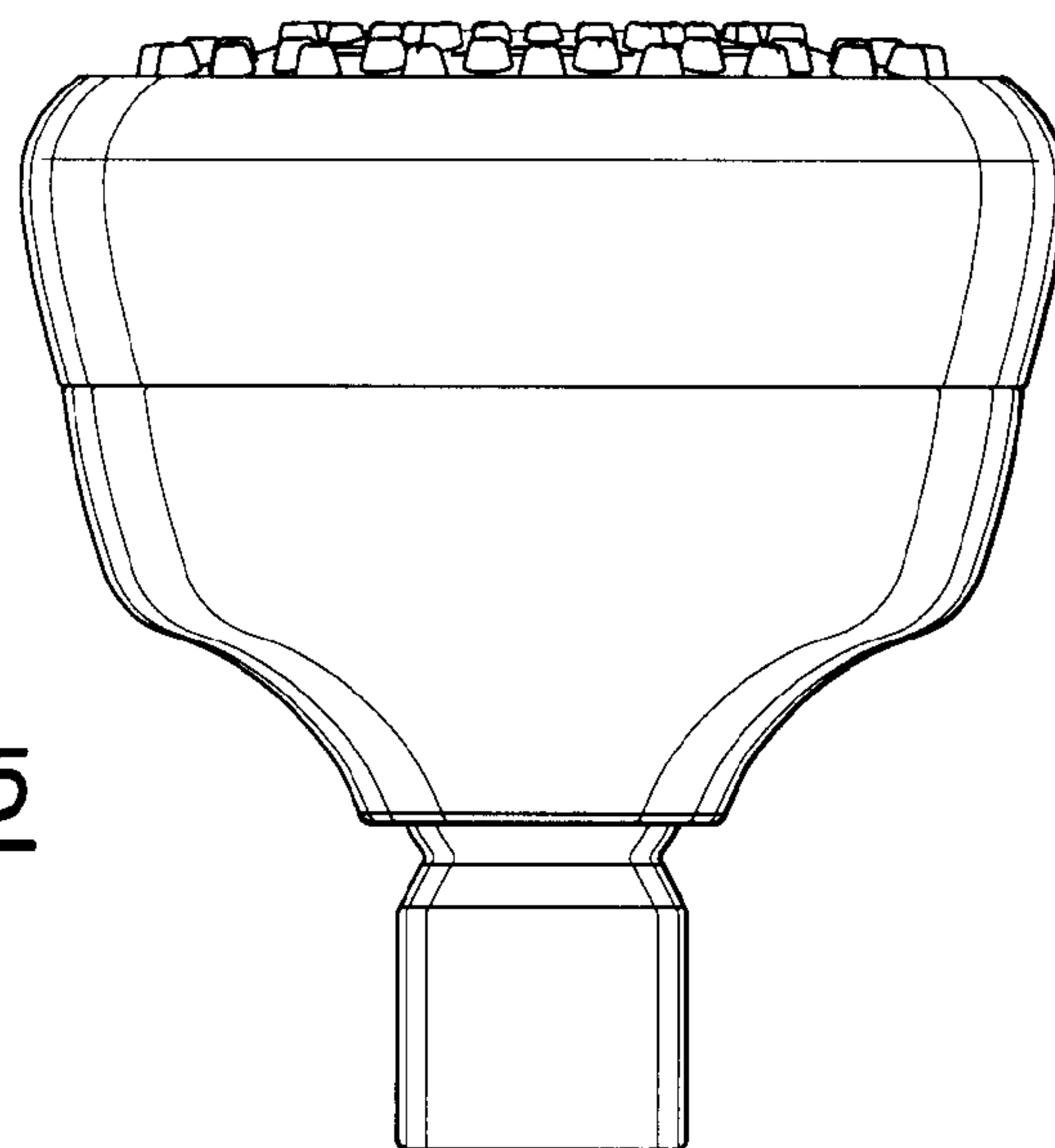


Fig-5

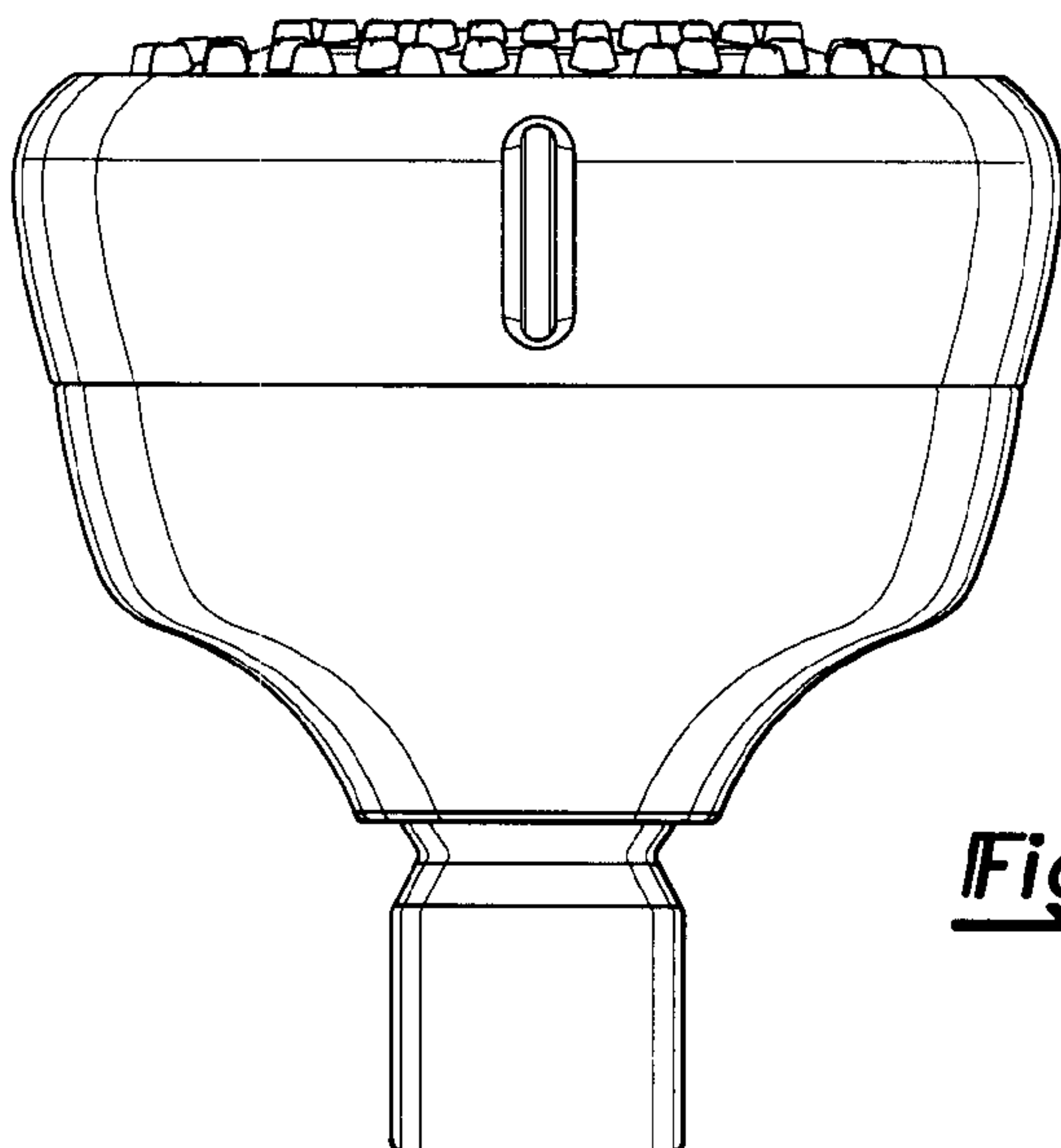


Fig-6