



US00D533918S

(12) **United States Design Patent**
Dodd

(10) **Patent No.:** **US D533,918 S**

(45) **Date of Patent:** **** Dec. 19, 2006**

(54) **HOSE-END SPRAYER PORTION**

(75) Inventor: **Joseph K. Dodd**, Lee's Summit, MO
(US)

(73) Assignee: **MeadWestvaco Corporation**, Glen
Allen, VA (US)

(**) Term: **14 Years**

(21) Appl. No.: **29/251,588**

(22) Filed: **Jan. 10, 2006**

D433,095 S * 10/2000 Beaver et al. D23/213
D451,581 S * 12/2001 Shanklin et al. D23/225
D466,584 S * 12/2002 Hubmann et al. D23/213
D480,124 S * 9/2003 Hubmann et al. D23/213

* cited by examiner

Primary Examiner—Robin Webster

(74) *Attorney, Agent, or Firm*—Gordon & Jacobson, PC

(57) **CLAIM**

The ornamental design for a hose-end sprayer portion, as shown and described.

Related U.S. Application Data

(63) Continuation of application No. 29/215,973, filed on Oct. 28, 2004, now Pat. No. Des. 519,602.

(51) **LOC (8) Cl.** **23-01**

(52) **U.S. Cl.** **D23/213**

(58) **Field of Classification Search** D23/213,
D23/225; 239/302, 310, 316, 318
See application file for complete search history.

(56) **References Cited**

U.S. PATENT DOCUMENTS

D289,675 S * 5/1987 Beal et al. D23/225

DESCRIPTION

FIG. 1 is a top plan view of a hose-end sprayer portion showing my new design;

FIG. 2 is a right side elevational view;

FIG. 3 is a left side elevational view;

FIG. 4 is a front view; and,

FIG. 5 is a rear view.

The broken line showing is for illustrative purposes only and forms no part of the claimed design.

1 Claim, 2 Drawing Sheets

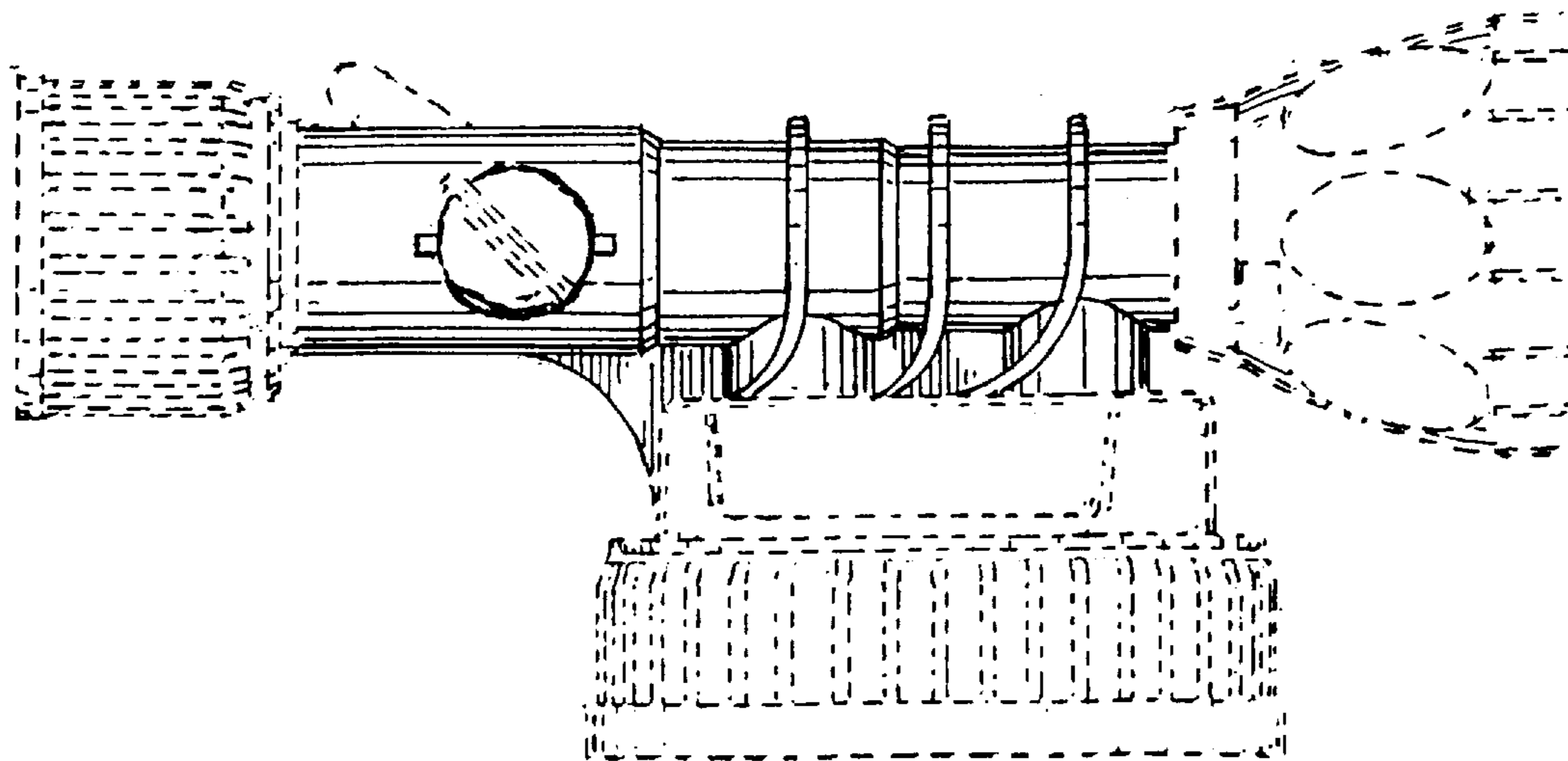


FIG. 1

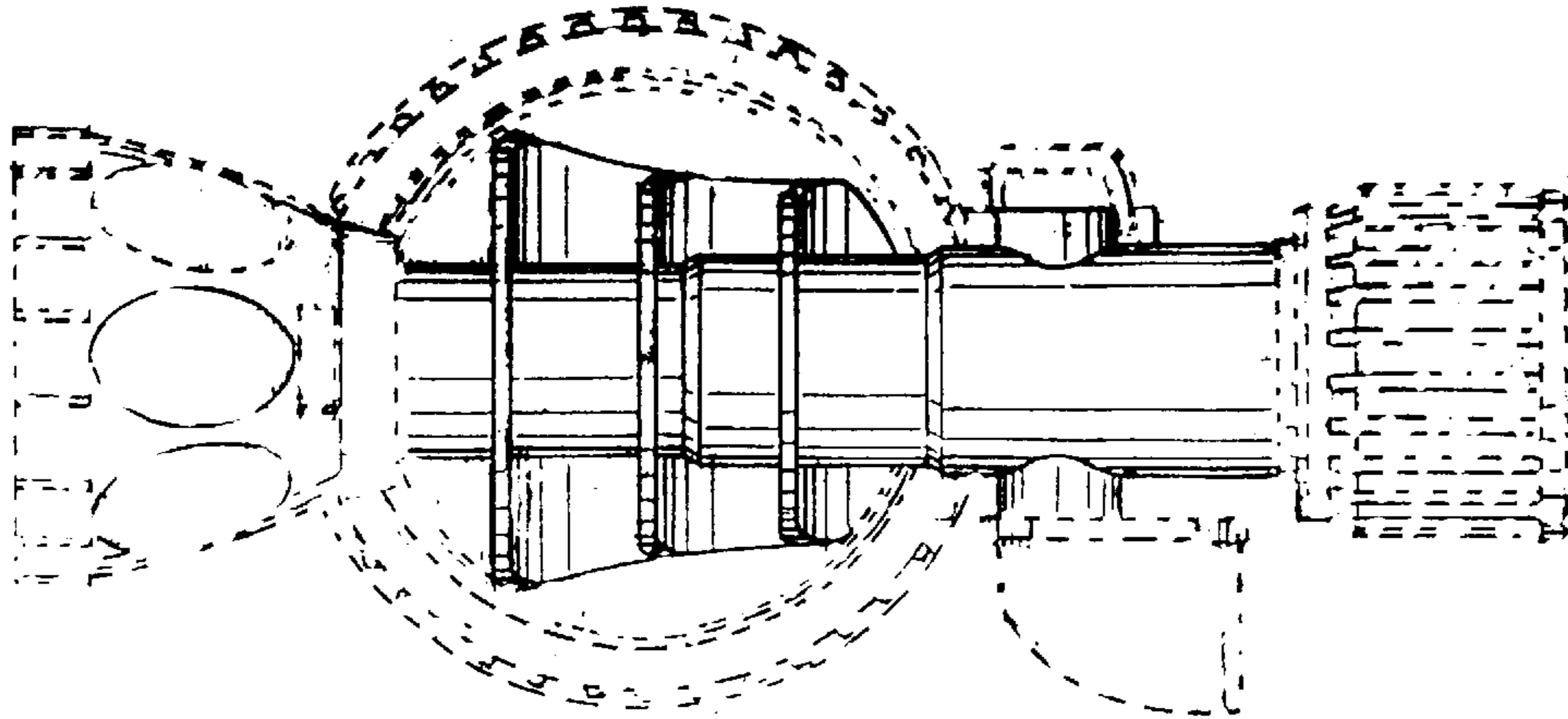


FIG. 2

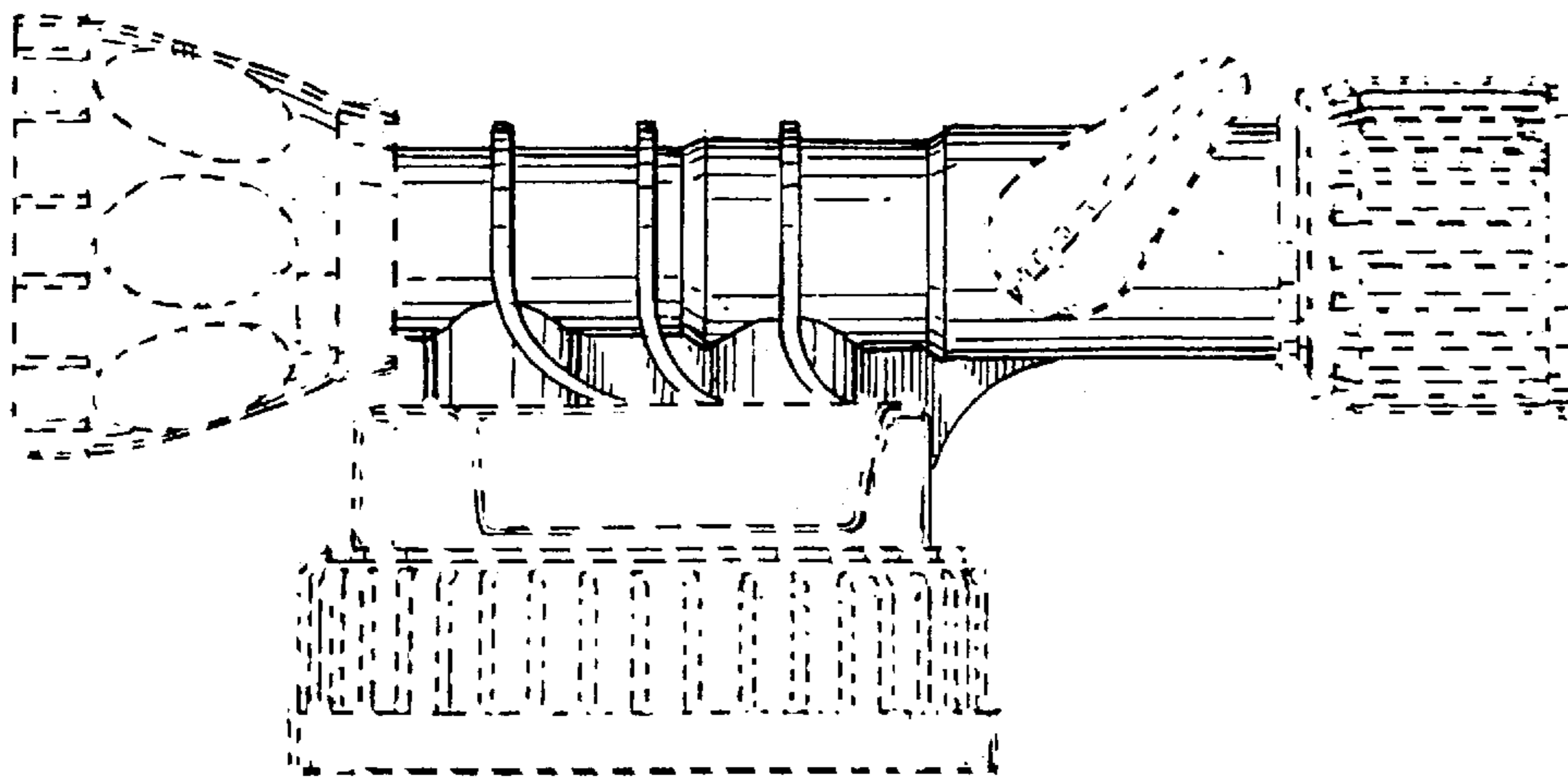


FIG. 3

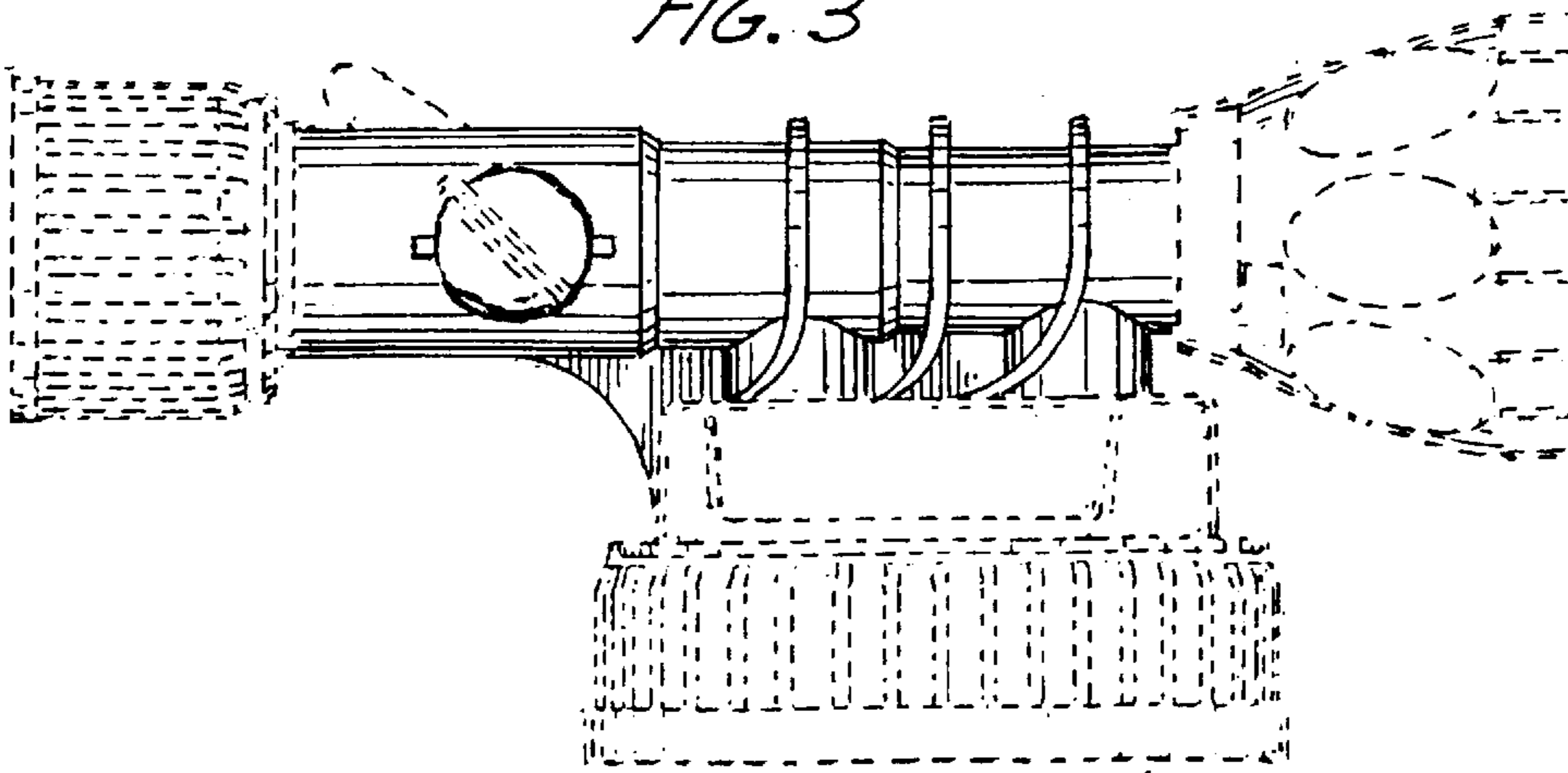


FIG. 4

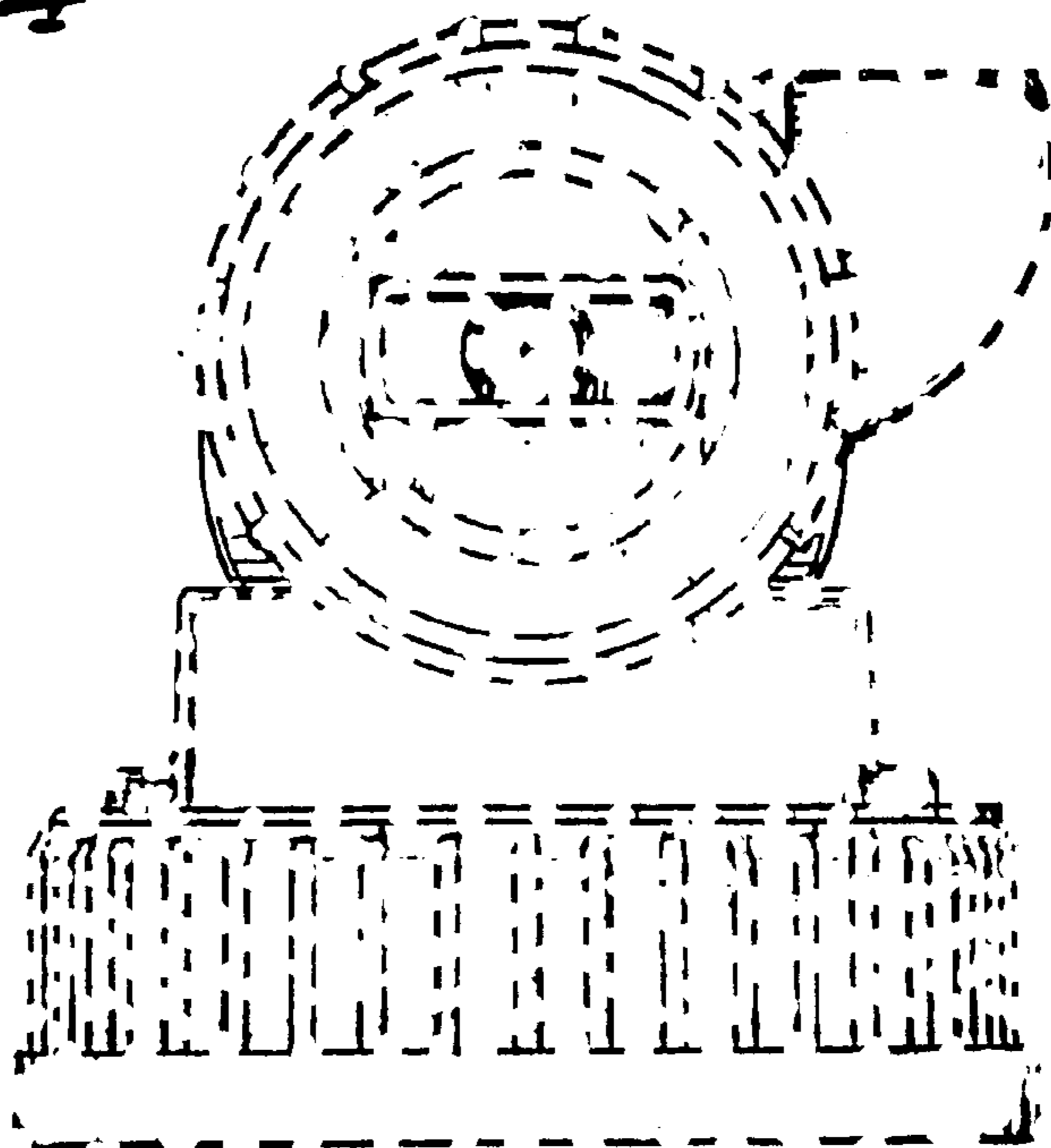


FIG. 5

