



US00D533917S

(12) **United States Design Patent**
Chung

(10) **Patent No.:** **US D533,917 S**

(45) **Date of Patent:** **** Dec. 19, 2006**

(54) **WATER SPRAY GUN**

D515,662 S * 2/2006 Chen D23/223
7,007,868 B1 * 3/2006 Chen 239/525

(76) Inventor: **Chiu-Chih Chung**, No. 31, Lane 275,
Sec. 4, Lu Ho Rd., Lu Kan Chen,
Chunghua Hsien (TW)

* cited by examiner

(**) Term: **14 Years**

Primary Examiner—Robin Webster

(74) *Attorney, Agent, or Firm*—Troxell Law Office, PLLC

(21) Appl. No.: **29/230,725**

(57) **CLAIM**

(22) Filed: **May 26, 2005**

The ornamental design for a water spray gun, as shown and described.

(51) **LOC (8) Cl.** **23-01**

DESCRIPTION

(52) **U.S. Cl.** **D23/213**

(58) **Field of Classification Search** D23/213,
D23/223, 226; 239/525-6, 452, 458-9
See application file for complete search history.

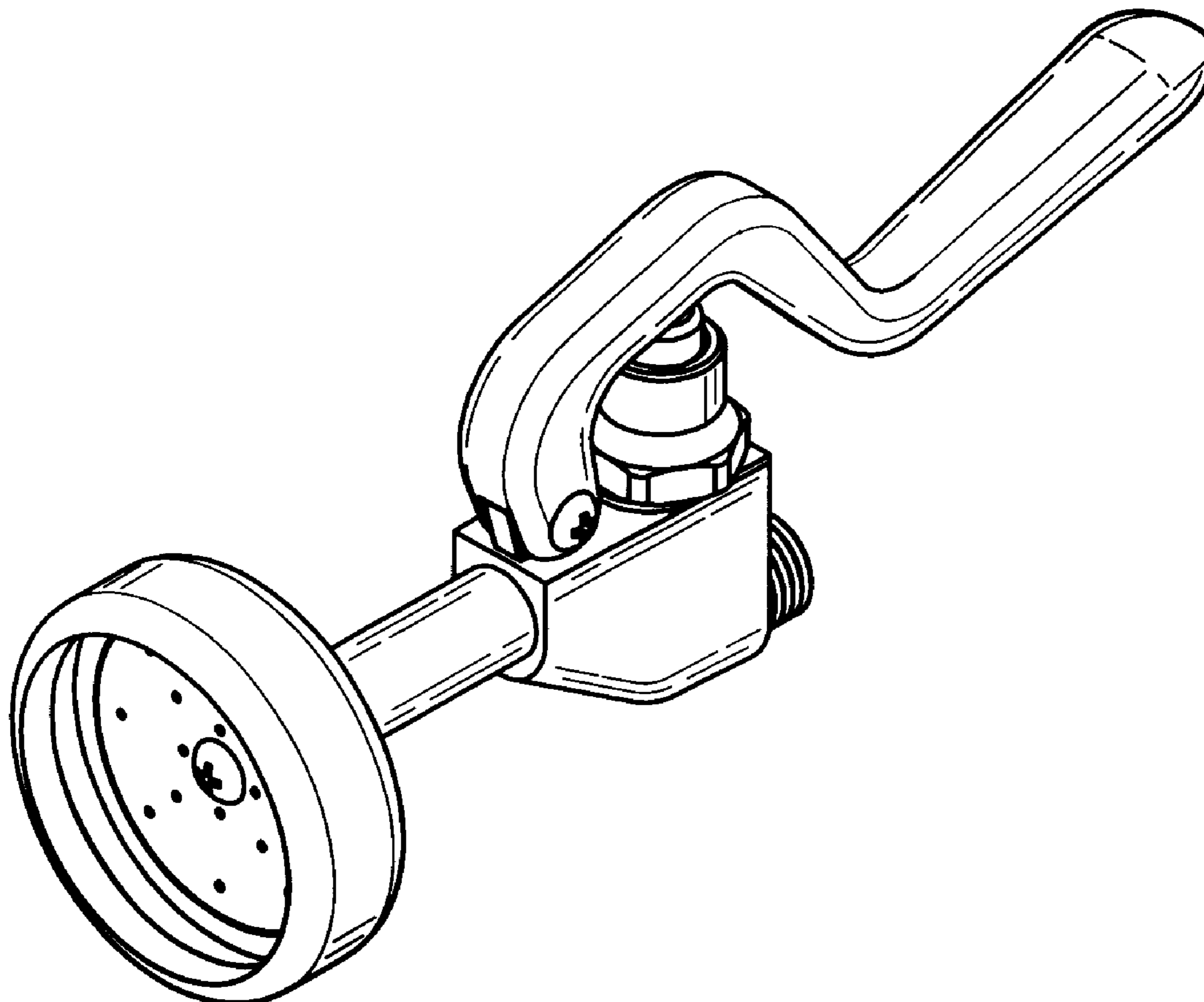
FIG. 1 is a front elevation view thereof;
FIG. 2 is a rear elevation view thereof;
FIG. 3 is a left side view thereof;
FIG. 4 is a right side view thereof;
FIG. 5 is a top plan view thereof;
FIG. 6 is a bottom plan view thereof; and,
FIG. 7 is a perspective view of a water spray gun showing
my new design.

(56) **References Cited**

U.S. PATENT DOCUMENTS

1,778,223 A * 10/1930 Meng 239/459
2,034,867 A * 3/1936 Hayes 239/313
3,540,657 A * 11/1970 Thompson 239/458

1 Claim, 4 Drawing Sheets



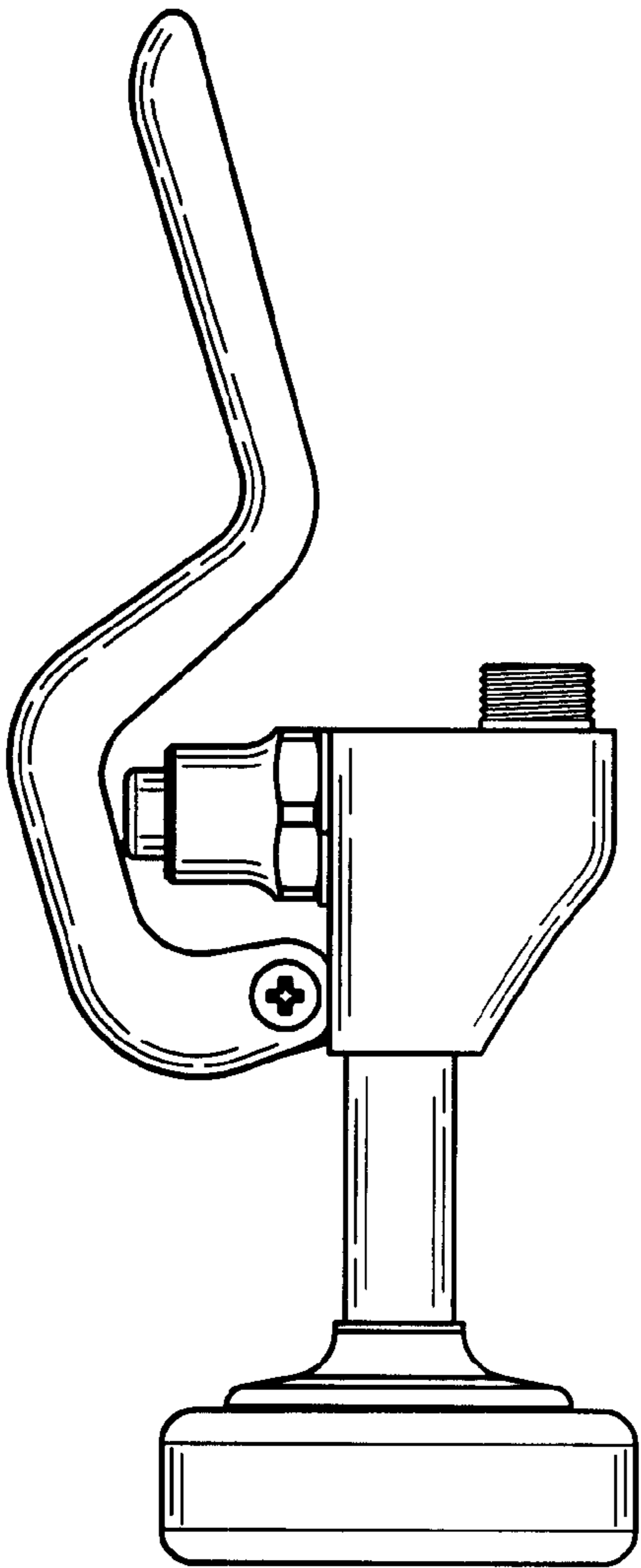


FIG. 1

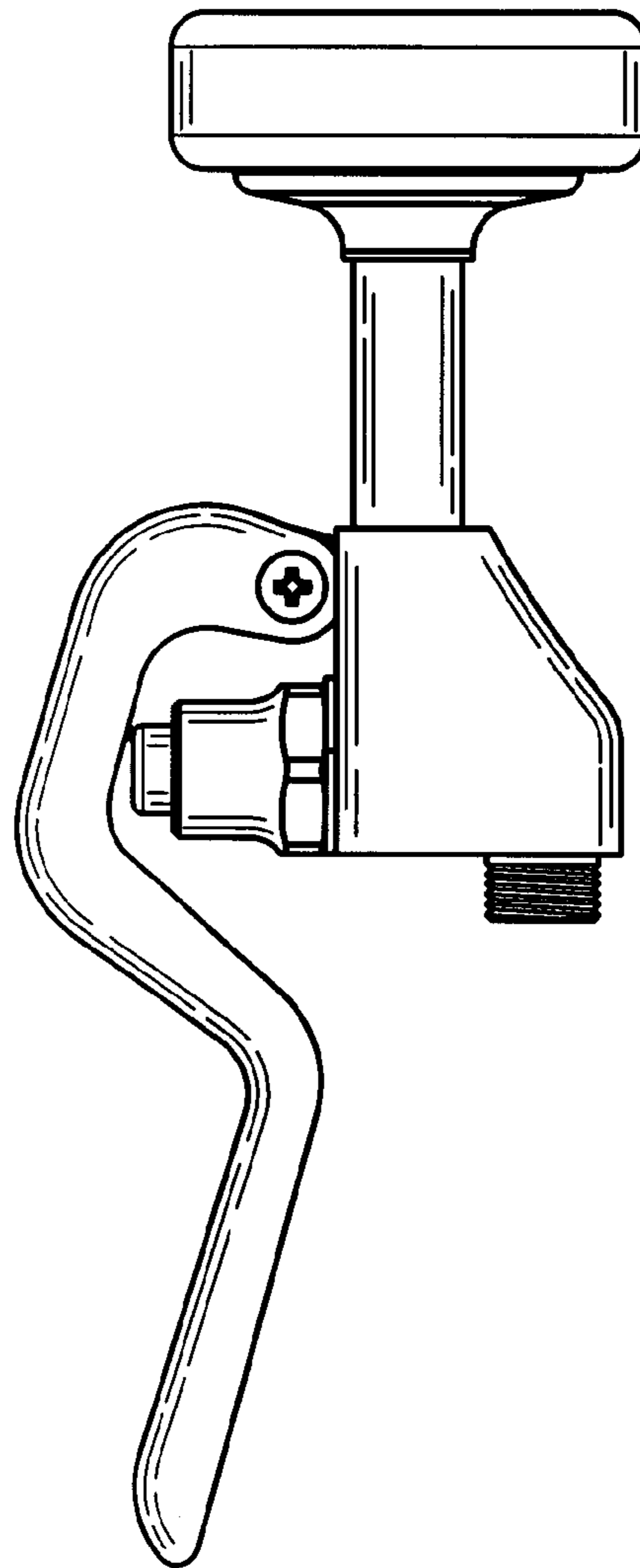


FIG. 2

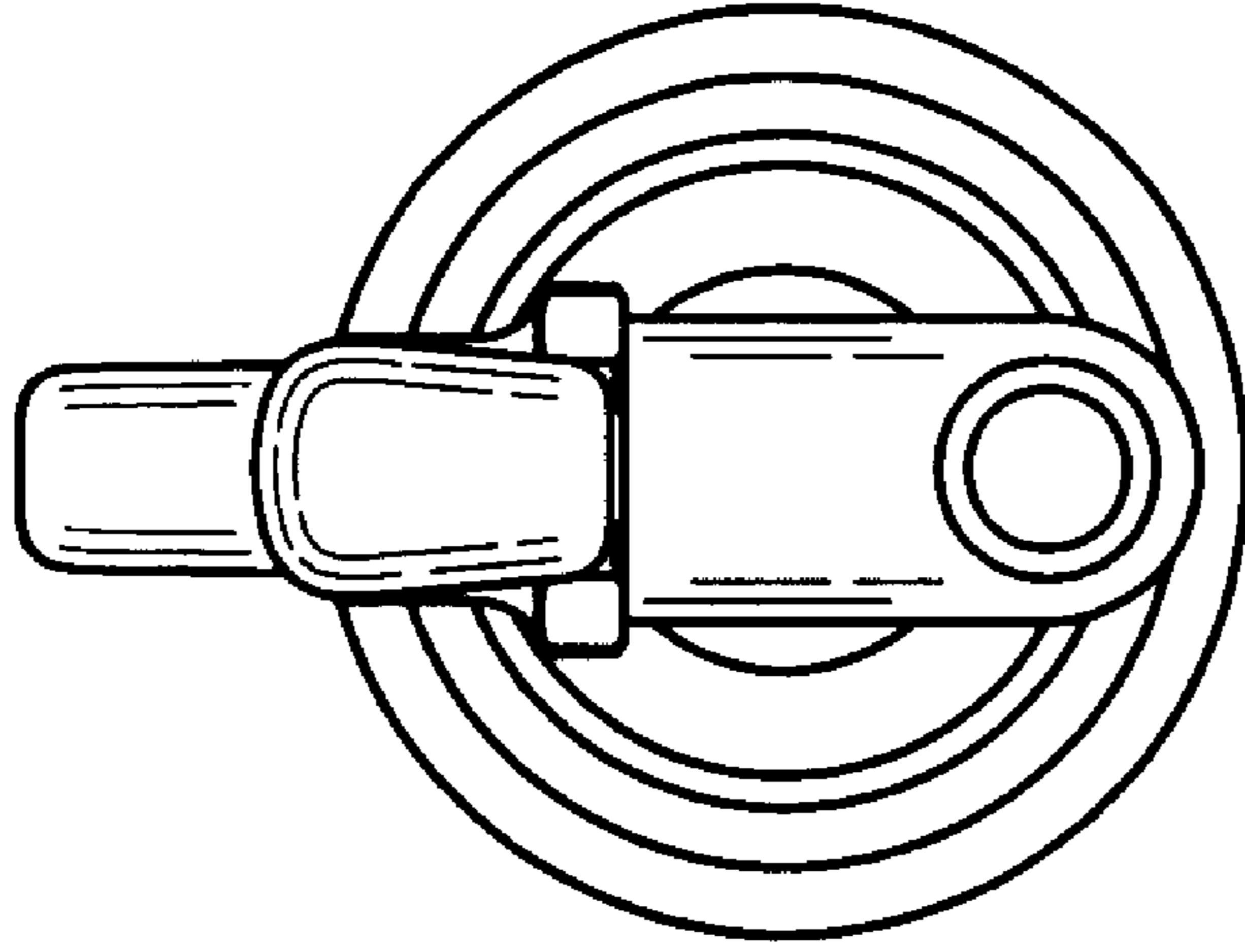


FIG. 4

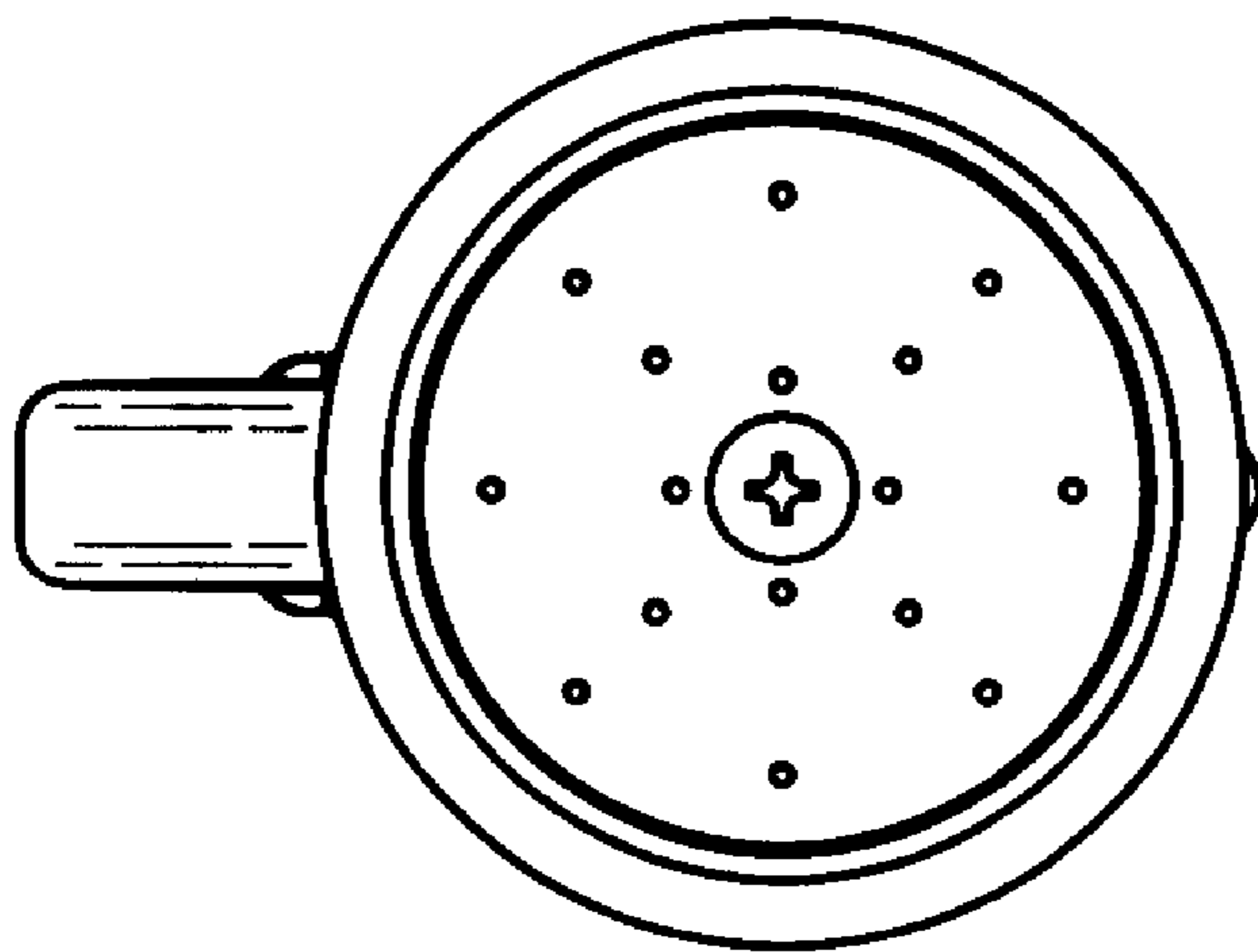


FIG. 3

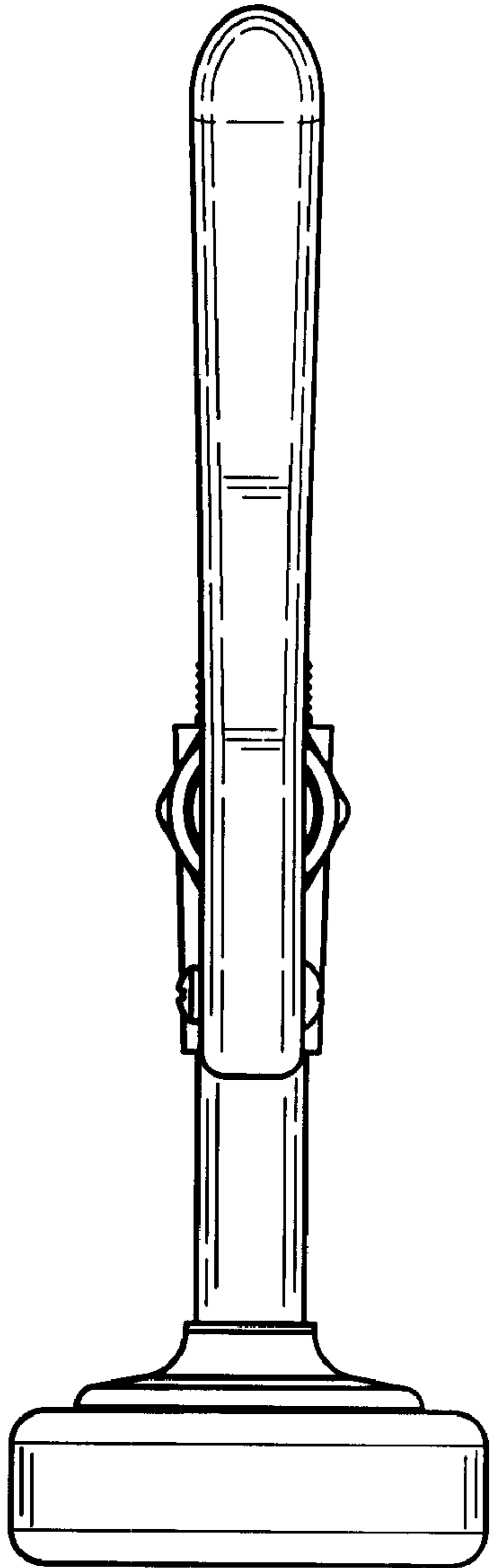


FIG. 5

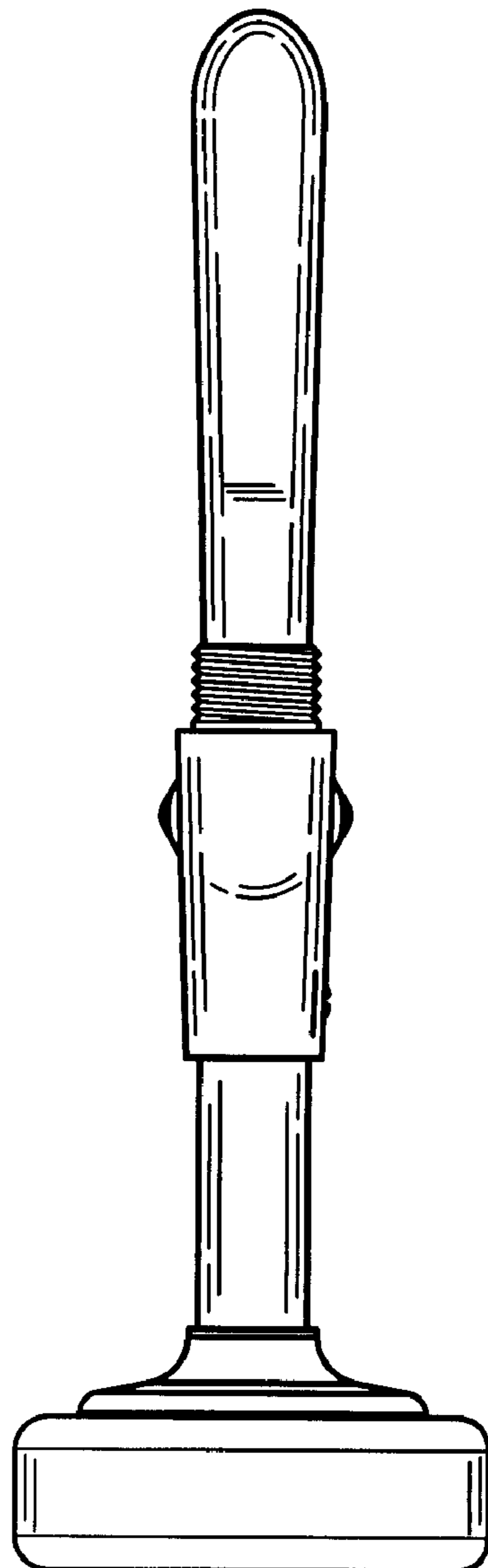


FIG. 6

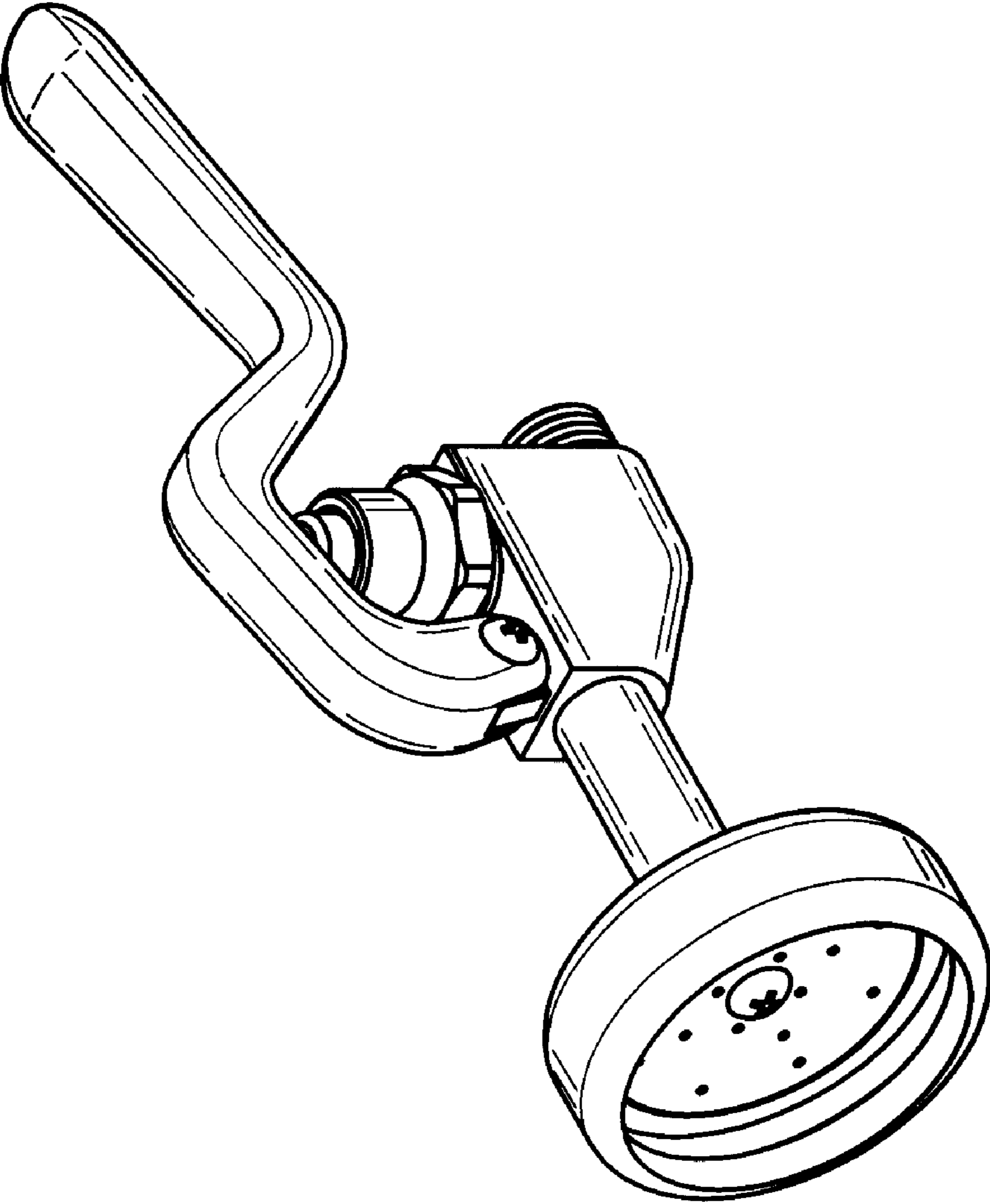


FIG. 7