



US00D533916S

(12) **United States Design Patent**  
**Liao**

(10) **Patent No.:** **US D533,916 S**

(45) **Date of Patent:** **\*\* Dec. 19, 2006**

(54) **WATER FILTER**

D503,770 S \* 4/2005 Costa et al. .... D23/207  
D506,806 S \* 6/2005 St-Hilaire .... D23/209

(76) Inventor: **I Chung Liao**, No. 1, Alley 16, Lane  
40, Jinde Rd., East District, Taichung  
City 401 (TW)

\* cited by examiner

*Primary Examiner*—Robin Webster

(74) *Attorney, Agent, or Firm*—Pro-Techtor Int’l Services

(\*\*) Term: **14 Years**

(57) **CLAIM**

(21) Appl. No.: **29/231,573**

The ornamental design for a water filter, as shown and  
described.

(22) Filed: **Jun. 7, 2005**

**DESCRIPTION**

(51) **LOC (8) Cl.** ..... **23-01**

(52) **U.S. Cl.** ..... **D23/209**

(58) **Field of Classification Search** ..... D23/209,  
D23/207; 210/244, 416.3

See application file for complete search history.

FIG. 1. is a front-right-top perspective view of a water filter,  
showing my new design;

FIG. 2. is a front elevational view thereof;

FIG. 3. is a rear elevational view thereof;

FIG. 4. is a left side elevational view thereof;

FIG. 5. is a right side elevational view thereof;

FIG. 6. is a top plan view thereof; and,

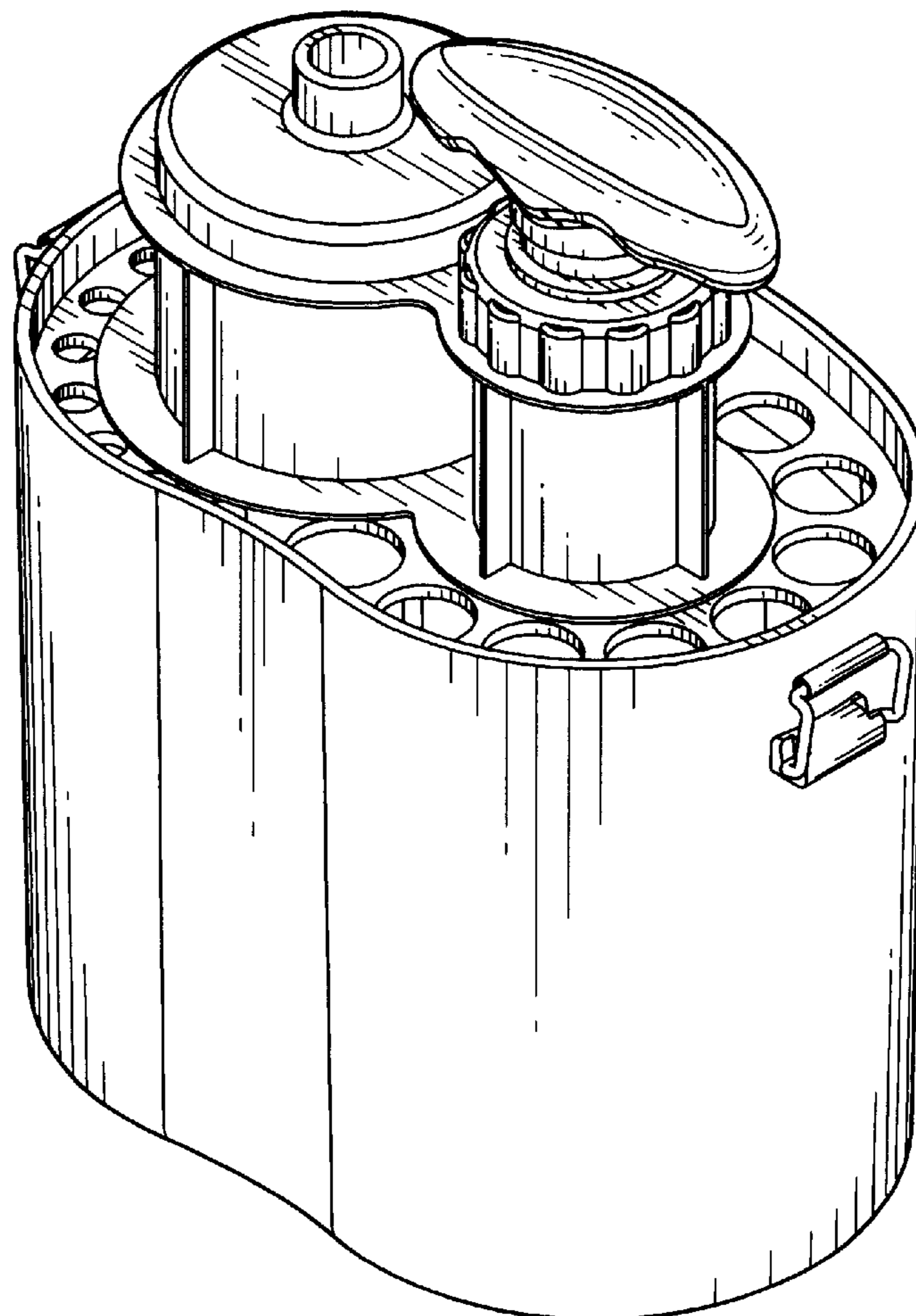
FIG. 7. is a bottom plan view thereof.

(56) **References Cited**

**U.S. PATENT DOCUMENTS**

4,762,613 A \* 8/1988 Snowball ..... 210/192  
D496,984 S \* 10/2004 Costa et al. .... D23/207  
D502,757 S \* 3/2005 Mork et al. .... D23/207

**1 Claim, 7 Drawing Sheets**



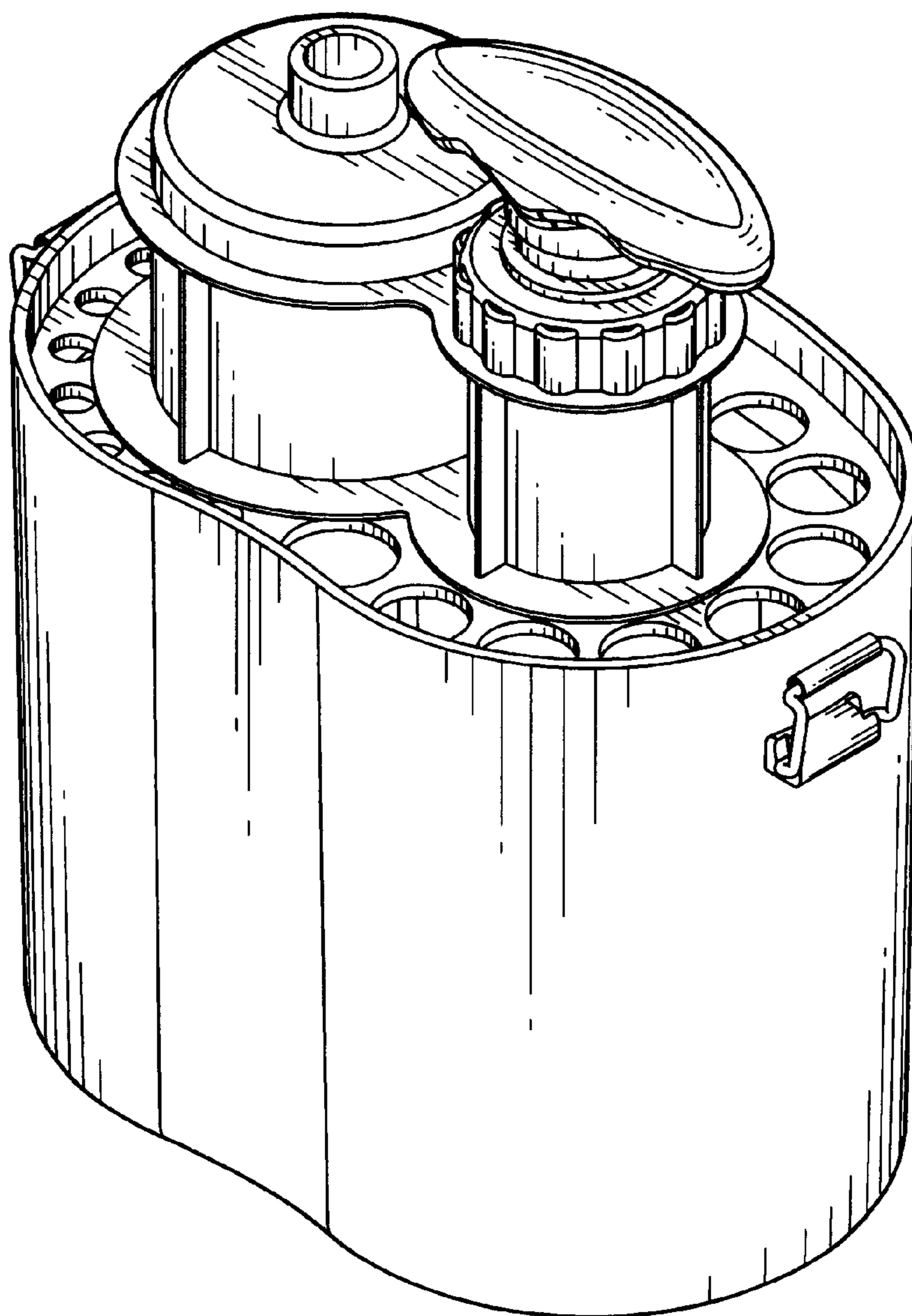


FIG. 1

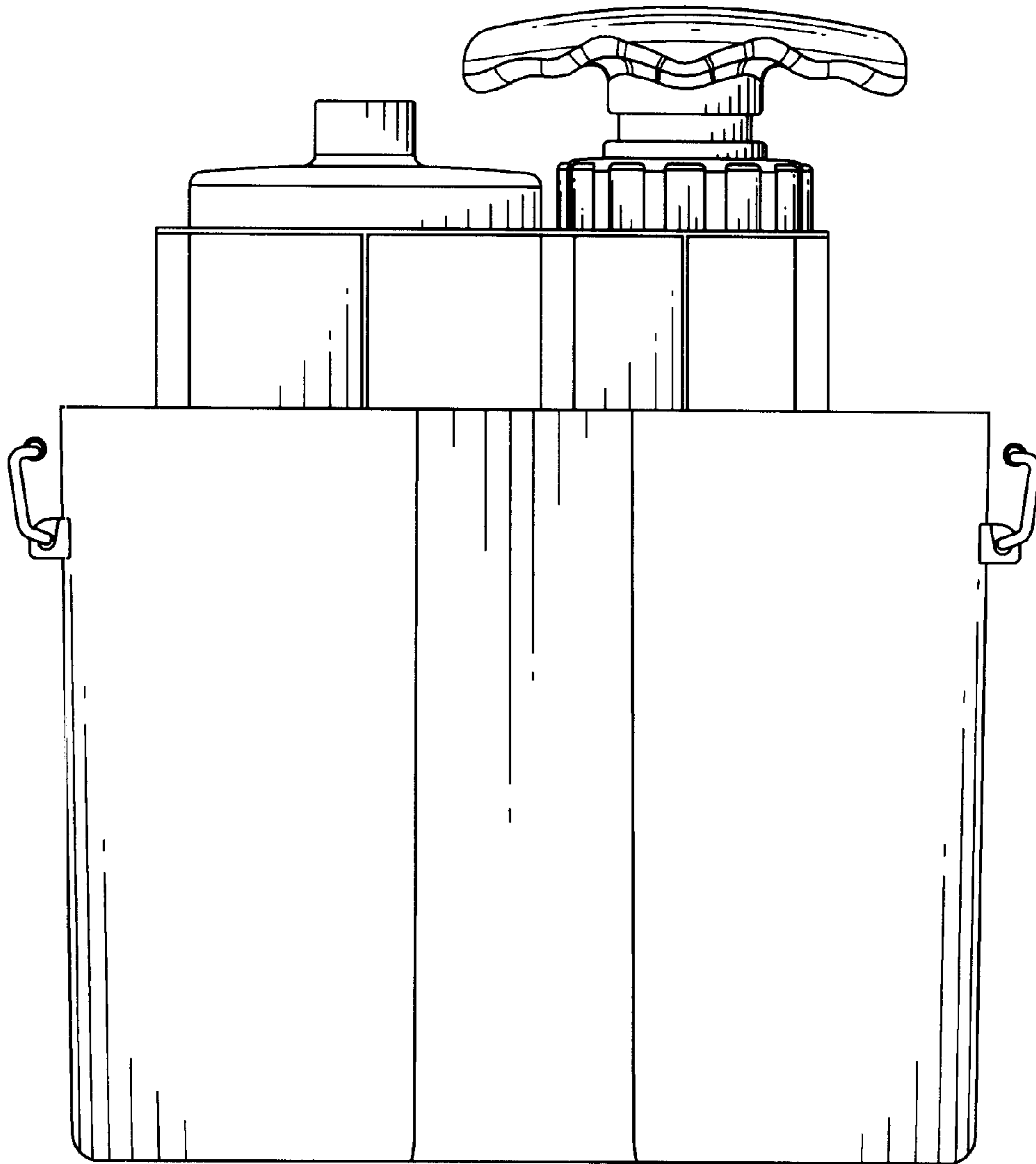


FIG. 2

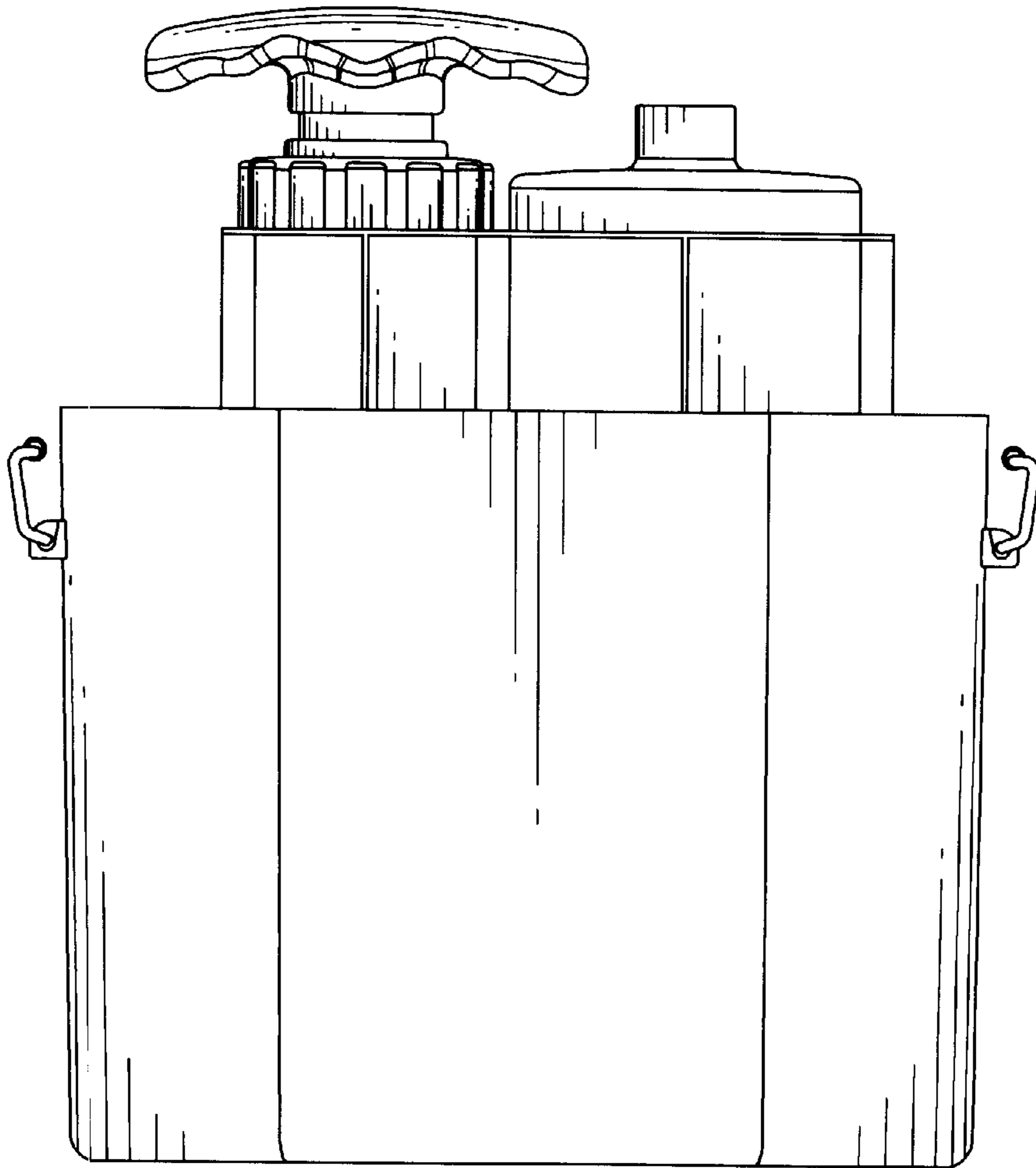


FIG. 3

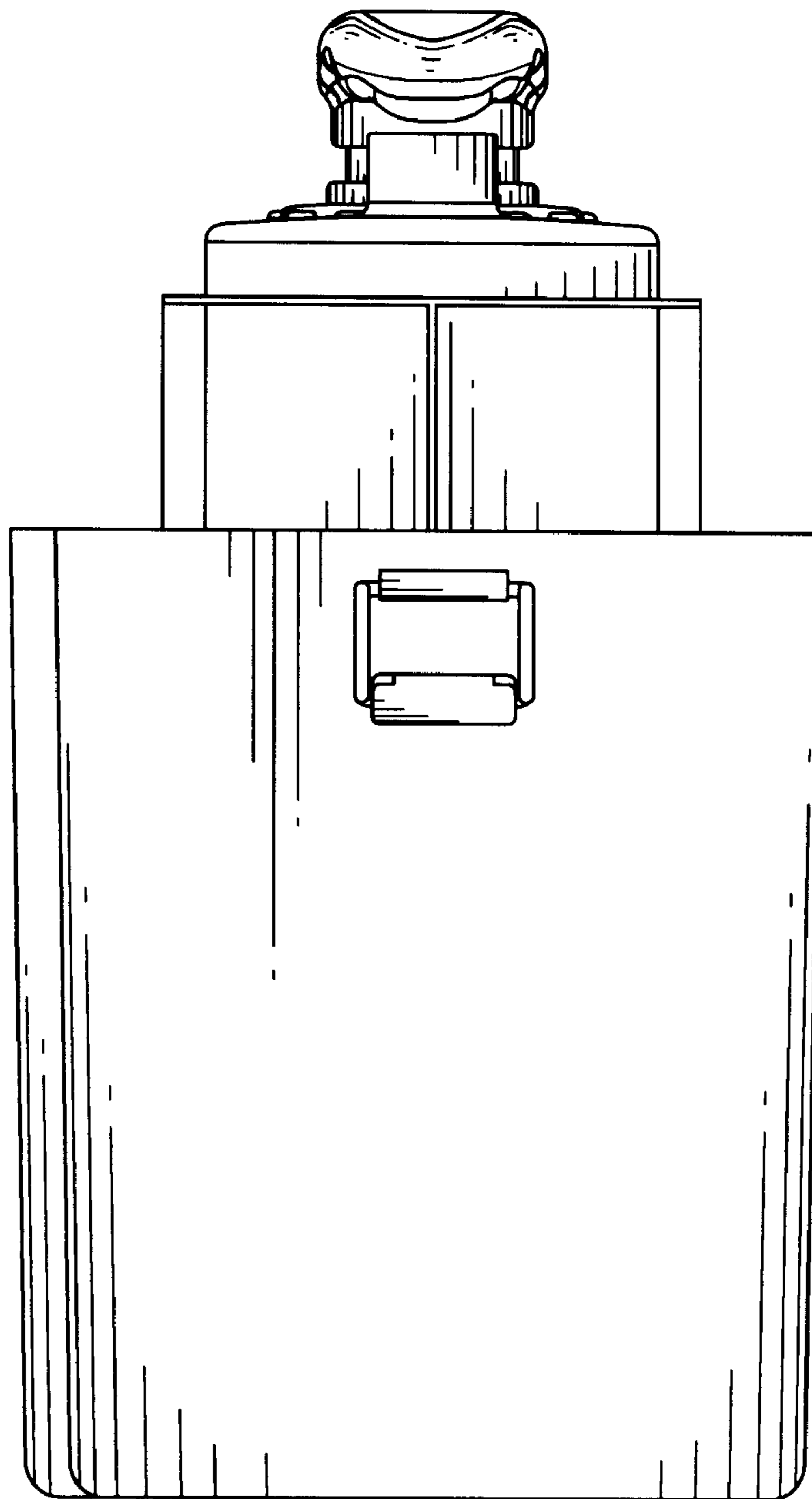


FIG. 4

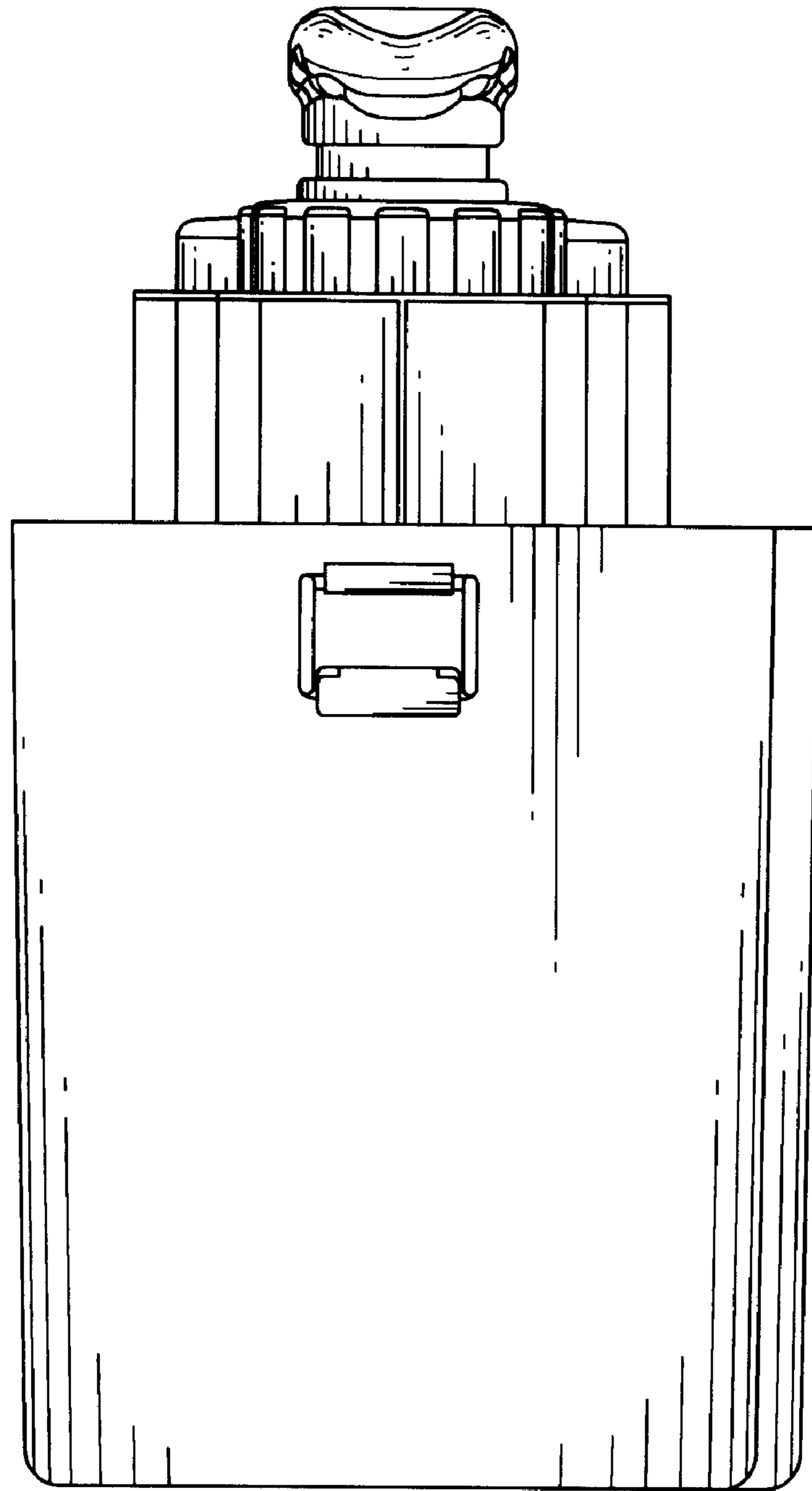


FIG. 5

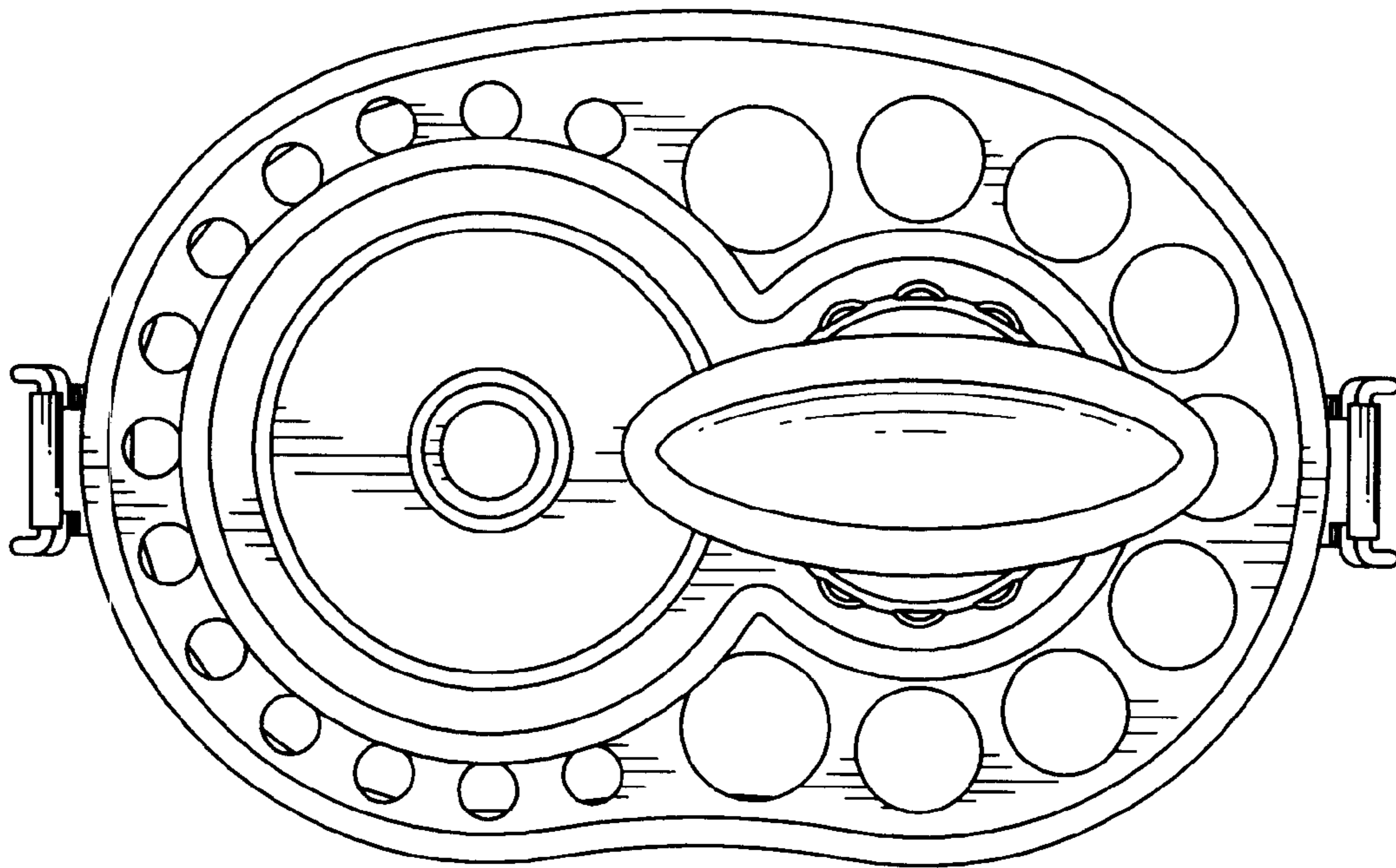


FIG. 6

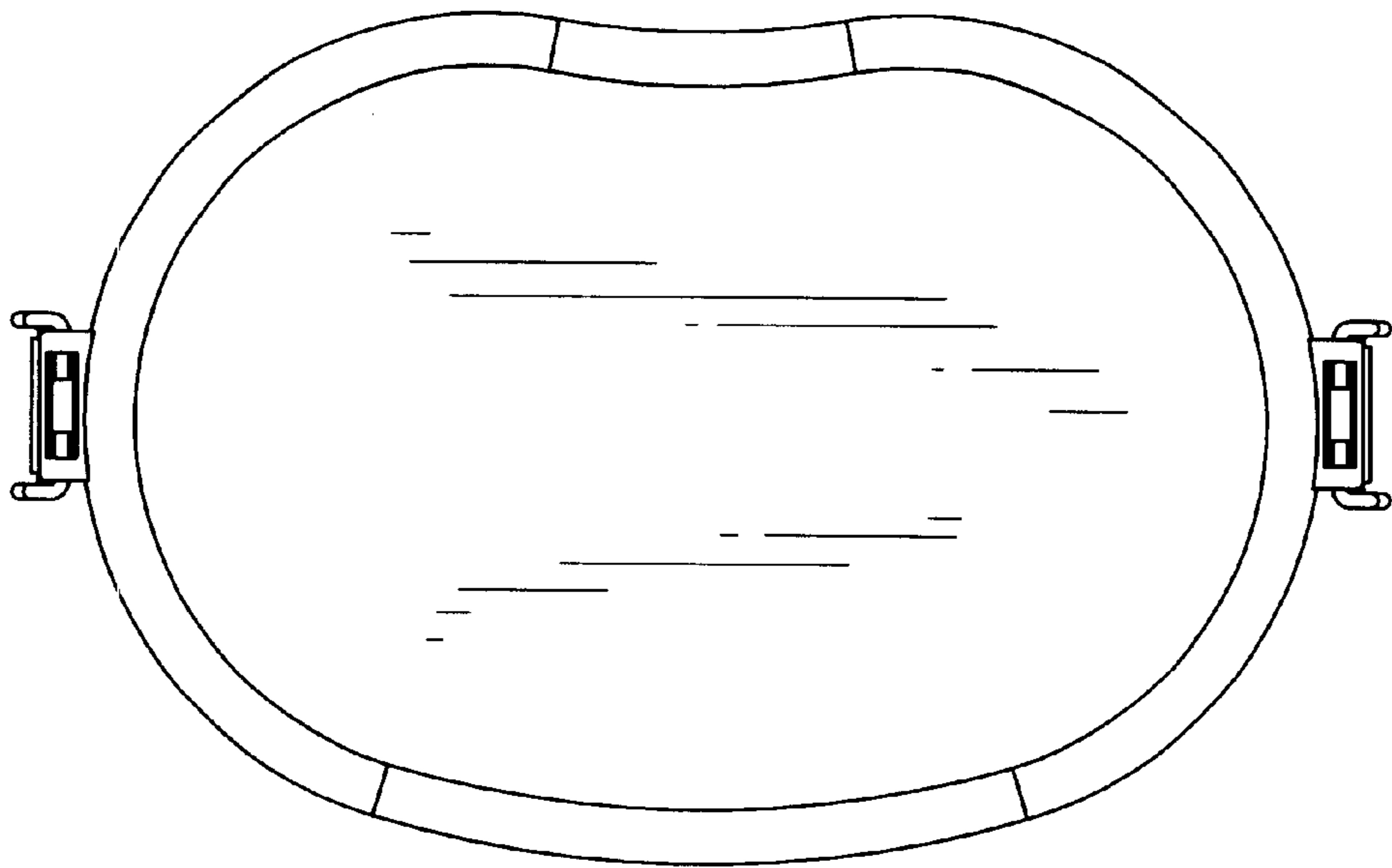


FIG. 7