



US00D533915S

(12) **United States Design Patent**  
**Borgna**

(10) **Patent No.:** **US D533,915 S**

(45) **Date of Patent:** **\*\* Dec. 19, 2006**

(54) **ARTICLE OF FISHING**

5,915,639 A \* 6/1999 Farris ..... 242/295  
D456,483 S \* 4/2002 Cryer et al. .... D22/134

(76) **Inventor:** **Gilbert Borgna**, 44 B. Boulevard REY,  
Marseille (FR), 13009

**FOREIGN PATENT DOCUMENTS**

(\*\*) **Term:** **14 Years**

FR 2700239 7/1994

(21) **Appl. No.:** **29/226,935**

\* cited by examiner

(22) **Filed:** **Apr. 5, 2005**

*Primary Examiner*—Catherine R. Oliver

(51) **LOC (8) Cl.** ..... **22-05**

(52) **U.S. Cl.** ..... **D22/134**

(58) **Field of Classification Search** ..... D22/134,  
D22/137, 140, 147, 149, 199; 43/20, 25,  
43/25.2, 54.1, 57.3; 242/423.2, 223, 303,  
242/404, 598.5, 599, 902

(57) **CLAIM**

The ornamental design for a article of fishing, as shown and described.

See application file for complete search history.

**DESCRIPTION**

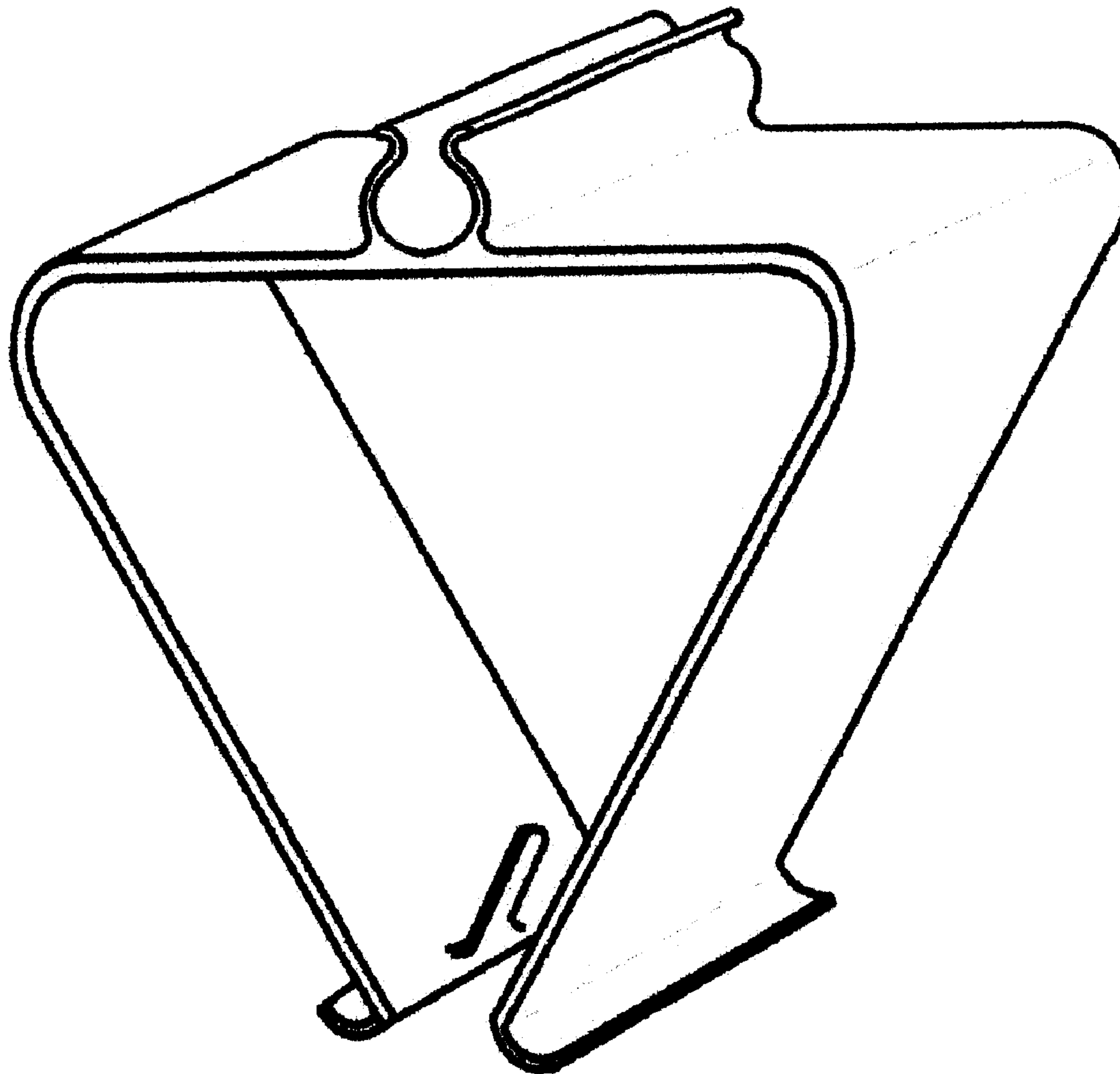
FIG. 1 is the article of fishing according the present invention.

(56) **References Cited**

**U.S. PATENT DOCUMENTS**

2,993,661 A \* 7/1961 Arrigo ..... 242/423.2

**1 Claim, 1 Drawing Sheet**



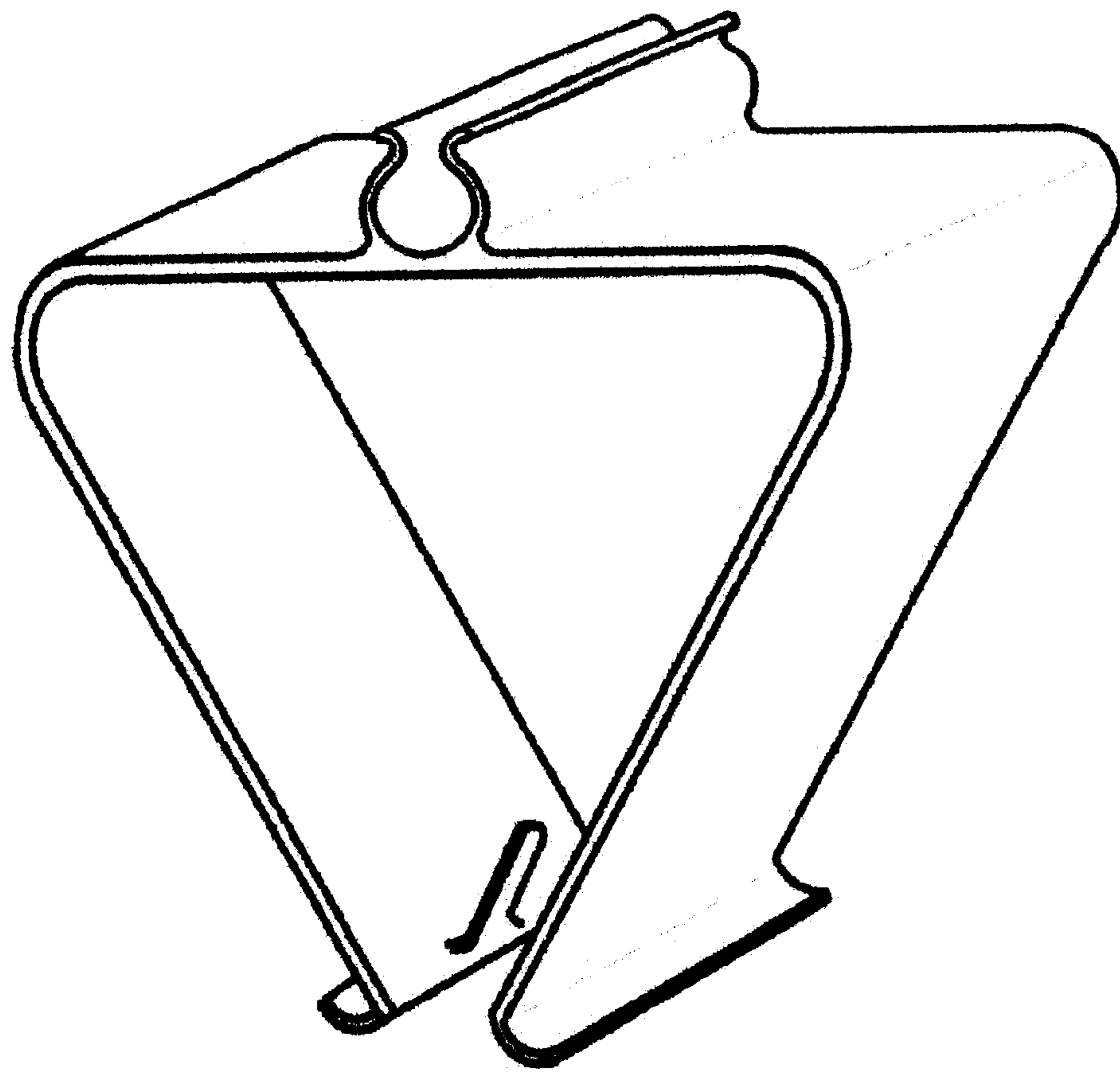


Fig. 1