



US00D533910S

(12) **United States Design Patent** (10) **Patent No.:** **US D533,910 S**  
**Dibble et al.** (45) **Date of Patent:** **\*\* Dec. 19, 2006**

(54) **EXERCISE DEVICE**

(75) Inventors: **Ryan R. Dibble**, Denver, CO (US);  
**Patrick A. Warner**, Boulder, CO (US);  
**Eric D. Golesh**, Thornton, CO (US);  
**Brent Christopher**, Denver, CO (US);  
**Edward L. Flick**, Denver, CO (US)

(73) Assignee: **Nautilus, Inc.**, Vancouver, WA (US)

(\*\*) Term: **14 Years**

(21) Appl. No.: **29/225,514**

(22) Filed: **Mar. 15, 2005**

(51) **LOC (8) Cl.** ..... **21-02**

(52) **U.S. Cl.** ..... **D21/676**

(58) **Field of Classification Search** ..... D21/673,  
D21/674, 676, 675, 662; 482/67, 68, 99,  
482/100, 102, 103, 123, 133, 134, 138  
See application file for complete search history.

(56) **References Cited**

**U.S. PATENT DOCUMENTS**

2,855,199	A	10/1958	Noland et al.
4,231,568	A	11/1980	Riley et al.
4,235,437	A	11/1980	Ruis et al.
4,290,597	A	9/1981	Schleffendorf
4,354,676	A	10/1982	Ariel
RE31,170	E	3/1983	Mazman

(Continued)

**FOREIGN PATENT DOCUMENTS**

DE	198 01 672	A1	11/1998
FR	2627090		8/1989
SU	1743620		6/1992
WO	WO 01/19462	A1	3/2001
WO	WO 01/66195	A2	9/2001

**OTHER PUBLICATIONS**

Nautilus® Home Gyms 2001 brochure, 11 pages (2001).  
Nautilus catalog, 92 pages, undated.  
“Cross Bow by Weider,” manual, ICON Health & Fitness,  
Inc., 22 pages, undated.

“Cross Bow by Weider How Does the Crossbow Stack up Against the Competition”, ICON Health and Fitness located at [http://www.iconfitness.com/crossbow/cb\\_vs\\_bf.html](http://www.iconfitness.com/crossbow/cb_vs_bf.html), 2 pages (retrieved Oct. 22, 2002).

Cyberx World, “New Products Prove Passion for Human Performance,” vol. 10, Issue 2 (Jul. 200).

“Nautilus Home Health & Fitness Catalog,” Nautilus, Inc., pp. 1–56 (2004).

Schwinn Iron Classic Strength Training System by Bowflex® Owner’s Manual, 55 pages (1993).

“Stamina LT–2000 Band Flex Gym”, Stamina Products, Inc., located at Egghead.com, 3 pages (at least as early as Mar. 9, 2001).

*Primary Examiner*—Philip S. Hyder

(74) *Attorney, Agent, or Firm*—Dorsey & Whitney LLP

(57) **CLAIM**

We claim the ornamental design of an exercise device, as shown and described.

**DESCRIPTION**

FIG. 1 is an isometric view of an exercise device showing our new design.

FIG. 2 is a front elevation view of the exercise device of FIG. 1.

FIG. 3 is a right side elevation view of the exercise device of FIG. 1.

FIG. 4 is a rear elevation view of the exercise device of FIG. 1.

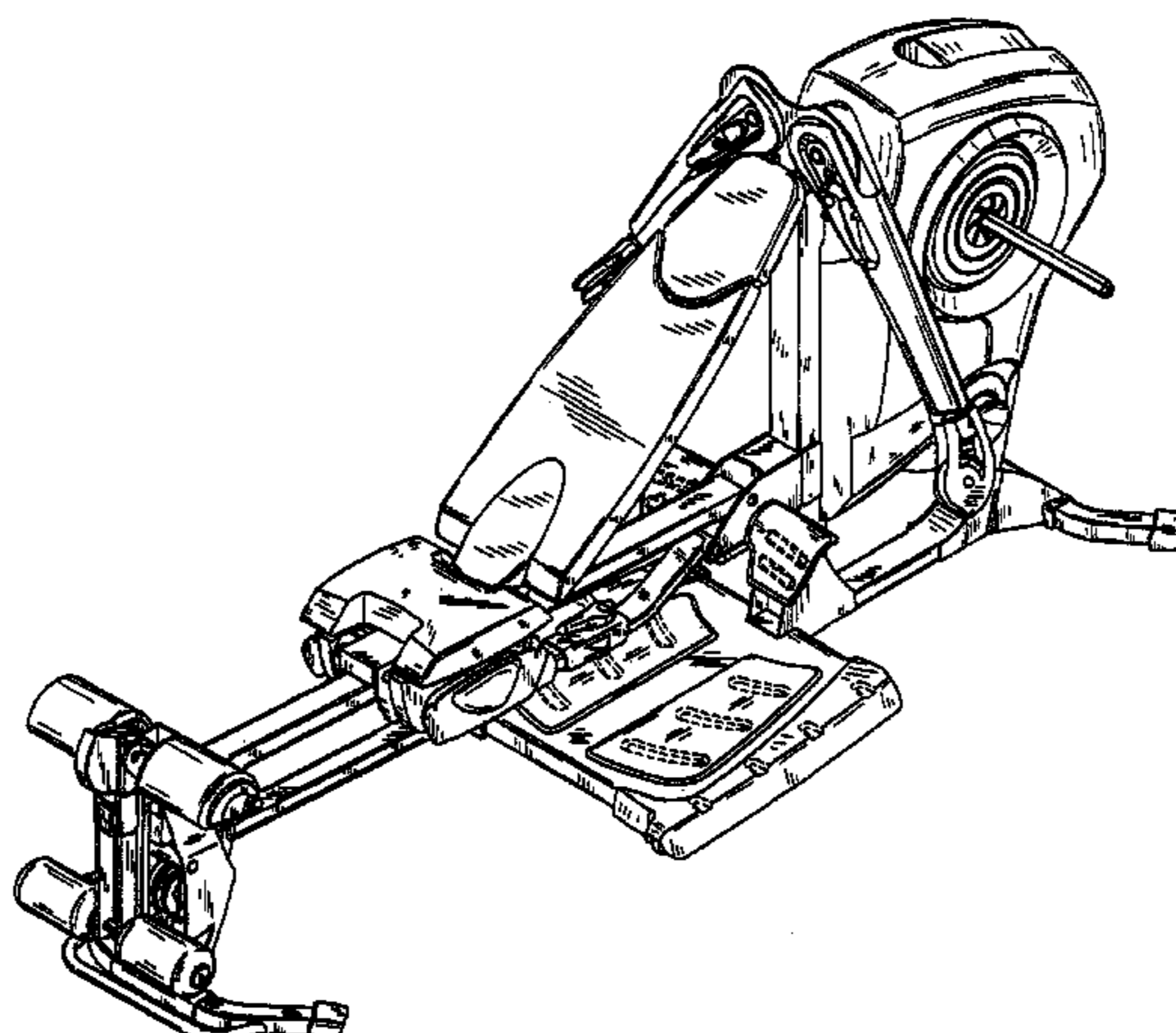
FIG. 5 is a left side elevation view of the exercise device of FIG. 1.

FIG. 6 is a top plan view of the exercise device of FIG. 1; and,

FIG. 7 is an isometric view of the exercise device wherein the seat and the armatures are shown in alternate positions.

The broken lines are for illustrative purposes only and form no part of the claimed design.

**1 Claim, 7 Drawing Sheets**



# US D533,910 S

U.S. PATENT DOCUMENTS					
			6,056,678 A	5/2000	Giannelli et al.
			6,074,328 A	6/2000	Johnson
4,405,128 A	9/1983	McLaughlin et al.	6,126,580 A	10/2000	Francis et al.
4,603,855 A	8/1986	Sebelle	D439,941 S *	4/2001	Batca et al. .... D21/676
4,609,189 A	9/1986	Brasher	6,238,323 B1	5/2001	Simonson
4,634,127 A	1/1987	Rockwell	D444,190 S *	6/2001	Webber ..... D21/675
4,648,594 A	3/1987	Schleffendorf	6,264,586 B1	7/2001	Webber
4,684,125 A	8/1987	Lantz	6,319,178 B1	11/2001	Webber
4,709,918 A	12/1987	Grinblat	D455,803 S	4/2002	Webber
4,709,920 A	12/1987	Schnell	6,364,815 B1	4/2002	Lapcevic
4,793,608 A	12/1988	Mahnke et al.	6,387,020 B1	5/2002	Simonson
4,804,179 A	2/1989	Murphy et al.	6,440,044 B1	8/2002	Francis et al.
4,863,161 A	9/1989	Telle	6,443,877 B1	9/2002	Hoecht et al.
4,869,497 A	9/1989	Stewart et al.	6,447,430 B1	9/2002	Webb et al.
4,902,007 A	2/1990	Ferrari	6,458,061 B1	10/2002	Simonson
4,930,768 A	6/1990	Lapcevic	6,471,624 B1	10/2002	Voris
4,944,511 A	7/1990	Francis	6,488,612 B1	12/2002	Sechrest et al.
4,982,955 A	1/1991	Heasley	6,517,468 B1	2/2003	Lapcevic
5,039,089 A	8/1991	Lapcevic	6,575,881 B1	6/2003	Lapcevic
5,080,351 A	1/1992	Rockwell	6,626,805 B1	9/2003	Lightbody
5,090,694 A	2/1992	Pauls et al.	6,652,426 B1	11/2003	Carter et al.
5,147,265 A	9/1992	Pauls et al.	6,652,429 B1	11/2003	Bushnell
5,209,461 A	5/1993	Whightsil, Sr.	6,685,607 B1	2/2004	Olson
5,217,422 A	6/1993	Domzalski	6,712,740 B1	3/2004	Simonson
D337,666 S	7/1993	Peterson et al.	6,746,378 B1	6/2004	Morris et al.
5,226,867 A	7/1993	Beal	6,746,385 B1	6/2004	Habing
D341,176 S	11/1993	Habing et al.	6,770,017 B1	8/2004	Leipheimer
5,308,303 A	5/1994	Rawls et al.	6,817,968 B1	11/2004	Galbraith et al.
5,308,304 A	5/1994	Habing	D514,174 S *	1/2006	Germantown ..... D21/676
5,312,315 A	5/1994	Mortensen et al.	2002/0025890 A1	2/2002	Keiser
5,344,374 A	9/1994	Telle	2002/0077230 A1	6/2002	Lull et al.
5,354,252 A	10/1994	Habing	2003/0017918 A1	1/2003	Webb et al.
5,356,360 A	10/1994	Johns	2003/0027696 A1	2/2003	Baumier et al.
5,366,432 A	11/1994	Habing et al.	2003/0032524 A1	2/2003	Lamar et al.
5,382,212 A	1/1995	Davenport et al.	2003/0032531 A1	2/2003	Simonson
5,387,170 A	2/1995	Rawls et al.	2003/0045406 A1	3/2003	Stone
D359,326 S *	6/1995	Deola ..... D21/675	2003/0092540 A1	5/2003	Gillen
5,437,589 A	8/1995	Habing	2003/0092541 A1	5/2003	Gianelli
5,554,086 A	9/1996	Habing et al.	2003/0100413 A1	5/2003	Huang
5,616,111 A	4/1997	Randolph	2003/0114281 A1	6/2003	Mackert et al.
5,624,353 A	4/1997	Naidus	2003/0176261 A1	9/2003	Simonson et al.
D380,242 S *	6/1997	Wang et al. .... D21/676	2003/0232707 A1	12/2003	Dalebout et al.
D384,117 S *	9/1997	Piaget et al. .... D21/676	2004/0023762 A1	2/2004	Lull et al.
5,674,167 A	10/1997	Piaget et al.	2004/0063551 A1	4/2004	Lightbody
5,716,308 A	2/1998	Lee	2004/0209748 A1	10/2004	Haneckow
5,733,233 A	3/1998	Webber	2005/0049121 A1	3/2005	Dalebout et al.
5,810,698 A *	9/1998	Hullett et al. .... 482/96	2005/0124470 A1	6/2005	Schopf
5,813,951 A	9/1998	Einsig	2005/0143230 A1	6/2005	Dalebout et al.
5,820,529 A	10/1998	Weintraub	2006/0100069 A1	5/2006	Dibble et al.
5,961,428 A	10/1999	Webber	2006/0116249 A1	6/2006	Dibble et al.
5,967,954 A	10/1999	Habing			
5,993,356 A	11/1999	Houston et al.			

\* cited by examiner

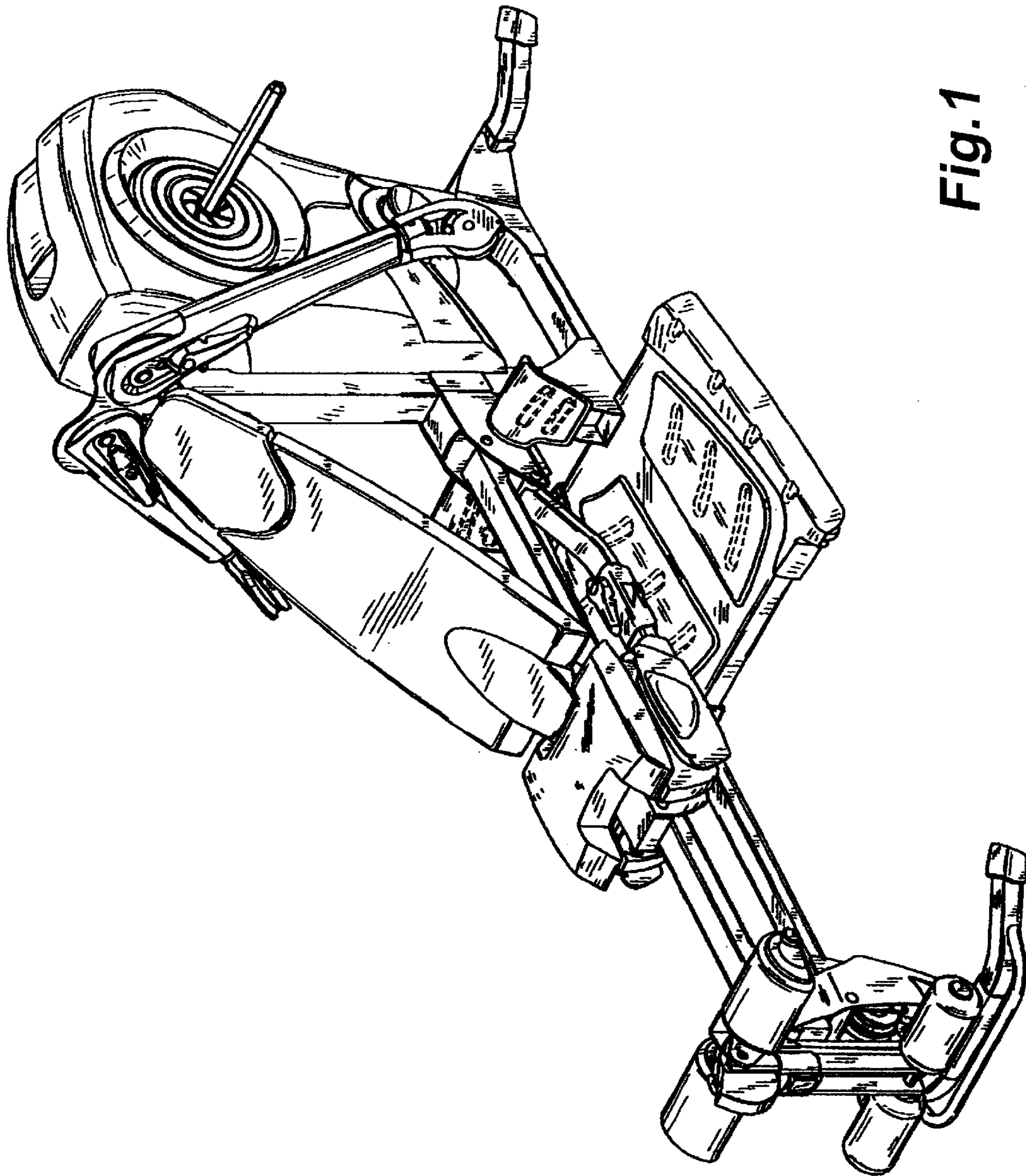
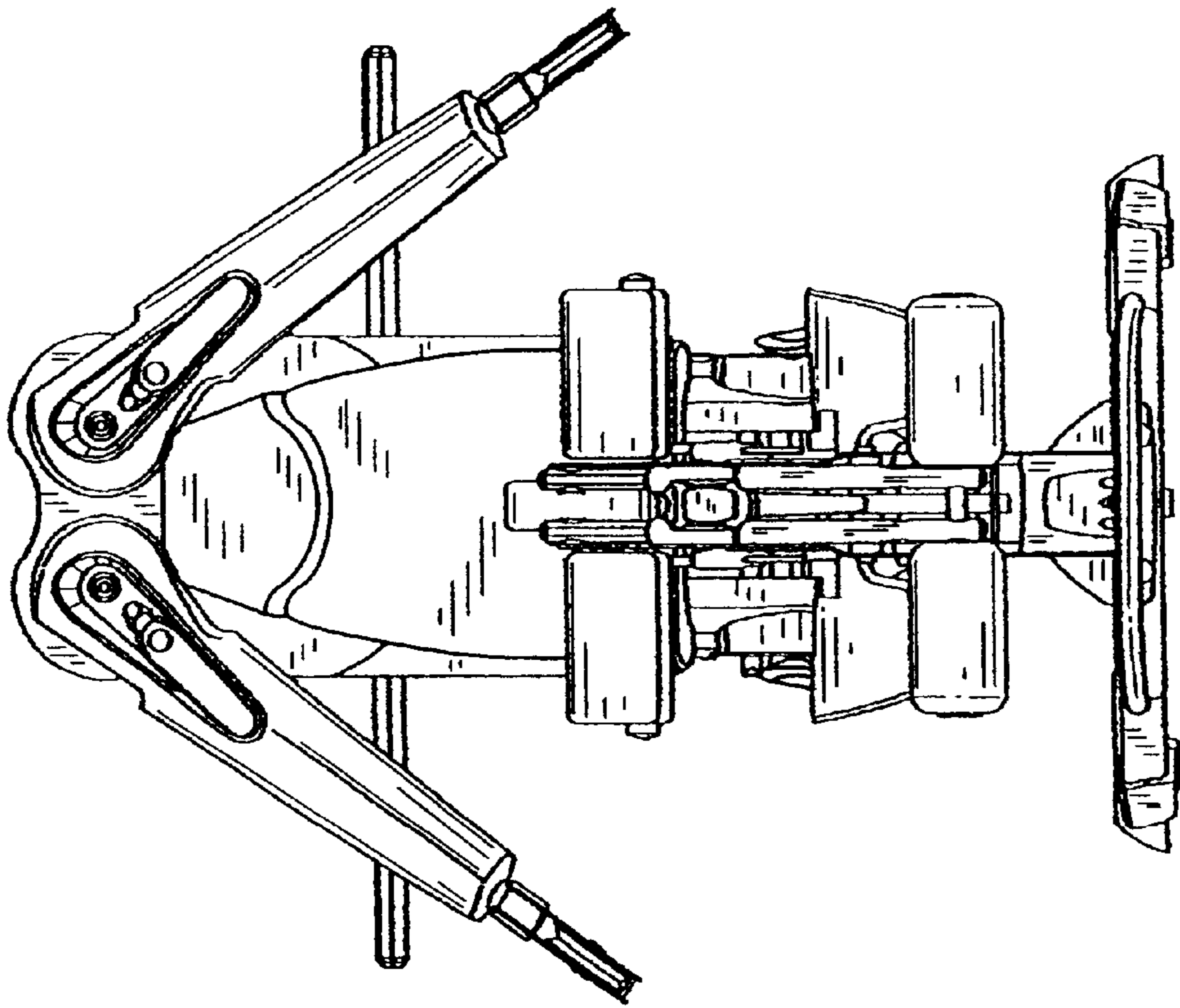


Fig. 1



**Fig. 2**

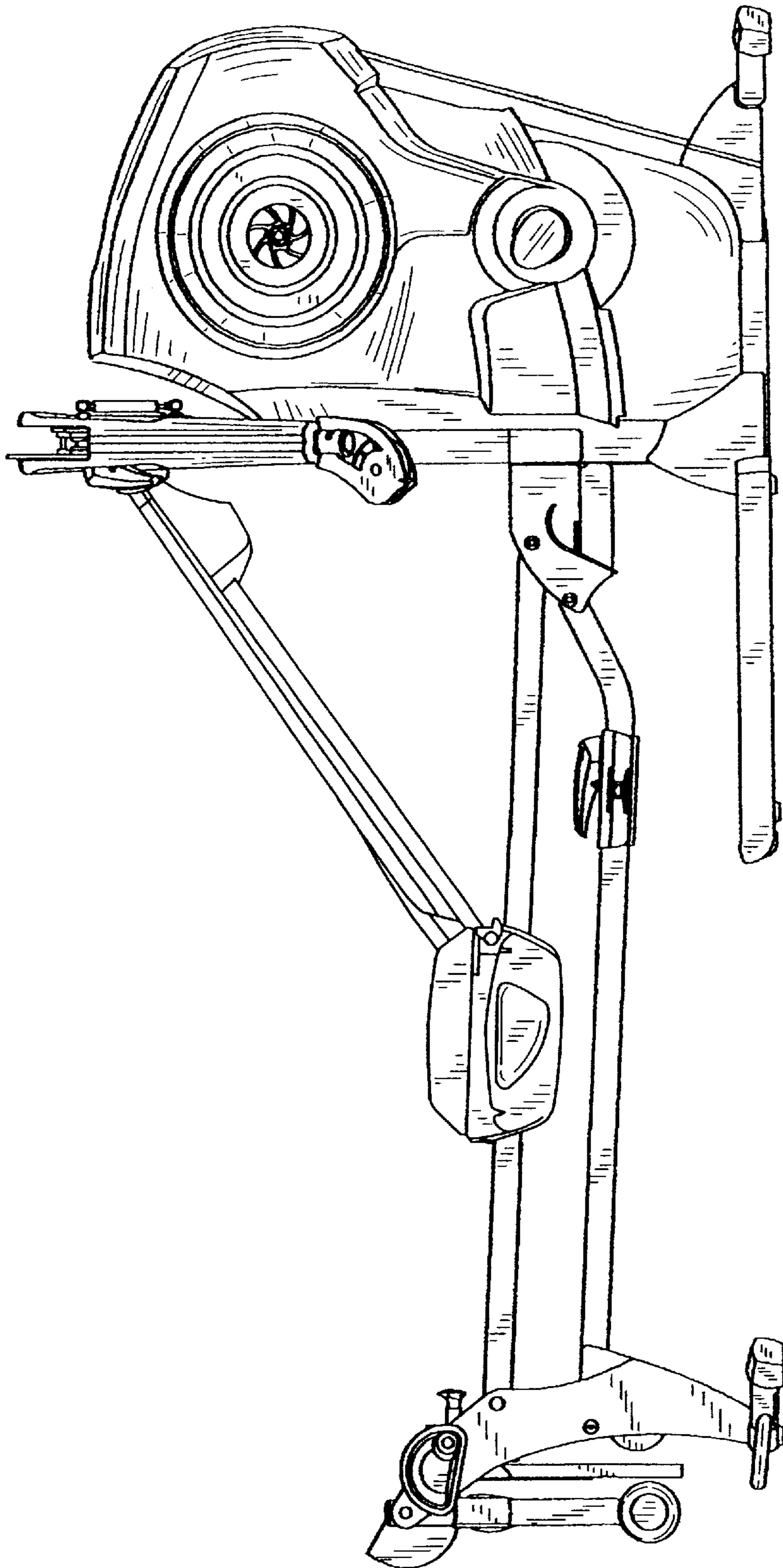
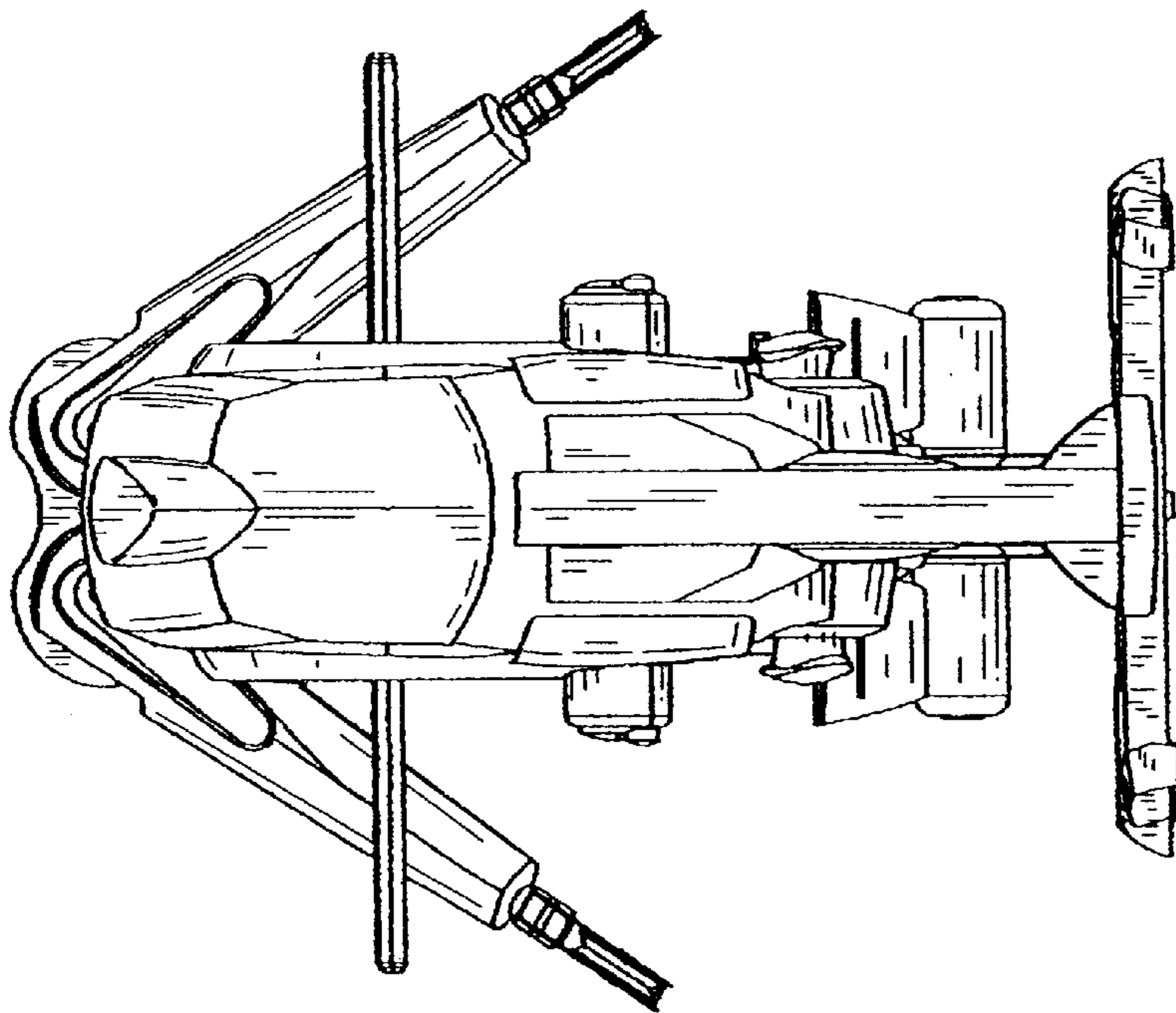


Fig.3



**Fig. 4**

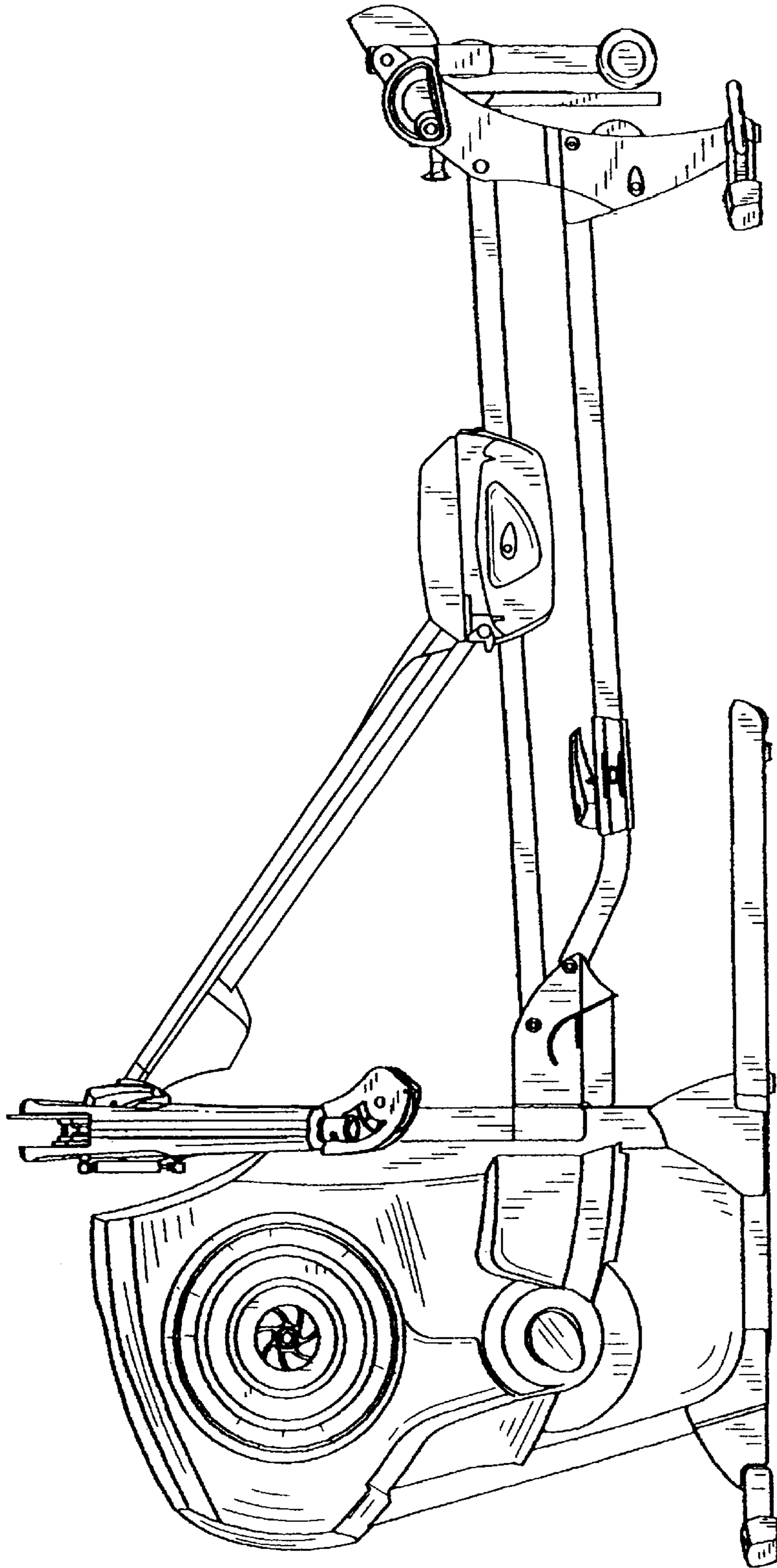
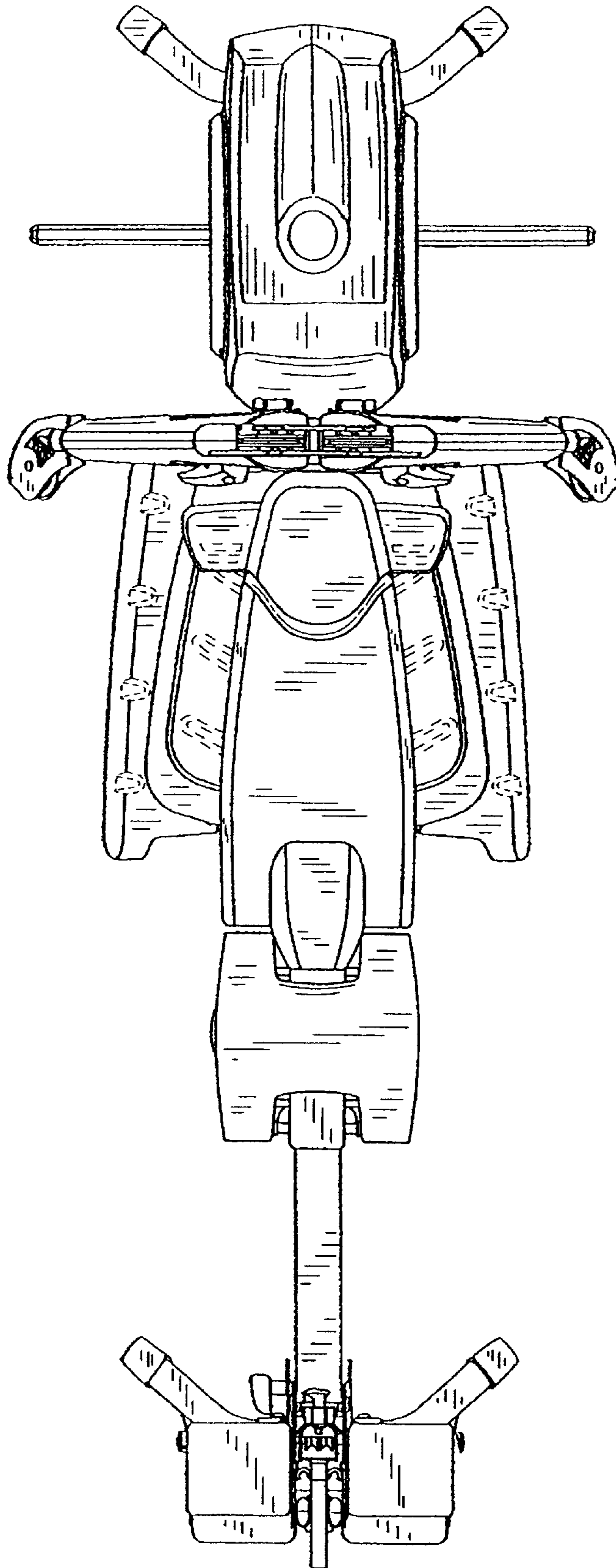


Fig. 5



**Fig. 6**



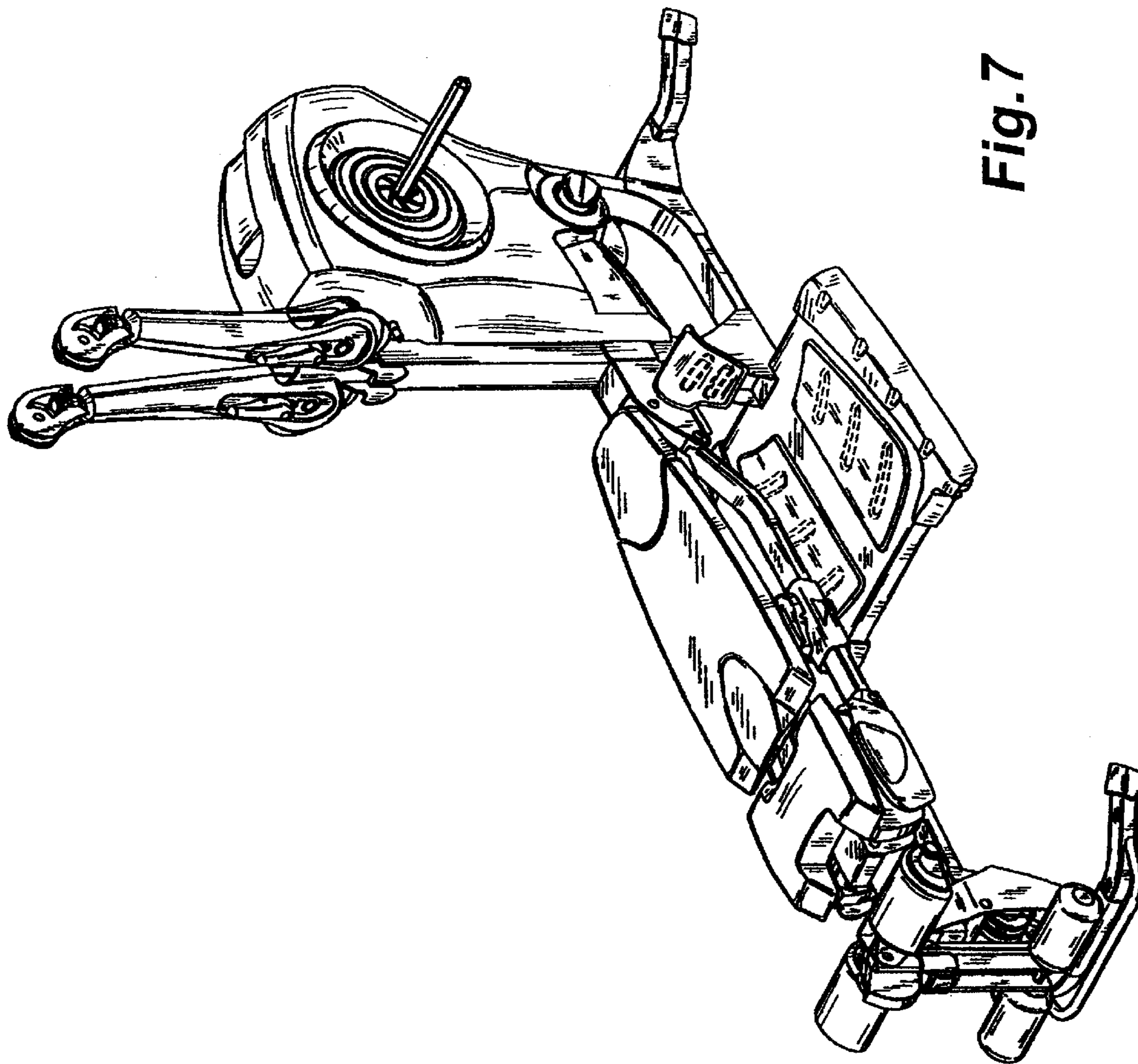


Fig. 7