



US00D533900S

(12) **United States Design Patent**  
**Jones et al.**

(10) **Patent No.:** **US D533,900 S**

(45) **Date of Patent:** **\*\* Dec. 19, 2006**

(54) **INK STICK FOR PHASE CHANGE INK JET PRINTER**

(75) Inventors: **Brent R. Jones**, Tualatin, OR (US);  
**Jon C. Malmberg**, Hood River, OR (US)

(73) Assignee: **Xerox Corporation**, Stamford, CT (US)

(\*\*) Term: **14 Years**

(21) Appl. No.: **29/238,869**

(22) Filed: **Sep. 22, 2005**

(51) **LOC (8) Cl.** ..... **18-02**

(52) **U.S. Cl.** ..... **D18/56**

(58) **Field of Classification Search** ..... D18/40,  
D18/43, 56; 347/88, 89; 106/31.29, 31.61  
See application file for complete search history.

(56) **References Cited**

**U.S. PATENT DOCUMENTS**

D383,153 S	*	9/1997	Jones et al.	.....	D18/56
D415,193 S	*	10/1999	Jones	.....	D18/56
D440,248 S	*	4/2001	Mattern et al.	.....	D18/56
D453,786 S	*	2/2002	Mattern	.....	D18/56
D479,368 S	*	9/2003	Jones	.....	D18/56

6,672,716 B1	*	1/2004	Jones	.....	347/88
6,722,764 B1	*	4/2004	Jones et al.	.....	347/88
D500,783 S	*	1/2005	Jones et al.	.....	D18/56
D500,784 S	*	1/2005	Jones et al.	.....	D18/56
D500,785 S	*	1/2005	Jones et al.	.....	D18/56
6,893,121 B1	*	5/2005	Jones	.....	347/88
D505,974 S	*	6/2005	Jones et al.	.....	347/88

\* cited by examiner

*Primary Examiner*—Cathy Anne MacCormac

(74) *Attorney, Agent, or Firm*—Tallam I. Nguti

(57) **CLAIM**

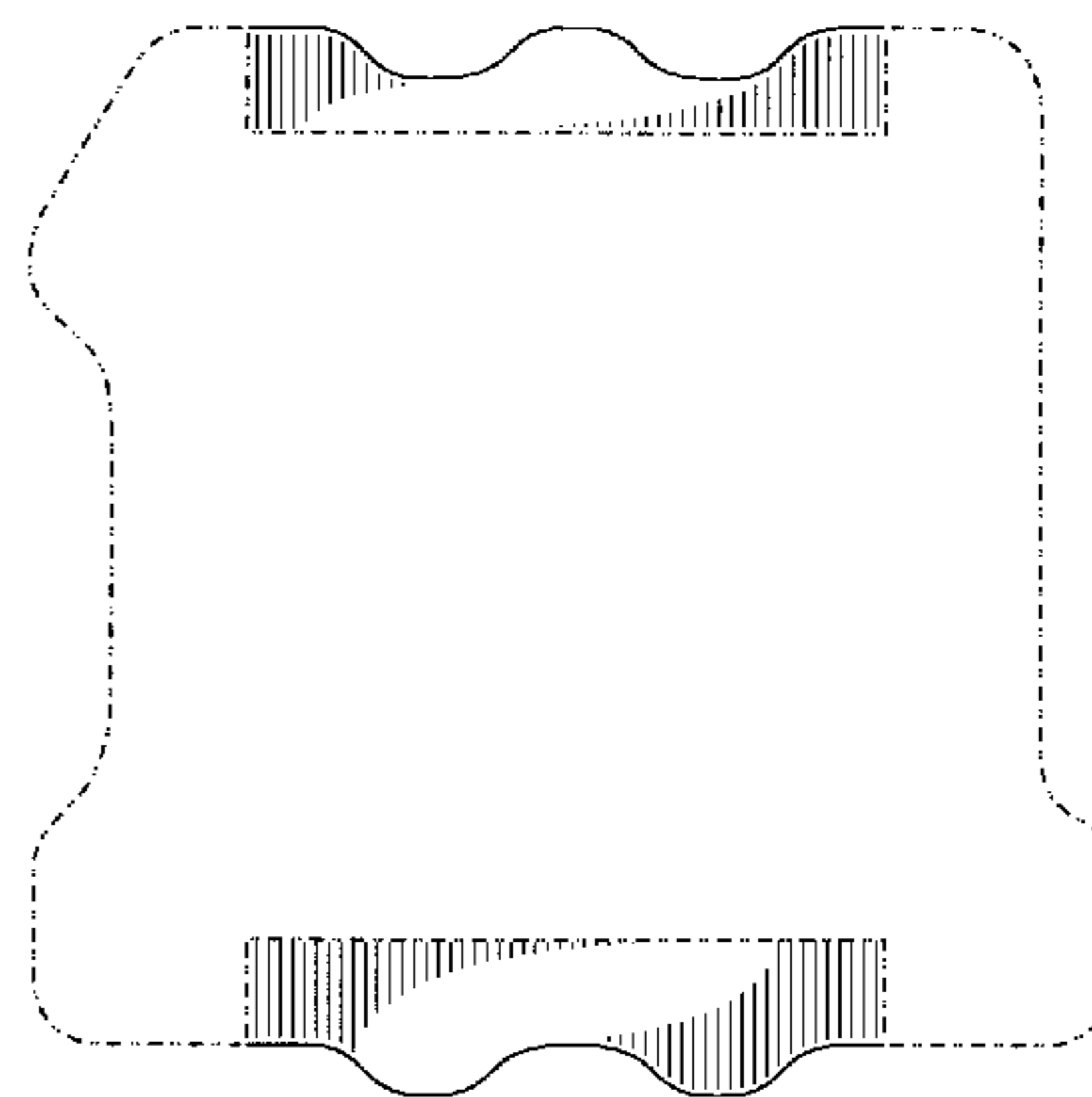
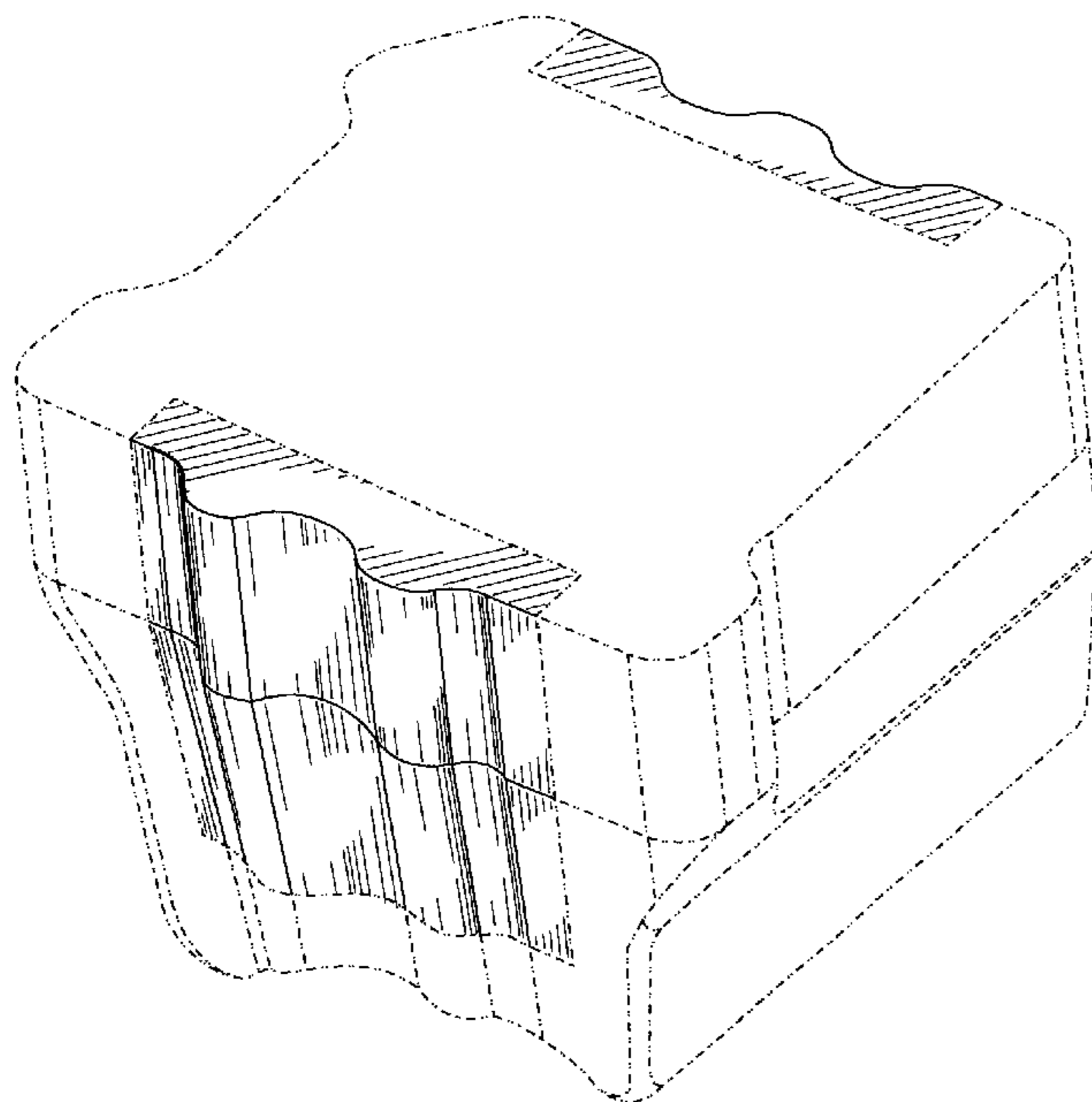
The ornamental design for an ink stick for phase change ink jet printer, as shown and described.

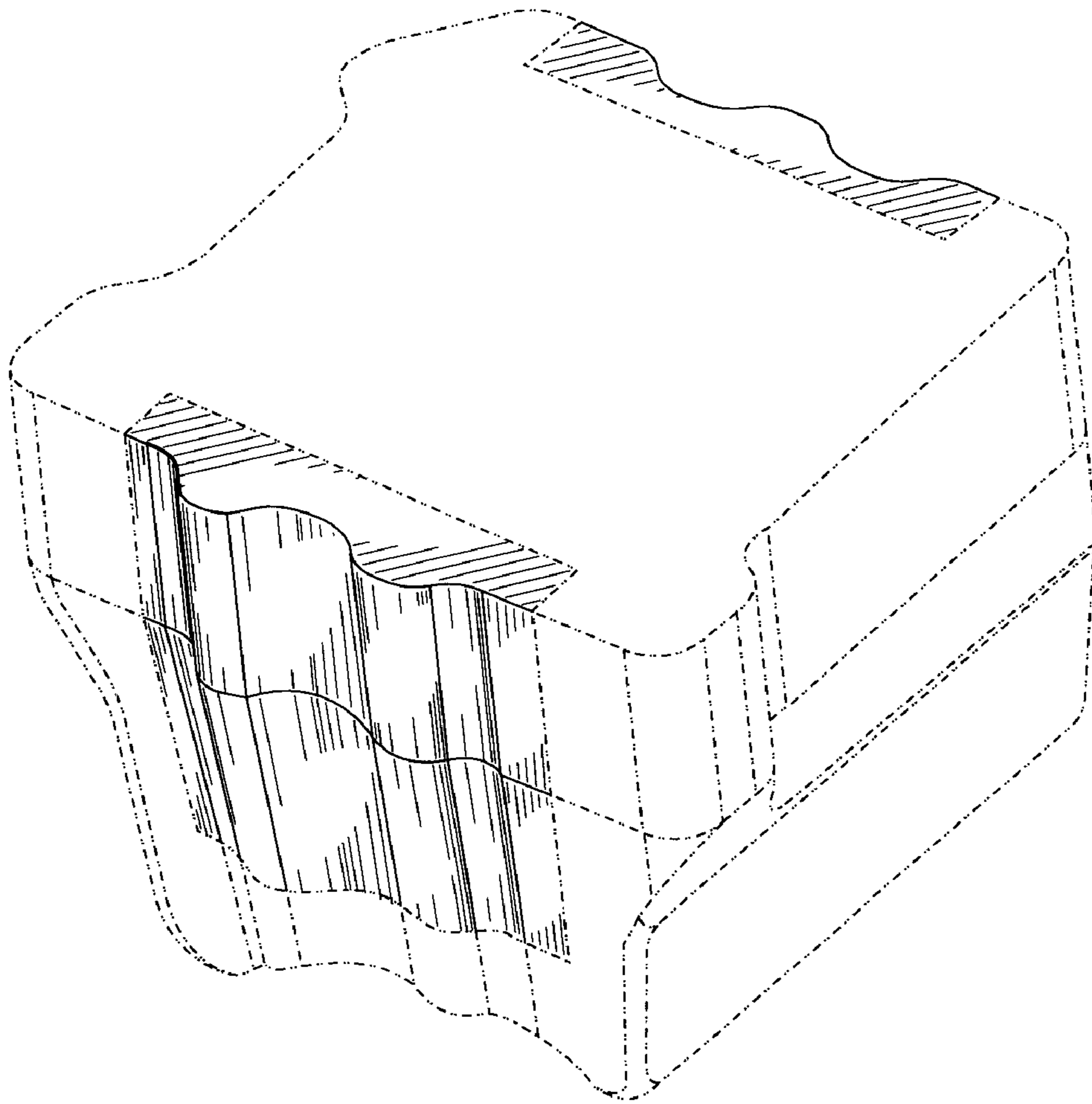
**DESCRIPTION**

FIG. 1 is a perspective view of an ink stick for phase change ink jet printer illustrating the new design; FIG. 2 is a front elevational view thereof; FIG. 3 is a right side elevational view thereof; FIG. 4 is a rear elevational view thereof; FIG. 5 is a left side elevational view thereof; FIG. 6 is a top plan view thereof; and, FIG. 7 is a bottom plan view thereof.

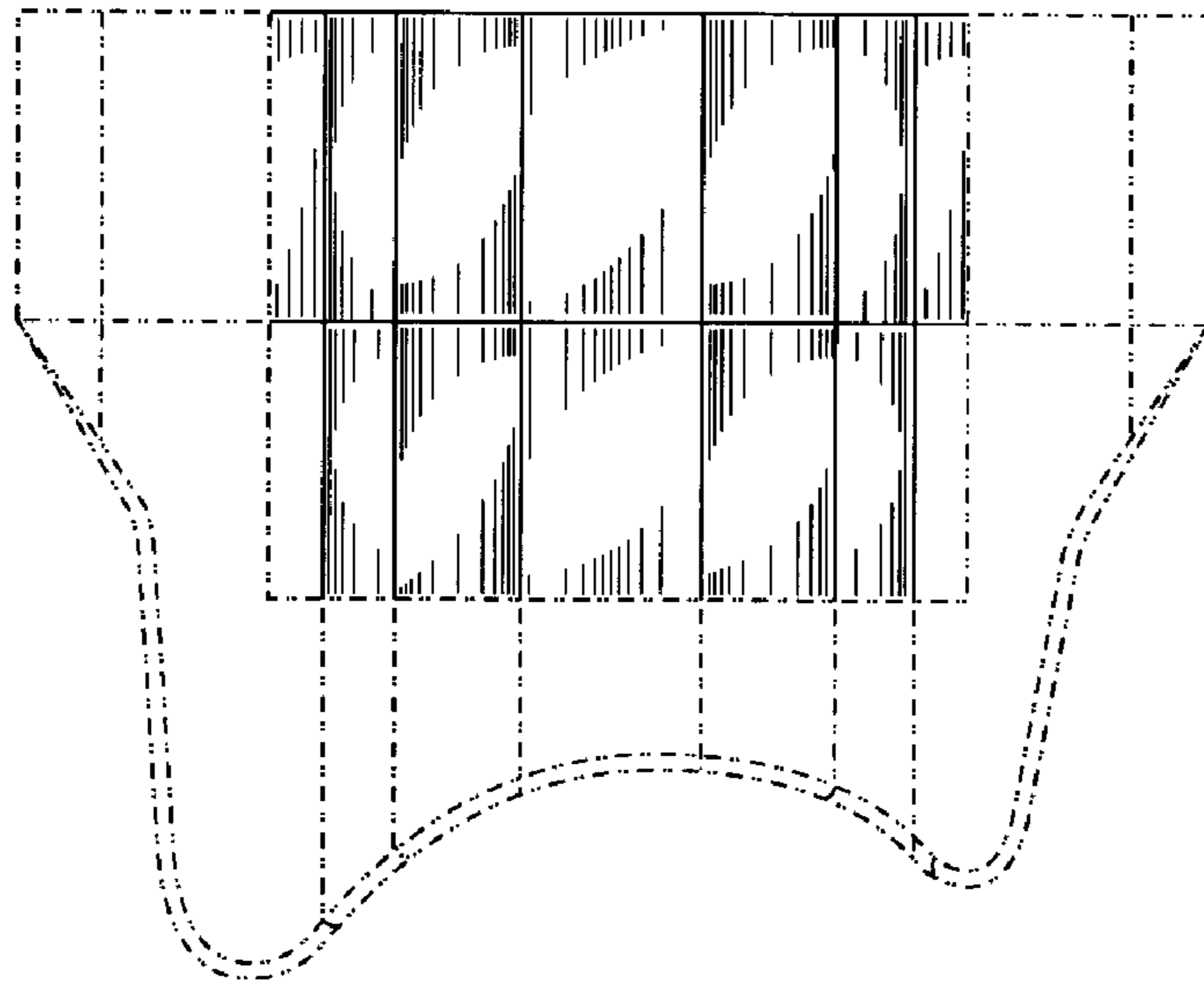
The broken lines are for illustrative purposes only and form no part of the claimed design.

**1 Claim, 4 Drawing Sheets**

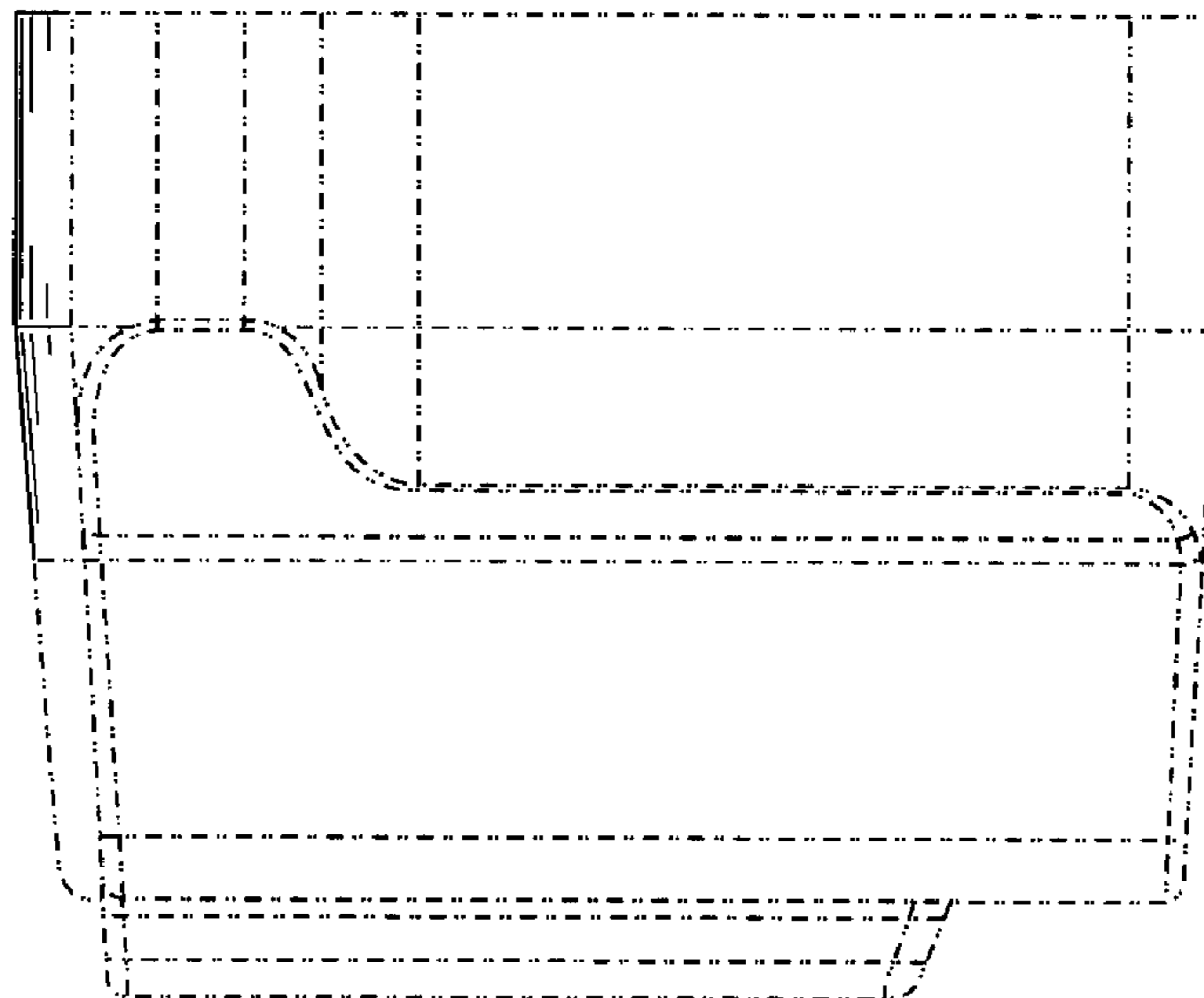




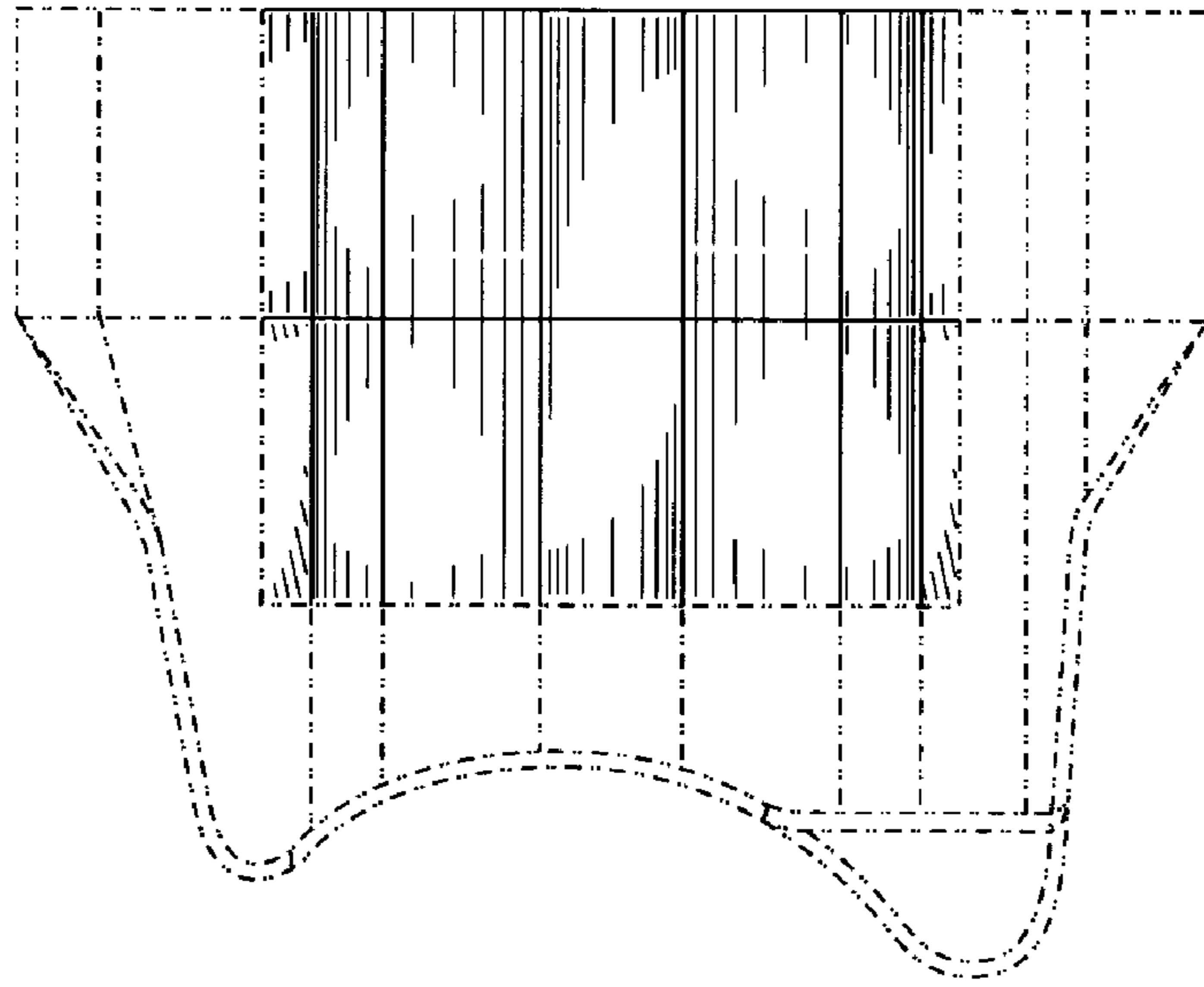
**FIG. 1**



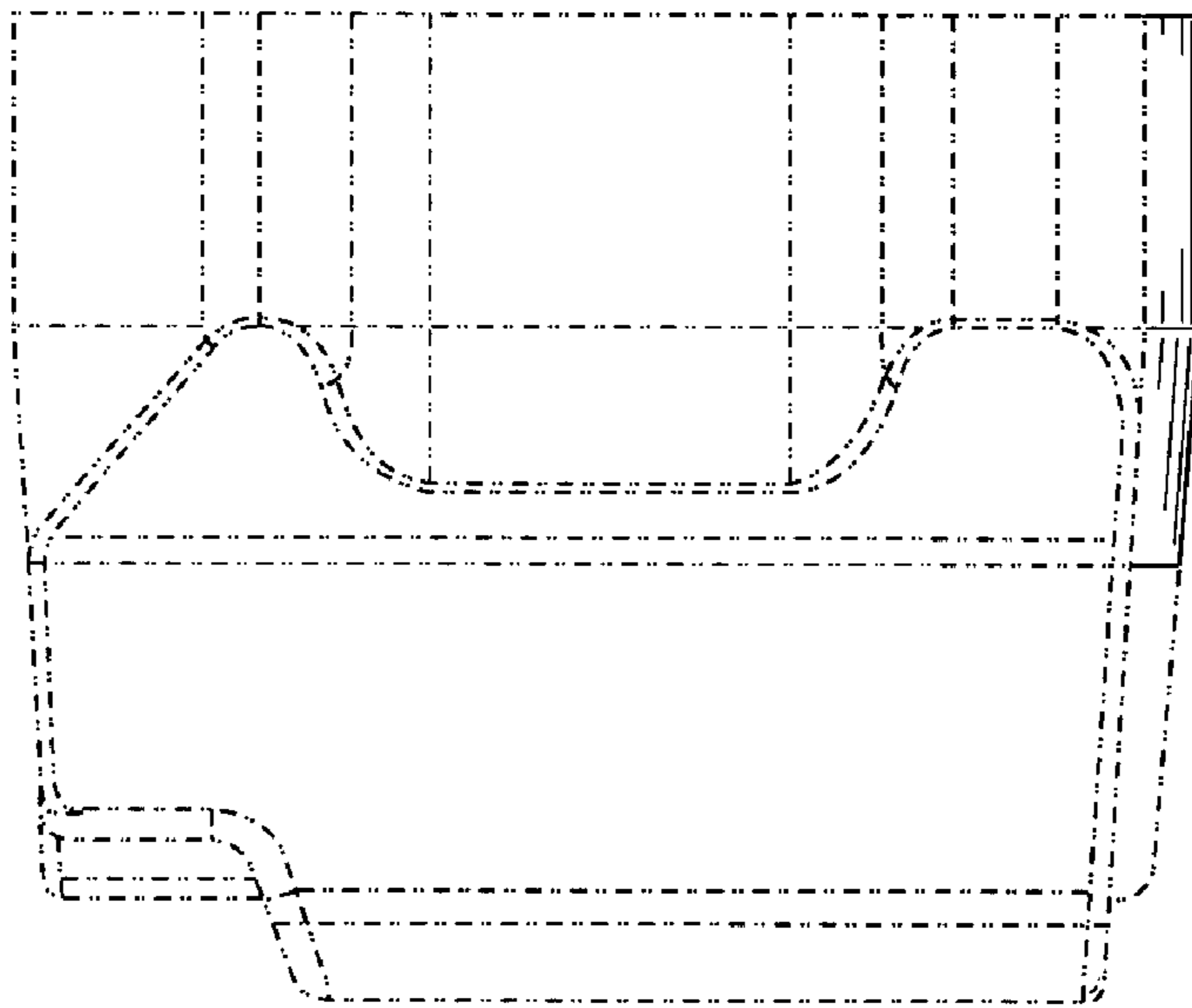
**FIG. 2**



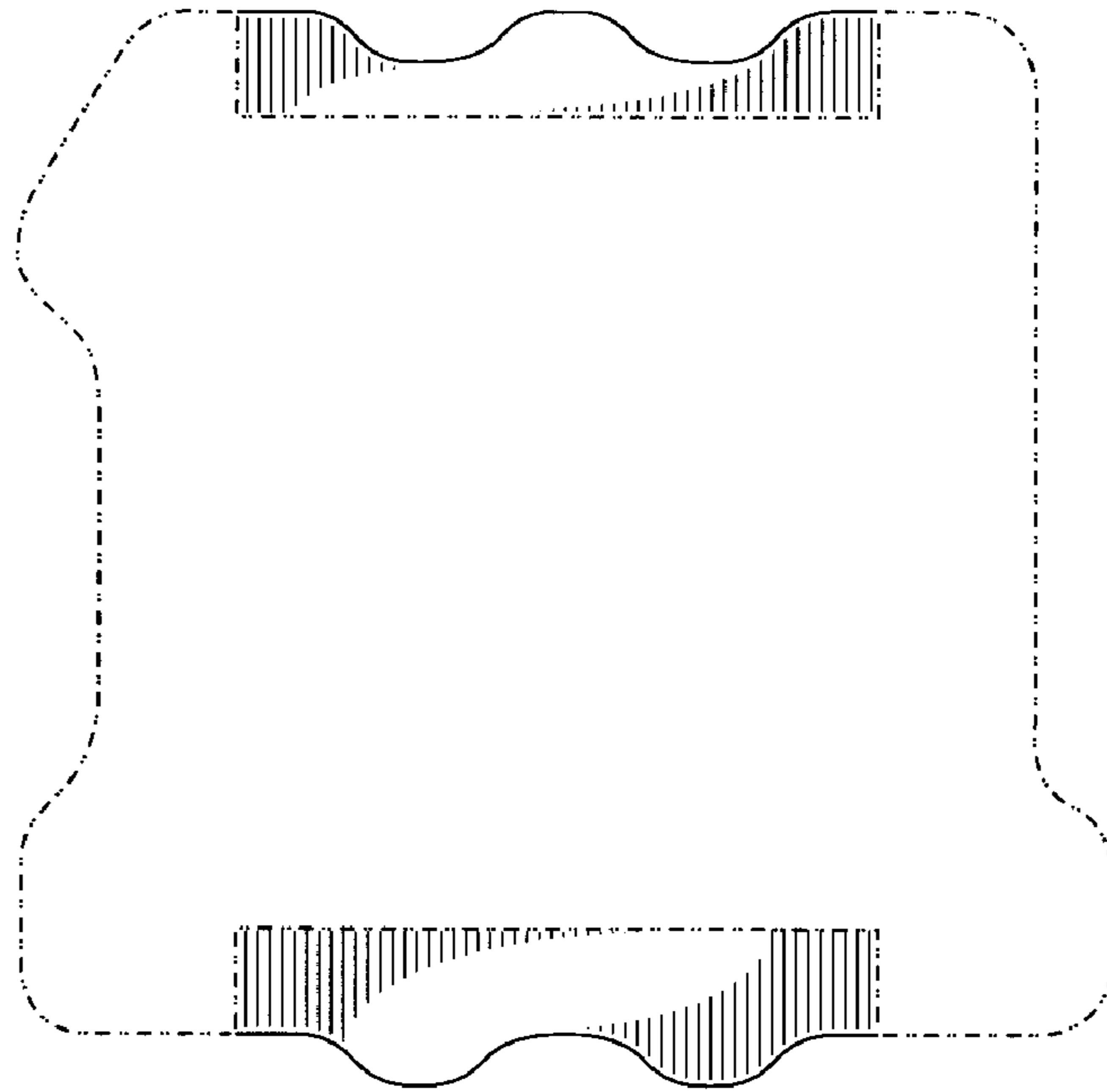
**FIG. 3**



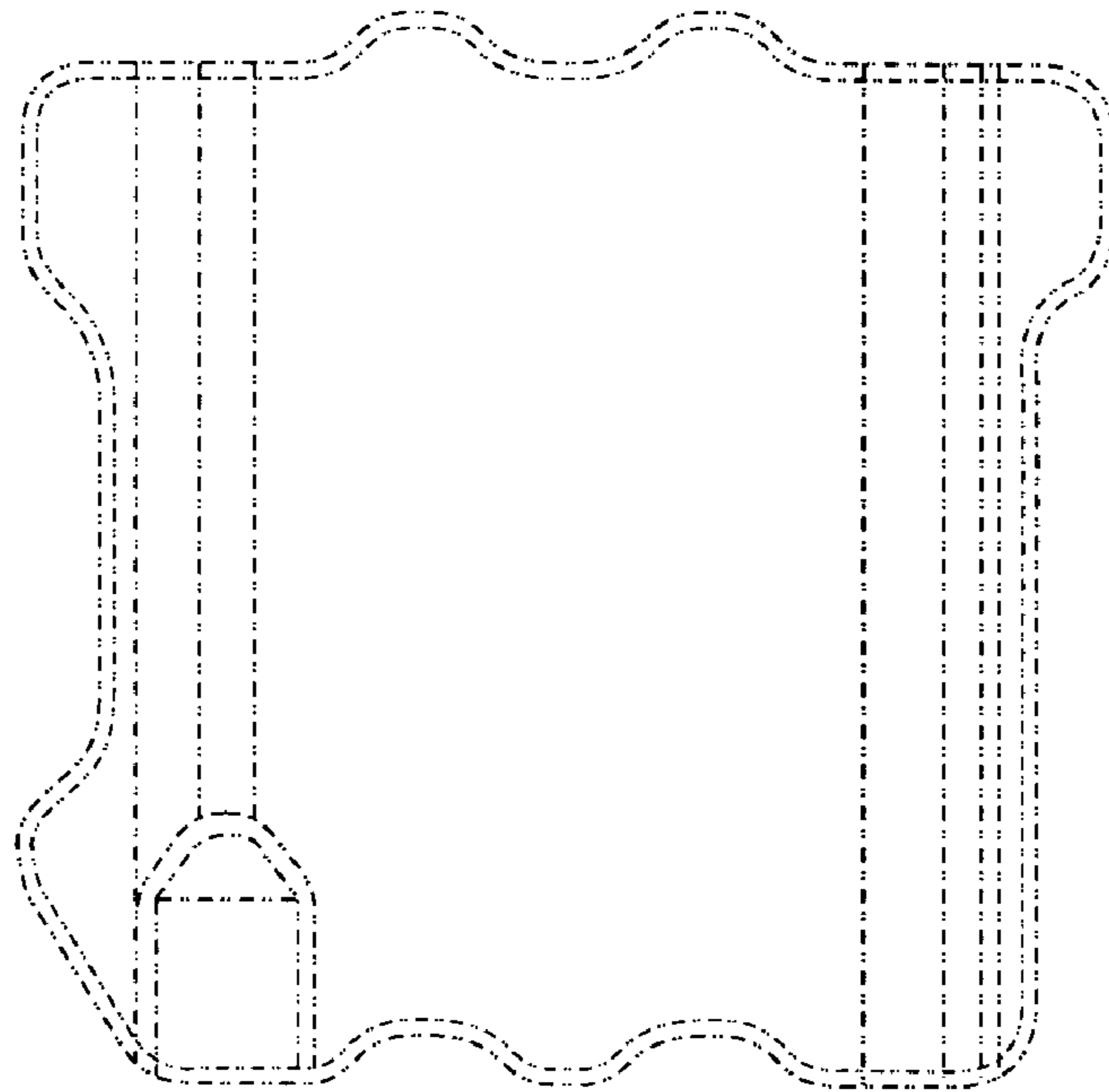
**FIG. 4**



**FIG. 5**



**FIG. 6**



**FIG. 7**