



US00D533899S

(12) **United States Design Patent**
Ohashi et al.

(10) **Patent No.:** **US D533,899 S**

(45) **Date of Patent:** **** Dec. 19, 2006**

(54) **HUB FOR A PRINTING PAPER ROLL**

(75) Inventors: **Morio Ohashi**, Ibaraki-ken (JP); **Kinya Ono**, Ibaraki-ken (JP)

(73) Assignee: **Riso Kagaku Corporation**, Tokyo (JP)

(**) Term: **14 Years**

(21) Appl. No.: **29/201,580**

(22) Filed: **Mar. 18, 2004**

(30) **Foreign Application Priority Data**

Sep. 18, 2003 (JP) 2003-027210

(51) **LOC (8) Cl.** **18-02**

(52) **U.S. Cl.** **D18/56**

(58) **Field of Classification Search** D18/12,
D18/43, 56, 58, 99; 400/207, 208, 236, 236.2;
D13/182; 347/29; 101/476; 118/211; D15/143
See application file for complete search history.

(56) **References Cited**

U.S. PATENT DOCUMENTS

- D214,338 S * 6/1969 Stone D15/143
- D258,828 S * 4/1981 Zrobek D18/58
- D289,518 S * 4/1987 Kikuchi D14/484
- D359,476 S * 6/1995 Sakashita et al. D13/182
- 5,526,030 A * 6/1996 Baldwin et al. D18/56

- D417,886 S * 12/1999 Sakuta et al. D18/56
- D457,183 S * 5/2002 Stouffer D18/56
- D473,262 S * 4/2003 Christensen et al. D18/56
- D511,186 S * 11/2005 Neri et al. D18/56

* cited by examiner

Primary Examiner—Louis S. Zarfes

Assistant Examiner—Anhdao Doan

(74) *Attorney, Agent, or Firm*—Frommer Lawrence & Haug LLP; Matthew K. Ryan, Esq.

(57) **CLAIM**

We claim an ornamental design for a hub for a printing paper roll, as shown and described.

DESCRIPTION

FIG. 1 is an enlarged perspective view of a hub for a printing paper roll showing our new design; FIG. 2 is a left side elevation view thereof; FIG. 3 is a right side elevation view thereof; FIG. 4 is an enlarged partial cross-sectional view thereof taken along the line 4—4 of FIG. 2; and, FIG. 5 is a cross sectional-view similar to FIG. 4 shown in a state in which a hub for a printing paper roll is fitted to an end of a printing paper roll.

The broken lines in the drawings are for illustrative purposes only and form no part of the claimed design.

1 Claim, 5 Drawing Sheets

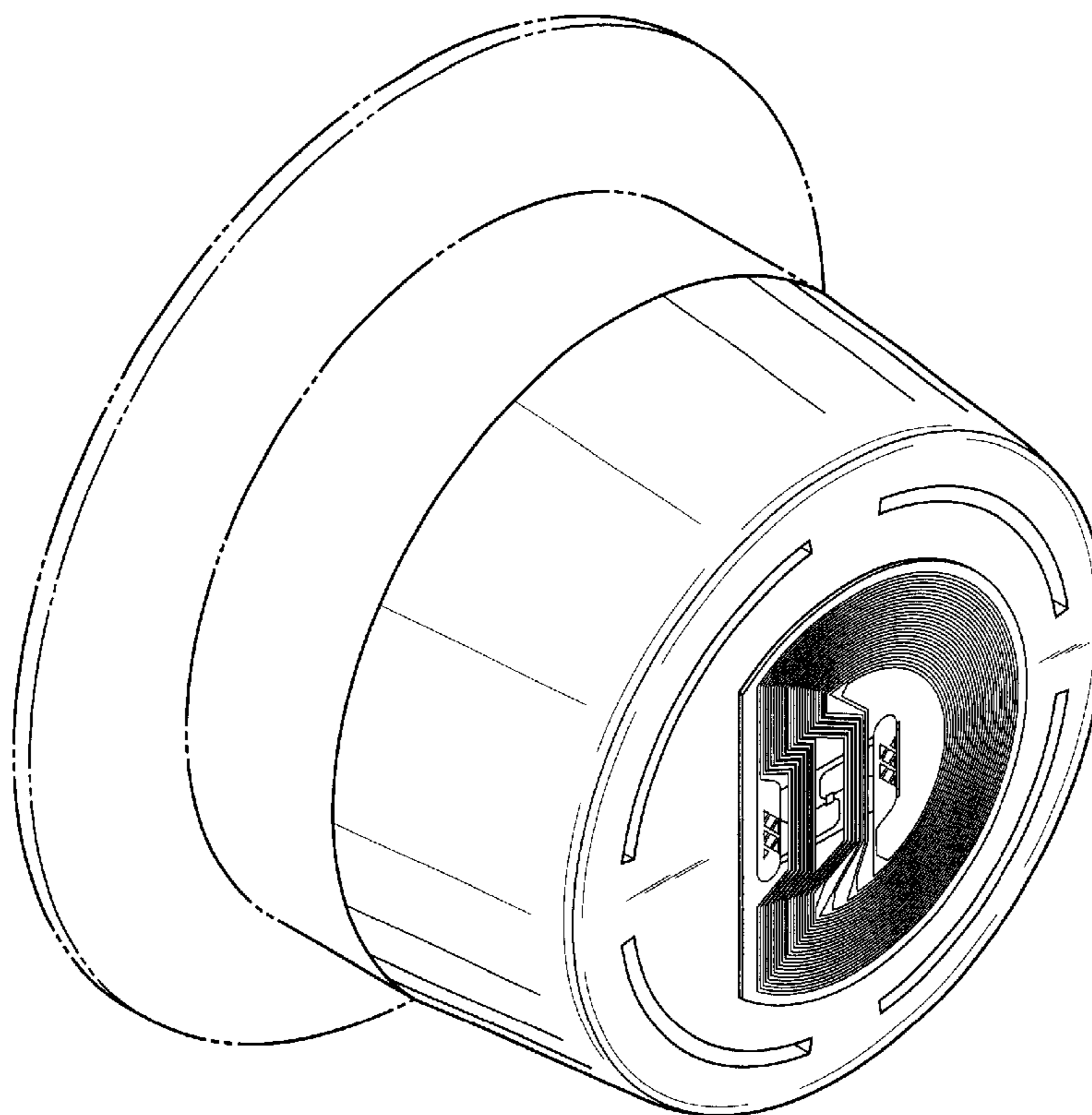


FIG.1

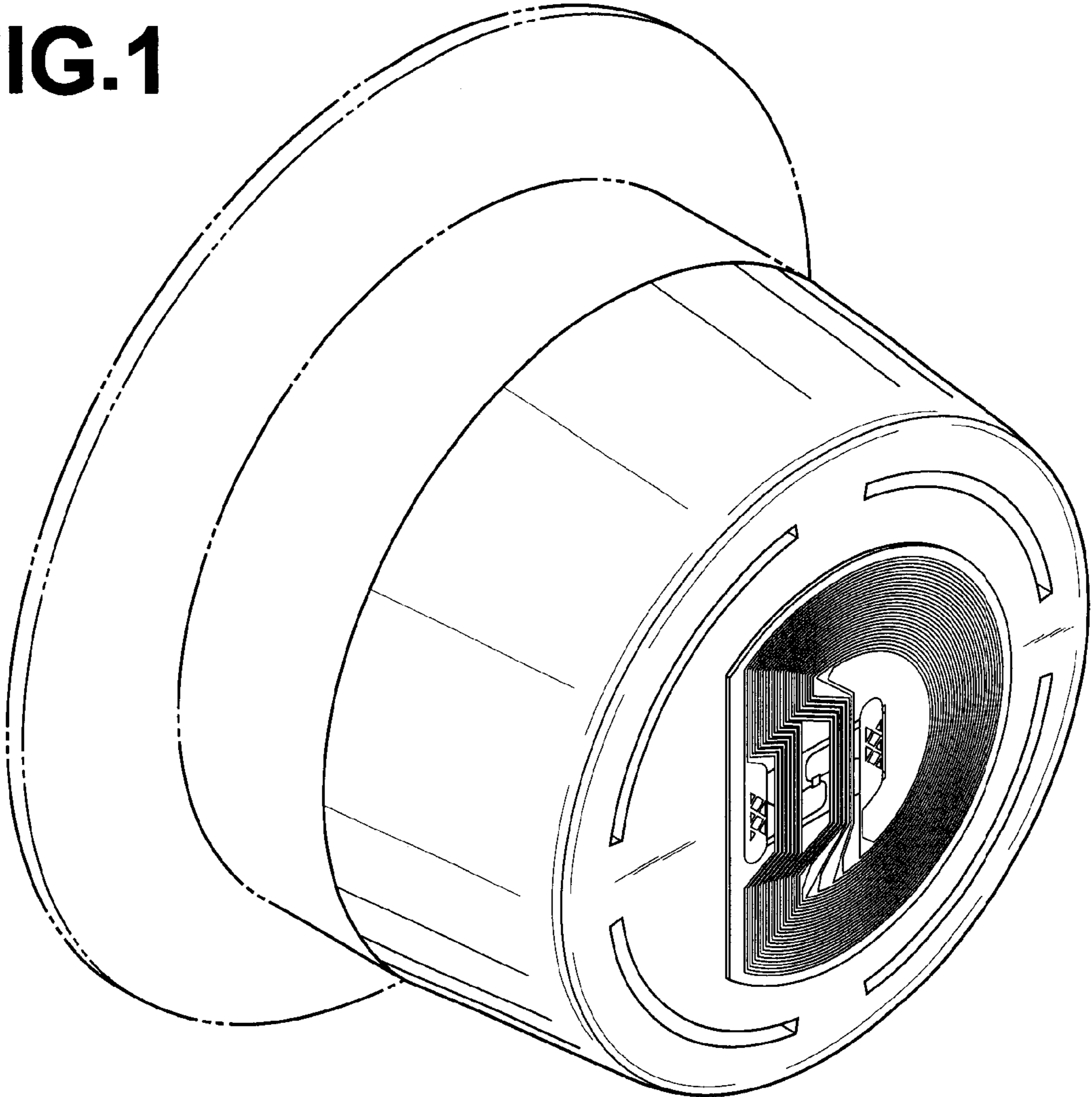


FIG.2

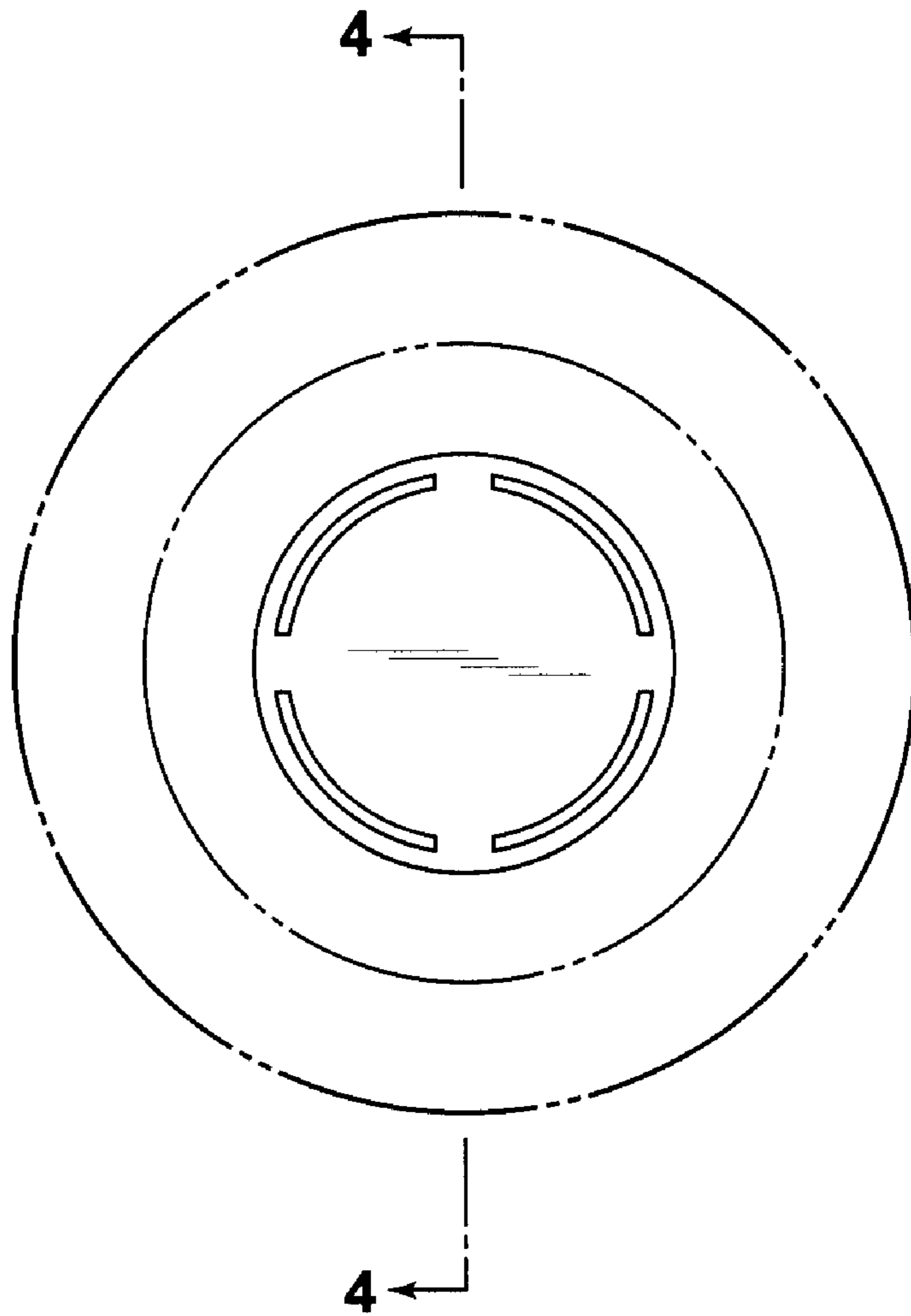


FIG.3

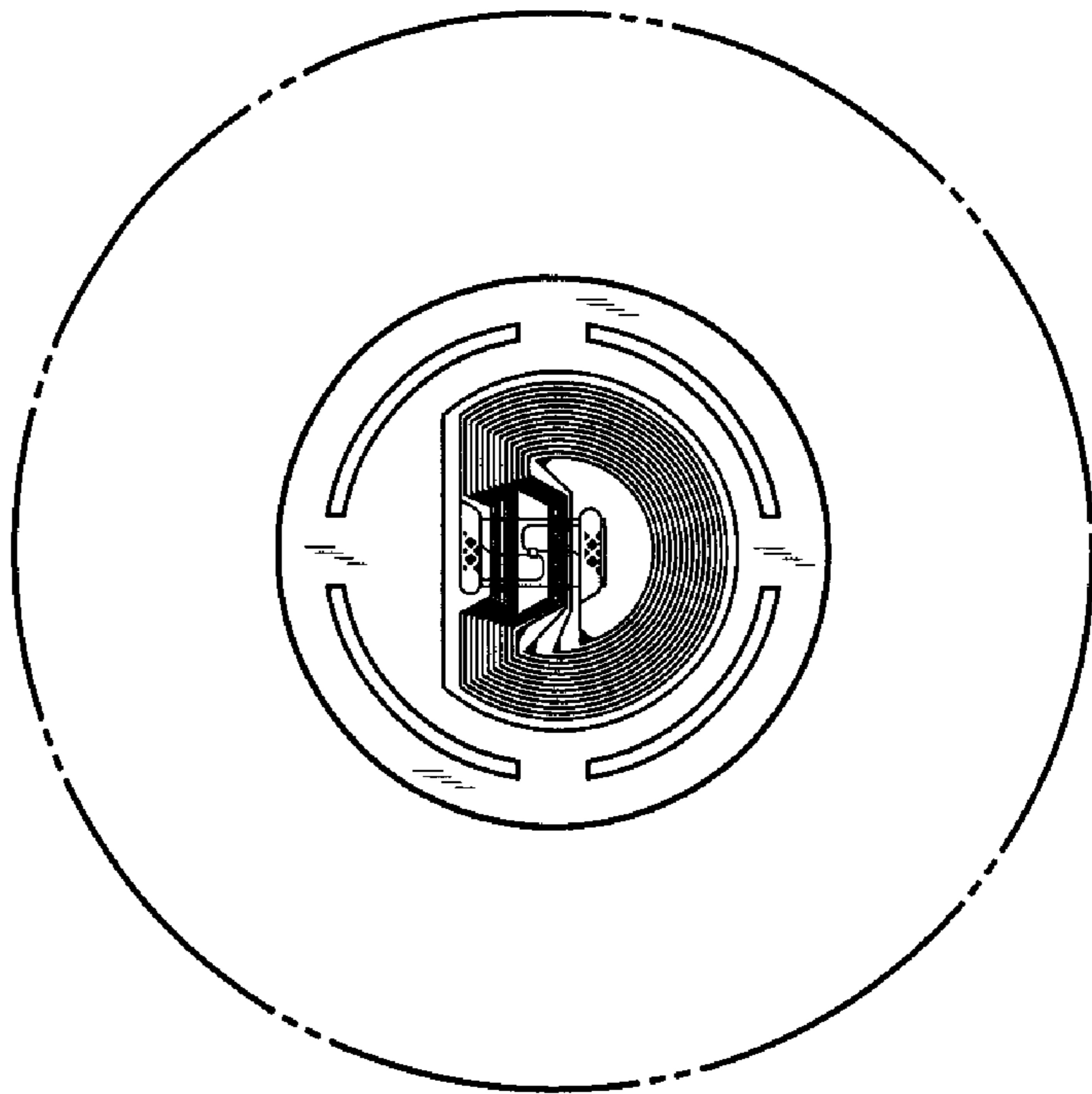


FIG.4

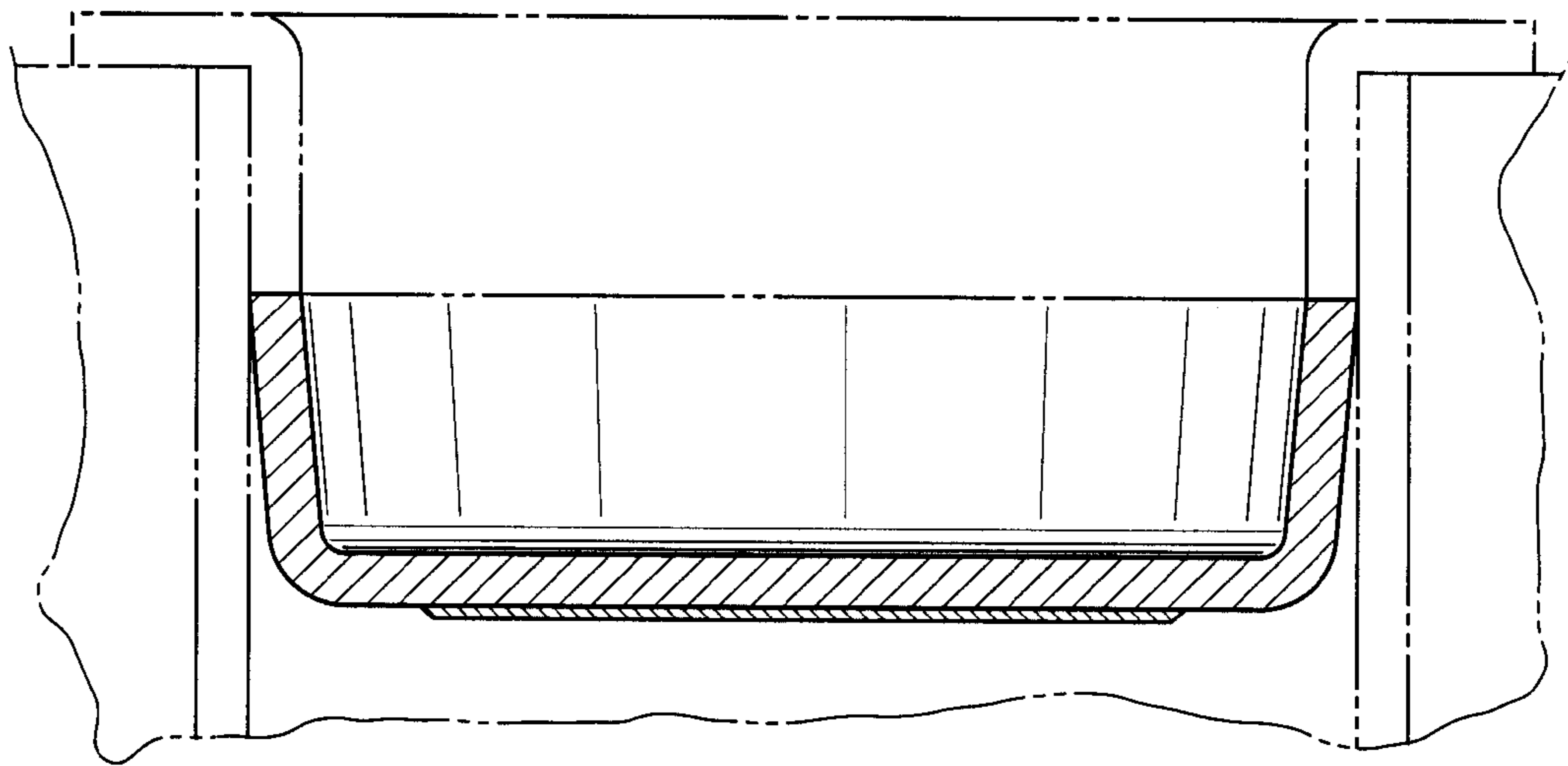


FIG.5

