



US00D533898S

(12) **United States Design Patent**
Cox et al.

(10) **Patent No.:** **US D533,898 S**
(45) **Date of Patent:** **** Dec. 19, 2006**

(54) **COMBINED PAPER CUTTING AND TRIMMING APPARATUS AND DECORATIVE-EDGED CUTTING SHEARS**

D387,377 S * 12/1997 Daley, Jr. D18/34.8
D391,822 S * 3/1998 Applebaum D8/98
D403,567 S * 1/1999 Glesser D8/98
6,098,515 A * 8/2000 Daley, Jr. 83/614

(76) Inventors: **James G. Cox**, 1240 S. Sederberg, Glendora, CA (US) 91740; **David M. Johnson**, 1045 Bonnie Brae, Ontario, CA (US) 91762

* cited by examiner

Primary Examiner—Charles A. Rademaker
(74) *Attorney, Agent, or Firm*—Eric Hanscom

(**) Term: **14 Years**

(57) **CLAIM**

(21) Appl. No.: **29/215,309**

The ornamental design for a combined paper cutting and trimming apparatus and decorative-edged cutting shears, as shown and described.

(22) Filed: **Oct. 18, 2004**

(51) **LOC (8) Cl.** **18-04**

(52) **U.S. Cl.** **D18/34.7**; D8/95

(58) **Field of Classification Search** D18/34.7, D18/34.8, 99; D15/127, 141; 241/100, 236; 156/147, 149, 578, 908; 281/27.1, 27.2, 27.3, 281/21.2; 83/607, 614; D8/95, 98; D7/696
See application file for complete search history.

DESCRIPTION

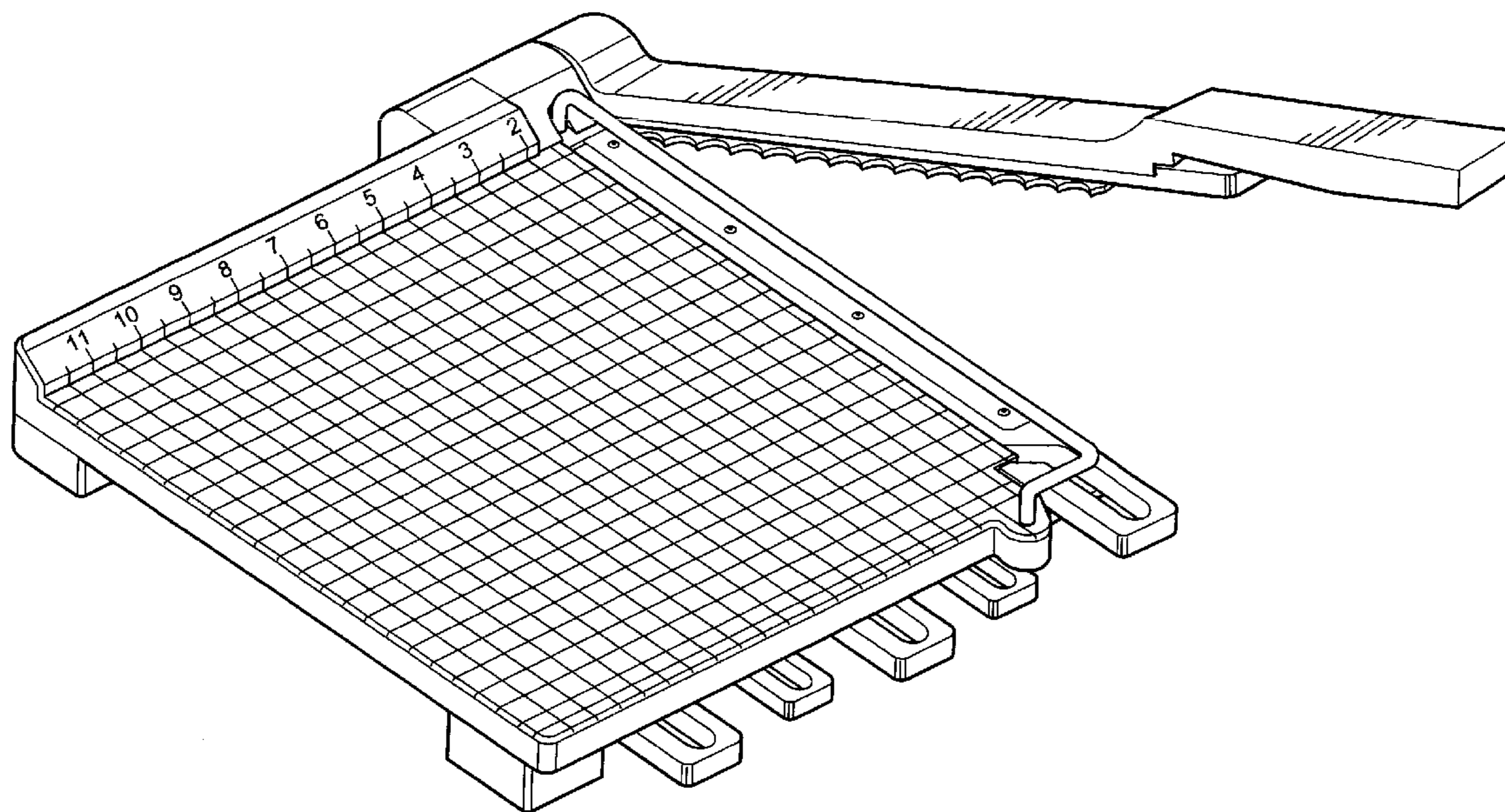
FIG. 1 is a top, front perspective view of a combined paper cutting and trimming apparatus and decorative-edged cutting shears showing our new design; FIG. 2 is a left side elevation thereof; FIG. 3 is a bottom plan view thereof; FIG. 4 is a right side elevation thereof; FIG. 5 is a top plan view thereof; FIG. 6 is a rear elevation thereof; FIG. 7 is a front elevation thereof; FIG. 8 is a perspective view of one of the decorative-edged cutting shears members shown separately and removed from the paper cutting and trimming apparatus; FIG. 9 is a top plan view thereof; and, FIG. 10 is a top plan view of the alternate decoration edged-cutting shears member.

(56) **References Cited**

U.S. PATENT DOCUMENTS

D34,566 S * 5/1901 Stimpson D8/98
D100,390 S * 7/1936 Robinson, Jr. D7/696
D252,787 S * 9/1979 Jefferson D7/696
D319,255 S * 8/1991 Beno et al. D18/34.7
D319,840 S * 9/1991 Hatsumi et al. D18/34.8
D321,368 S * 11/1991 Beno D18/34.7
D321,715 S * 11/1991 Beno et al. D18/34.7
D325,326 S * 4/1992 Parven D7/696
D353,150 S * 12/1994 Mori D18/34.8

1 Claim, 5 Drawing Sheets



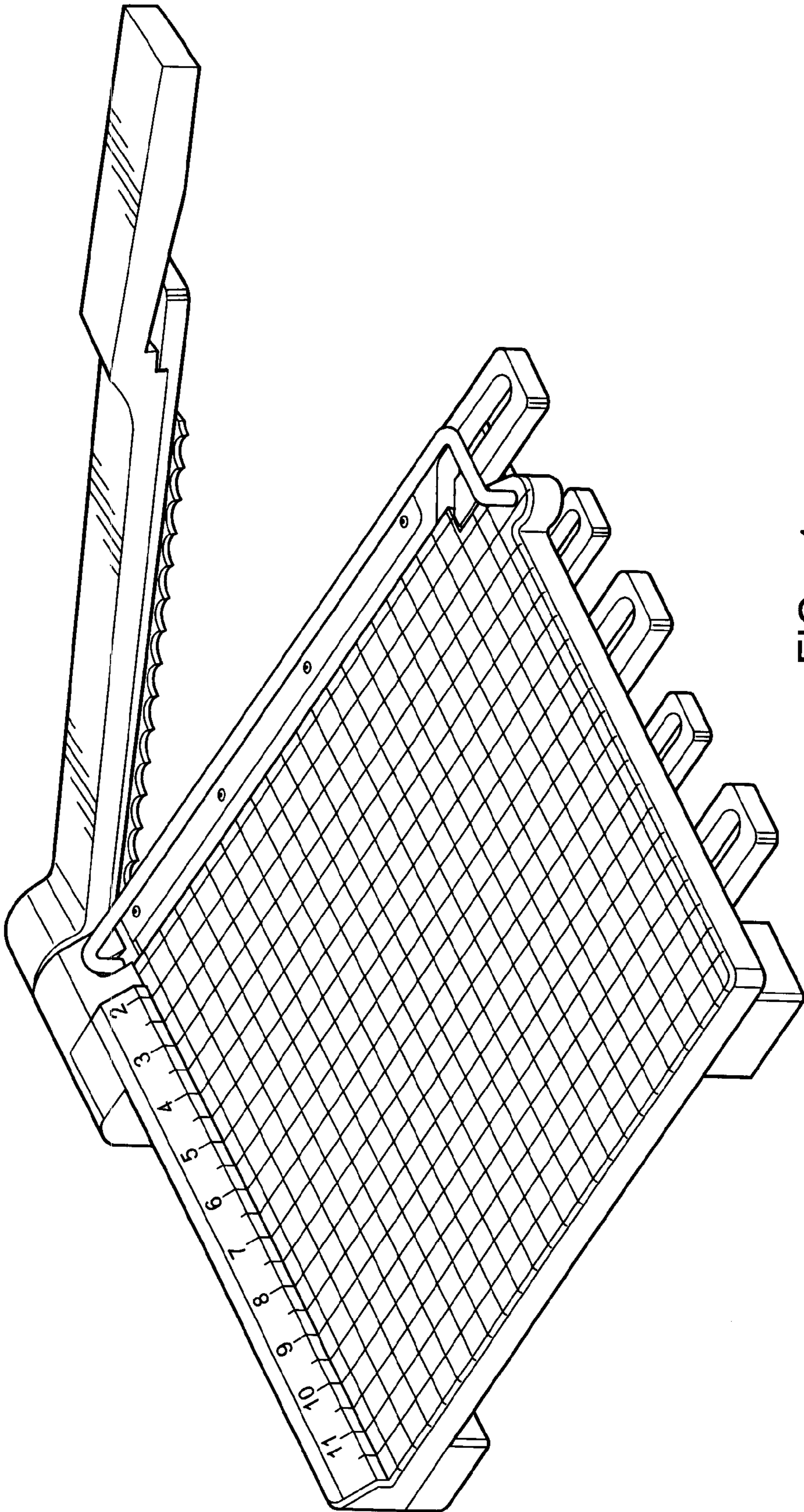


FIG. 1

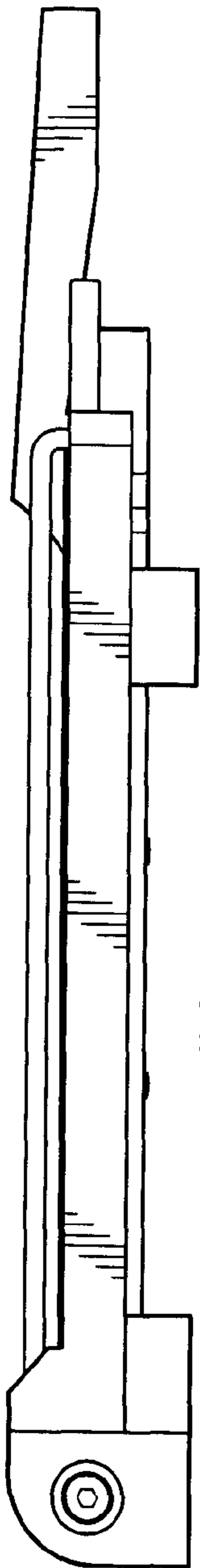


FIG. 2

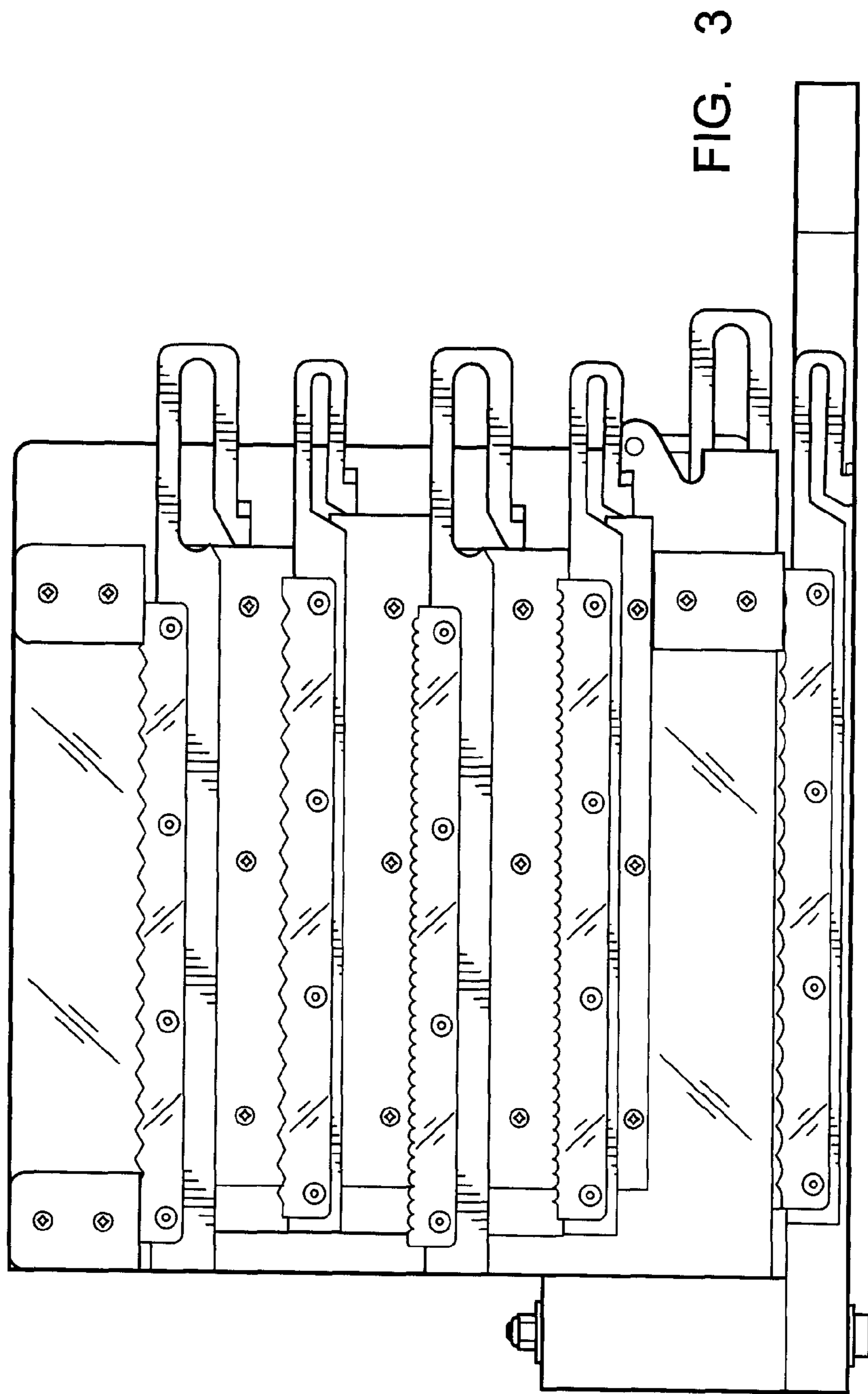


FIG. 3

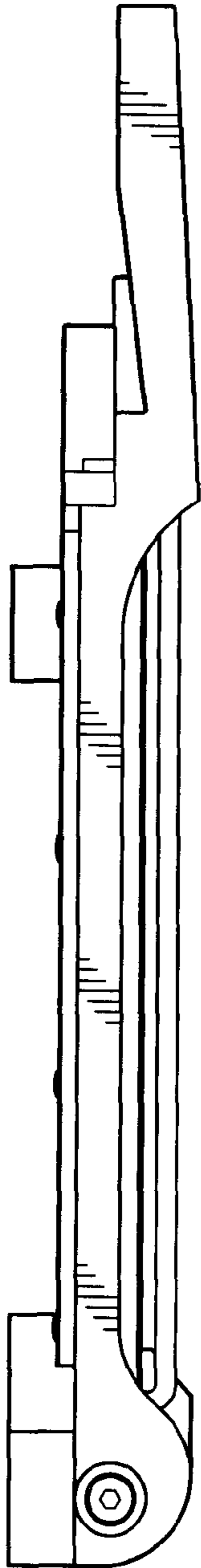


FIG. 4

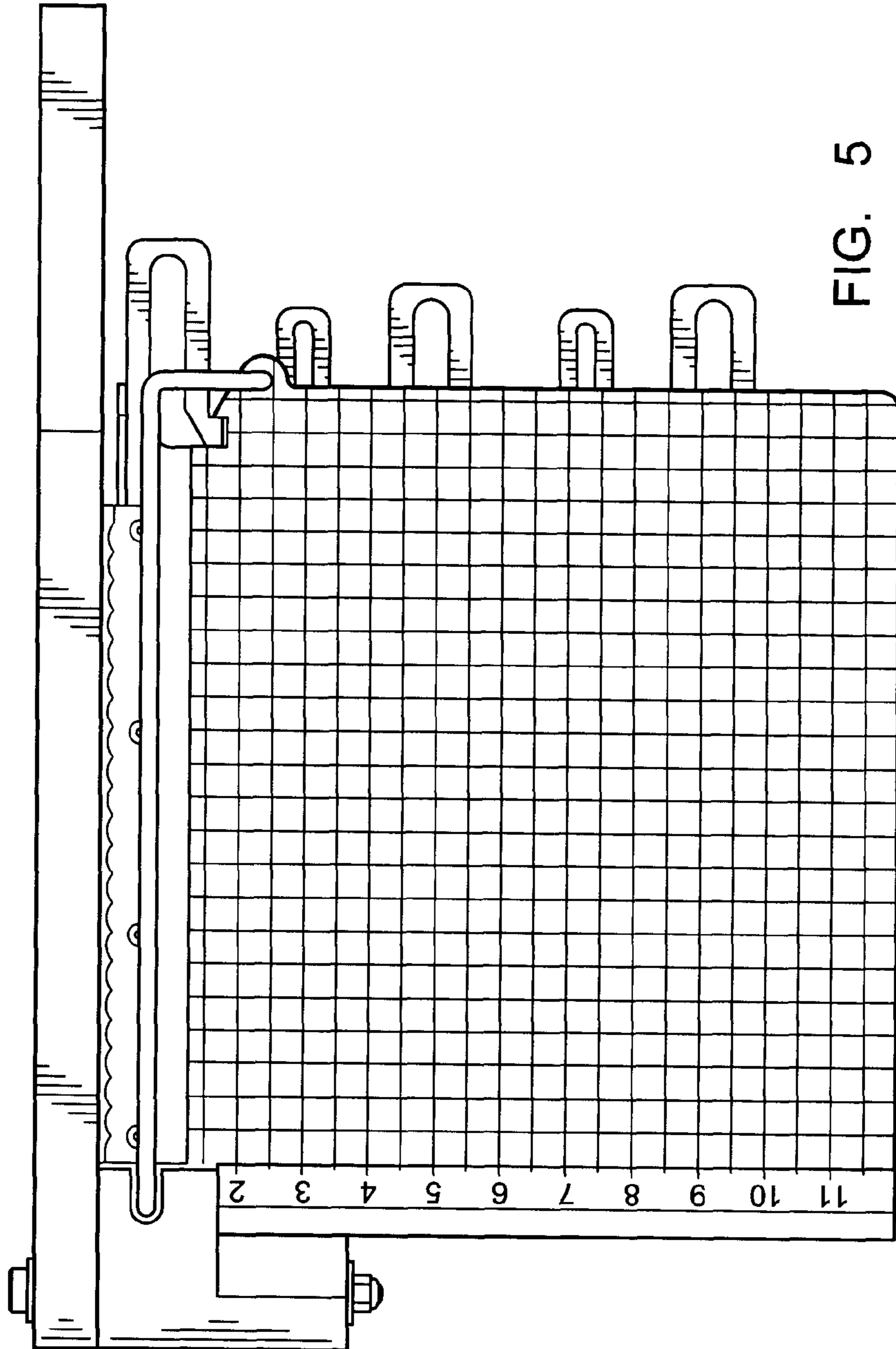


FIG. 5

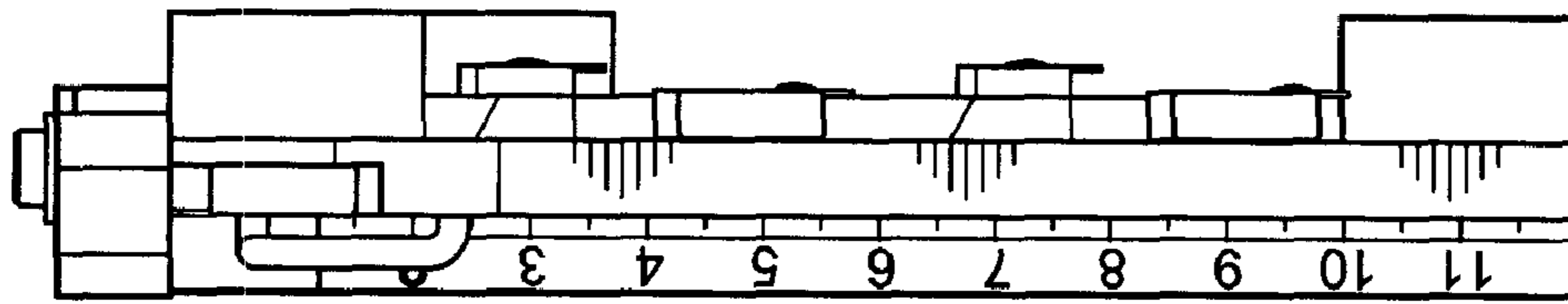


FIG. 7

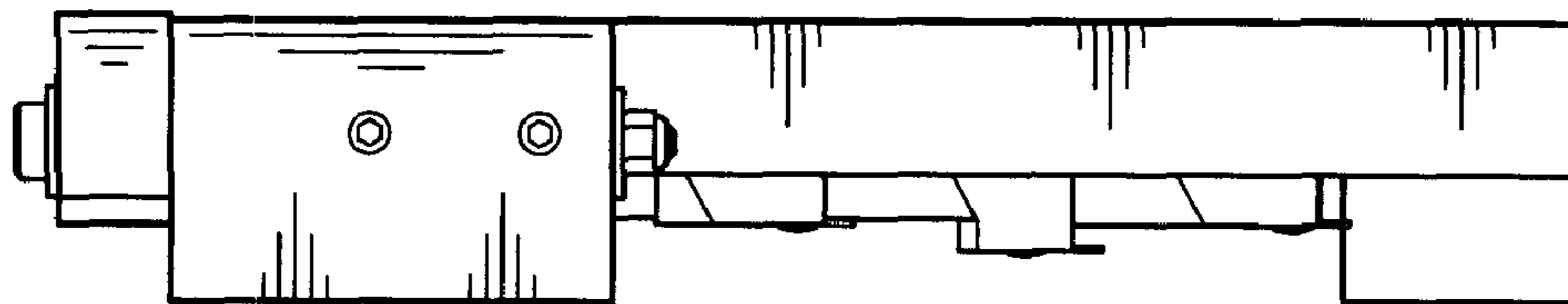


FIG. 6

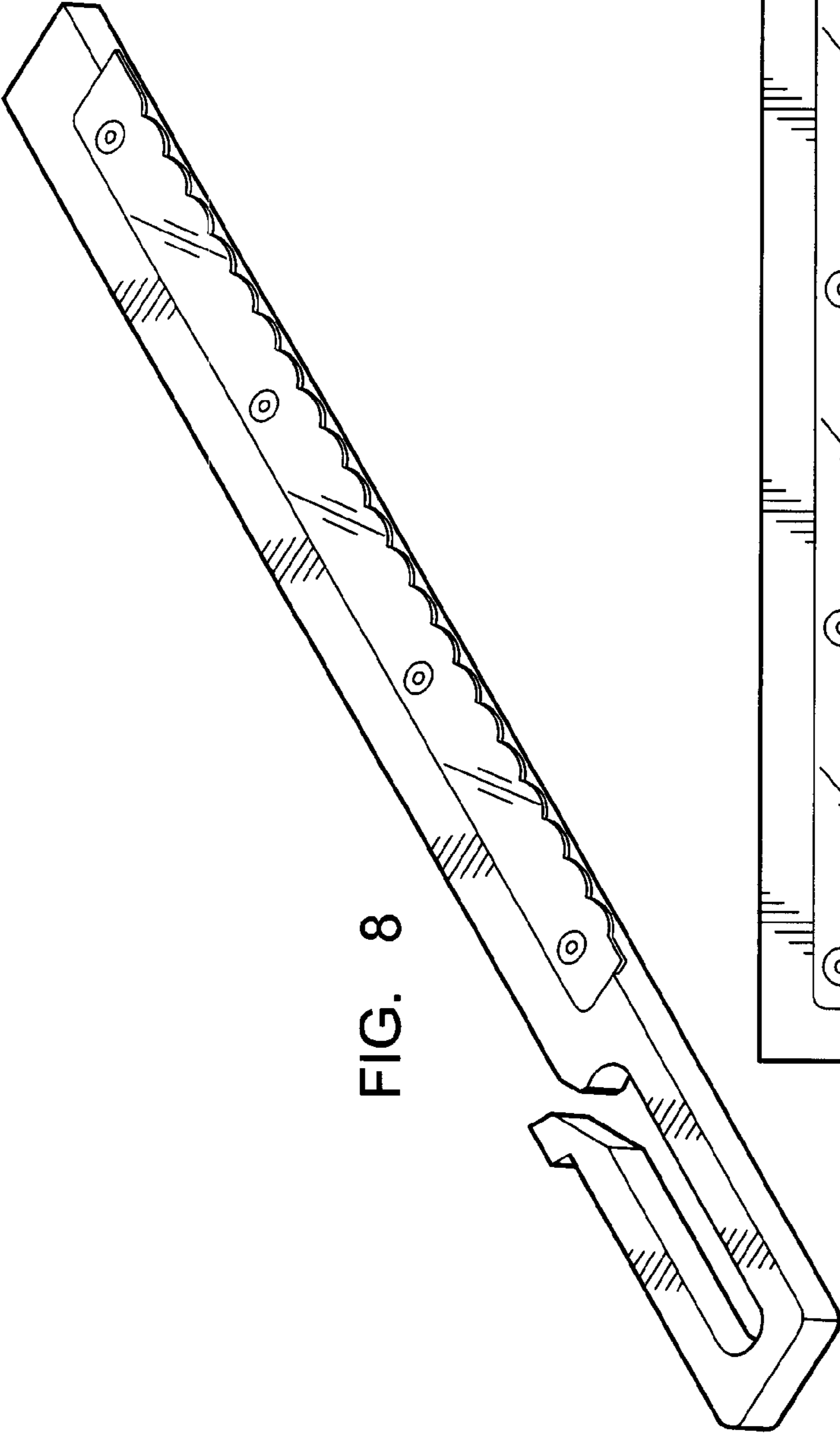


FIG. 8

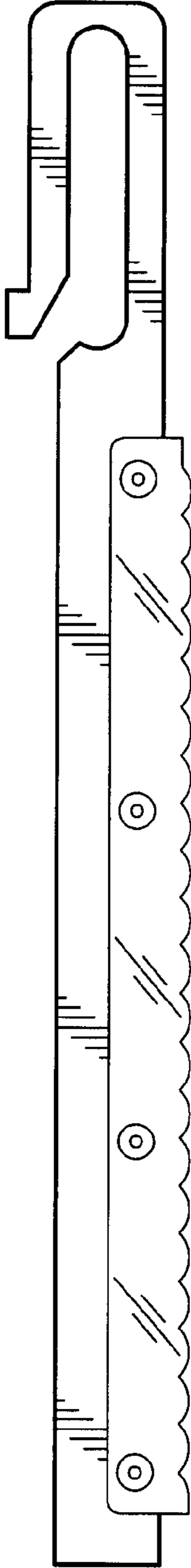


FIG. 9

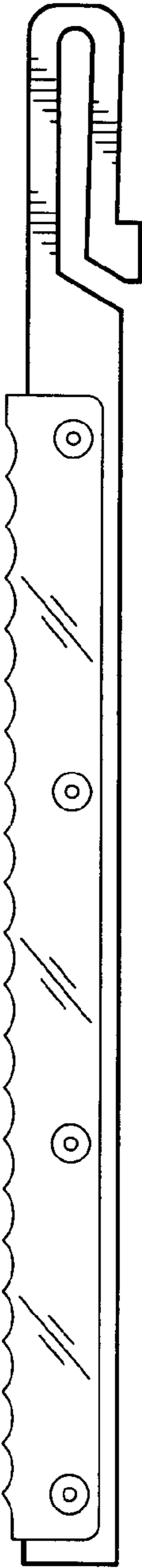


FIG. 10