



US00D533887S

(12) **United States Design Patent**  
**Logan et al.**

(10) **Patent No.:** **US D533,887 S**

(45) **Date of Patent:** **\*\* Dec. 19, 2006**

(54) **CAMERA WITH FLEXIBLE ATTACHMENT DEVICE**

(75) Inventors: **Andy Logan**, San Francisco, CA (US);  
**Chris Green**, San Francisco, CA (US);  
**John Brock**, San Francisco, CA (US);  
**Mark Martinez**, San Francisco, CA (US);  
**Kevin Tregear**, Livermore, CA (US);  
**Gina Clark**, Belmont, CA (US)

(73) Assignee: **Logitech Europe S.A.**, Romanel-sur Morges (CH)

(\*\*) Term: **14 Years**

(21) Appl. No.: **29/230,447**

(22) Filed: **May 19, 2005**

(51) **LOC (8) Cl.** ..... **16-01**

(52) **U.S. Cl.** ..... **D16/208; D16/218**

(58) **Field of Classification Search** ..... D16/200–206,  
D16/208, 212, 218; 348/373–374; 358/906,  
358/909.1; 396/429, 535, 536–541

See application file for complete search history.

(56) **References Cited**

U.S. PATENT DOCUMENTS

D425,924 S \* 5/2000 Burchard et al. .... D16/218

D454,902 S \* 3/2002 Hsu et al. .... D16/218

D464,365 S \* 10/2002 Su ..... D16/202

D477,344 S \* 7/2003 Ng ..... D16/202

6,591,069 B1 \* 7/2003 Horiguchi ..... 396/429

D483,784 S \* 12/2003 Ting ..... D16/208

D506,215 S \* 6/2005 Lin et al. .... D16/218

\* cited by examiner

*Primary Examiner*—Adir Aronovich

(74) *Attorney, Agent, or Firm*—Townsend & Townsend and Crew LLP

(57) **CLAIM**

The ornamental design for a camera with flexible attachment device, as shown and described.

**DESCRIPTION**

FIG. 1 is a perspective view of a camera with flexible attachment device showing our new design;

FIG. 2 is a front elevational view thereof;

FIG. 3 is a top plan view thereof;

FIG. 4 is a left elevational view thereof;

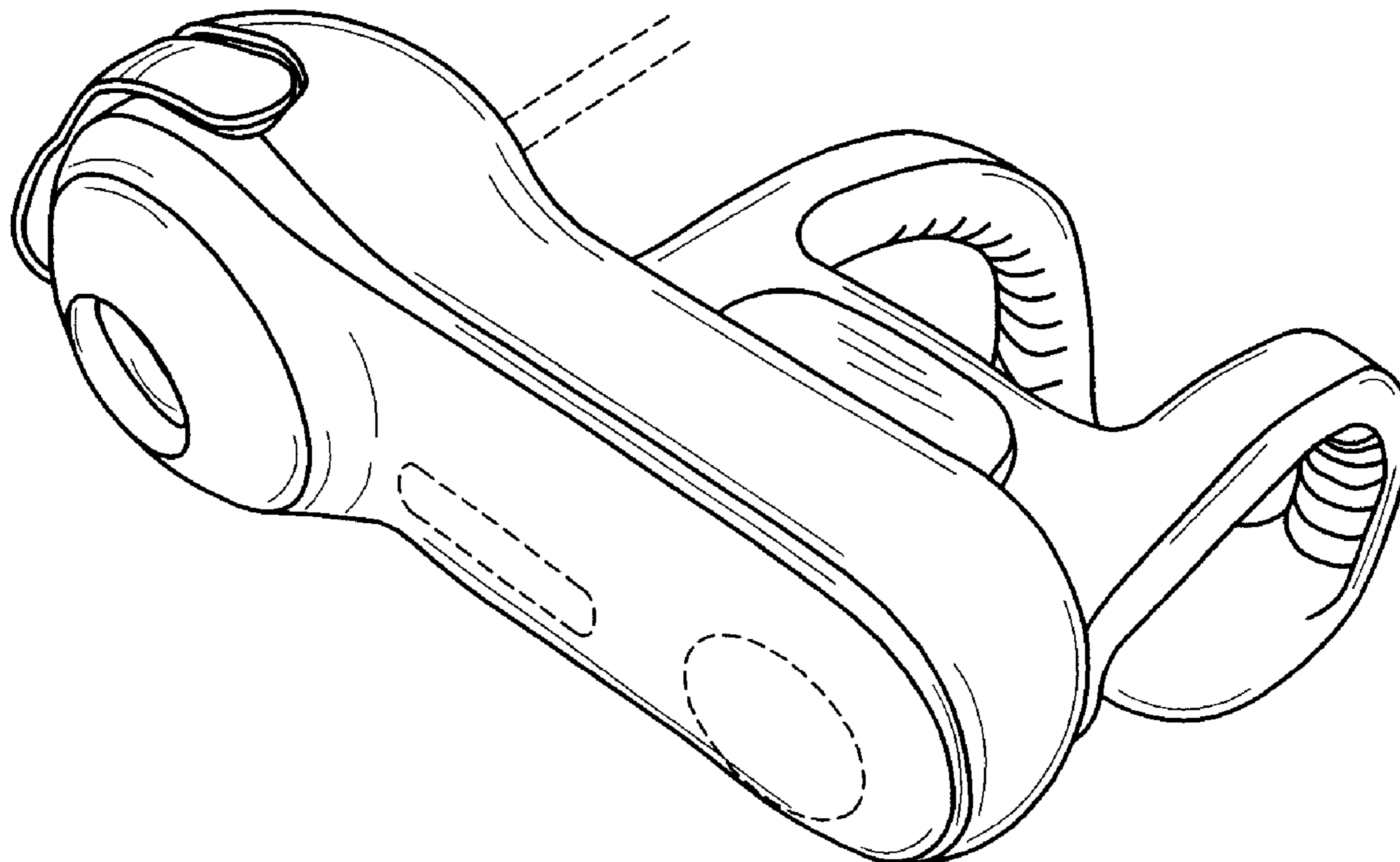
FIG. 5 is a right elevational view thereof;

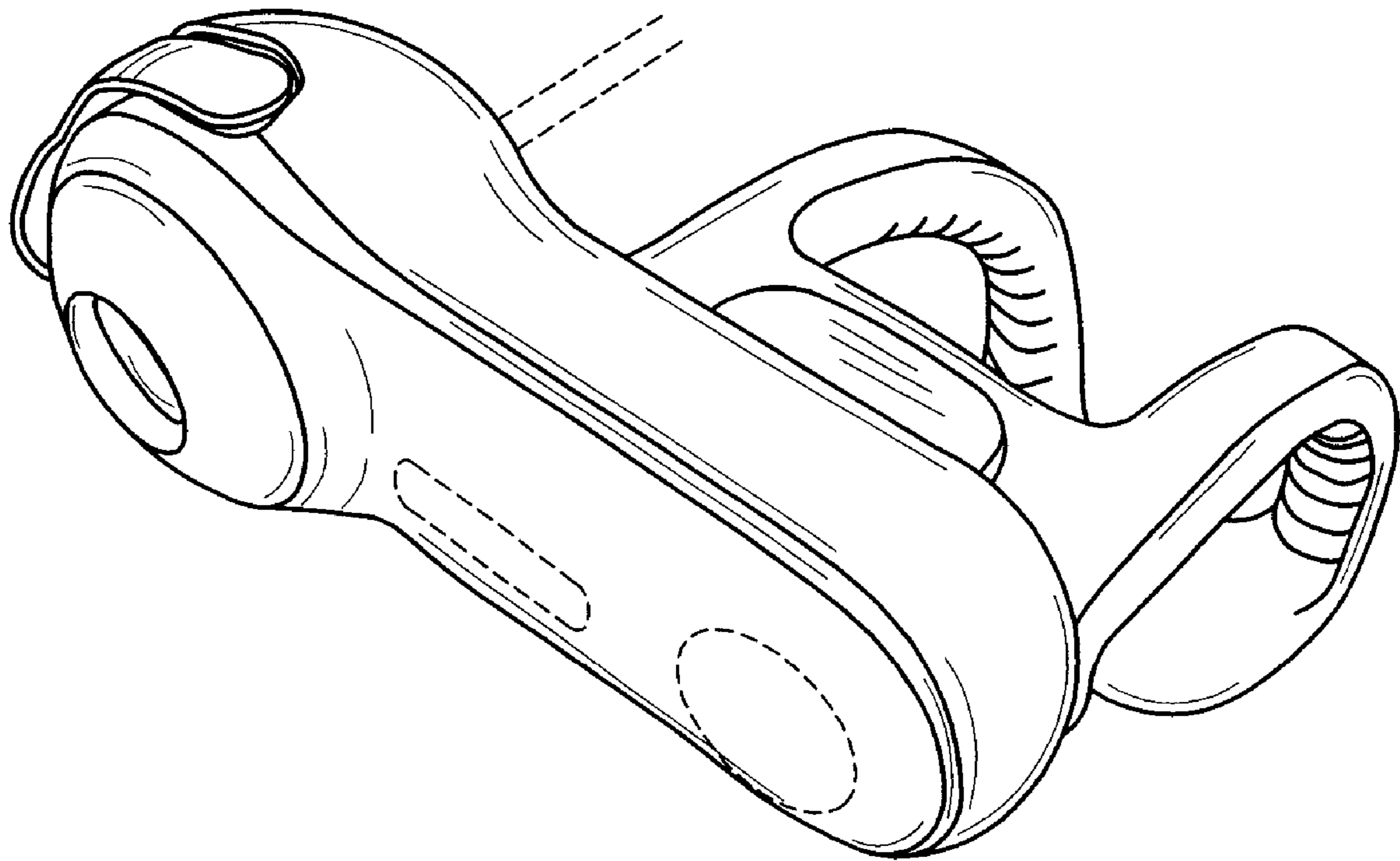
FIG. 6 is a bottom plan view thereof; and,

FIG. 7 is a rear elevational view thereof.

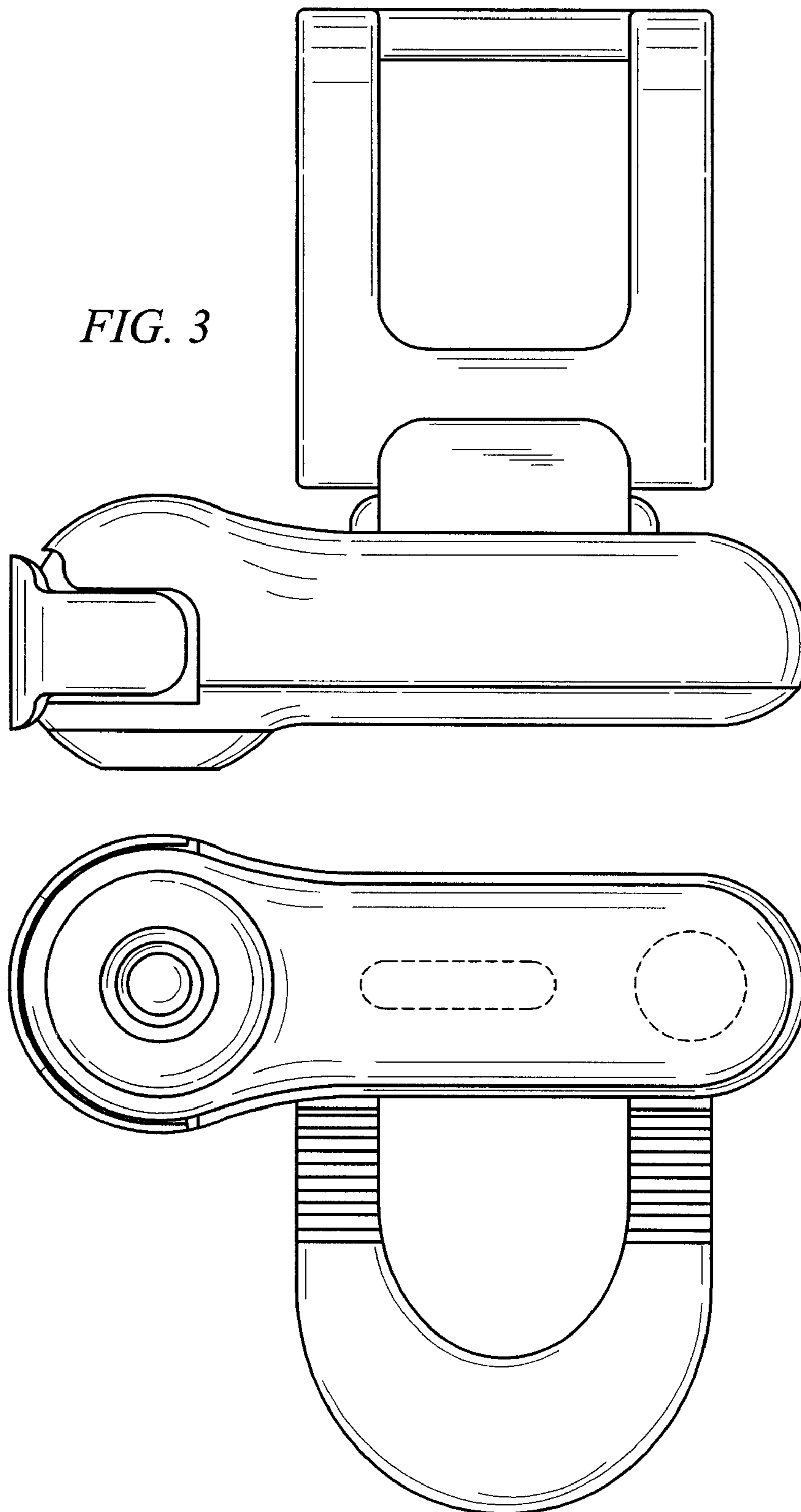
The portions of the camera in broken lines are shown for illustrative purposes only and form no part of the claimed design.

**1 Claim, 4 Drawing Sheets**





*FIG. 1*



*FIG. 3*

*FIG. 2*

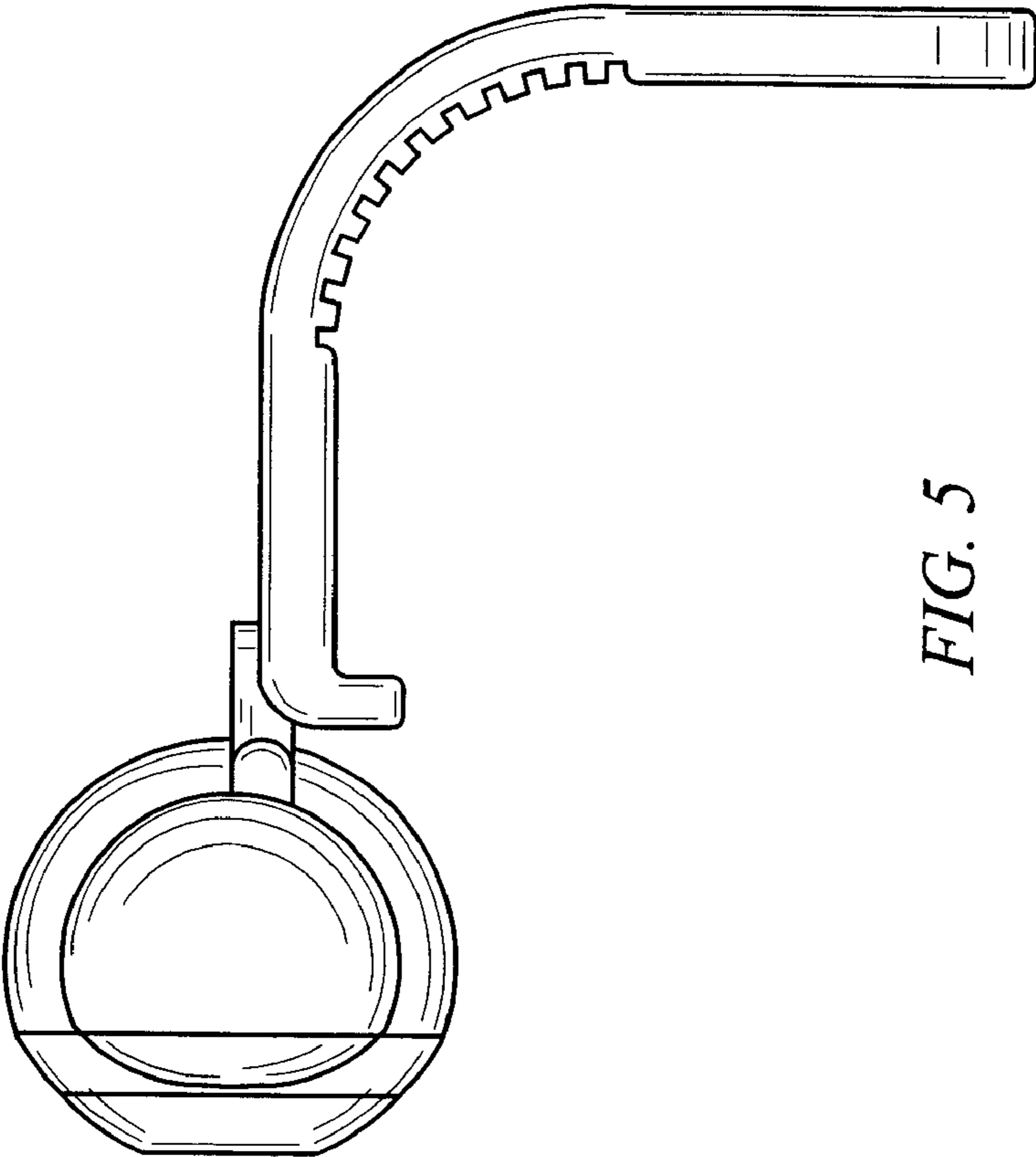


FIG. 5

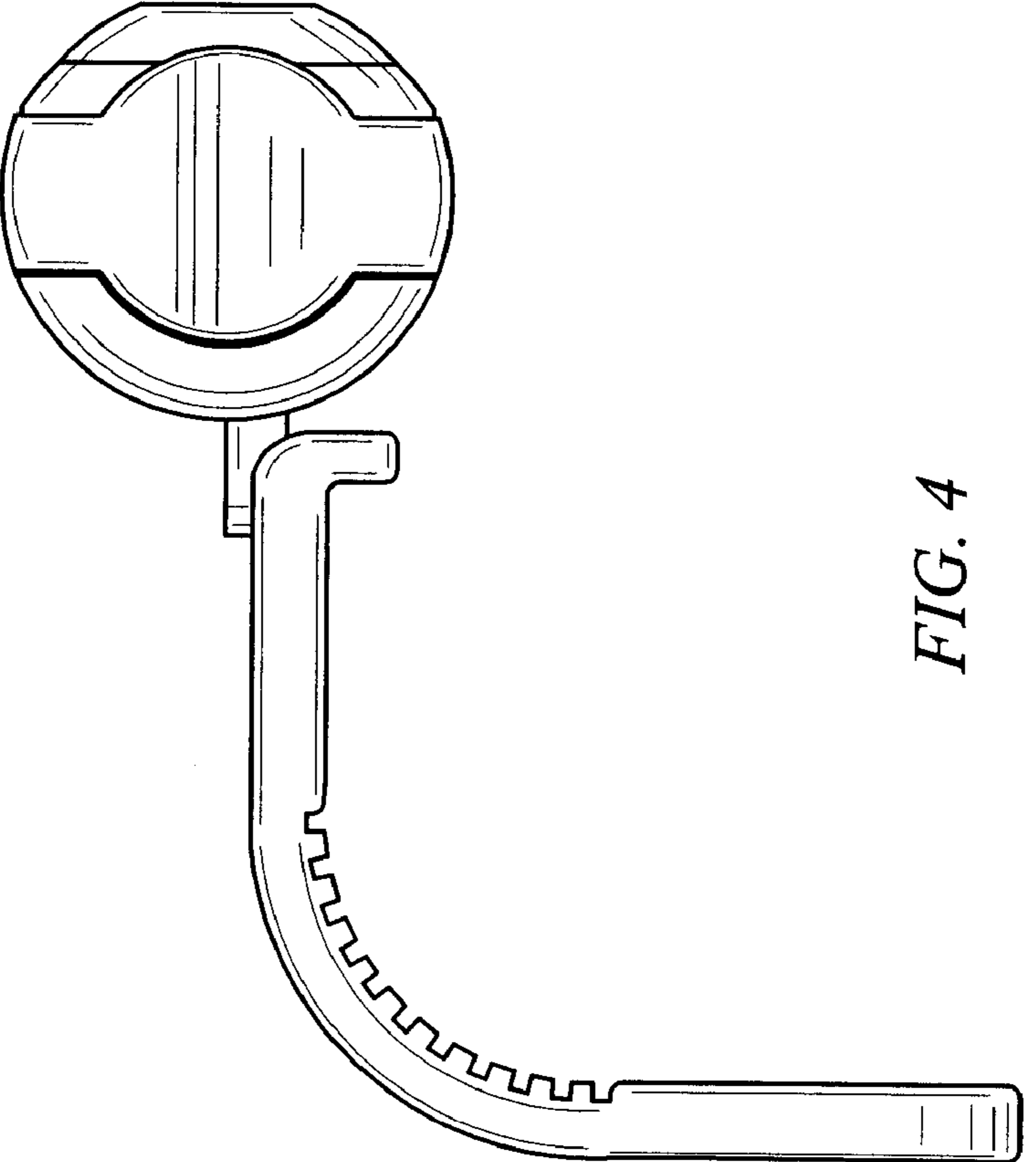
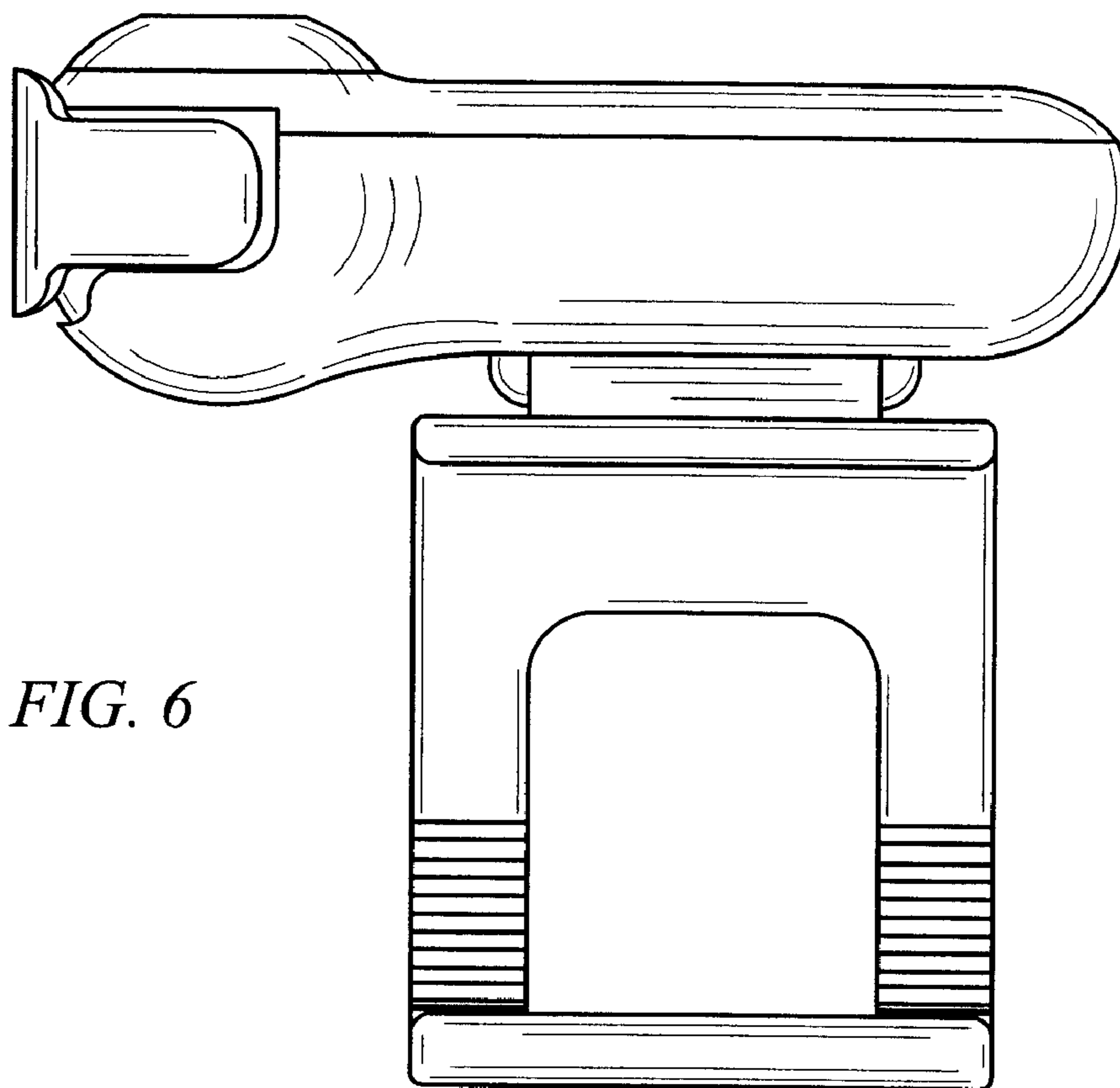
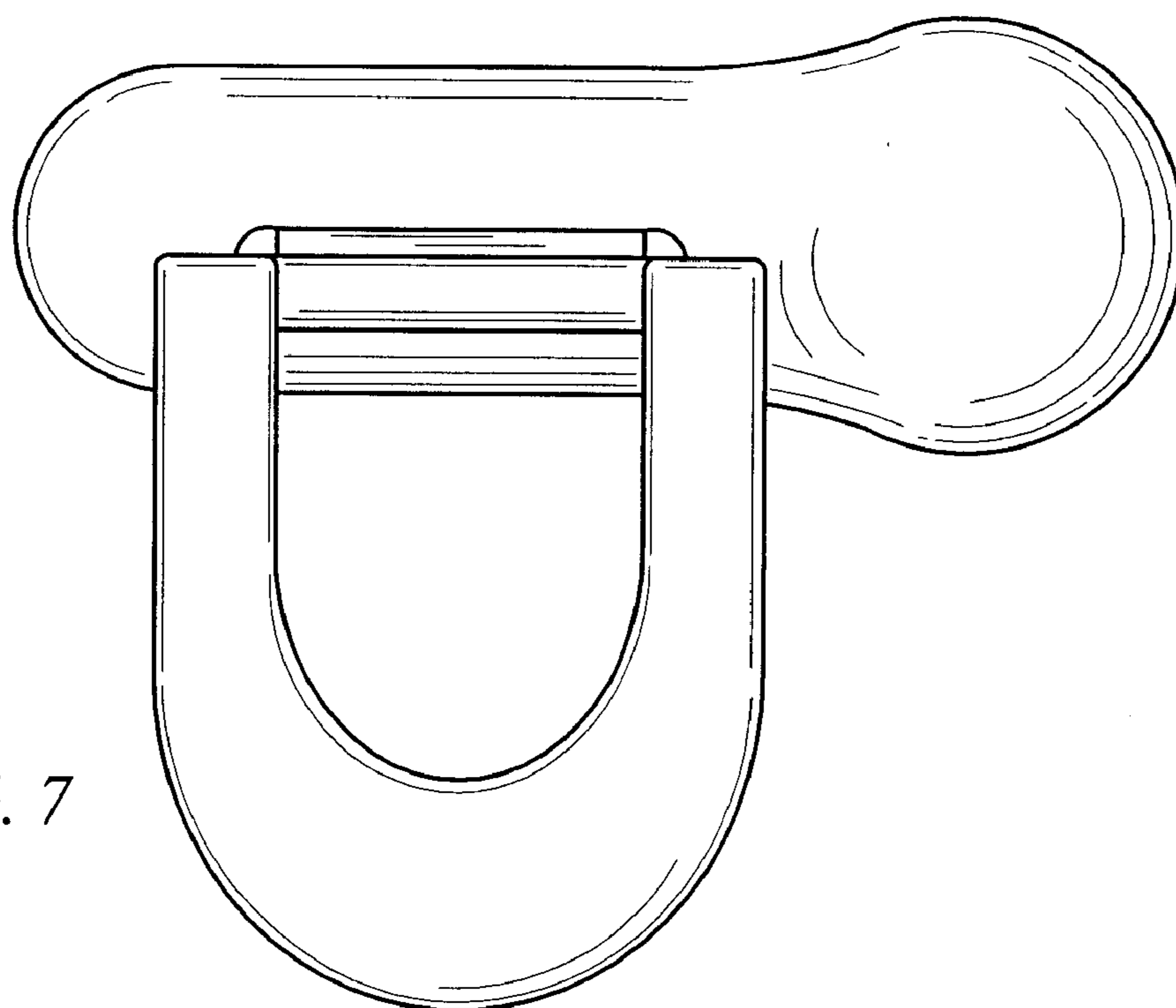


FIG. 4



*FIG. 6*



*FIG. 7*