



US00D533886S

(12) **United States Design Patent**
Shimizu

(10) **Patent No.:** **US D533,886 S**

(45) **Date of Patent:** **** Dec. 19, 2006**

(54) **DIGITAL CAMERA**

(75) Inventor: **Hisakazu Shimizu**, Tokyo (JP)

(73) Assignee: **Canon Kabushiki Kaisha**, Tokyo (JP)

(**) Term: **14 Years**

(21) Appl. No.: **29/228,903**

(22) Filed: **May 2, 2005**

(30) **Foreign Application Priority Data**

Nov. 9, 2004 (JP) 2004-034121

(51) **LOC (8) Cl.** **16-01**

(52) **U.S. Cl.** **D16/202; D16/218**

(58) **Field of Classification Search** D16/200–204,
D16/208, 209, 218; 348/373–376; 358/909.1;
396/6, 535, 536–541

See application file for complete search history.

(56) **References Cited**

U.S. PATENT DOCUMENTS

D410,482 S * 6/1999 Kawai D16/218

D440,590 S * 4/2001 Yoshida D16/209

6,542,700 B1 * 4/2003 Ito 396/535

D475,384 S * 6/2003 Tanaka D16/202

D505,967 S * 6/2005 Ko et al. D16/202

* cited by examiner

Primary Examiner—Adir Aronovich

(74) *Attorney, Agent, or Firm*—Fitzpatrick, Cella, Harper & Scinto

(57) **CLAIM**

The ornamental design for a digital camera, as shown and described.

DESCRIPTION

FIG. 1 is a front view of a digital camera showing my new design;

FIG. 2 is a rear view thereof;

FIG. 3 is a top plan view thereof;

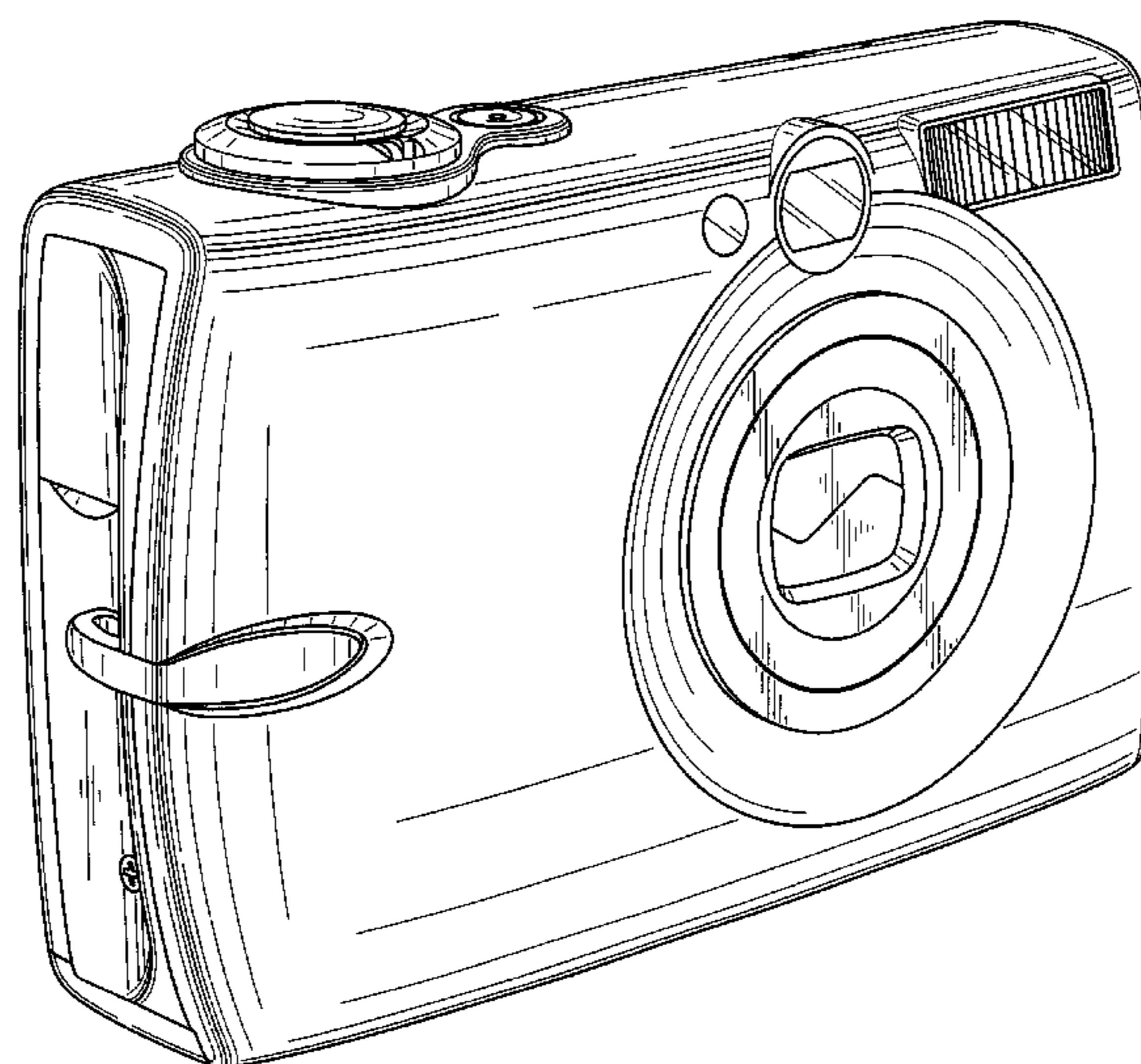
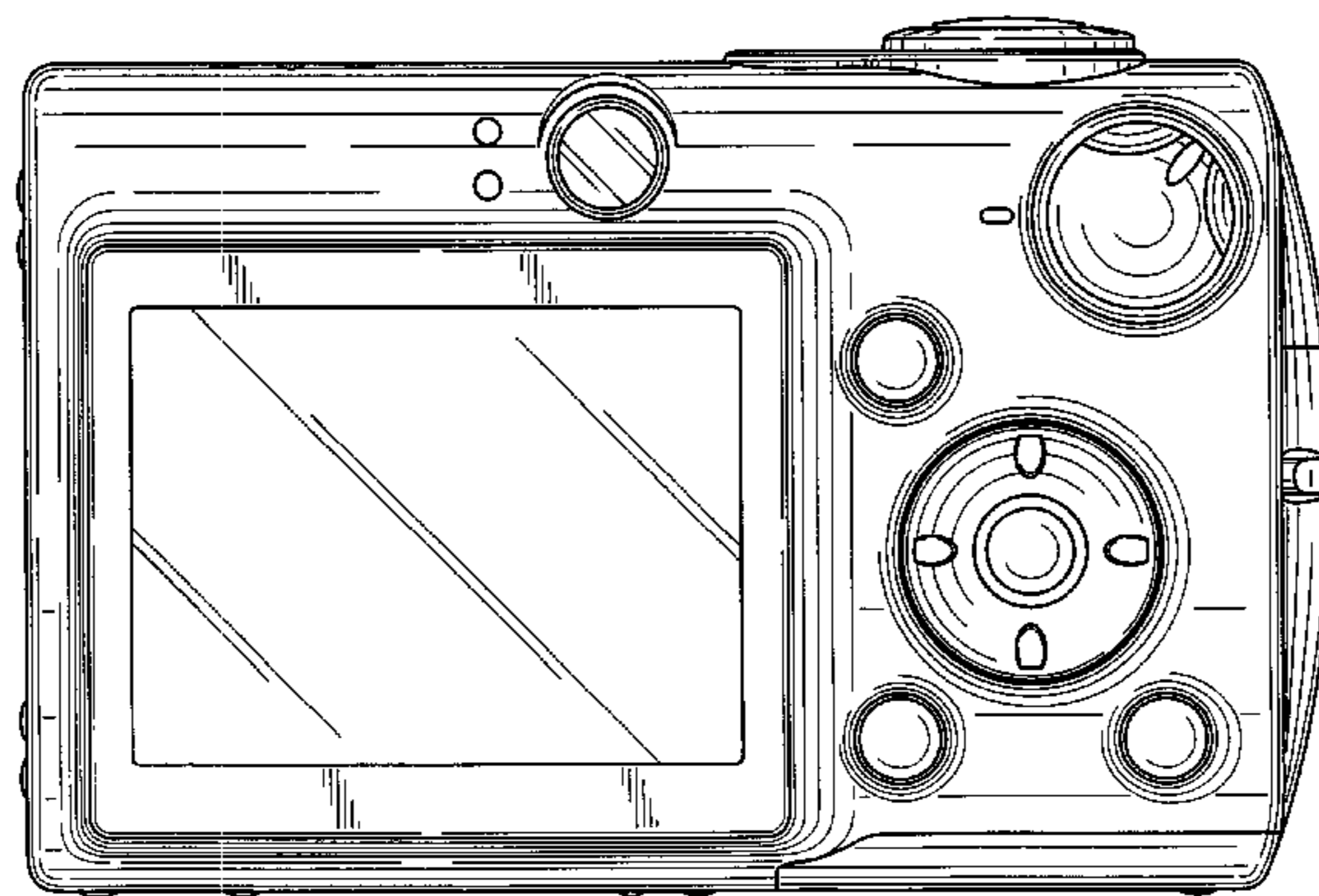
FIG. 4 is a bottom plan view thereof;

FIG. 5 is a left side view thereof;

FIG. 6 is a right side view thereof; and,

FIG. 7 is a perspective view thereof.

1 Claim, 4 Drawing Sheets



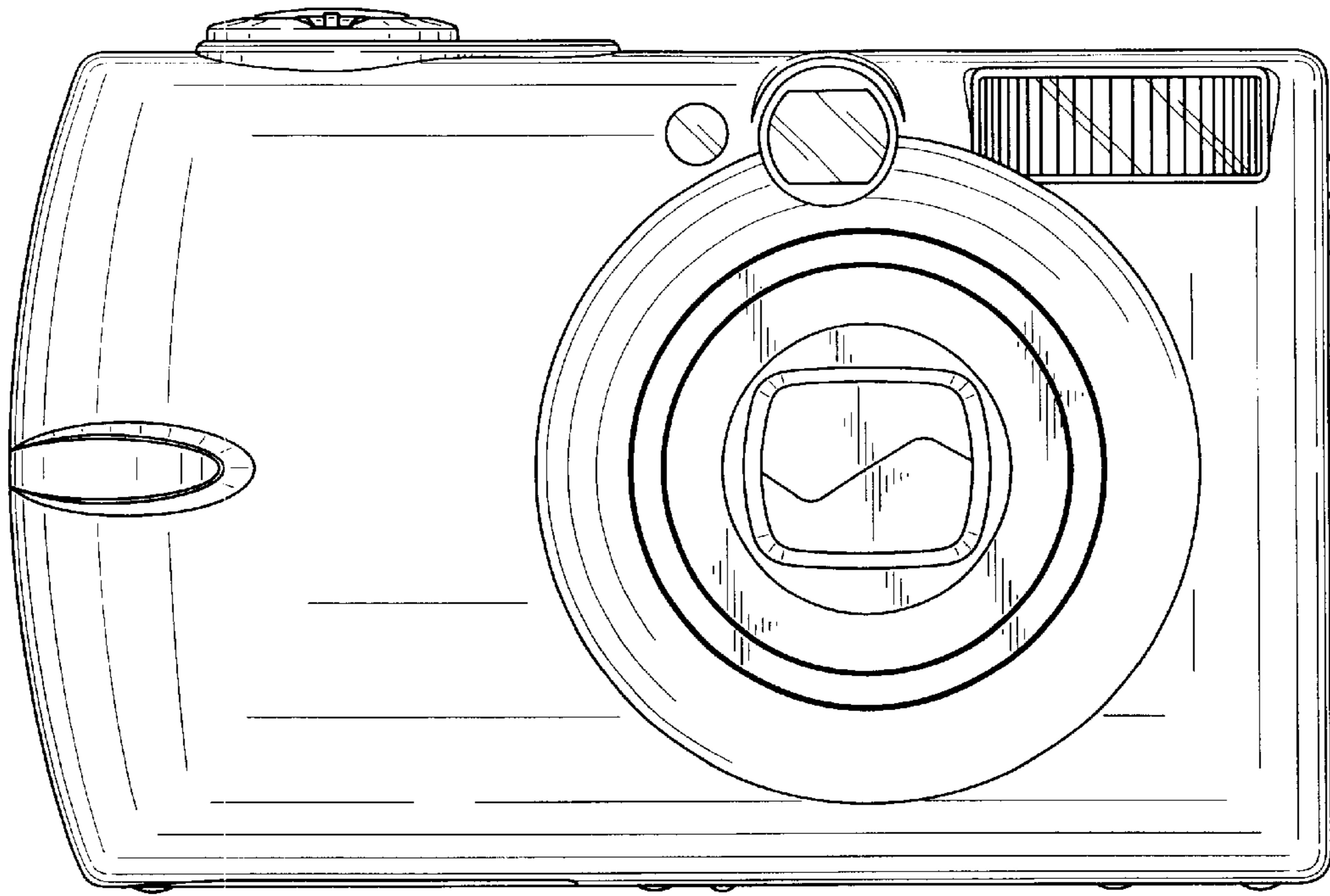


FIG. 1

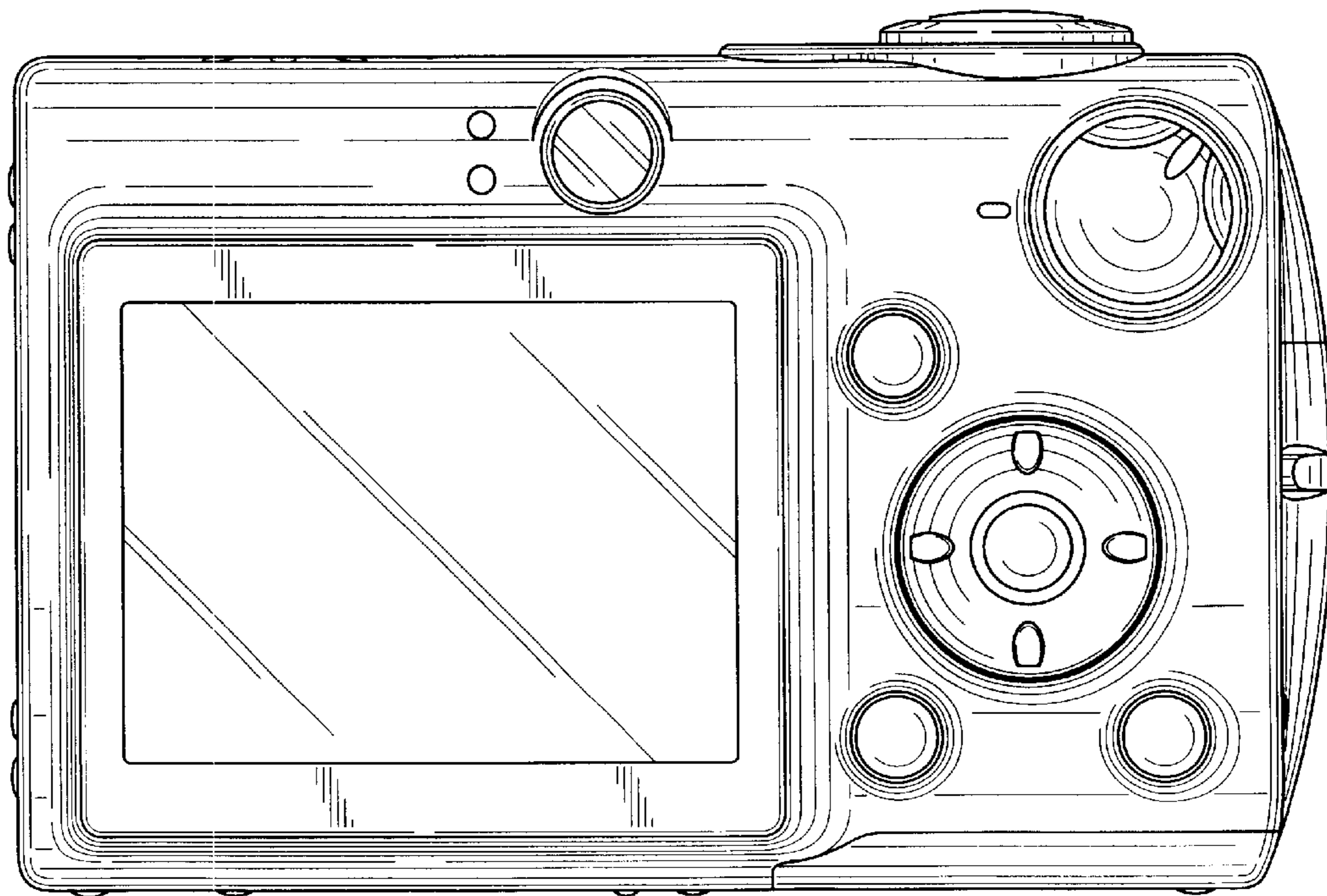


FIG. 2

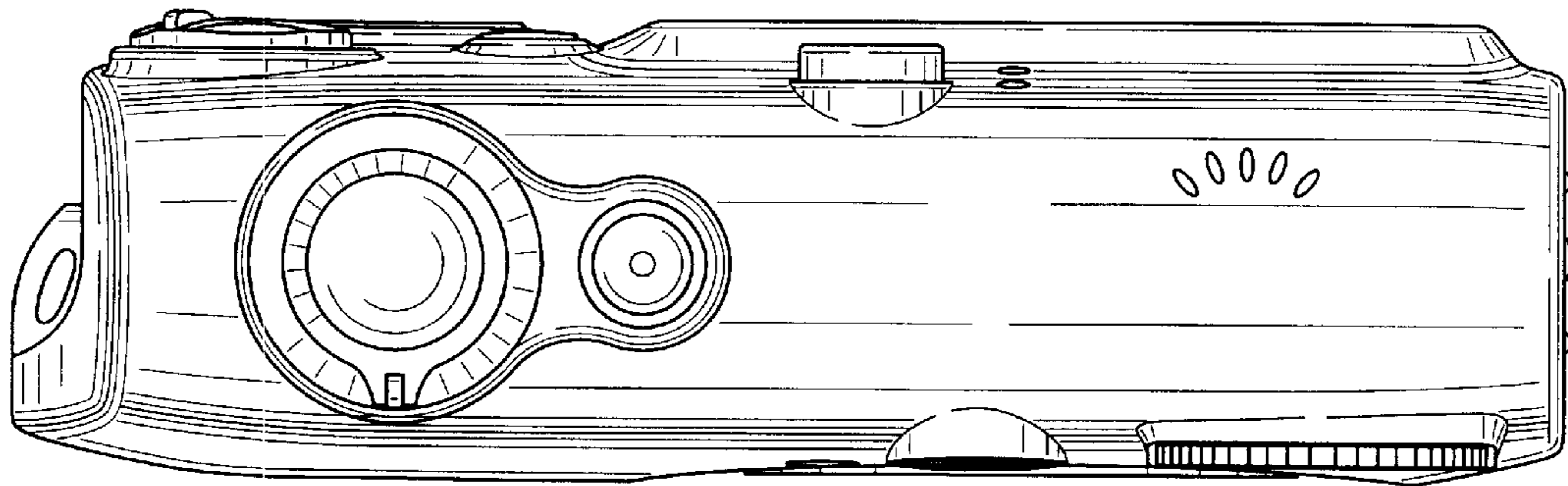


FIG. 3

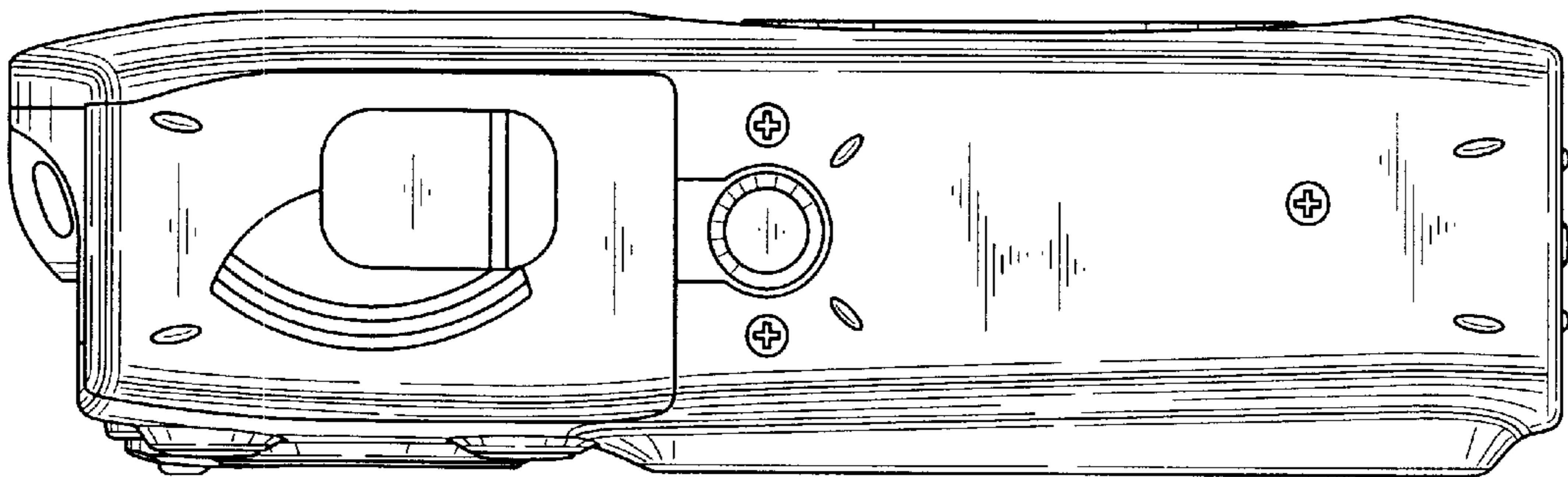


FIG. 4

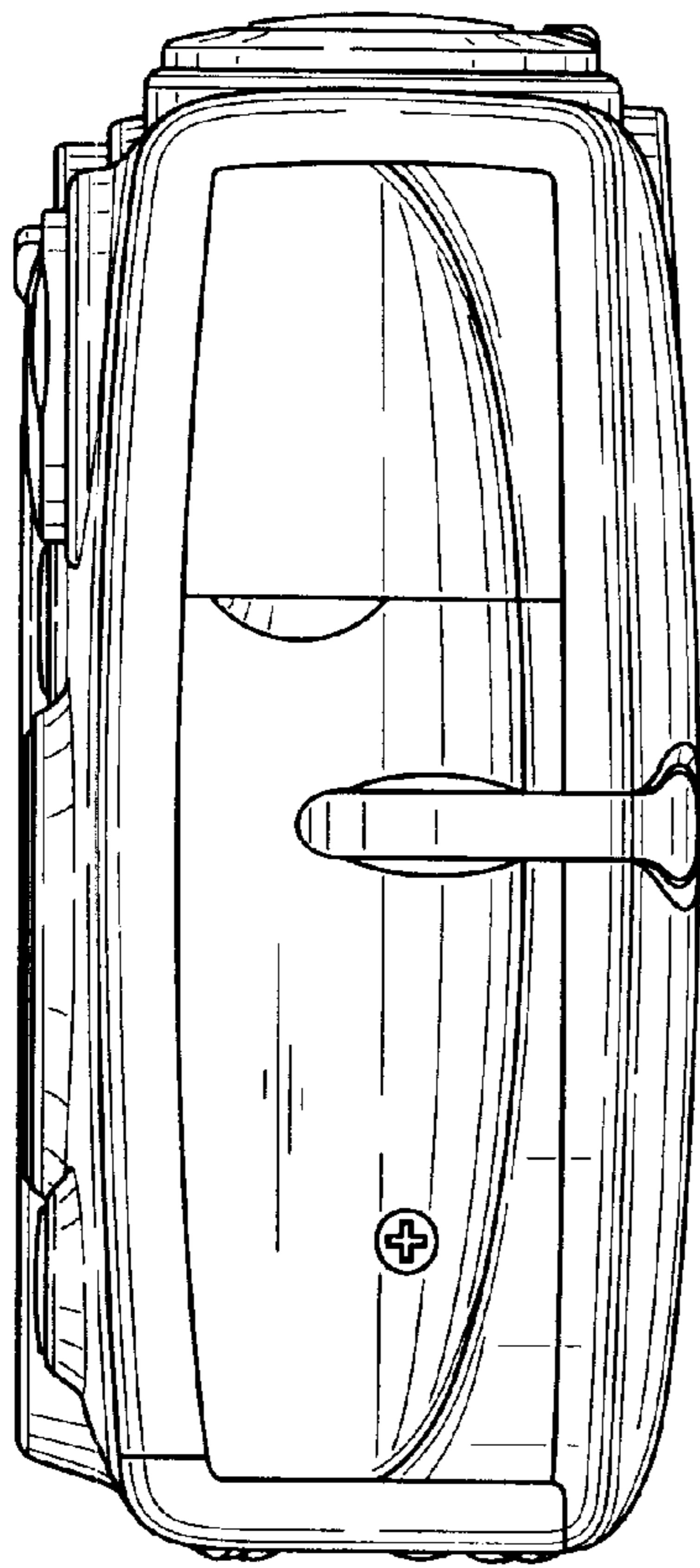


FIG. 5

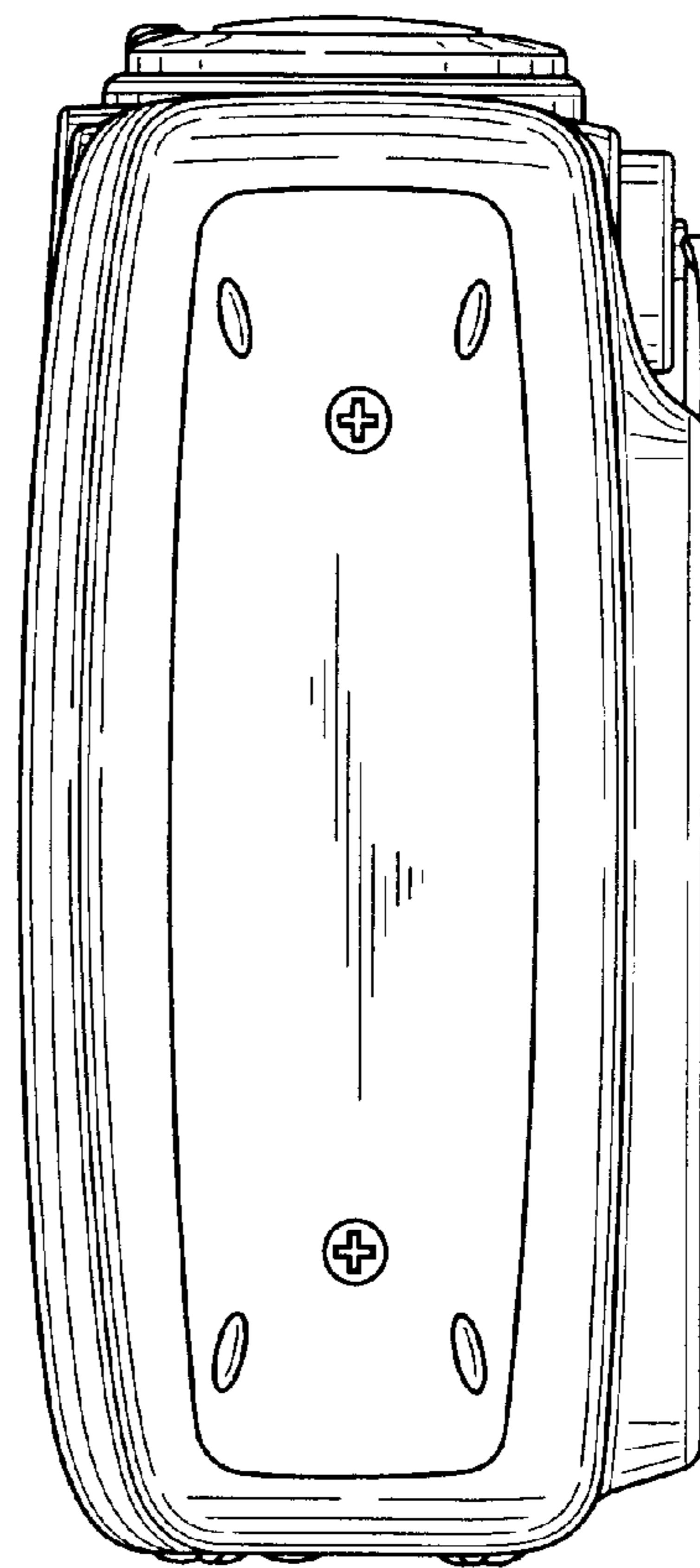


FIG. 6

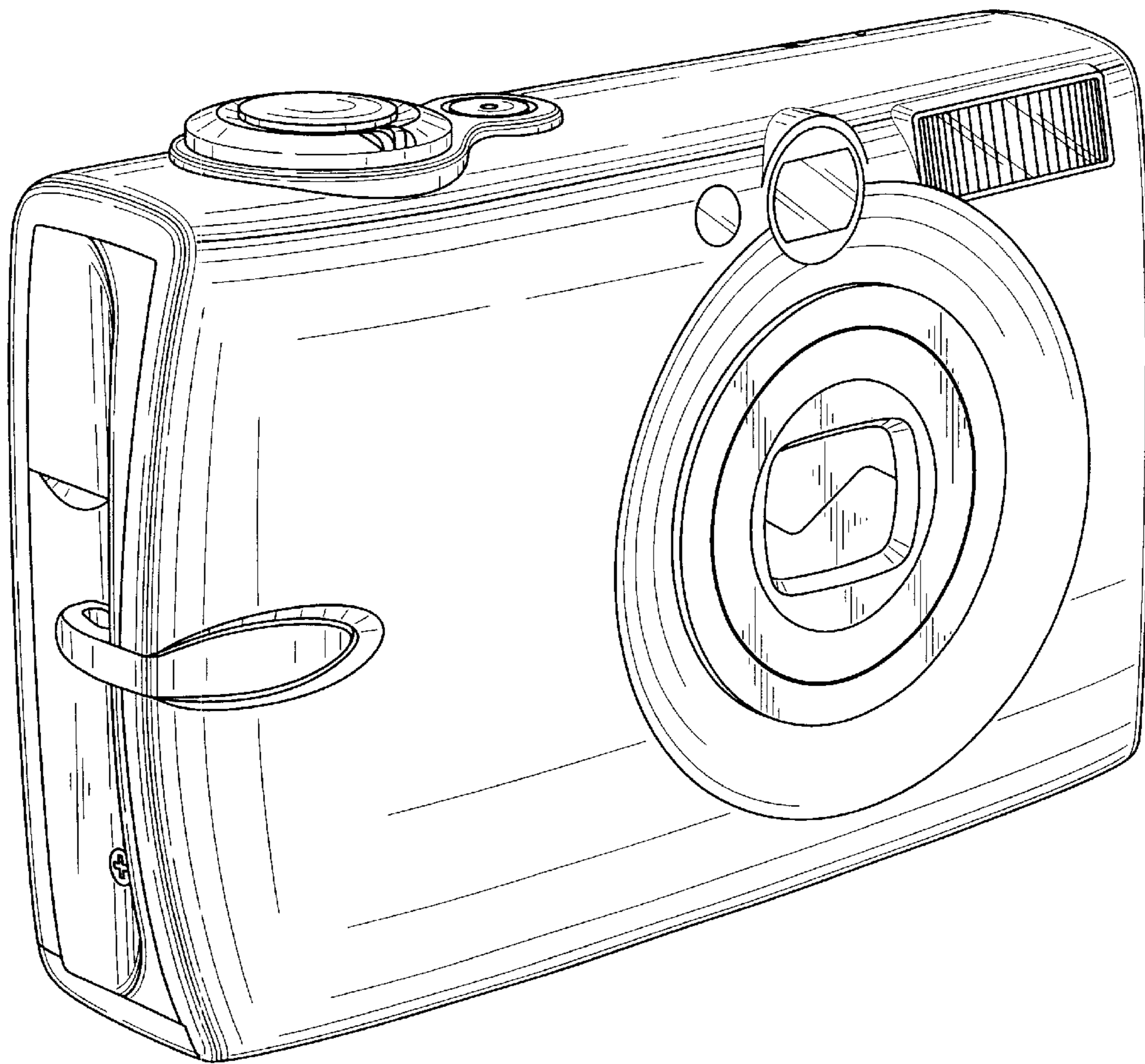


FIG. 7