



US00D533885S

(12) **United States Design Patent**
Yang

(10) **Patent No.:** **US D533,885 S**

(45) **Date of Patent:** **** Dec. 19, 2006**

(54) **REFRIGERATOR**

(75) Inventor: **Yun Ho Yang**, Seoul (KR)

(73) Assignee: **Samsung Electronics Co., Ltd.** (KR)

(**) Term: **14 Years**

(21) Appl. No.: **29/235,240**

(22) Filed: **Jul. 29, 2005**

(30) **Foreign Application Priority Data**

May 12, 2005 (KR) 30-2005-0015919

(51) **LOC (8) Cl.** **15-07**

(52) **U.S. Cl.** **D15/85**

(58) **Field of Classification Search** D15/79,
D15/81, 85, 86; 62/3.1, 3.6, 3.63, 3.64, 389-400,
62/440, 441, 467, 531; 312/236, 352, 400-405
See application file for complete search history.

(56) **References Cited**

U.S. PATENT DOCUMENTS

D210,560 S	*	3/1968	Kennedy	D15/86
5,568,712 A	*	10/1996	Jenkins et al.	312/405
5,909,937 A	*	6/1999	Jenkins et al.	312/400
D415,504 S	*	10/1999	Han	D15/85
6,055,823 A	*	5/2000	Baker et al.	62/441
D449,625 S	*	10/2001	Yu	D15/81

D467,597 S	*	12/2002	Min et al.	D15/85
D477,340 S	*	7/2003	Kim et al.	D15/85
D495,719 S	*	9/2004	Kirchner et al.	D15/86
D508,249 S	*	8/2005	Seok et al.	D15/86
D508,925 S	*	8/2005	Seok et al.	D15/86
D508,926 S	*	8/2005	Seok et al.	D15/86

* cited by examiner

Primary Examiner—Mitchell Siegel

Assistant Examiner—Shanda C. Hill

(74) *Attorney, Agent, or Firm*—Irving Keschner

(57) **CLAIM**

The ornamental design for refrigerator, as shown and described.

DESCRIPTION

FIG. 1 is a perspective view of a refrigerator showing my new design;
FIG. 2 is a front elevational view thereof;
FIG. 3 is a rear elevational view thereof;
FIG. 4 is a left side elevational view thereof;
FIG. 5 is a right side elevational view thereof;
FIG. 6 is a top plan view of the ornamental design of the present invention; and
FIG. 7 is a bottom view of the ornamental design of the present invention.

1 Claim, 6 Drawing Sheets

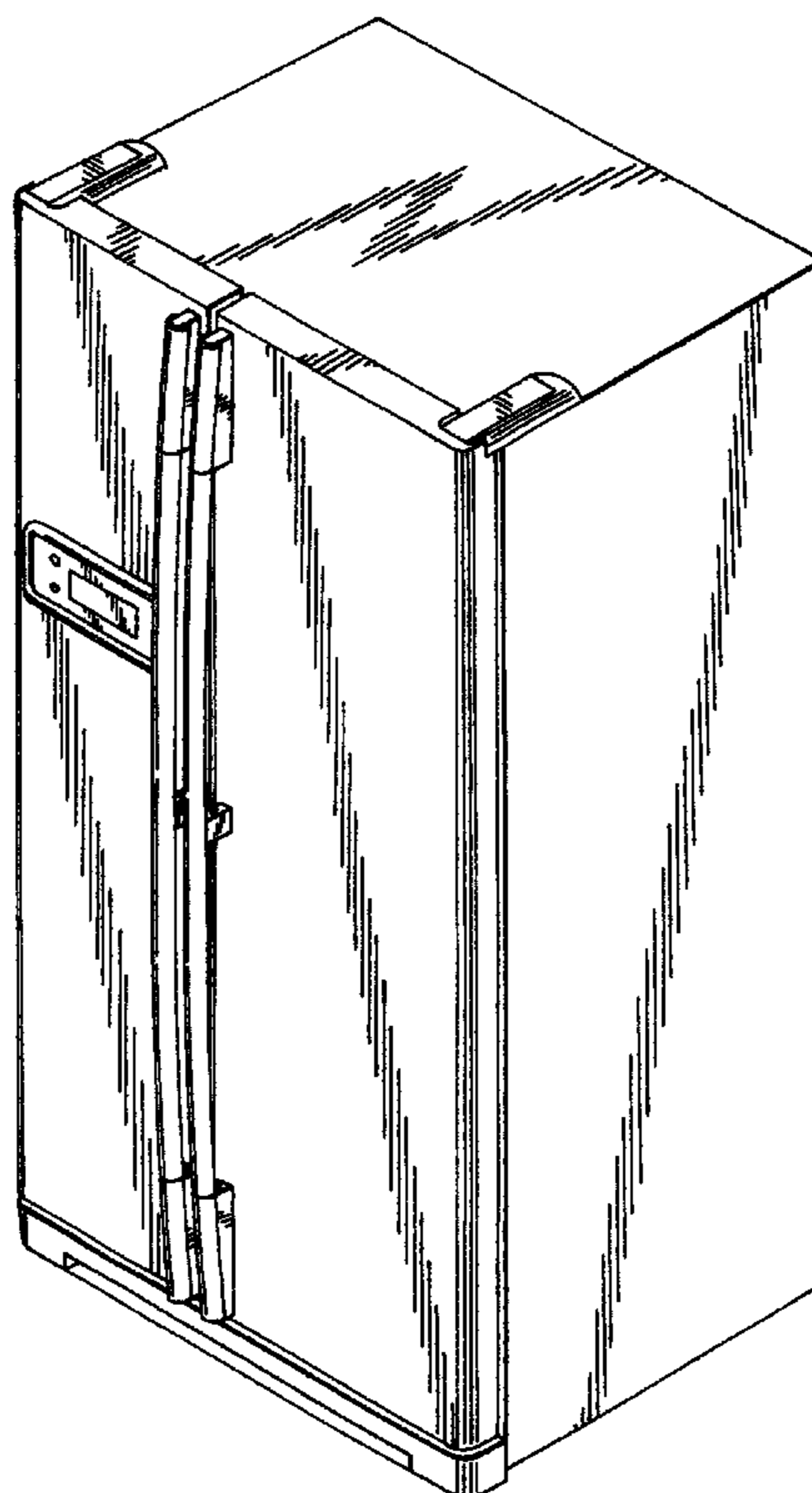


FIG. 1

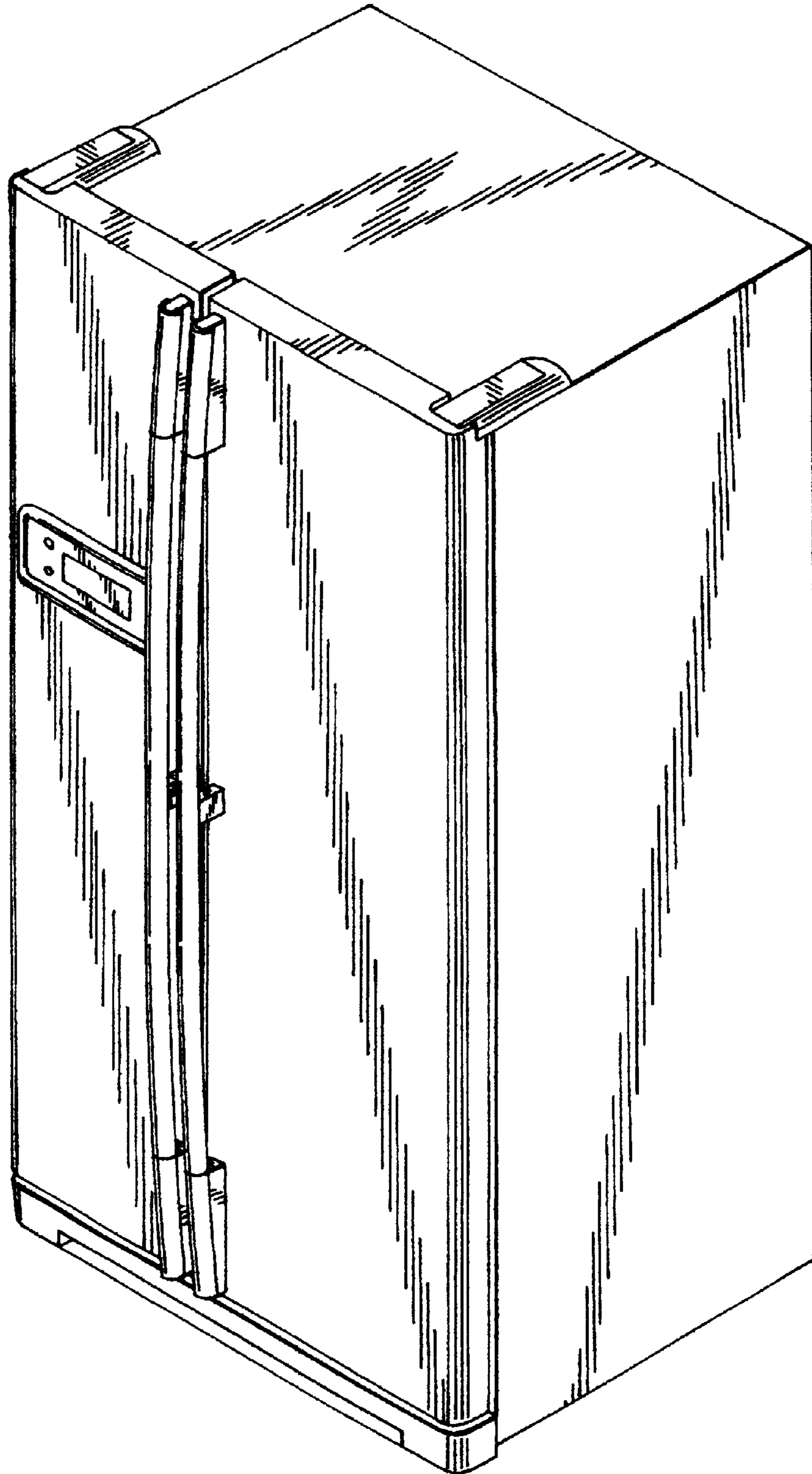


FIG. 2

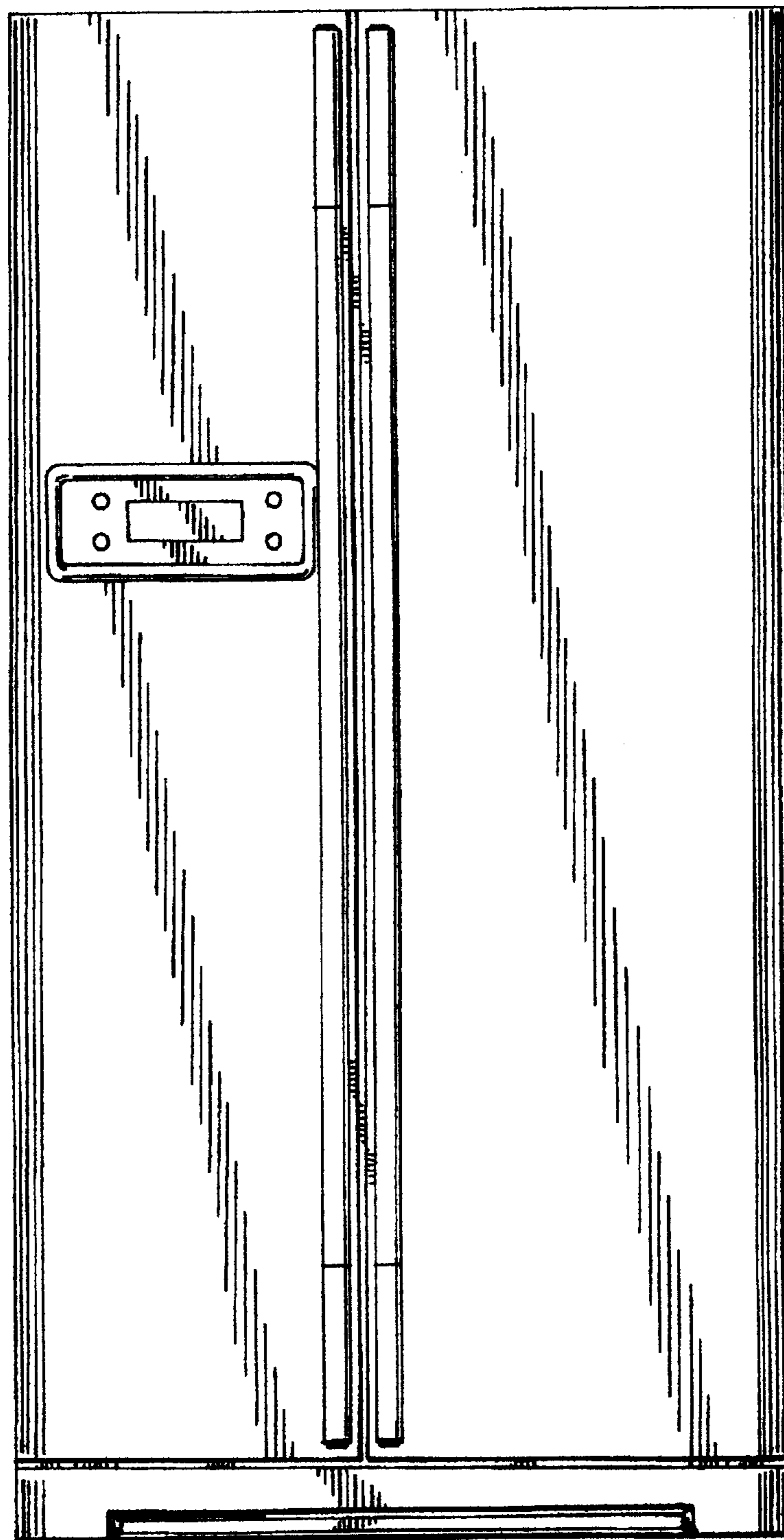


FIG. 3

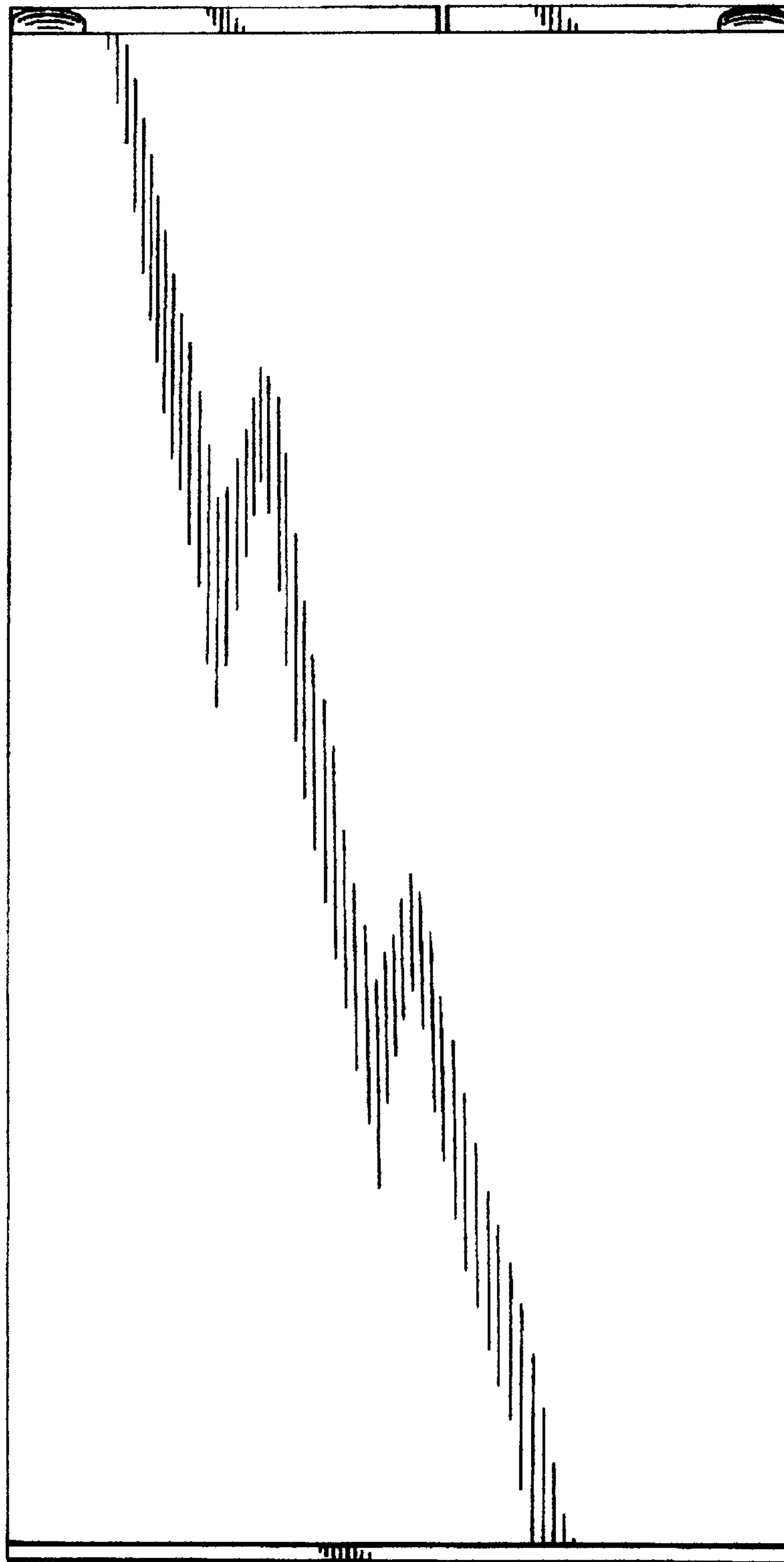


FIG. 4

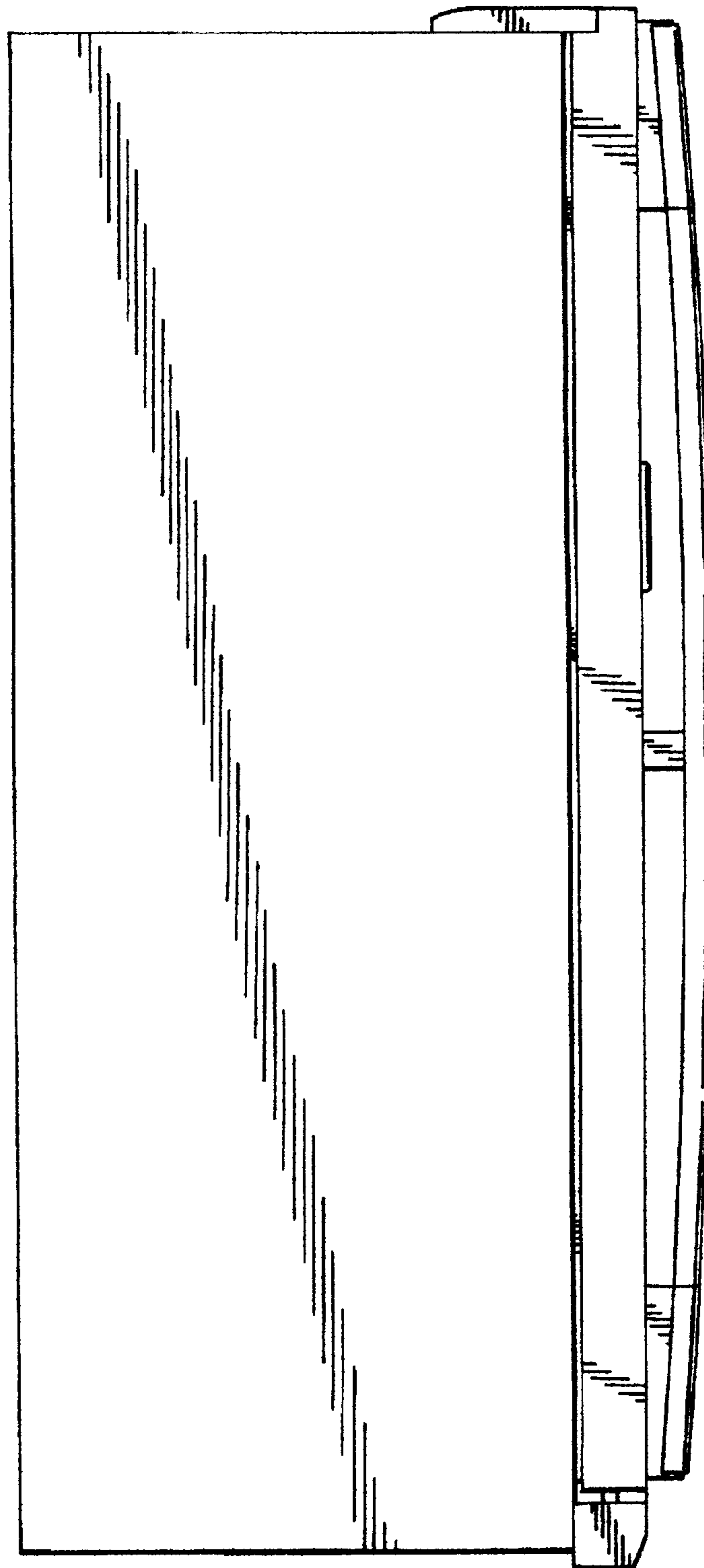


FIG. 5

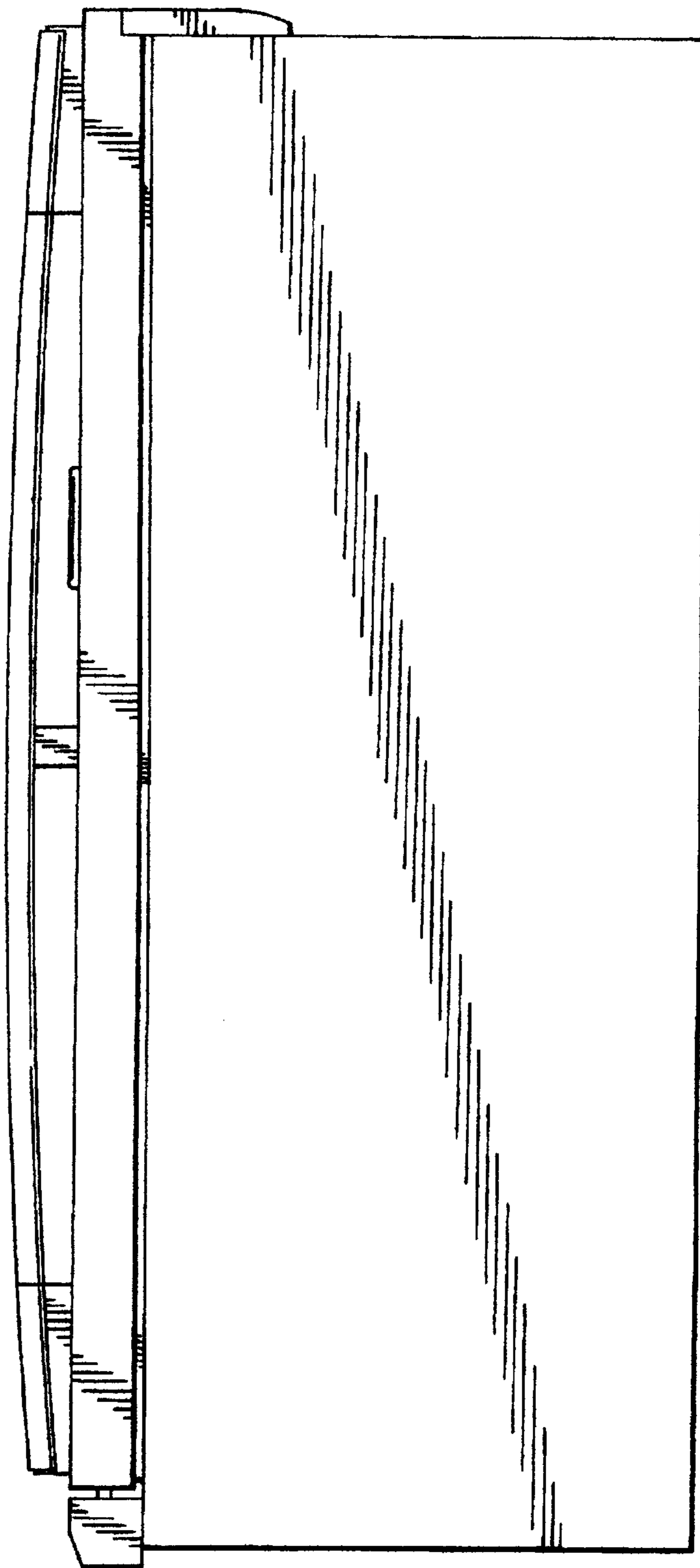


FIG. 6

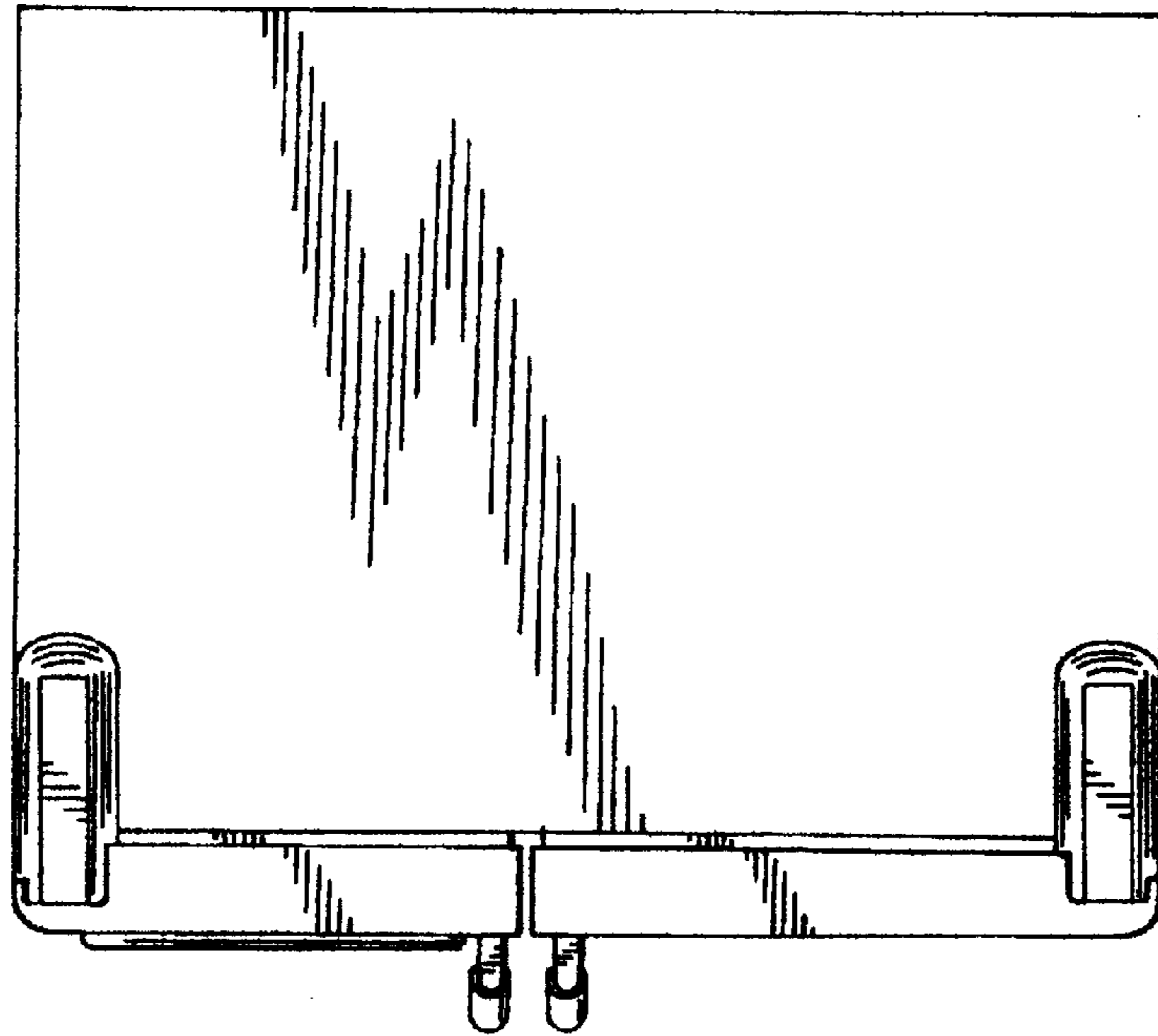


FIG. 7

