



US00D533883S

(12) **United States Design Patent**  
**Higashikawa et al.**

(10) **Patent No.:** **US D533,883 S**

(45) **Date of Patent:** **\*\* Dec. 19, 2006**

(54) **BOOM ASSEMBLY FOR A LOADER  
BUCKET**

(75) Inventors: **Yoshitaka Higashikawa, Sakai (JP);  
Hiroki Fukudome, Sakai (JP)**

(73) Assignee: **Kubota Corporation, Osaka (JP)**

(\*\*) Term: **14 Years**

(21) Appl. No.: **29/233,915**

(22) Filed: **Jul. 11, 2005**

(30) **Foreign Application Priority Data**

Jan. 14, 2005 (JP) ..... 2005-000827

(51) **LOC (8) Cl.** ..... **15-03**

(52) **U.S. Cl.** ..... **D15/32**

(58) **Field of Classification Search** ..... D15/10,  
D15/22-25, 28, 32; D34/36; 180/89.1, 89.12,  
180/89.13; 414/685, 540, 559, 694, 708,  
414/686, 723, 918, 680, 800, 722, 724; 172/272-275;  
37/304, 468; 212/347  
See application file for complete search history.

(56) **References Cited**

**U.S. PATENT DOCUMENTS**

D167,758 S	*	9/1952	Michaels et al.	.....	D15/32
D214,833 S	*	8/1969	Glemmen	.....	D15/32
3,489,303 A	*	1/1970	McMullen et al.	.....	414/686
3,863,786 A	*	2/1975	Frank	.....	414/686
3,944,089 A	*	3/1976	Polyanin et al.	.....	414/686
4,345,870 A	*	8/1982	Anderson et al.	.....	414/686
4,538,955 A	*	9/1985	Langenfeld et al.	.....	414/686
4,798,512 A	*	1/1989	Intveld	.....	414/722
D319,448 S	*	8/1991	Ball et al.	.....	D15/32
5,125,787 A	*	6/1992	Ball et al.	.....	414/722

5,232,330 A	*	8/1993	Rae et al.	.....	414/686
5,387,076 A	*	2/1995	Fuzzen	.....	414/686
D410,240 S	*	5/1999	Sasaki	.....	D15/32
D412,913 S	*	8/1999	Sasaki	.....	D15/32
5,984,618 A	*	11/1999	Deneve et al.	.....	414/722
5,997,237 A	*	12/1999	Langenfeld et al.	.....	414/723
6,035,941 A	*	3/2000	Hirooka et al.	.....	172/274
6,116,847 A	*	9/2000	Ginn et al.	.....	414/722
D449,055 S	*	10/2001	Guier	.....	D15/28
D451,105 S	*	11/2001	Masumoto et al.	.....	D15/28
6,386,821 B1	*	5/2002	Schneider	.....	414/686
D459,368 S	*	6/2002	Westendorf et al.	.....	D15/32
6,409,459 B1	*	6/2002	Ginn et al.	.....	414/685

\* cited by examiner

*Primary Examiner*—Mitchell Siegel

*Assistant Examiner*—Mark Goodwin

(74) *Attorney, Agent, or Firm*—The Webb Law Firm

(57) **CLAIM**

The ornamental design for a boom assembly for a loader bucket, as shown and described.

**DESCRIPTION**

FIG. 1 is a Front View of our boom assembly for a loader bucket;

FIG. 2 is a Rear View thereof;

FIG. 3 Left Side View thereof;

FIG. 4 Right Side View thereof;

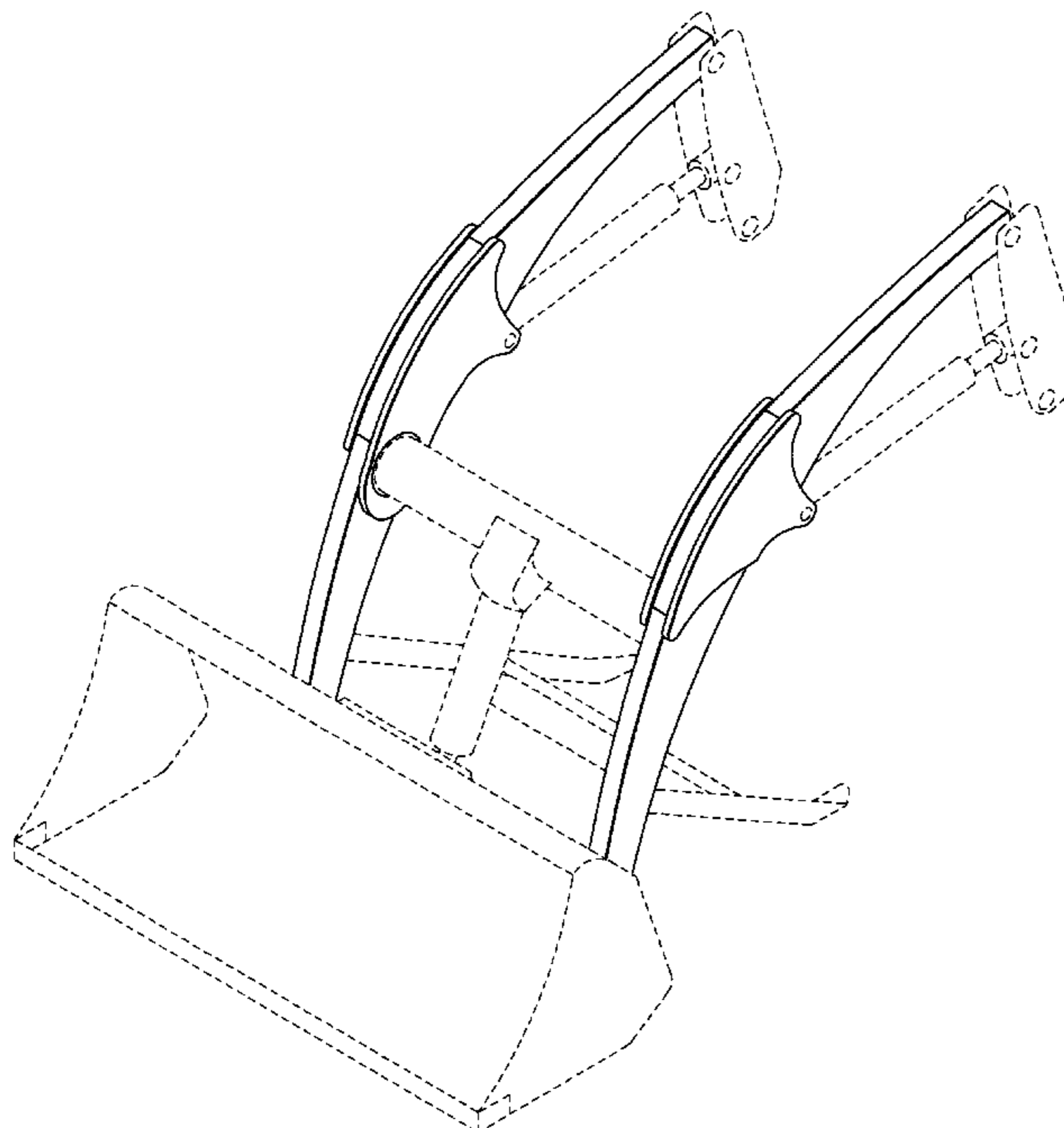
FIG. 5 is a Top Plan View thereof;

FIG. 6 is a Bottom Plan View thereof; and,

FIG. 7 is a Perspective View.

The broken line showing throughout the disclosure is for illustrative purposes only and forms no part of the claimed design.

**1 Claim, 7 Drawing Sheets**



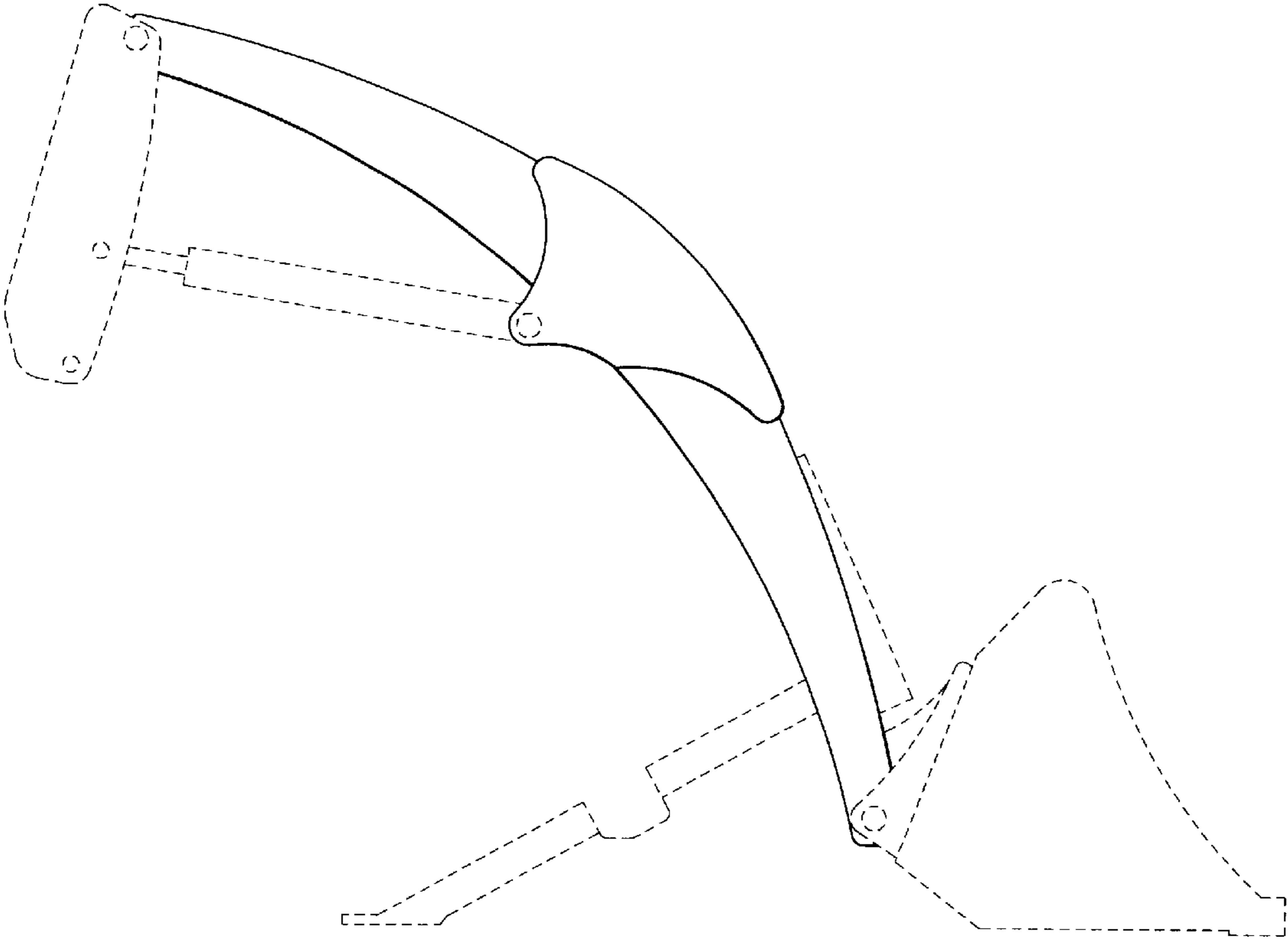


FIG. 1

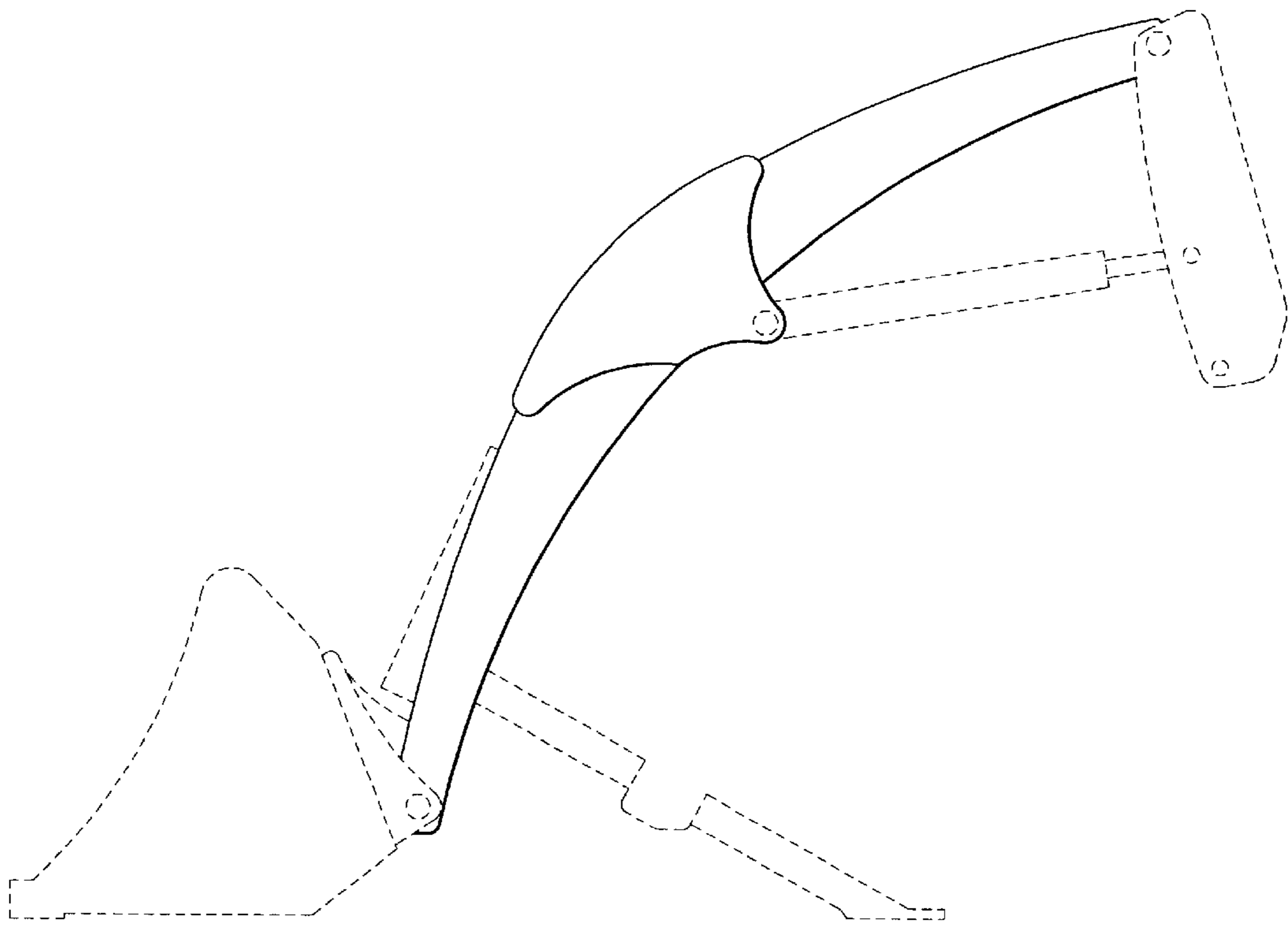


FIG. 2

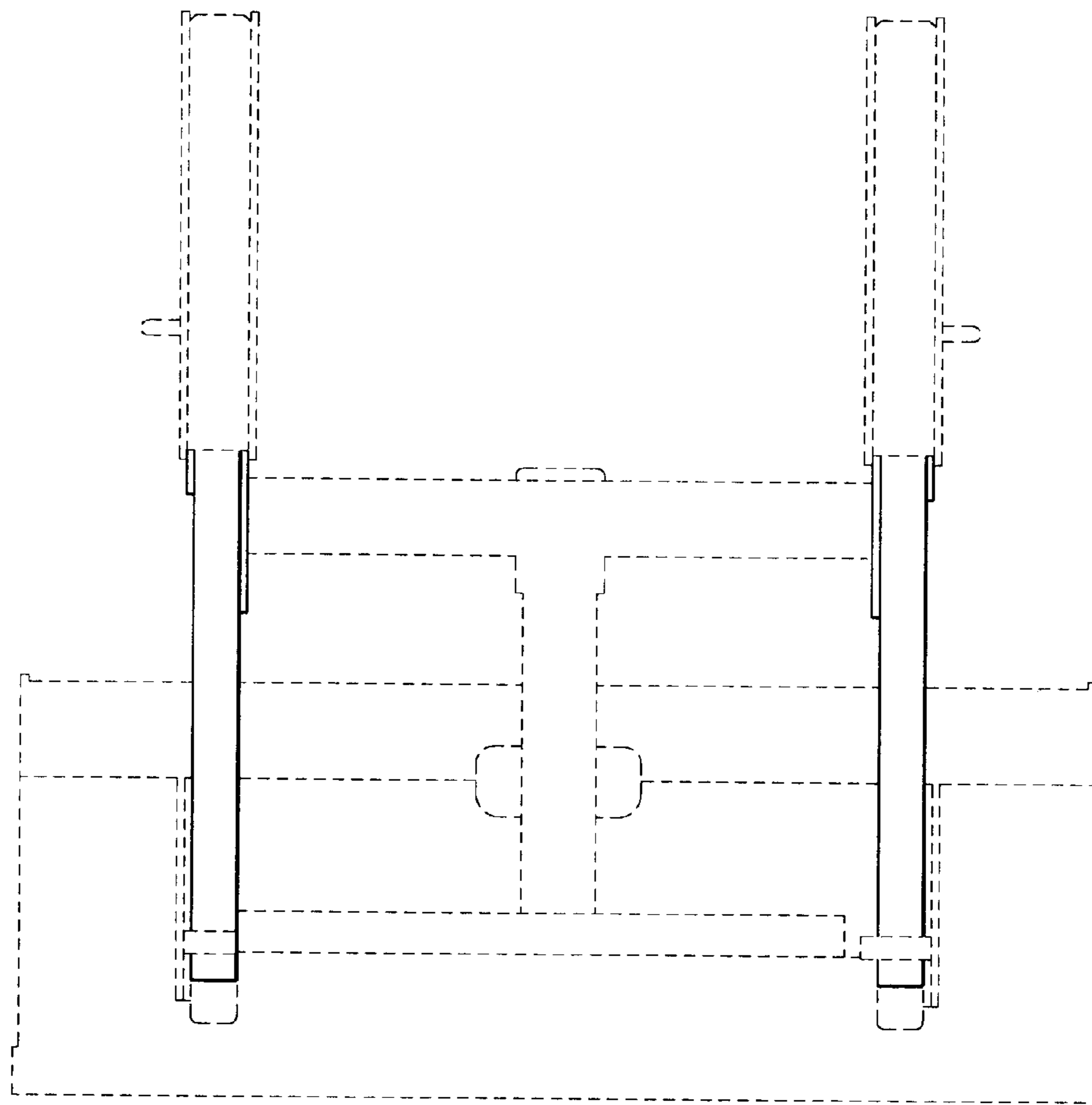


FIG. 3

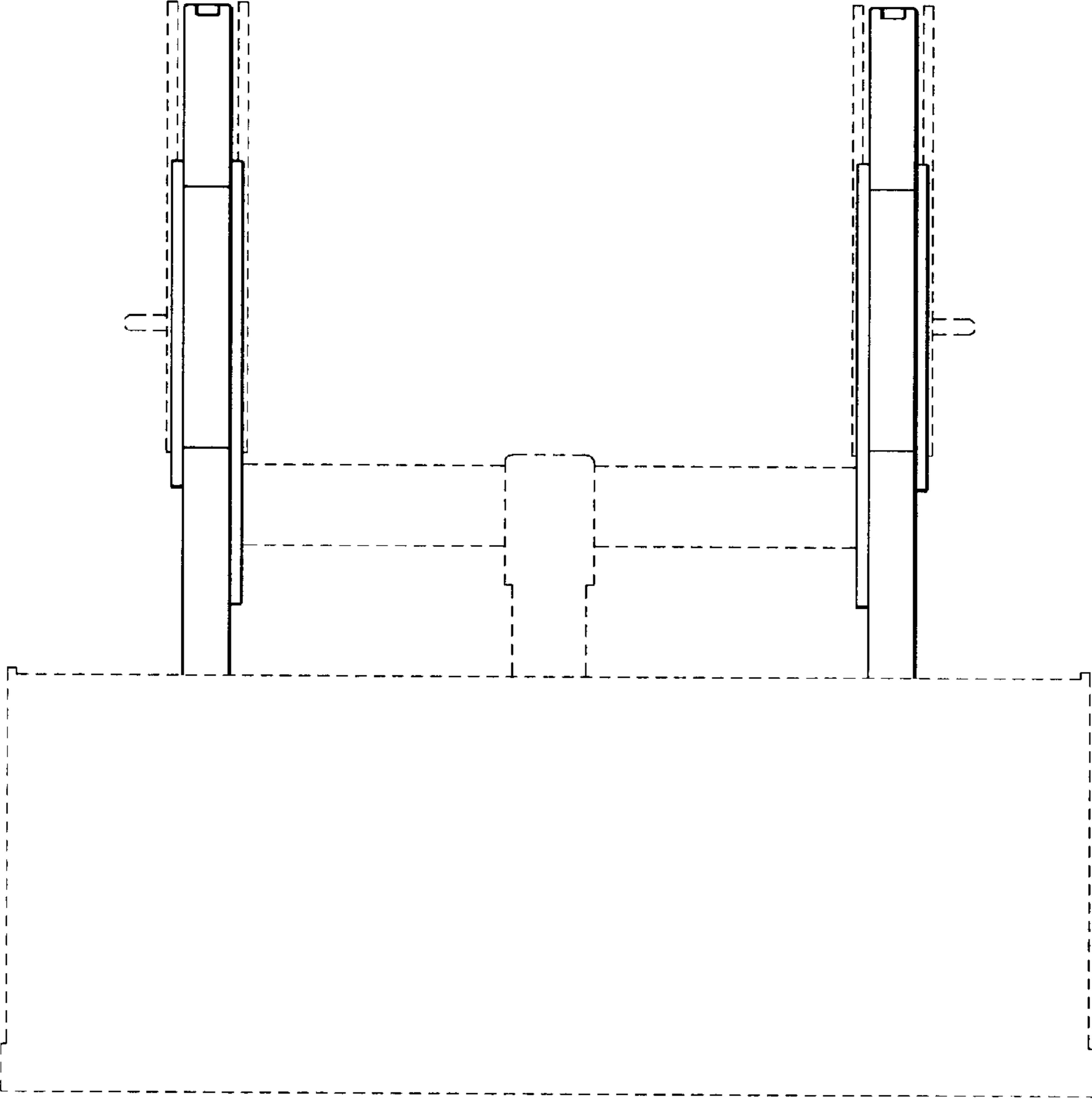
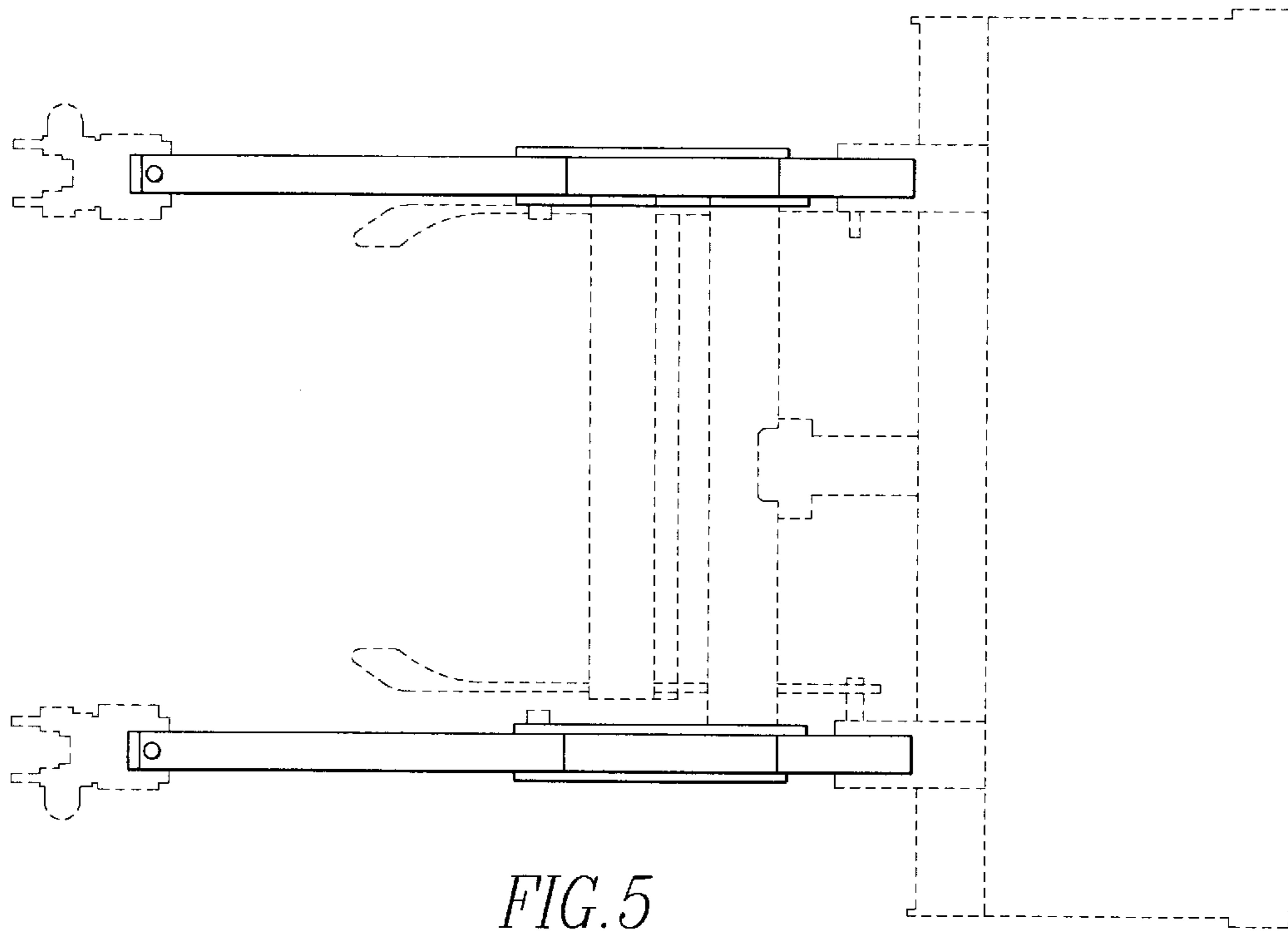


FIG. 4



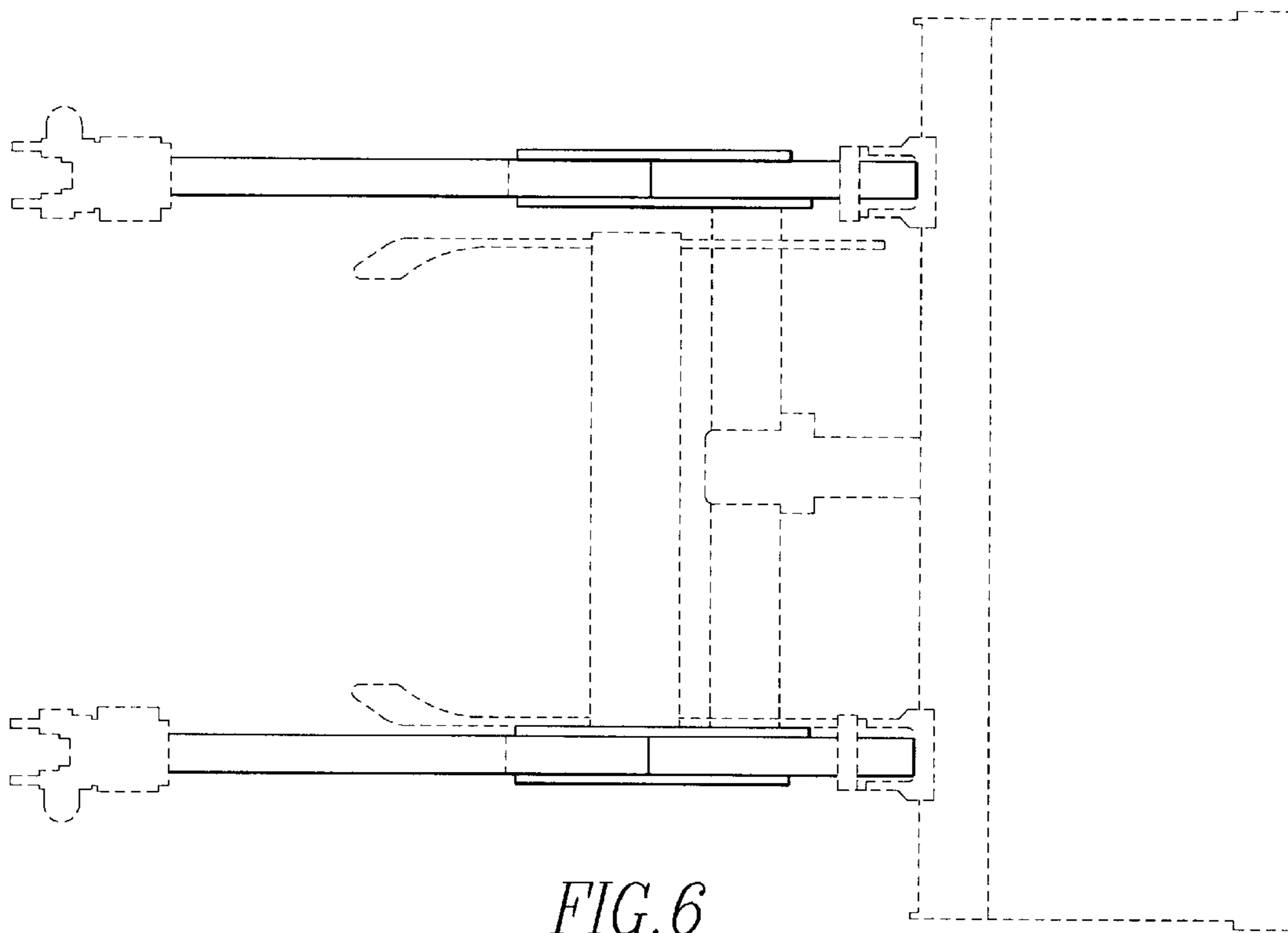


FIG. 6

