



US00D533880S

(12) **United States Design Patent**  
**Chen**

(10) **Patent No.:** **US D533,880 S**

(45) **Date of Patent:** **\*\* Dec. 19, 2006**

(54) **SMALL PORTABLE AIR COMPRESSOR FOR INK PENS**

D447,752 S \* 9/2001 Matthew et al. .... D15/9  
D485,281 S \* 1/2004 Hsiao ..... D15/9

(75) Inventor: **Kwang-Tsan Chen**, Taipei (TW)

\* cited by examiner

(73) Assignee: **Ding Hwa Co., Ltd.**, Taipei (TW)

*Primary Examiner*—Ralf Seifert

(\*\*) Term: **14 Years**

(74) *Attorney, Agent, or Firm*—Troxell Law Office, PLLC

(21) Appl. No.: **29/241,233**

(57) **CLAIM**

(22) Filed: **Oct. 26, 2005**

The ornamental design for a small portable air compressor for ink pens, as shown and described.

(51) **LOC (8) Cl.** ..... **15-02**

(52) **U.S. Cl.** ..... **D15/7**

(58) **Field of Classification Search** ..... D15/7-9;  
D23/232, 231; 417/359, 415-416, 410.1,  
417/321, 265, 405

See application file for complete search history.

**DESCRIPTION**

(56) **References Cited**

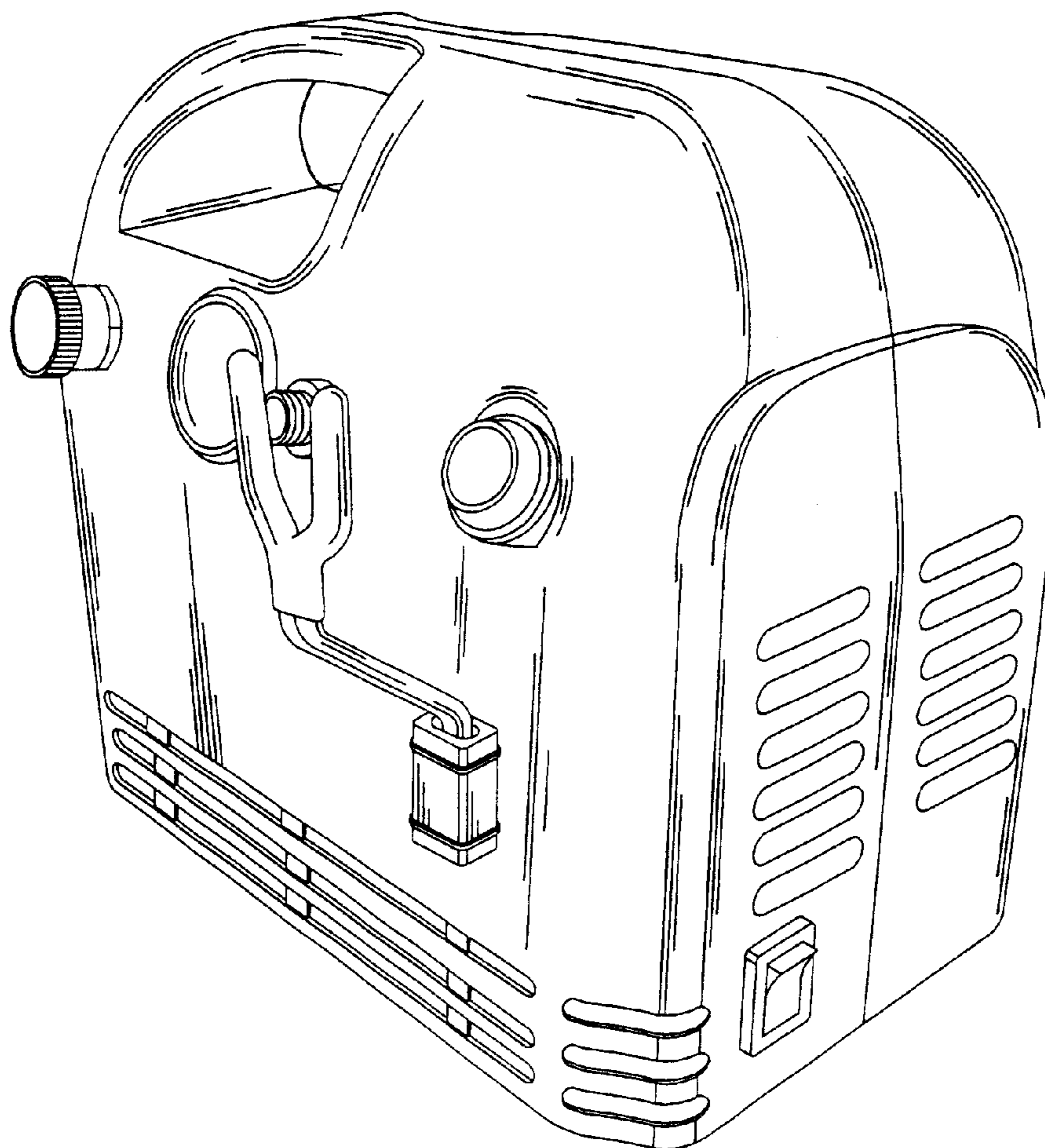
**U.S. PATENT DOCUMENTS**

D375,505 S \* 11/1996 Wong ..... D15/9  
D403,330 S \* 12/1998 Williams ..... D15/9  
D403,331 S \* 12/1998 Williams ..... D15/9

FIG. 1 is a perspective view of a small portable air compressor for ink pens;  
FIG. 2 is a front view thereof;  
FIG. 3 is a back view thereof;  
FIG. 4 is a left side view thereof;  
FIG. 5 is a right side view thereof;  
FIG. 6 is a top view thereof;  
FIG. 7 is a bottom view thereof; and,  
FIG. 8 is an embodiment view thereof.

It being understood that the broken lines are for illustrative purposes only and form no part of the claimed design.

**1 Claim, 8 Drawing Sheets**



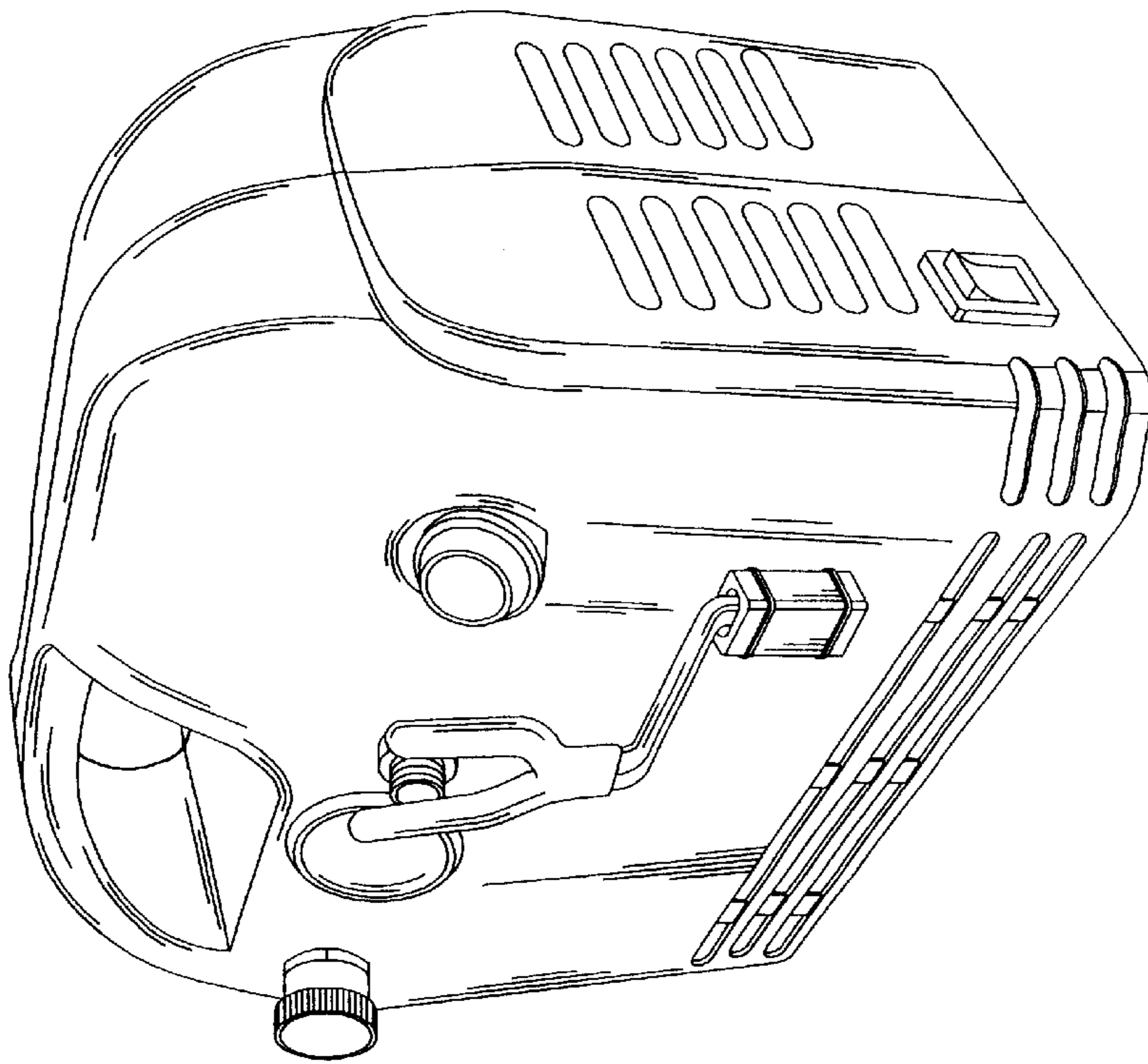


FIG. 1

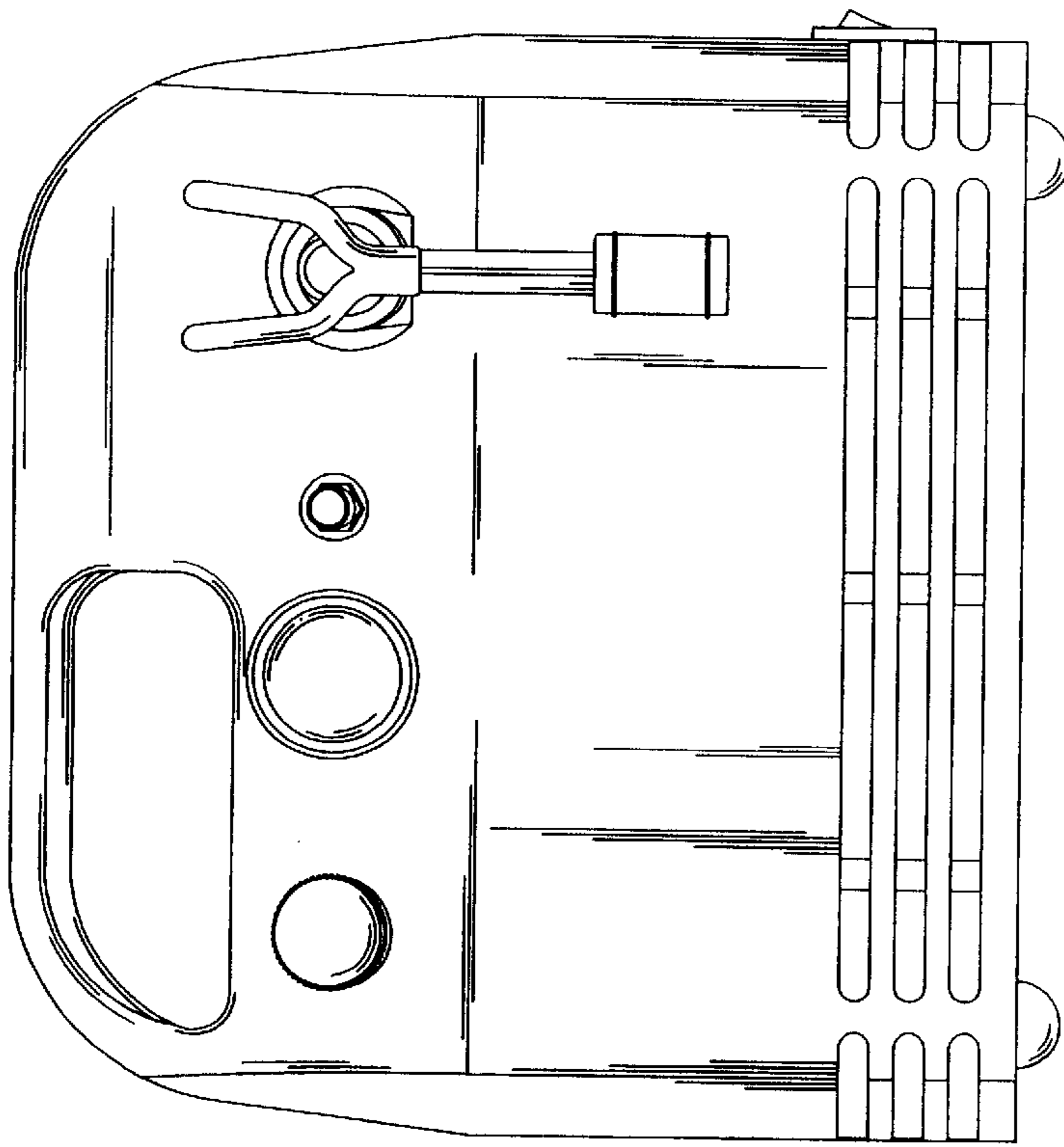


FIG. 2

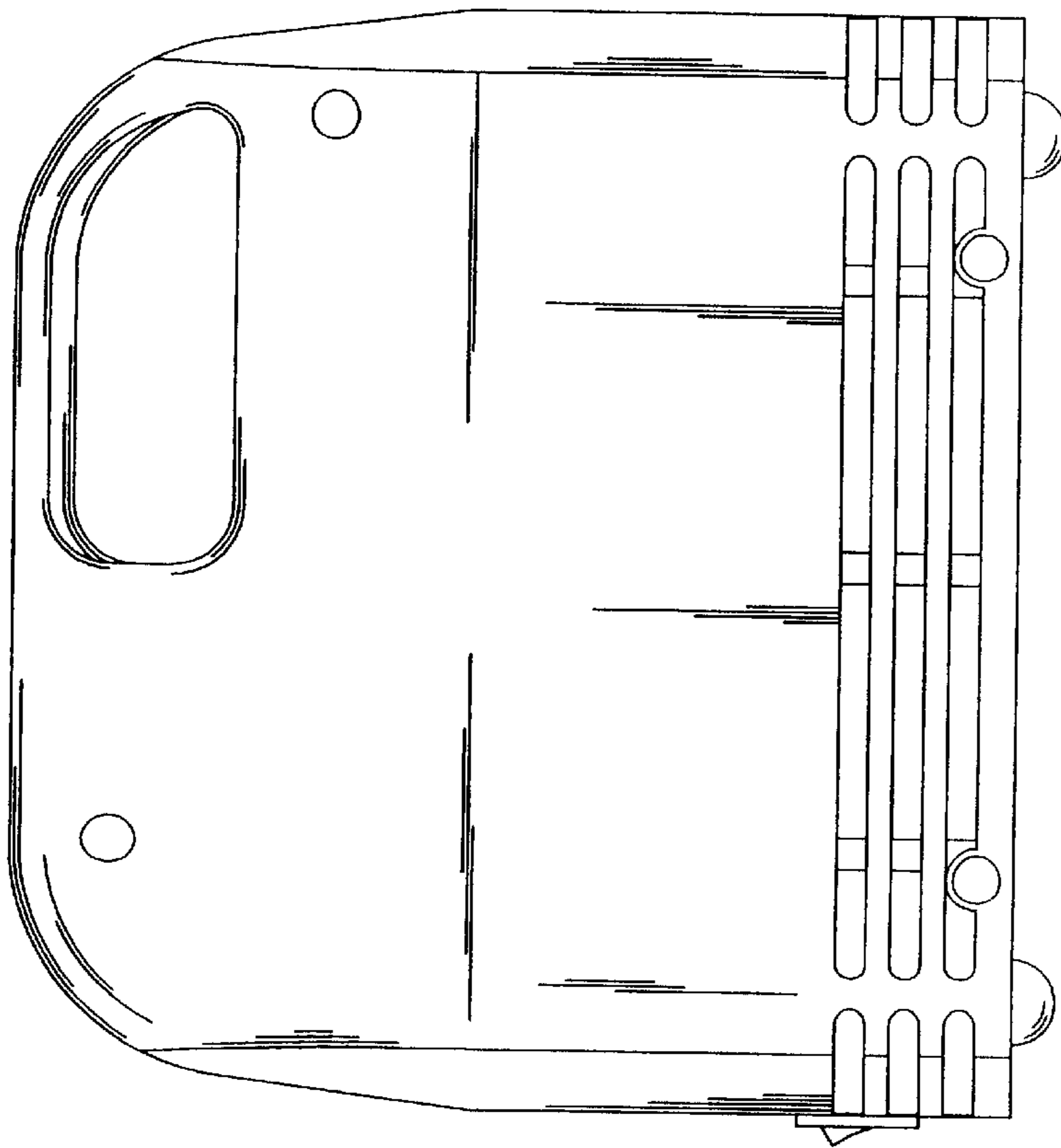


FIG. 3

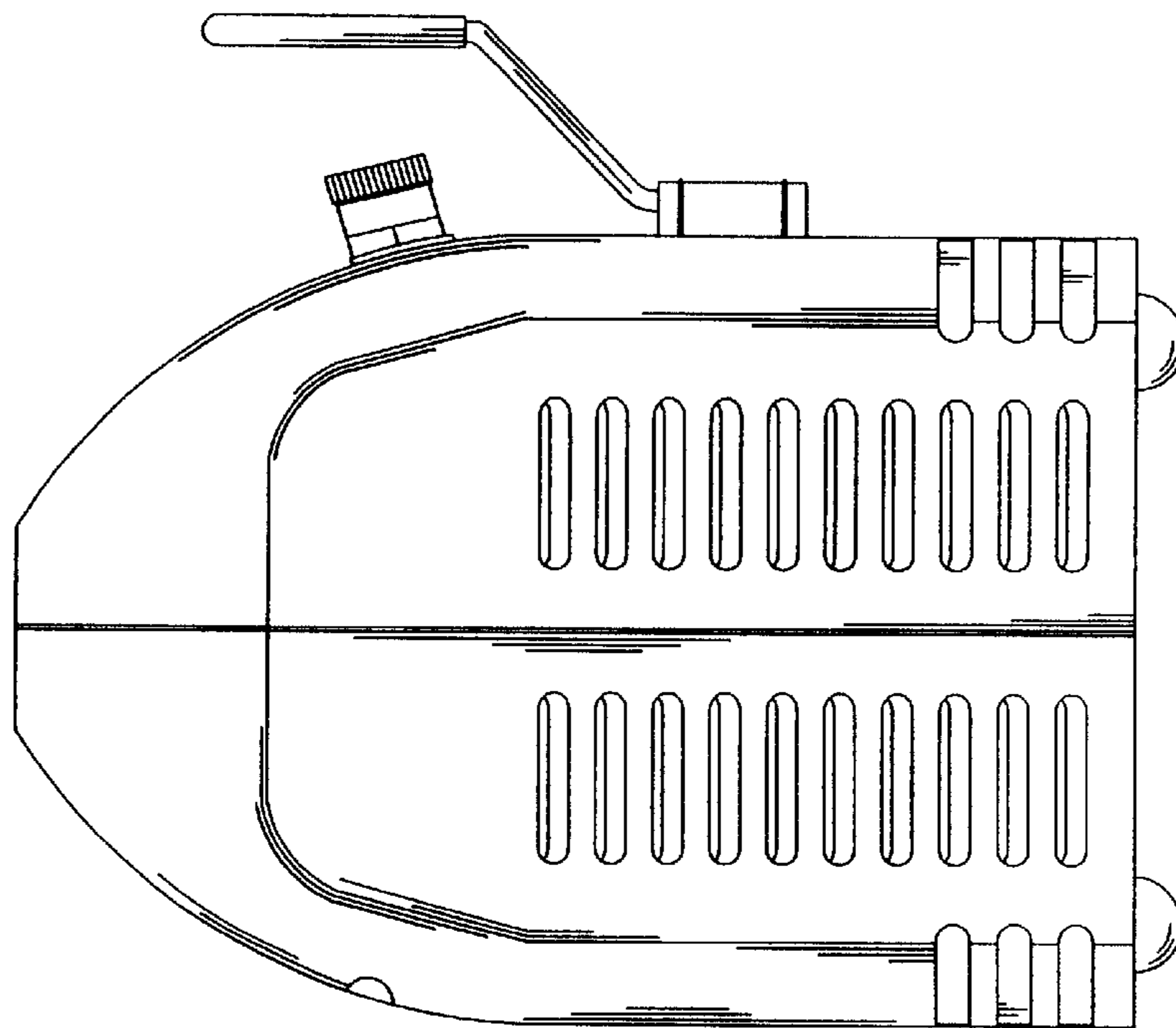


FIG. 4

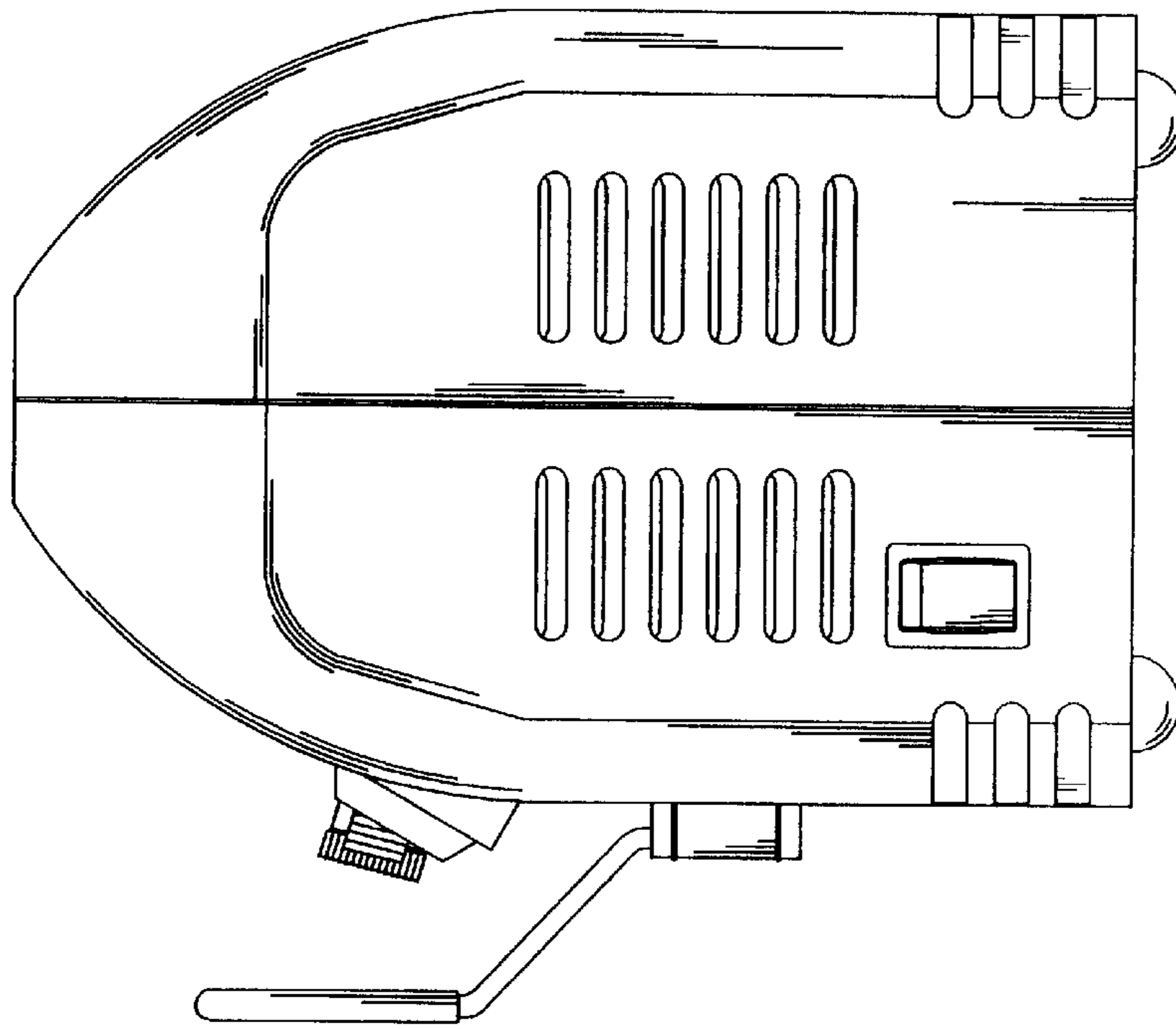


FIG. 5

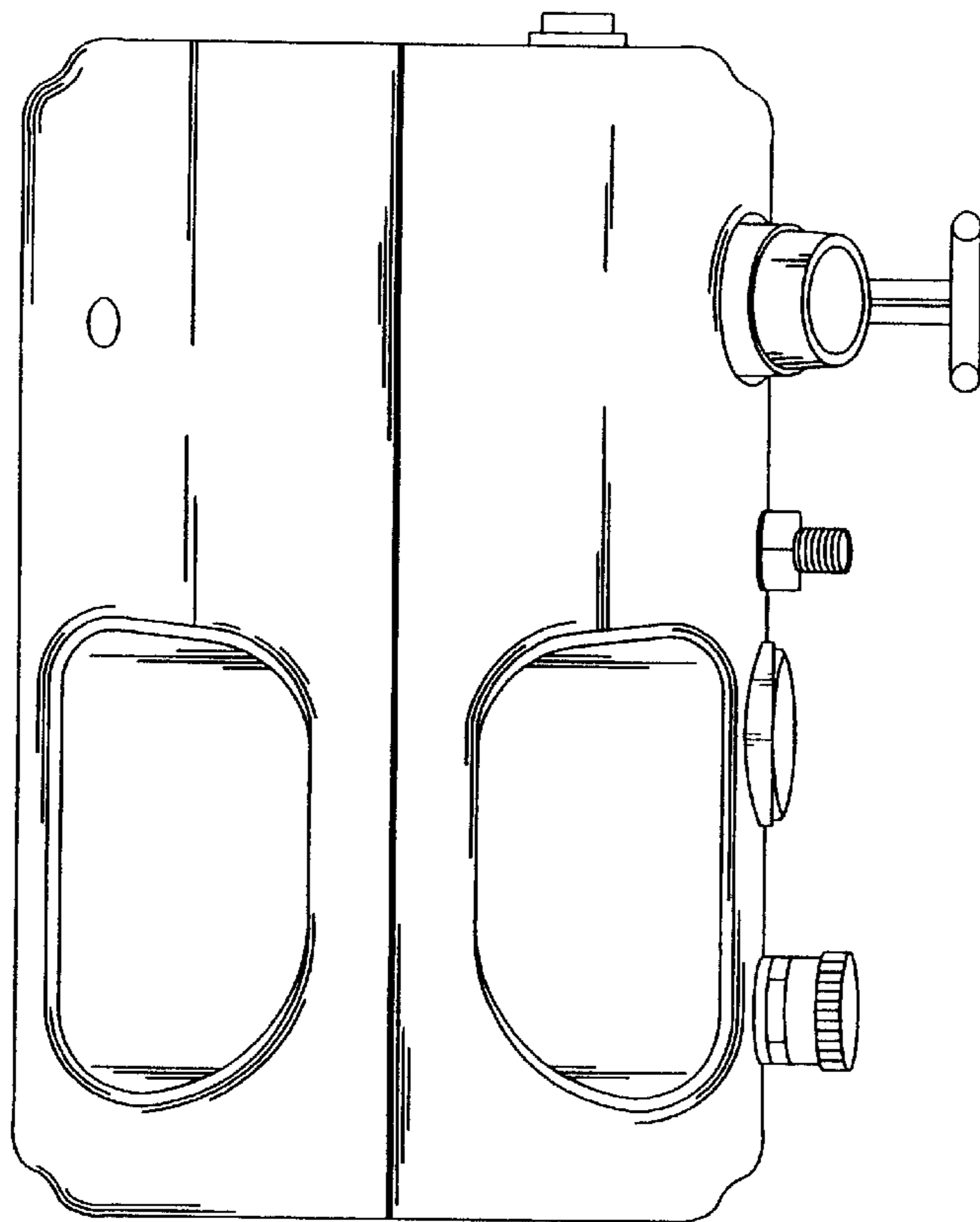


FIG. 6

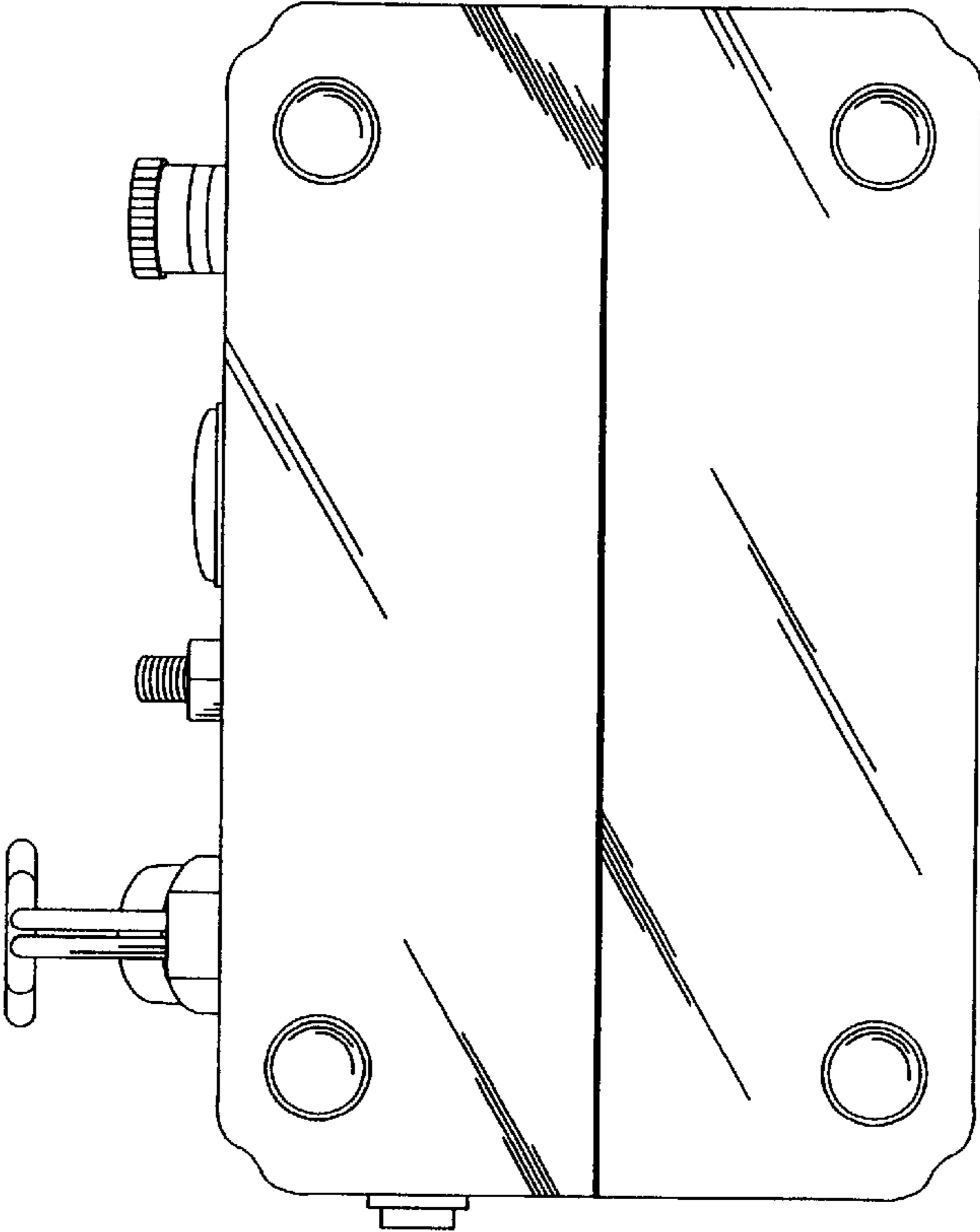


FIG. 7



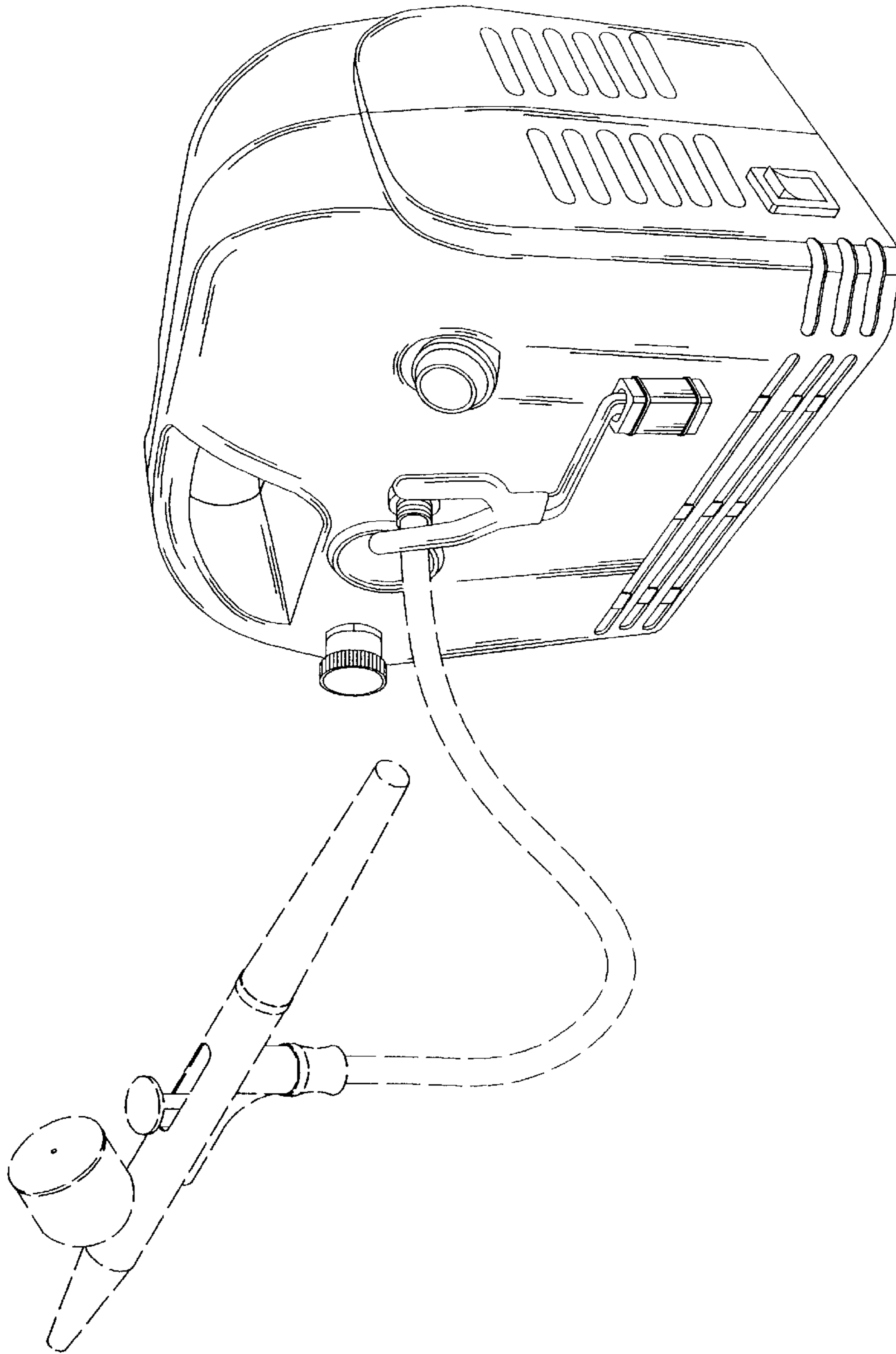


FIG. 8