



US00D533879S

(12) **United States Design Patent**
Chen

(10) **Patent No.:** **US D533,879 S**

(45) **Date of Patent:** **** Dec. 19, 2006**

(54) **SMALL BELT-PACK AIR COMPRESSOR
FOR INK PENS**

D498,769 S * 11/2004 Chou D15/9
D499,426 S * 12/2004 Chou D15/7

(75) Inventor: **Kwang-Tsan Chen**, Taipei (TW)

* cited by examiner

(73) Assignee: **Ding Hwa Co., Ltd.**, Taipei (TW)

Primary Examiner—Ralf Seifert

(**) Term: **14 Years**

(74) *Attorney, Agent, or Firm*—Troxell Law Office, PLLC

(21) Appl. No.: **29/241,232**

(57) **CLAIM**

(22) Filed: **Oct. 26, 2005**

The ornamental design for a small belt-pack air compressor for ink pens, as shown and described.

(51) **LOC (8) Cl.** **15-02**

(52) **U.S. Cl.** **D15/7**

(58) **Field of Classification Search** D15/7-9;
D23/232, 231; 417/359, 415-416, 410.1,
417/321, 265, 405

See application file for complete search history.

DESCRIPTION

(56) **References Cited**

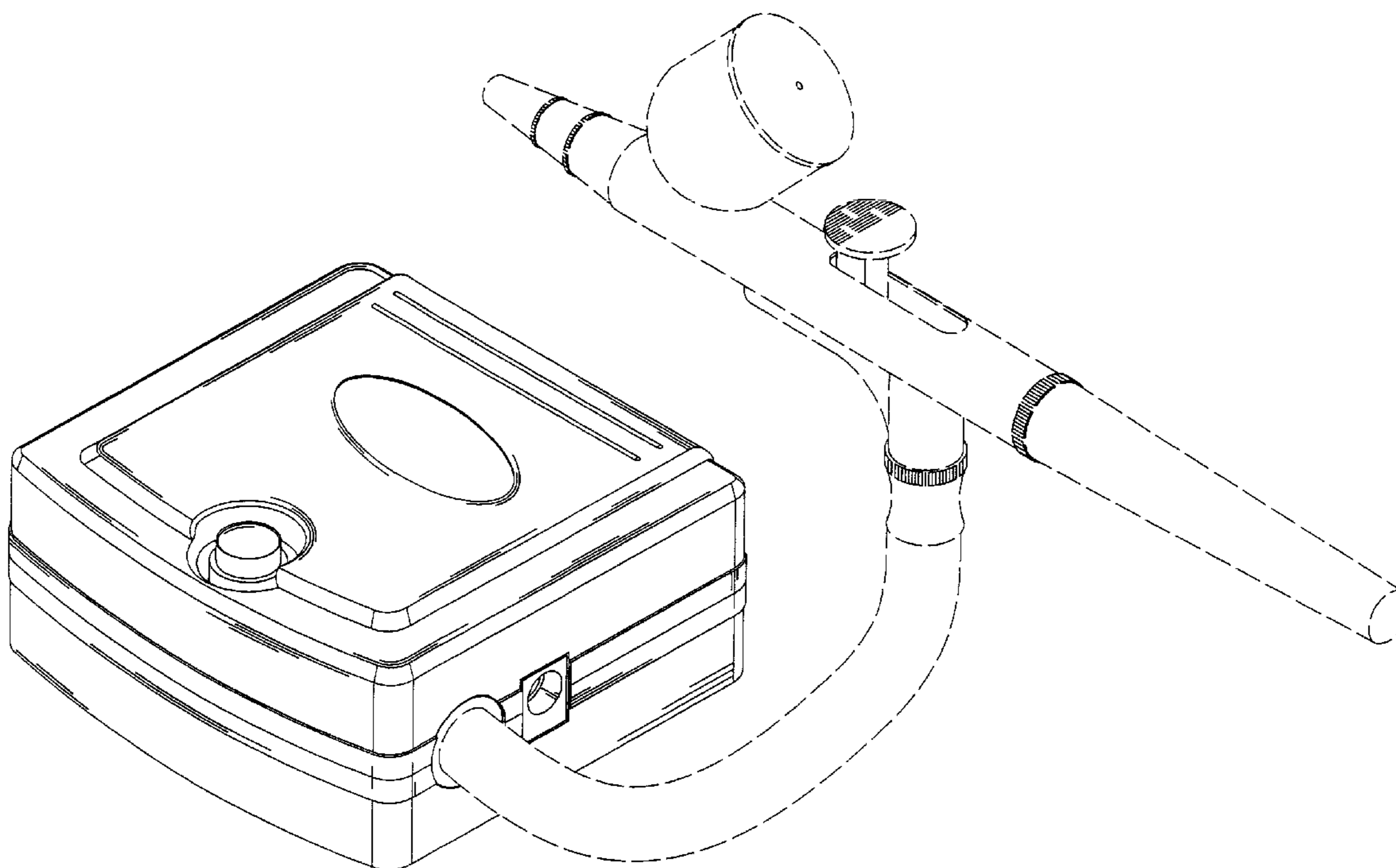
U.S. PATENT DOCUMENTS

D314,420 S * 2/1991 Tomatsu D23/225
D498,243 S * 11/2004 Chou D15/7
D498,767 S * 11/2004 Chou D15/7

FIG. 1 is a perspective view of a small belt-pack air compressor for ink pens;
FIG. 2 is a front view thereof;
FIG. 3 is a back view thereof;
FIG. 4 is a left side view thereof;
FIG. 5 is a right side view thereof;
FIG. 6 is a top view thereof;
FIG. 7 is a bottom view thereof; and,
FIG. 8 is an embodiment view thereof.

It being understood that the broken lines are for illustrative purposes only and form no part of the claimed design.

1 Claim, 8 Drawing Sheets



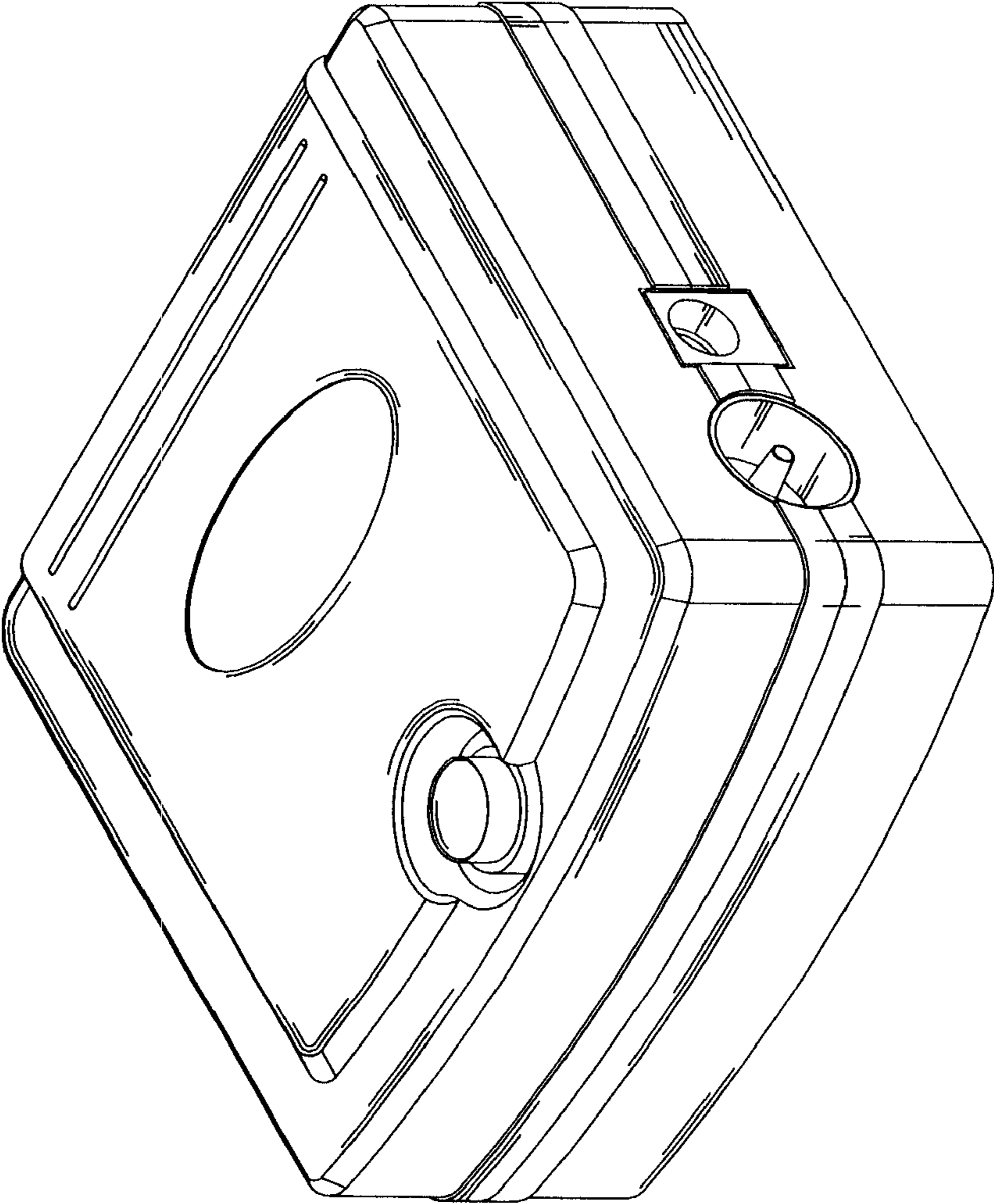


FIG. 1

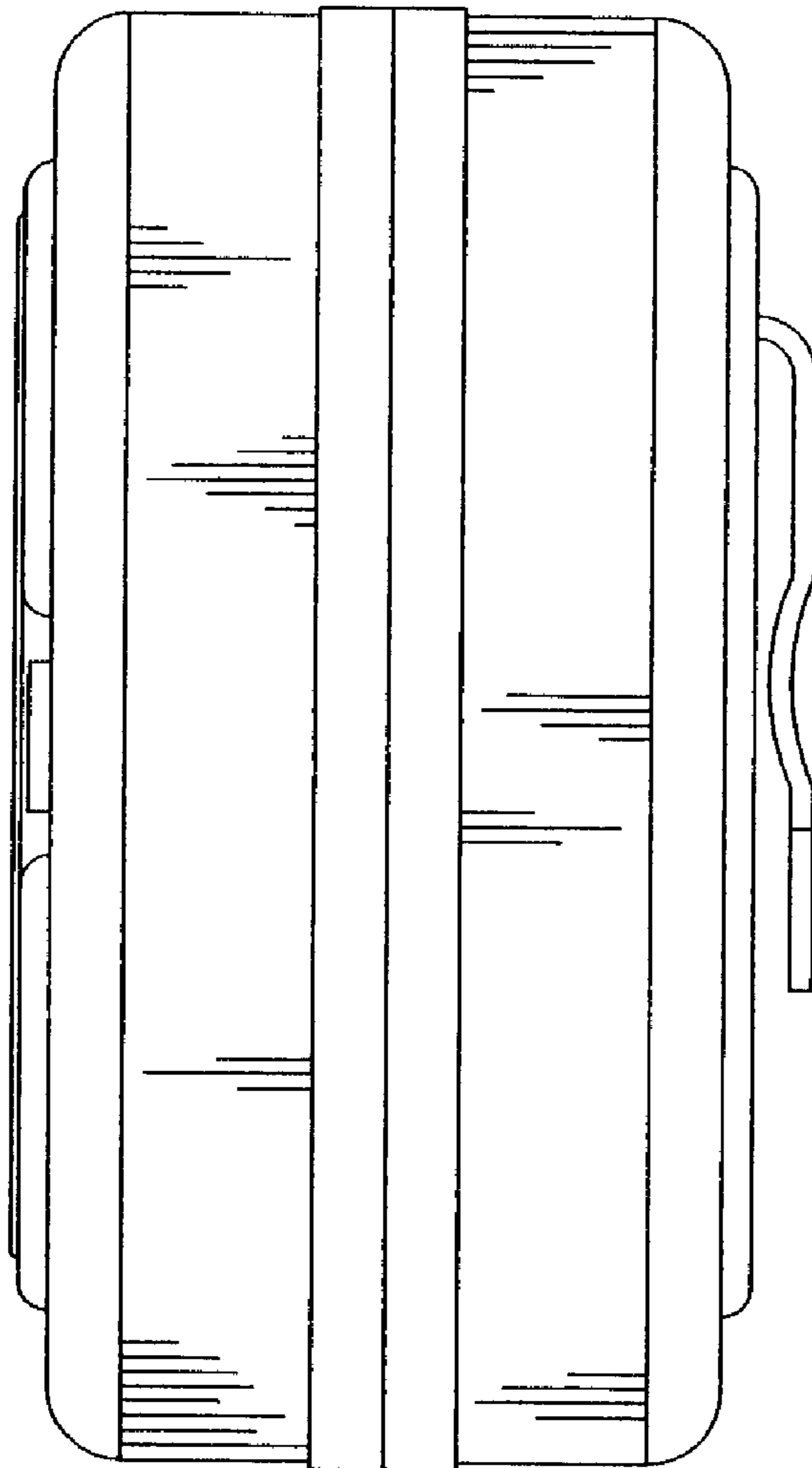


FIG. 2

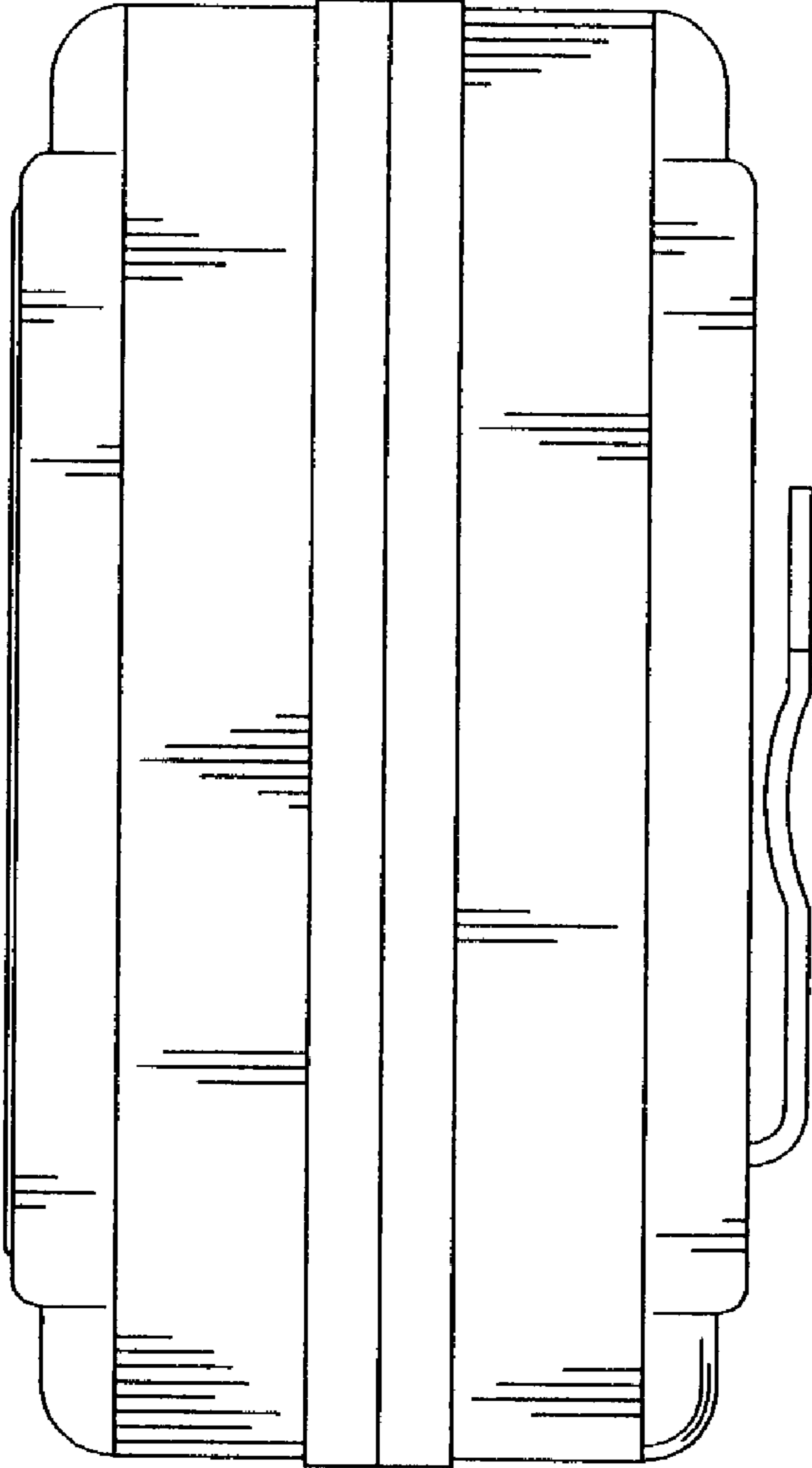


FIG. 3

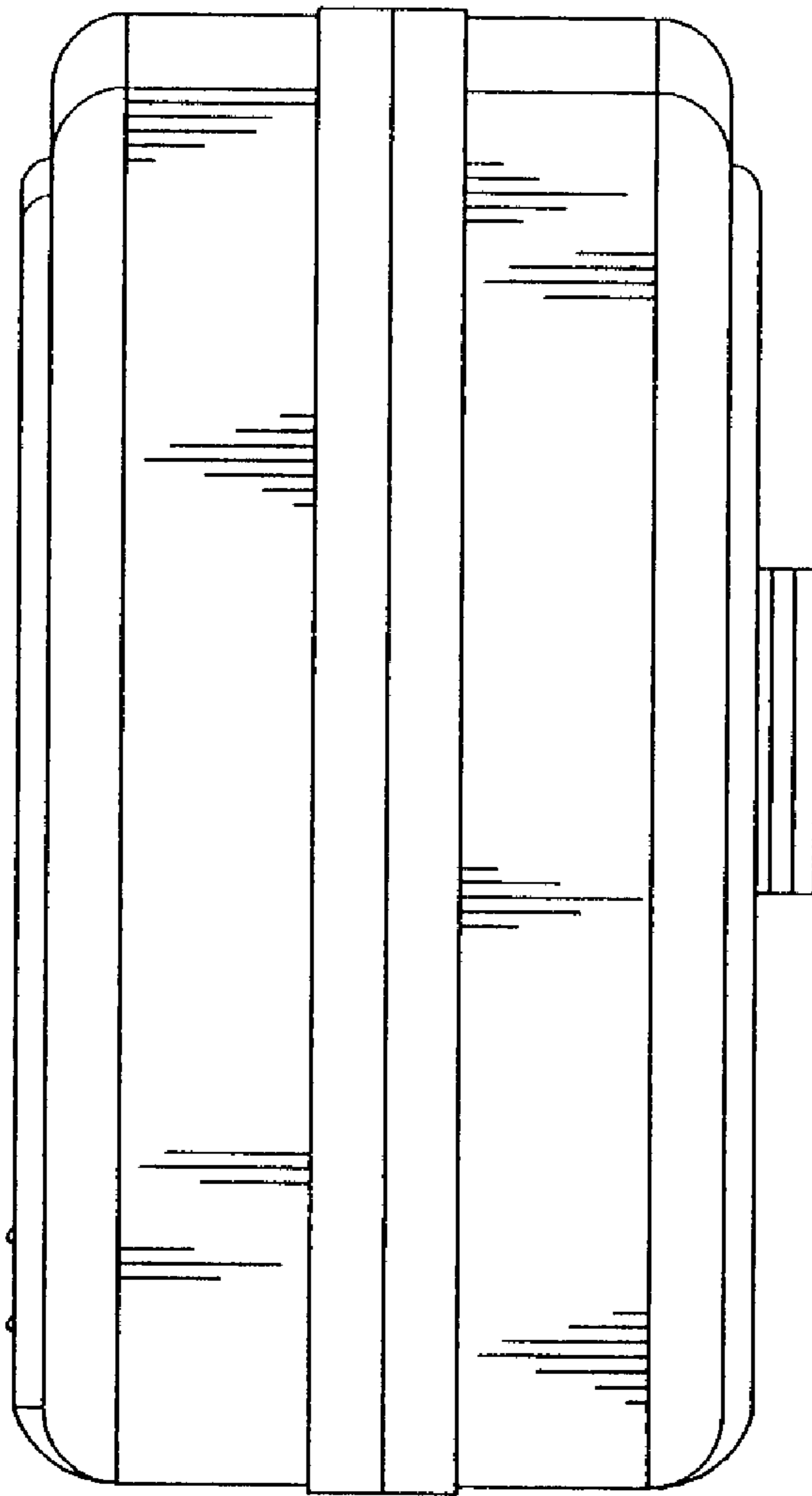


FIG. 4

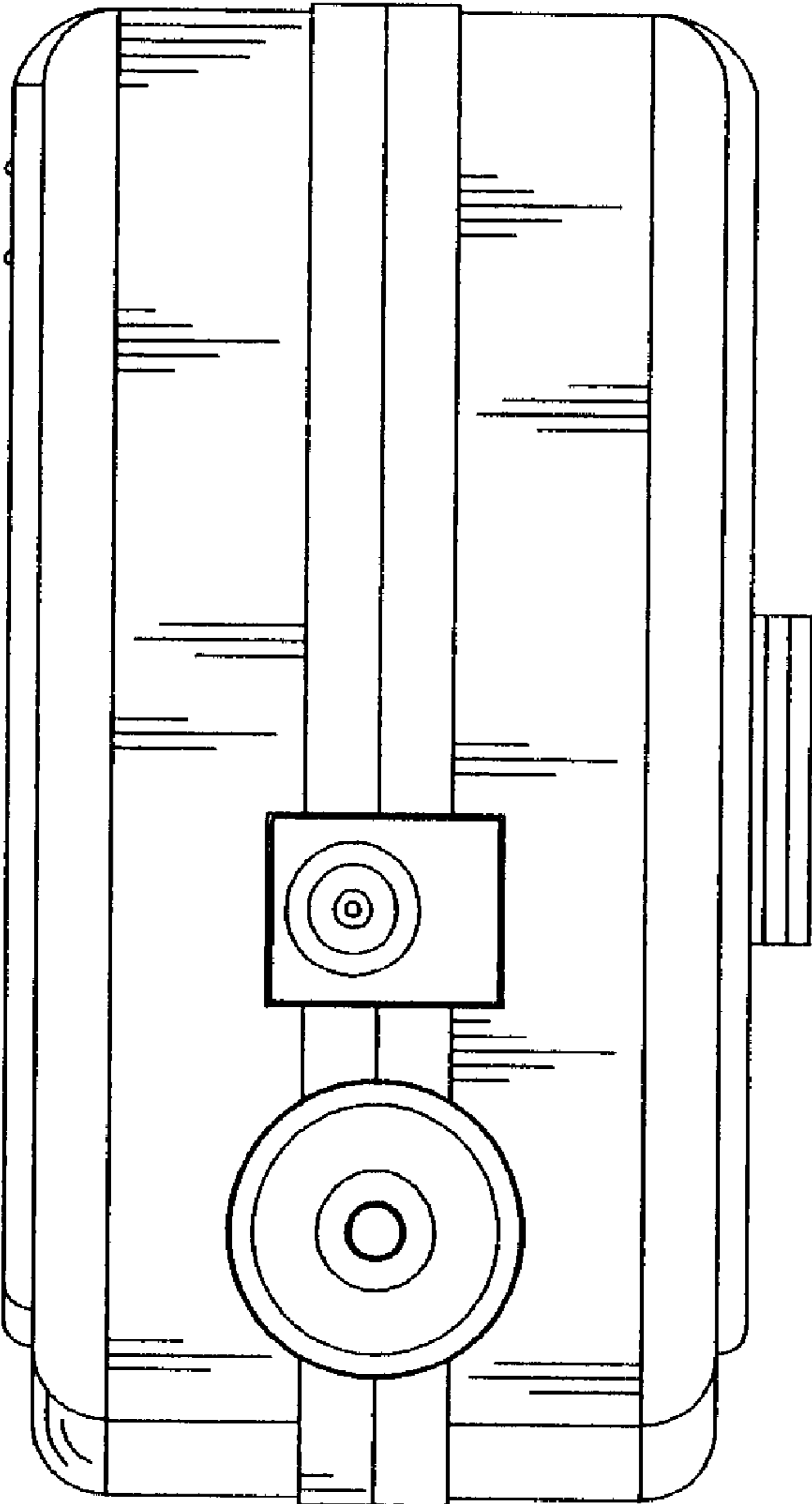


FIG. 5

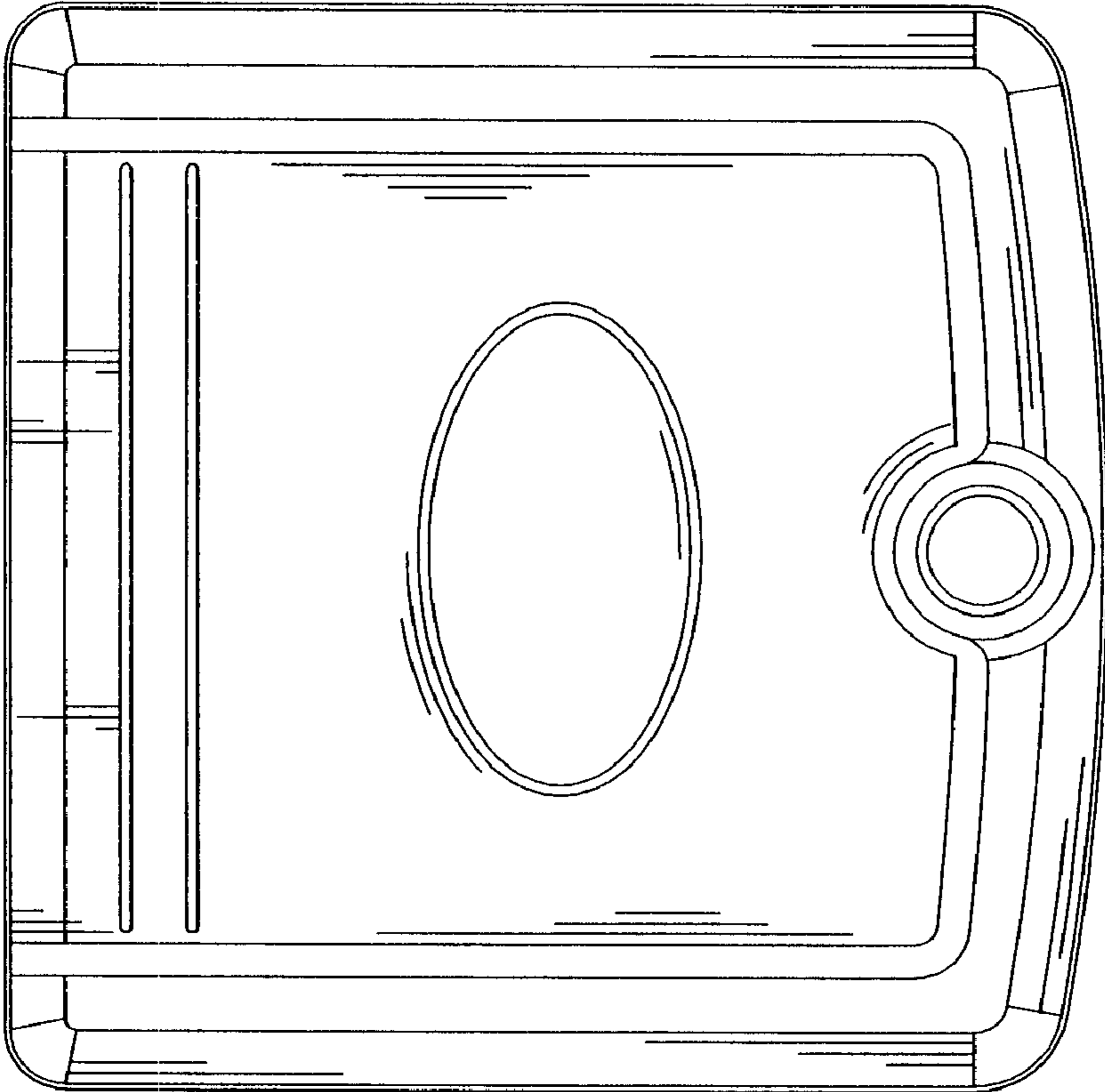


FIG. 6

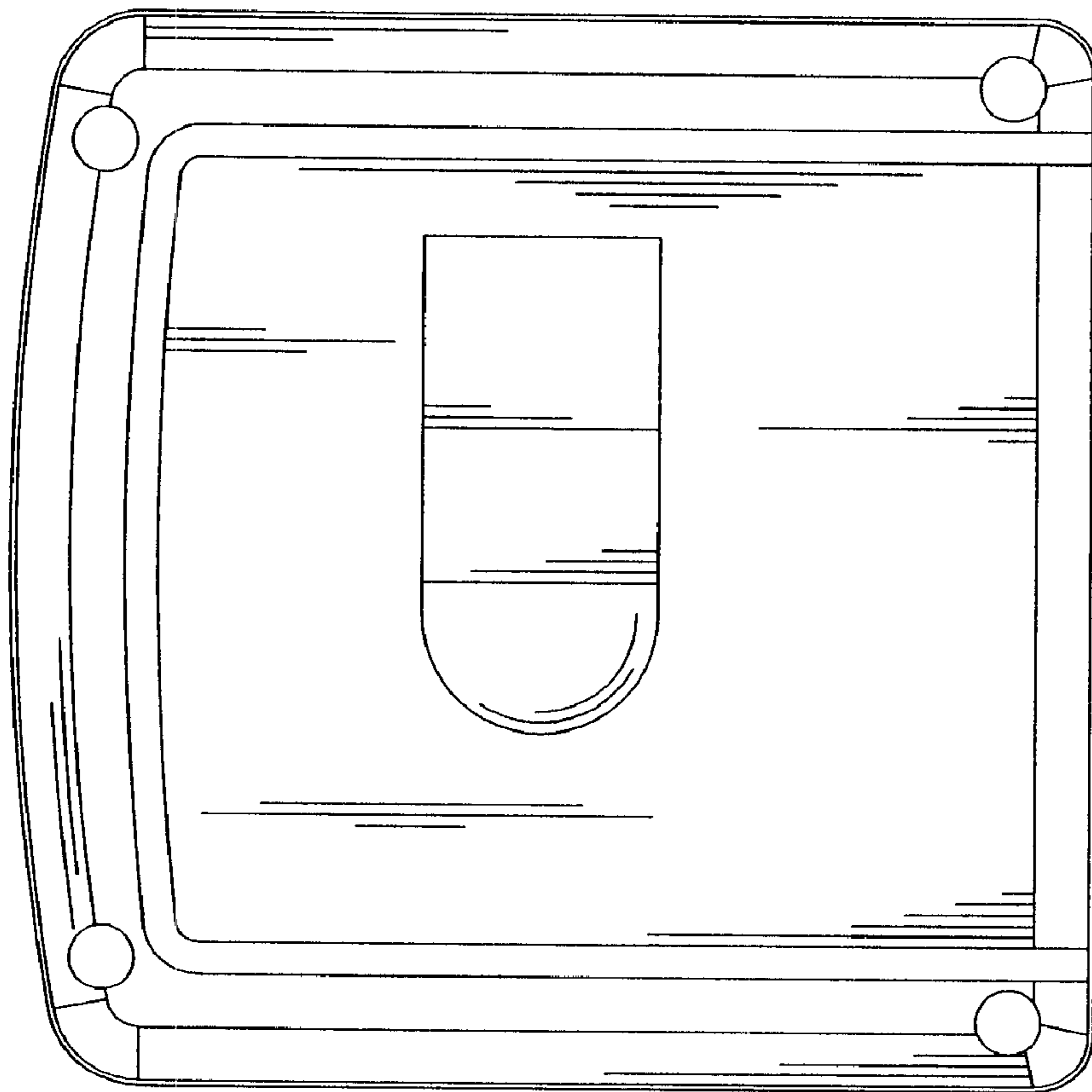


FIG. 7

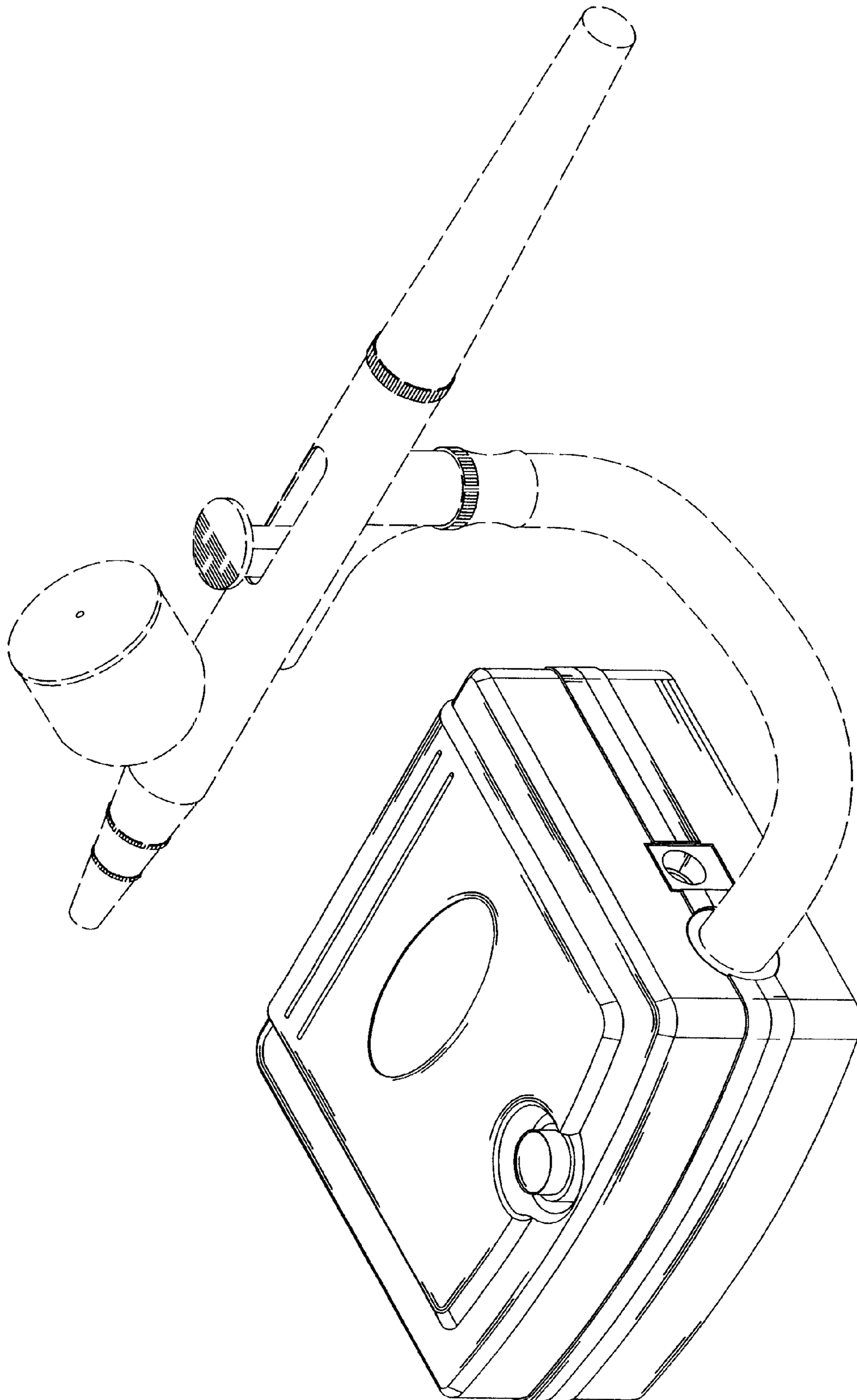


FIG. 8