



US00D533878S

(12) **United States Design Patent**
Bender

(10) **Patent No.:** **US D533,878 S**

(45) **Date of Patent:** **** Dec. 19, 2006**

(54) **AUTO INTAKE PLENUM**

D513,618 S * 1/2006 Bender D15/5
D514,591 S * 2/2006 Bender D15/5

(75) Inventor: **Lee F. Bender**, Huntsville, AL (US)

* cited by examiner

(73) Assignee: **C & L Performance, Inc.**, Huntsville, AL (US)

Primary Examiner—Ian Simmons
Assistant Examiner—Maurice Stevens

(**) Term: **14 Years**

(74) *Attorney, Agent, or Firm*—Lanier Ford Shaver & Payne PC; George P. Kohler

(21) Appl. No.: **29/237,502**

(57) **CLAIM**

(22) Filed: **Sep. 1, 2005**

The ornamental design for an auto intake plenum, as shown and described.

(51) **LOC (8) Cl.** **15-01**

(52) **U.S. Cl.** **D15/5**

(58) **Field of Classification Search** D15/1-5;
D12/194, 114; 123/198 E, 306, 308, 184.21,
123/184.34, 184.53, 184.56, 184.42, 184.57;
55/337, 385.3, 385.5, 498-502; 60/299, 302,
60/312; 181/227-228, 282

See application file for complete search history.

DESCRIPTION

FIG. 1 is a top plan view of an auto intake plenum;
FIG. 2 is a bottom plan view thereof;
FIG. 3 is a left side elevational view thereof;
FIG. 4 is a right side elevational view thereof;
FIG. 5 is a front left perspective view thereof;
FIG. 6 is a rear left perspective view thereof;
FIG. 7 is a right rear perspective view thereof;
FIG. 8 is a left front perspective view thereof;
FIG. 9 is a rear elevational view thereof; and,
FIG. 10 is a front elevational view thereof.

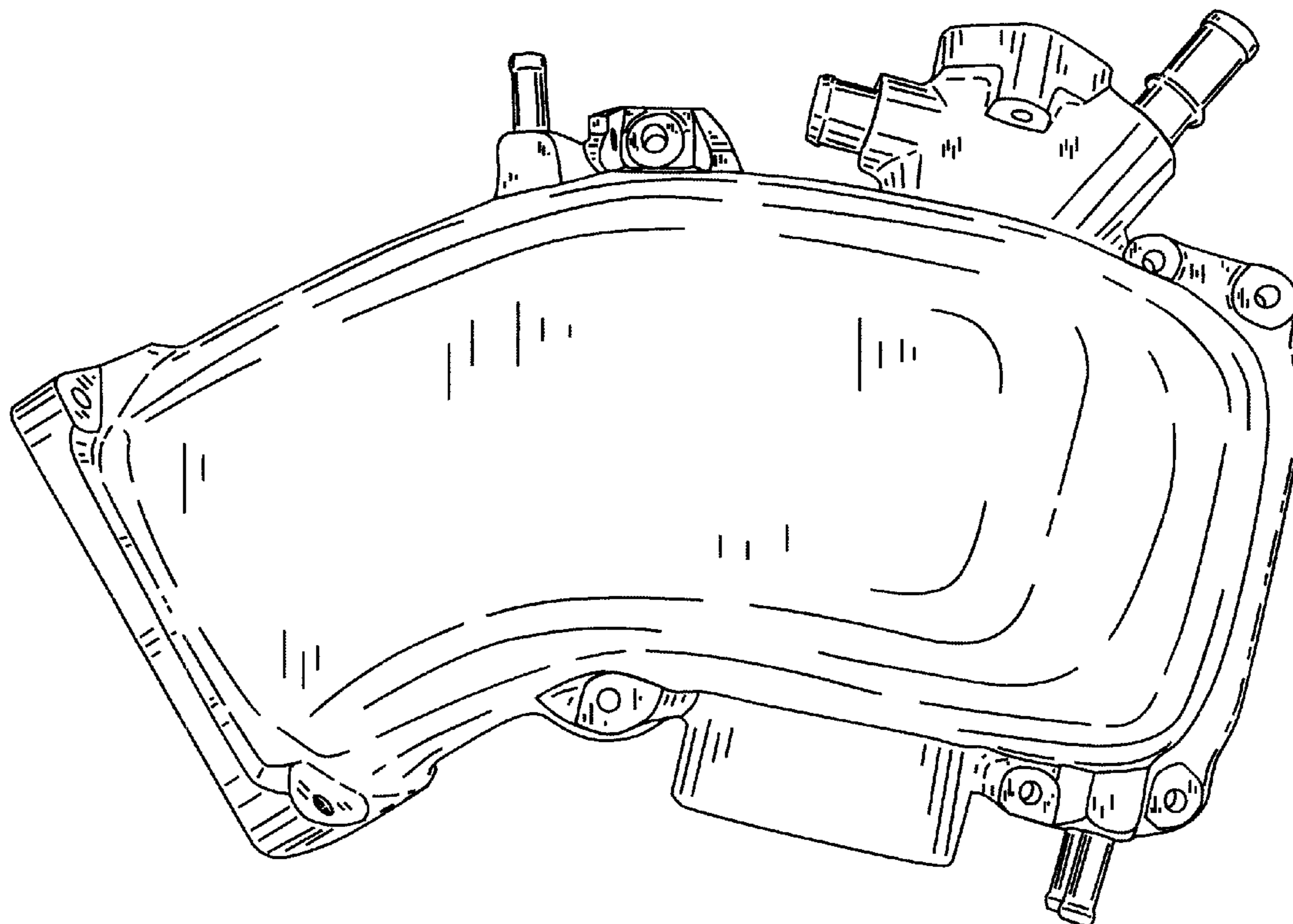
A characteristic feature of the design resides in curved roof portion and contoured interior.

(56) **References Cited**

U.S. PATENT DOCUMENTS

D453,774 S * 2/2002 Garcia D15/5
D455,438 S * 4/2002 Hall D15/5
6,453,866 B1 * 9/2002 Altmann et al. 123/184.21
6,564,768 B1 * 5/2003 Bauer et al. 123/198 E
6,595,318 B1 * 7/2003 Ebinger et al. 181/227
6,598,581 B1 * 7/2003 Kempf 123/198 E

1 Claim, 5 Drawing Sheets



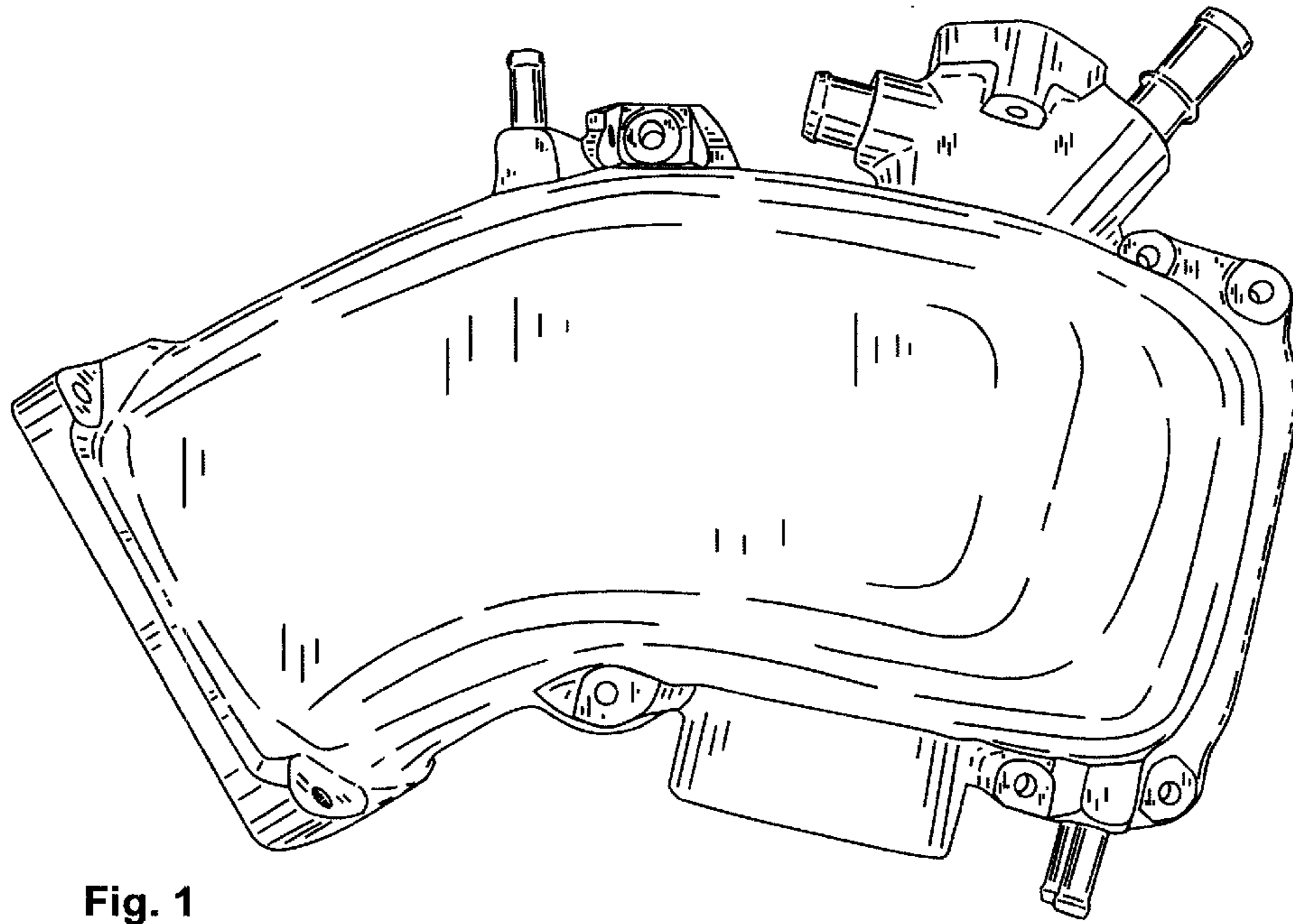


Fig. 1

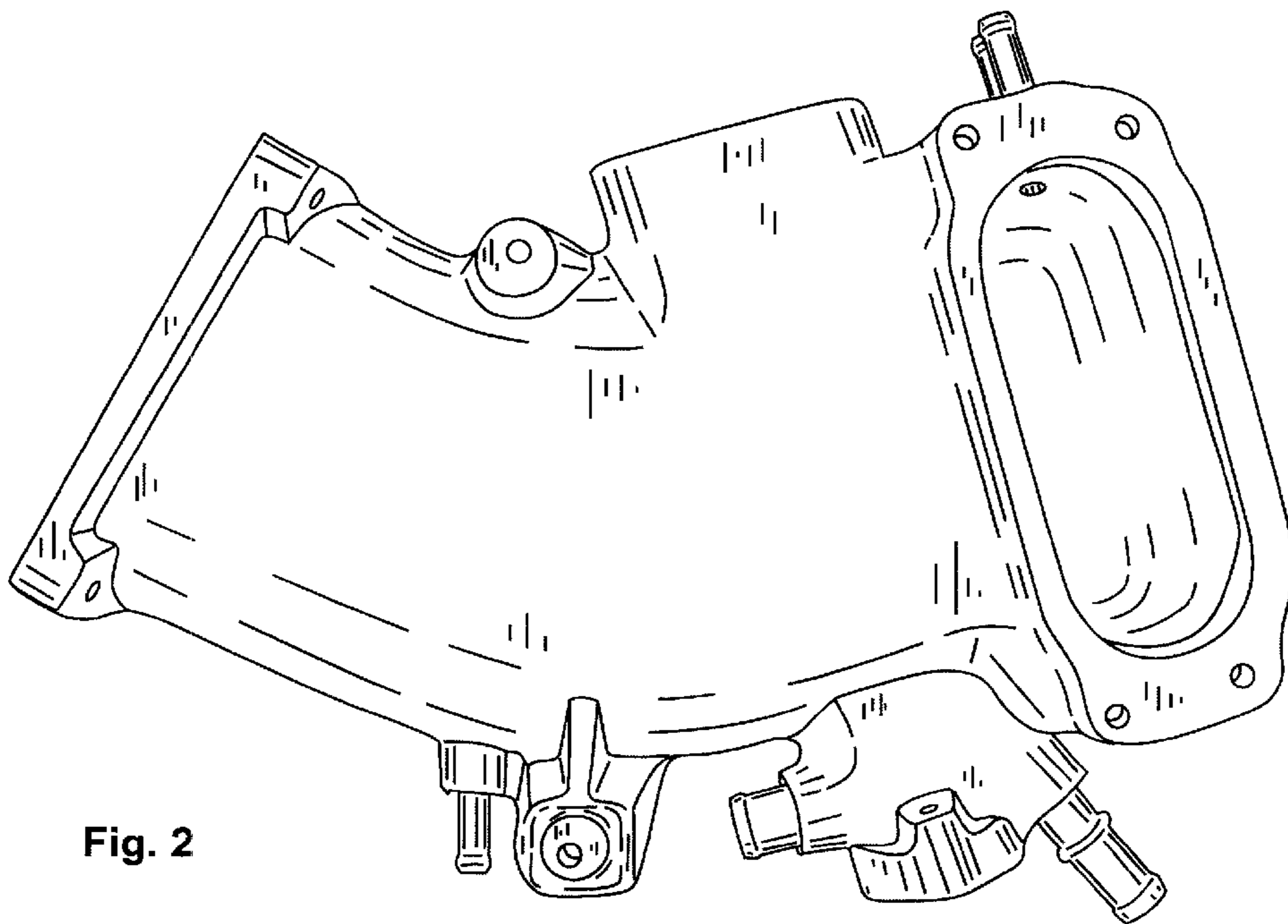


Fig. 2

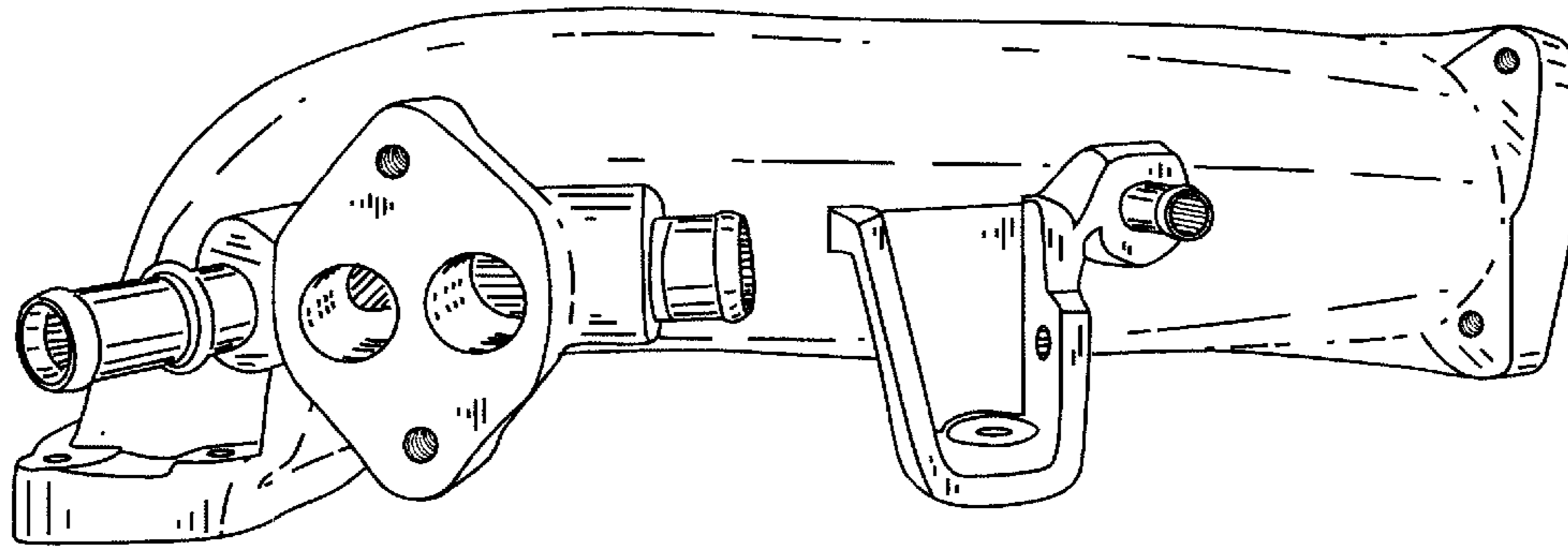


Fig. 3

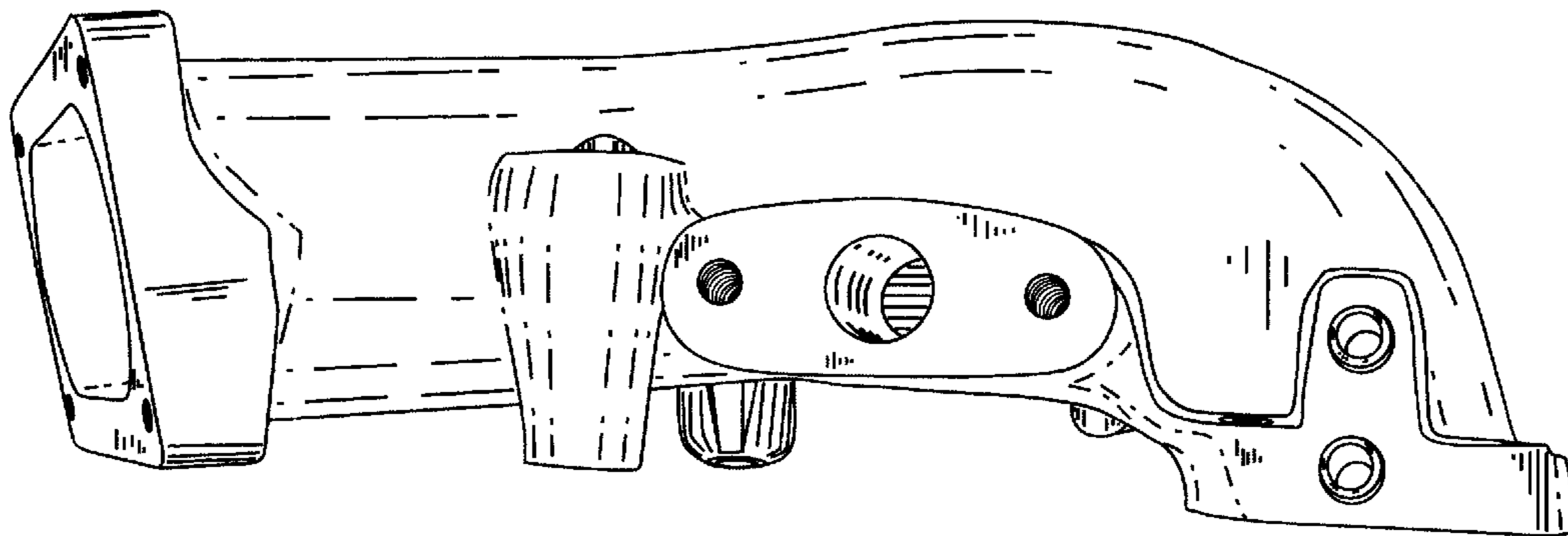


Fig. 4

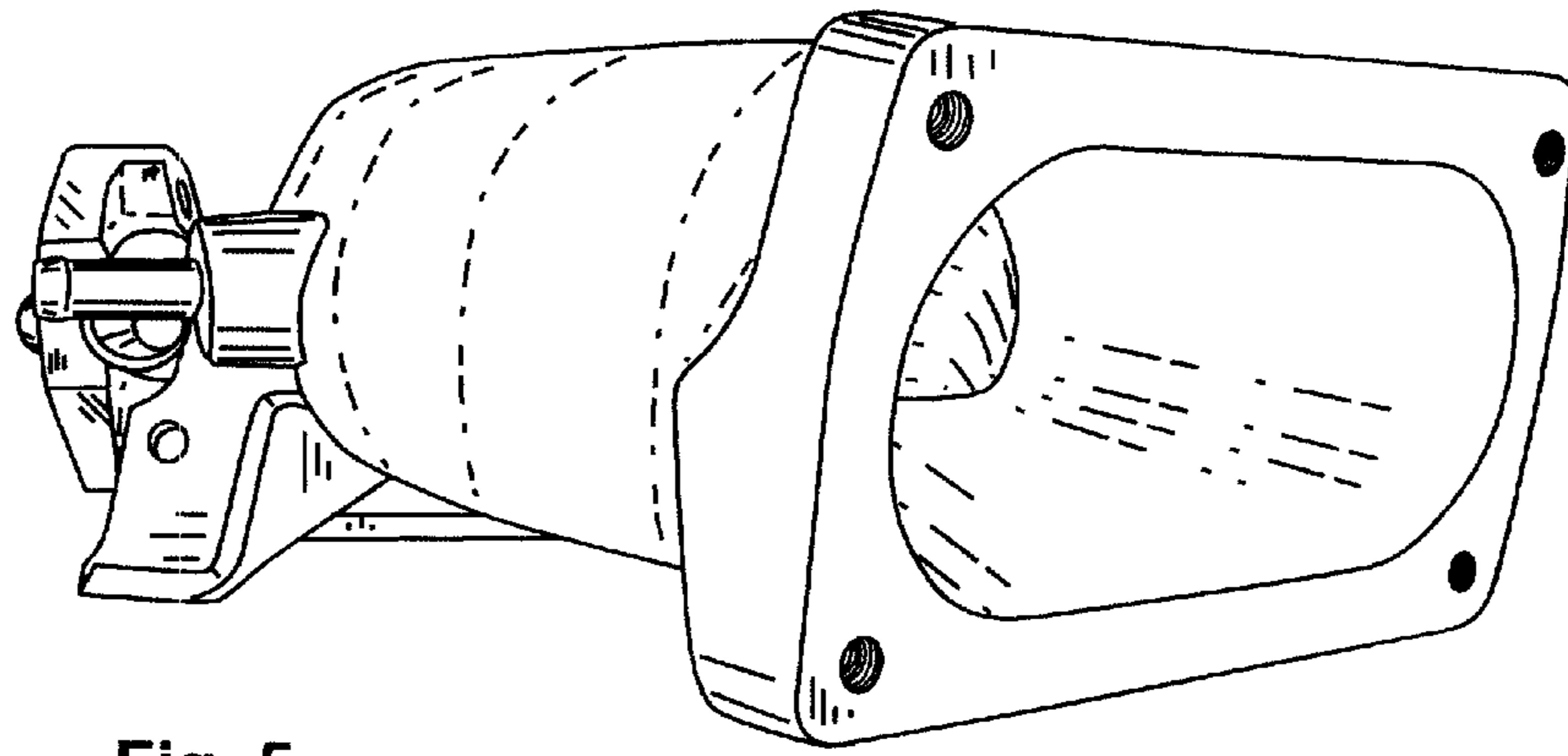


Fig. 5

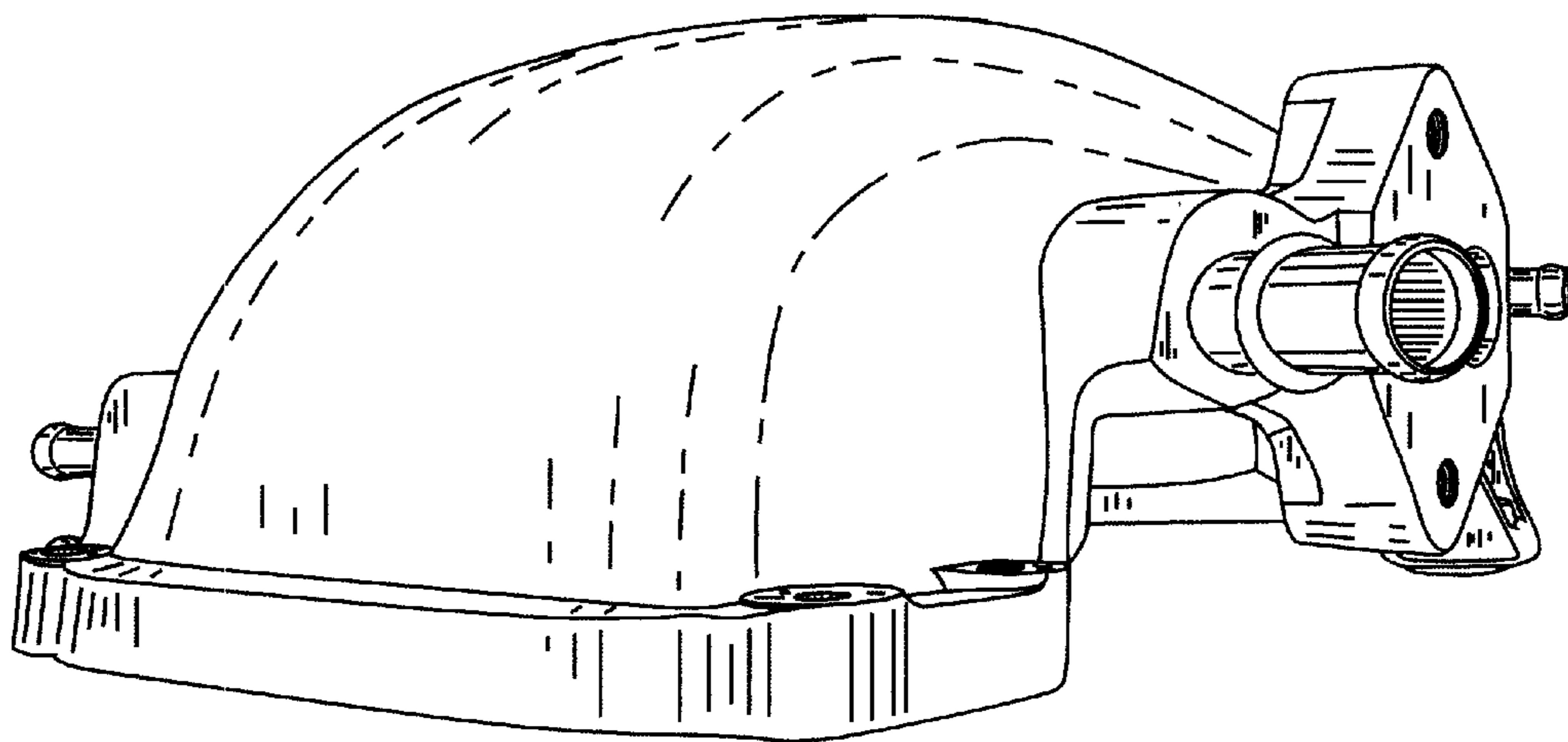


Fig. 6

Fig. 7

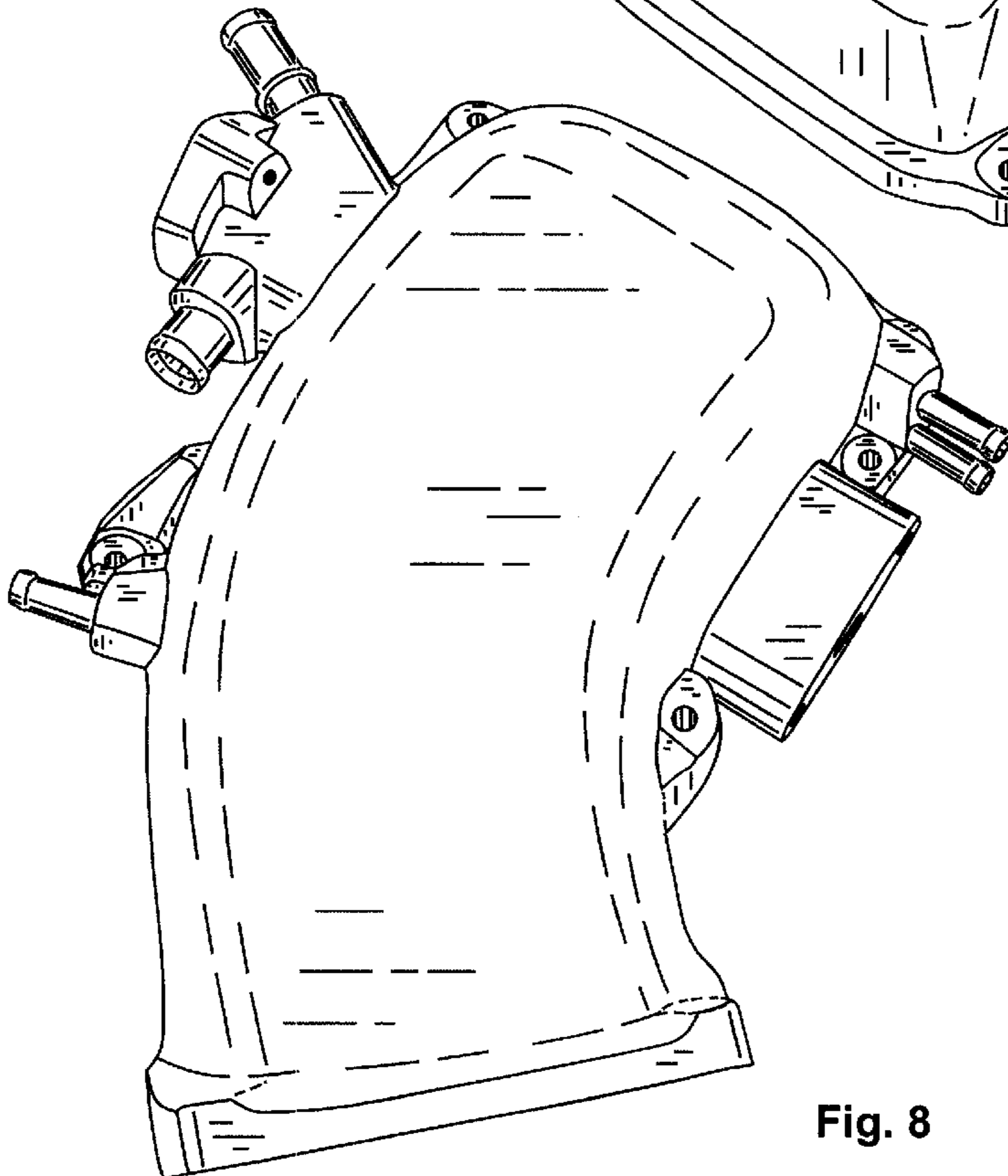
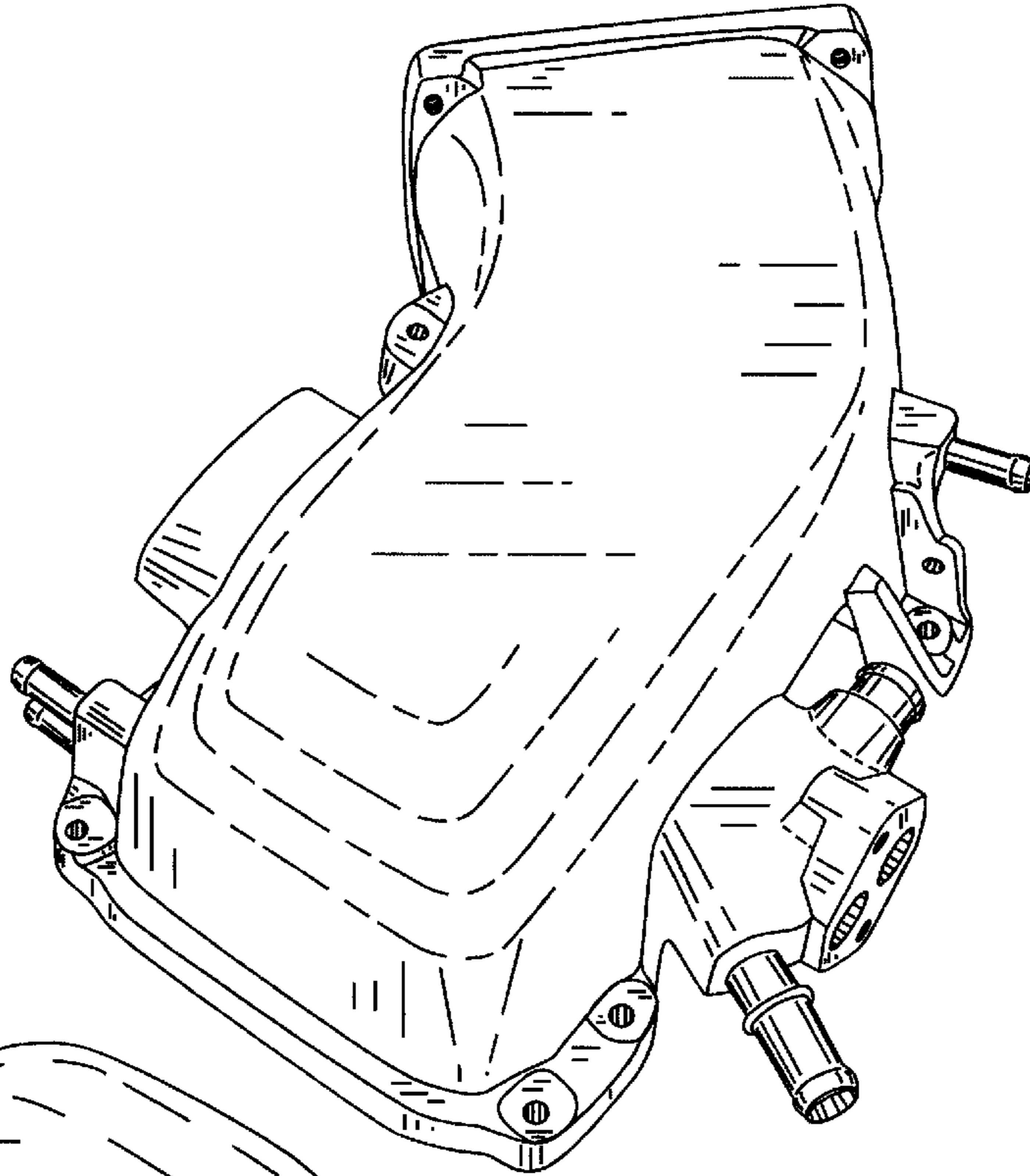


Fig. 8

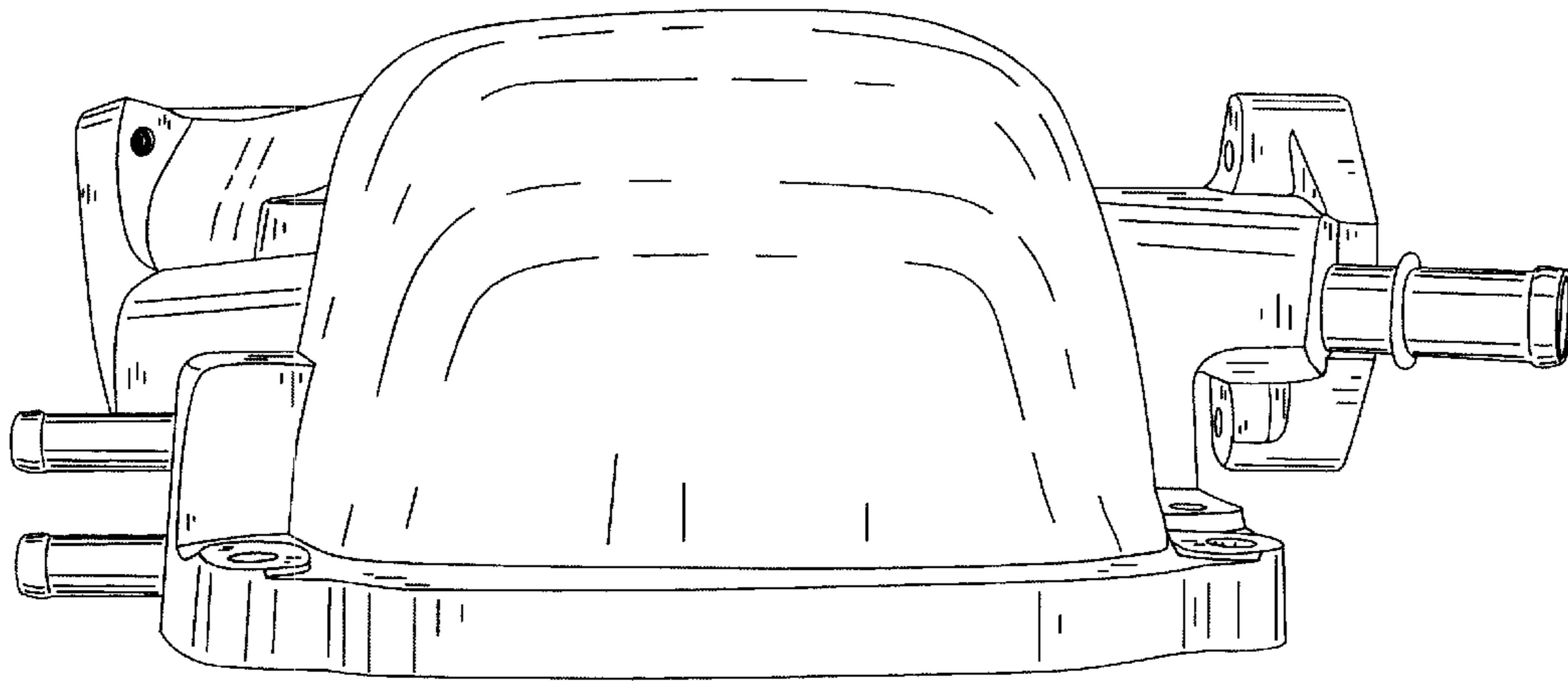


Fig. 9

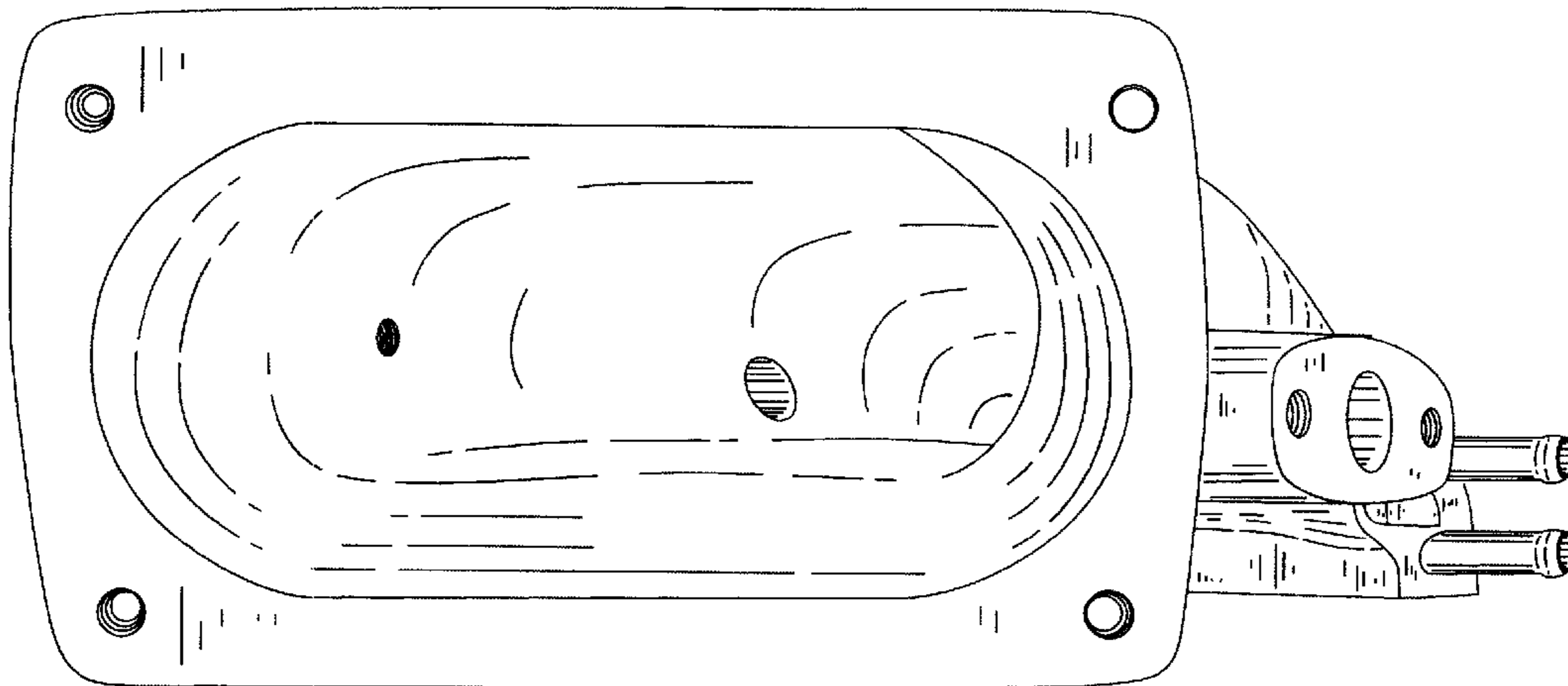


Fig. 10