



US00D533871S

(12) **United States Design Patent** (10) **Patent No.:** **US D533,871 S**  
**Stabb et al.** (45) **Date of Patent:** **\*\* Dec. 19, 2006**

(54) **TRANSITIONAL IMAGE FOR A PORTION OF A DISPLAY SCREEN**  
(75) Inventors: **Charles W. Stabb**, Seattle, WA (US);  
**Robert Stein**, Redmond, WA (US)  
(73) Assignee: **Microsoft Corporation**, Redmond, WA (US)  
(\*\*) Term: **14 Years**

(21) Appl. No.: **29/228,356**  
(22) Filed: **Apr. 22, 2005**  
(51) **LOC (8) Cl.** ..... **14-04**  
(52) **U.S. Cl.** ..... **D14/485**  
(58) **Field of Classification Search** ..... 715/500.1,  
715/501.1, 526, 530-531, 539, 708, 711,  
715/717, 723, 726, 733, 738, 753, 762, 763-4,  
715/767-69, 778-82, 788, 790, 793-94,  
715/797-8, 802-10, 835-40, 848-856, 862-63,  
715/976, 978; D14/485-94; D18/24-33;  
D20/40, 11; D19/6; D21/324-33; 434/43,  
434/38; 382/305; 400/76; 710/5, 73; 707/102,  
707/2; 463/32, 16; 717/170; 705/26, 27; 345/757,  
345/782, 848, 852, 850, 809, 837, 798, 752,  
345/163, 156, 537, 474, 836, 419, 649, 656,  
345/659, 426, 427, 582, 428, 440, 660, 634,  
345/902, 418, 629

See application file for complete search history.

(56) **References Cited**  
U.S. PATENT DOCUMENTS

D57,536 S \* 4/1921 Mannes ..... D18/32

5,724,492 A \* 3/1998 Matthews et al. .... 345/419

\* cited by examiner

*Primary Examiner*—M. H. Tung  
*Assistant Examiner*—Susan Moon Lee  
(74) *Attorney, Agent, or Firm*—Banner & Witcoff, Ltd.

(57) **CLAIM**

The ornamental design for a transitional image for a portion of a display screen, as shown and described.

**DESCRIPTION**

FIG. 1 is a front view of the first image in the sequence for a transitional image for a portion of a display screen showing our new design;

FIG. 2 is a front view of the second image thereof;

FIG. 3 is a front view of the third image thereof;

FIG. 4 is a front view of the fourth image thereof;

FIG. 5 is a front view of the fifth image thereof;

FIG. 6 is a front view of the sixth image thereof;

FIG. 7 is a front view of the seventh image thereof;

FIG. 8 is a front view of the eighth image thereof;

FIG. 9 is a front view of the ninth image thereof;

FIG. 10 is a front view of the tenth image thereof;

FIG. 11 is a front view of the eleventh image thereof;

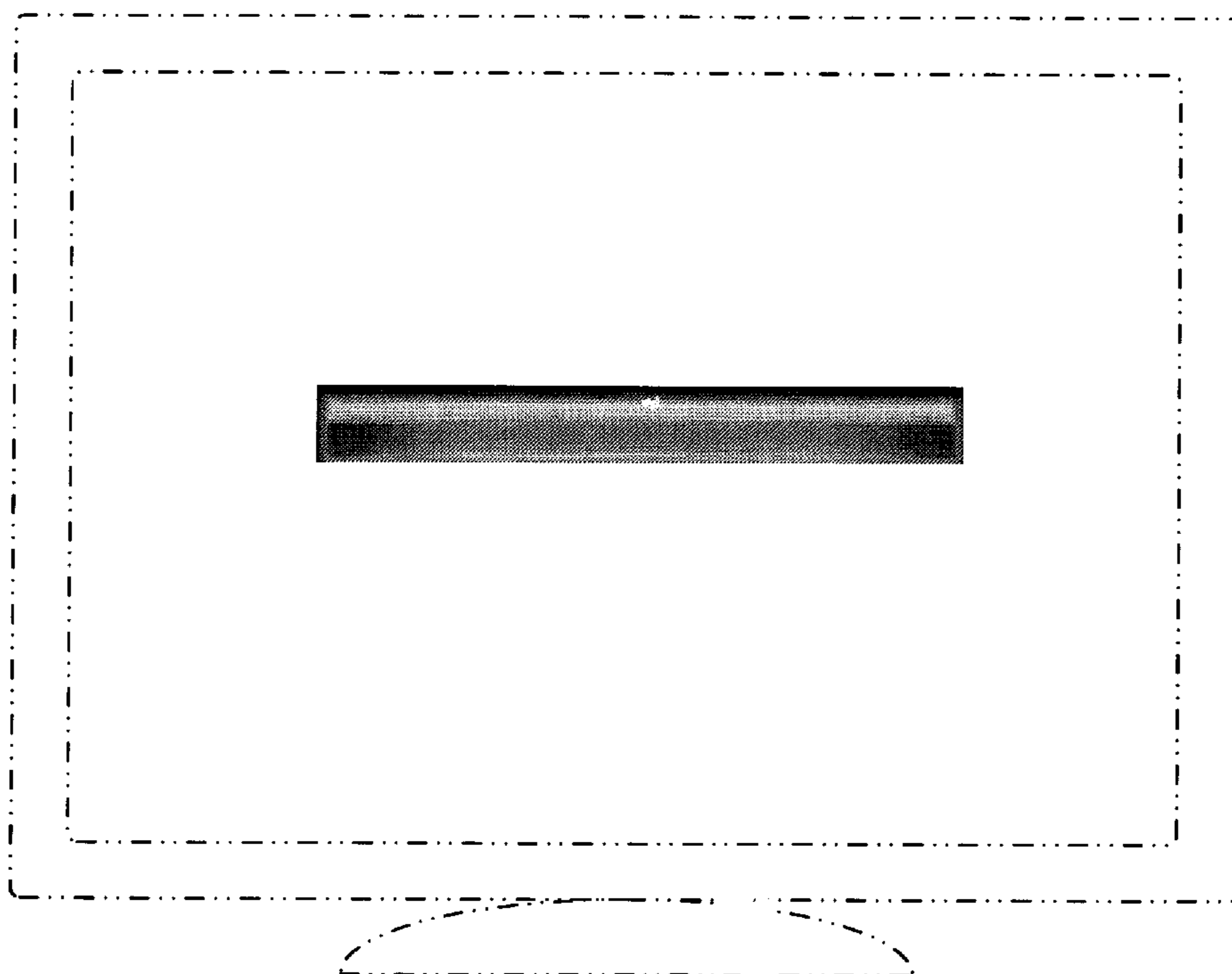
FIG. 12 is a front view of the twelfth image thereof; and,

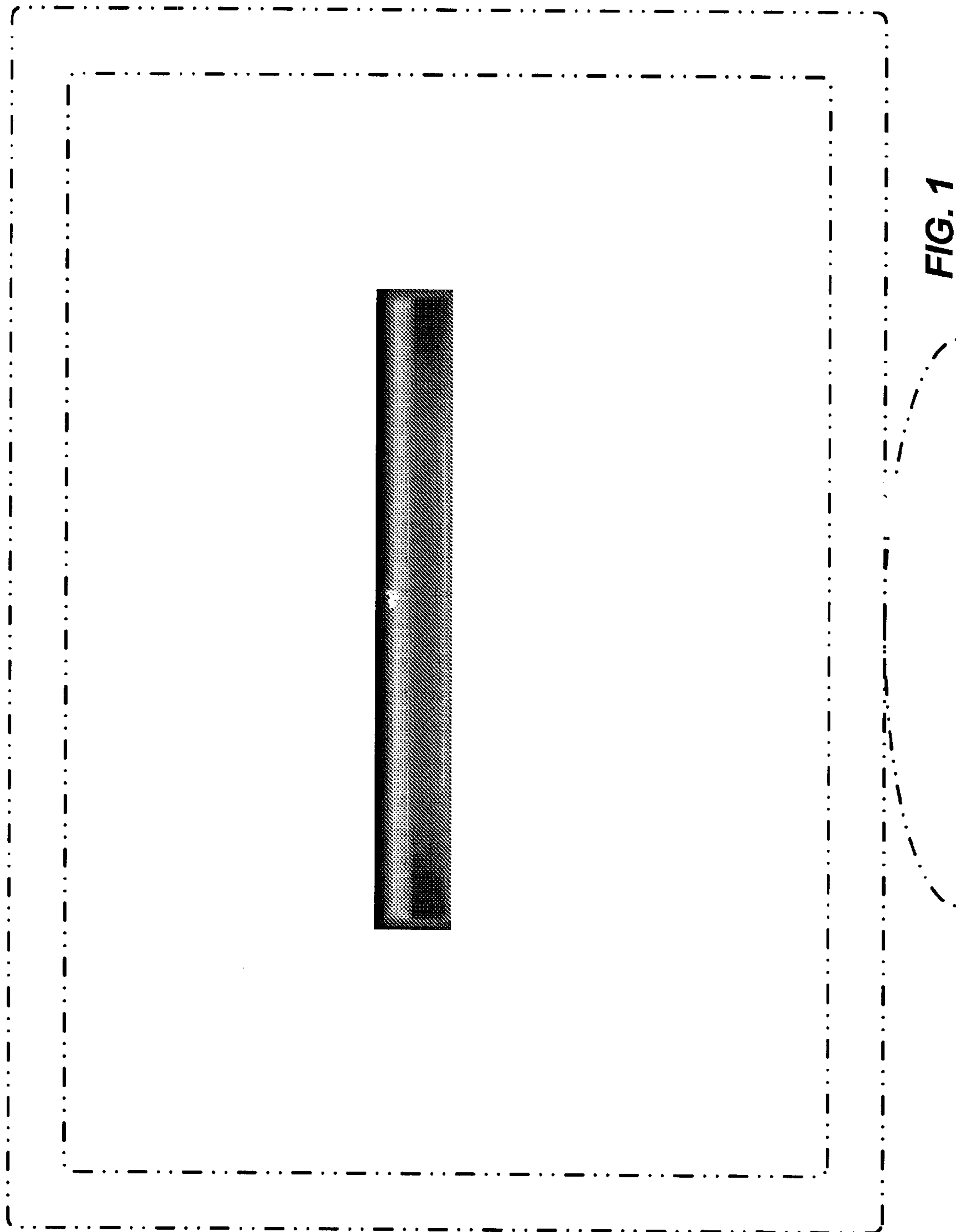
FIG. 13 is a front view of the thirteenth image thereof.

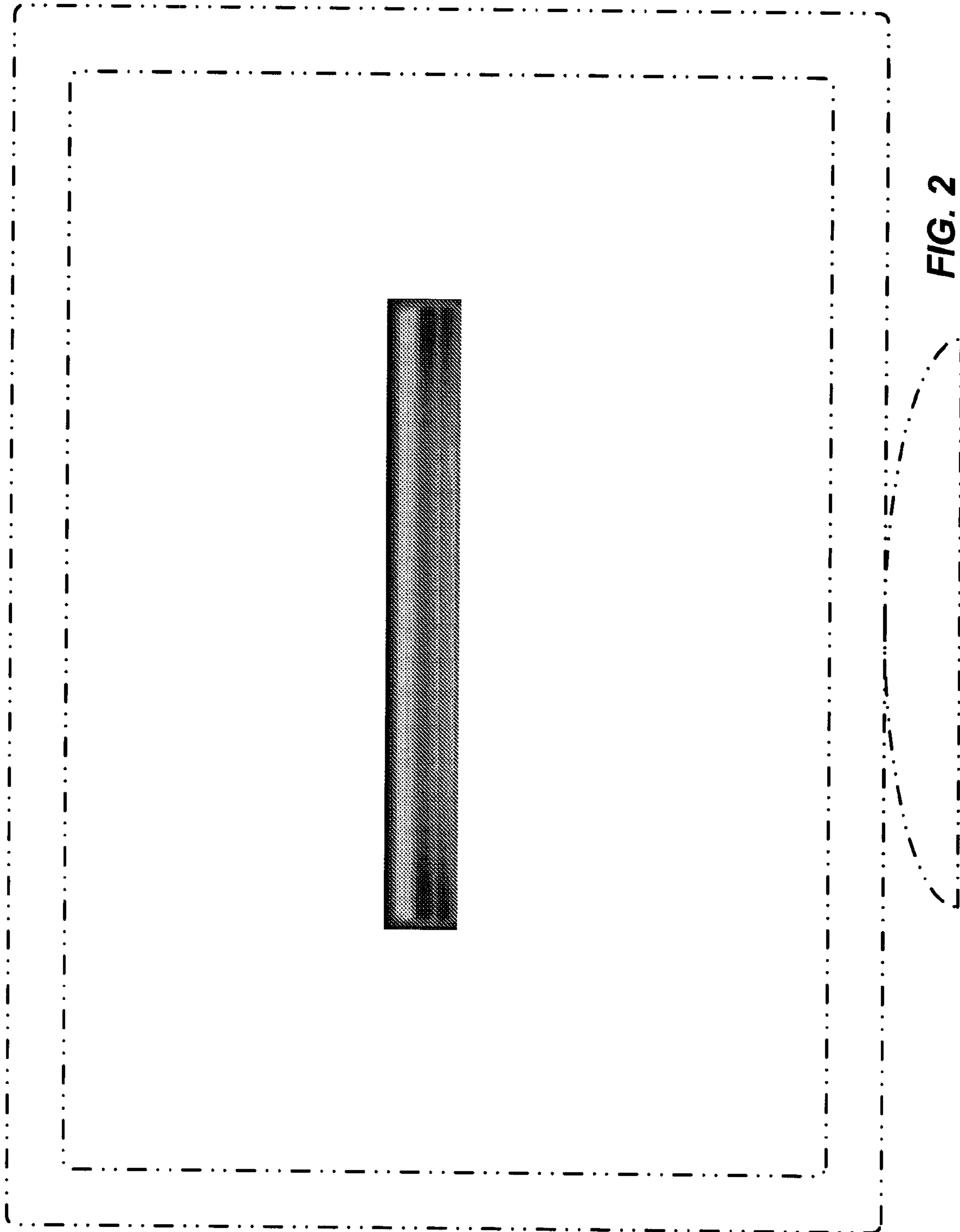
The appearance of the transitional image sequentially transitions between the images shown in FIGS. 1-13.

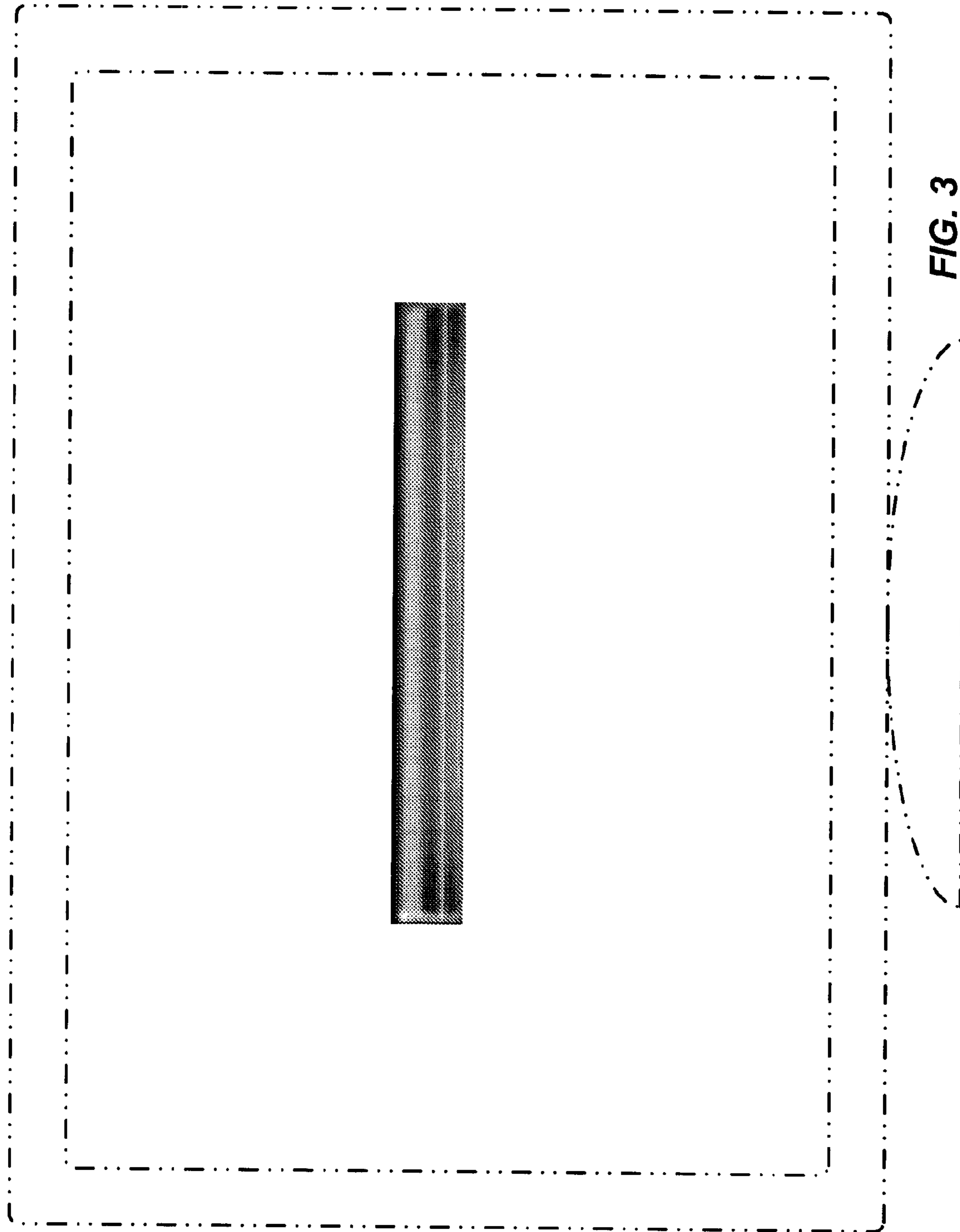
The broken line showing of a portion of a display screen in FIGS. 1-13 is for illustrative purposes only and forms no part of the claimed design.

**1 Claim, 13 Drawing Sheets**









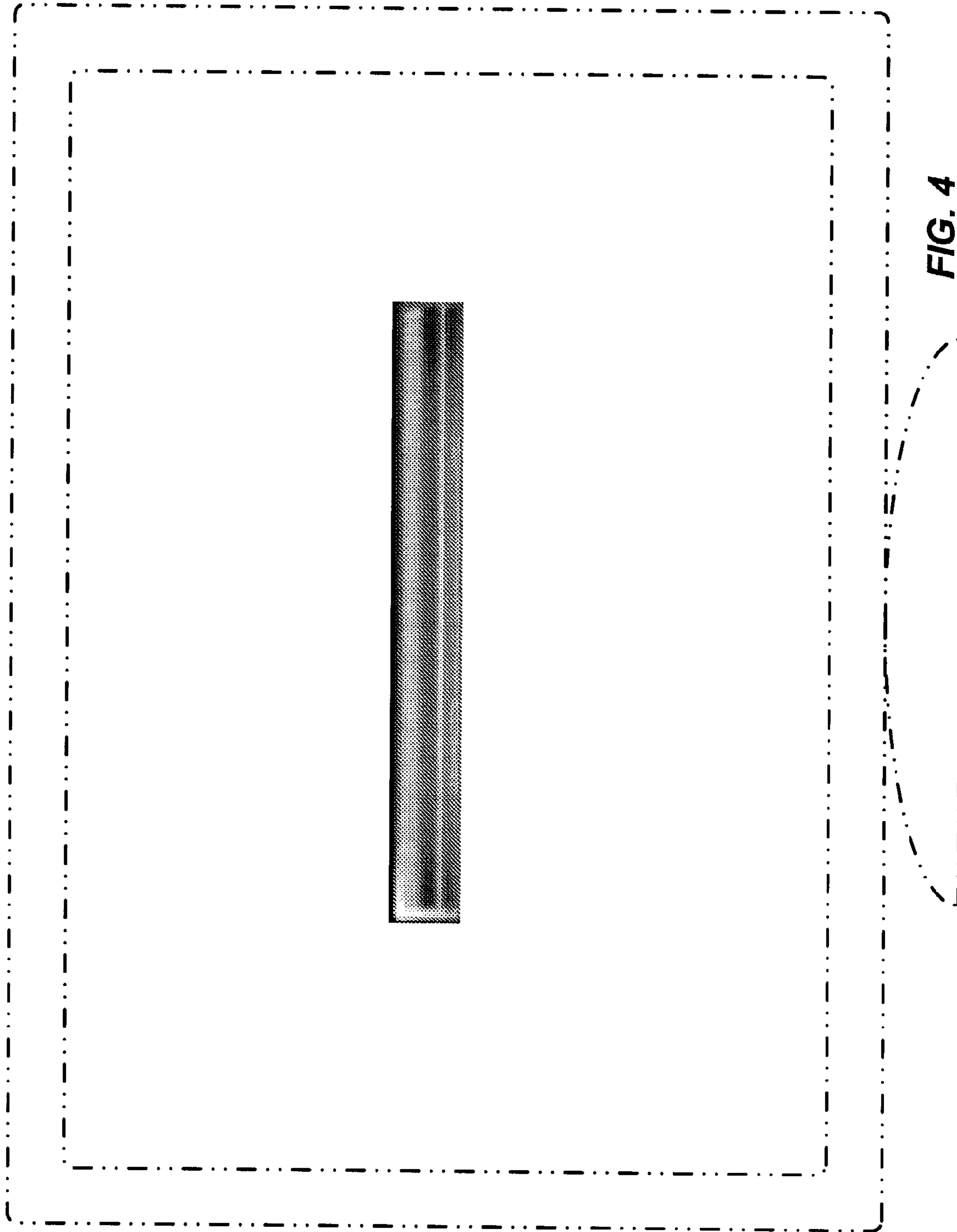
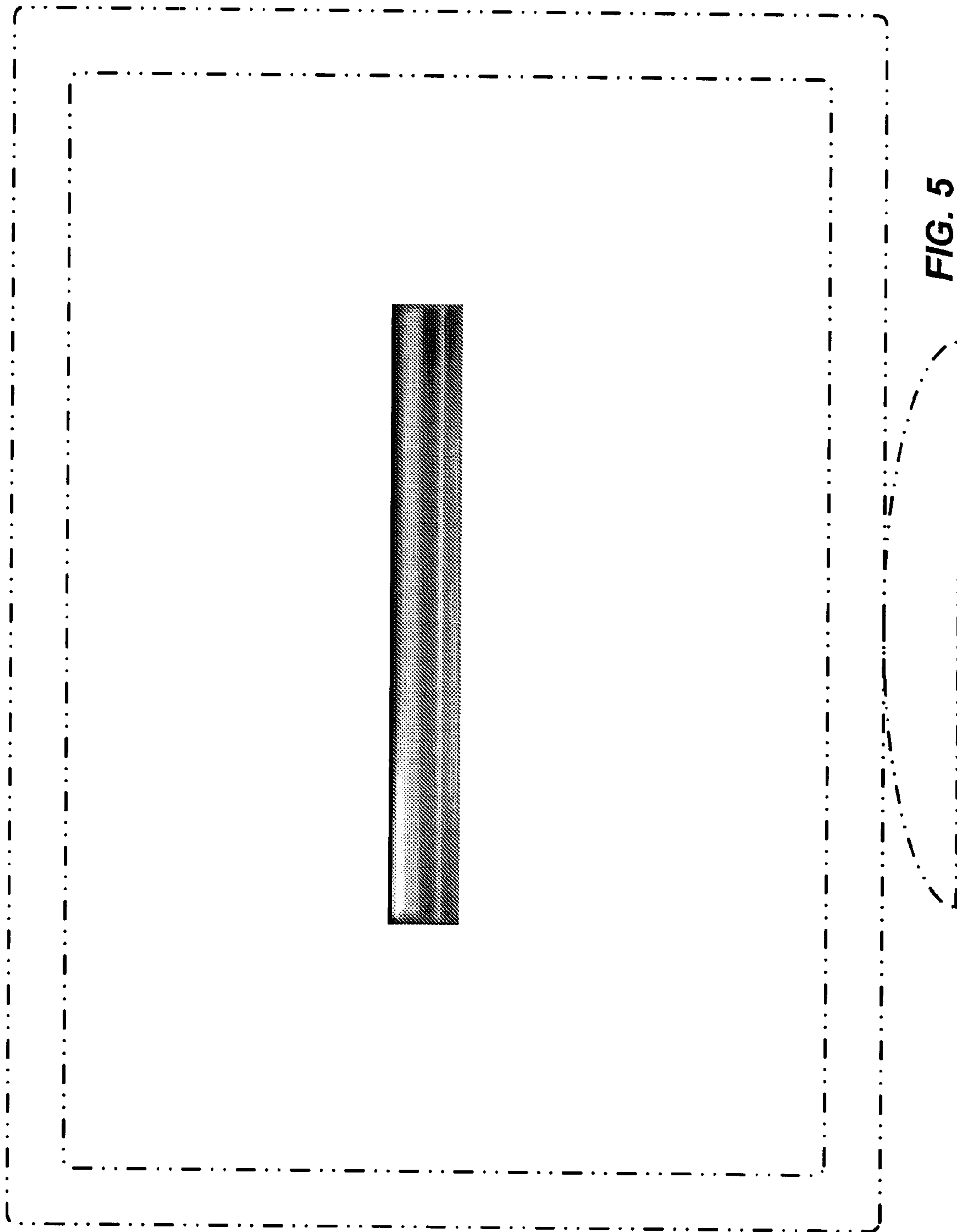


FIG. 4



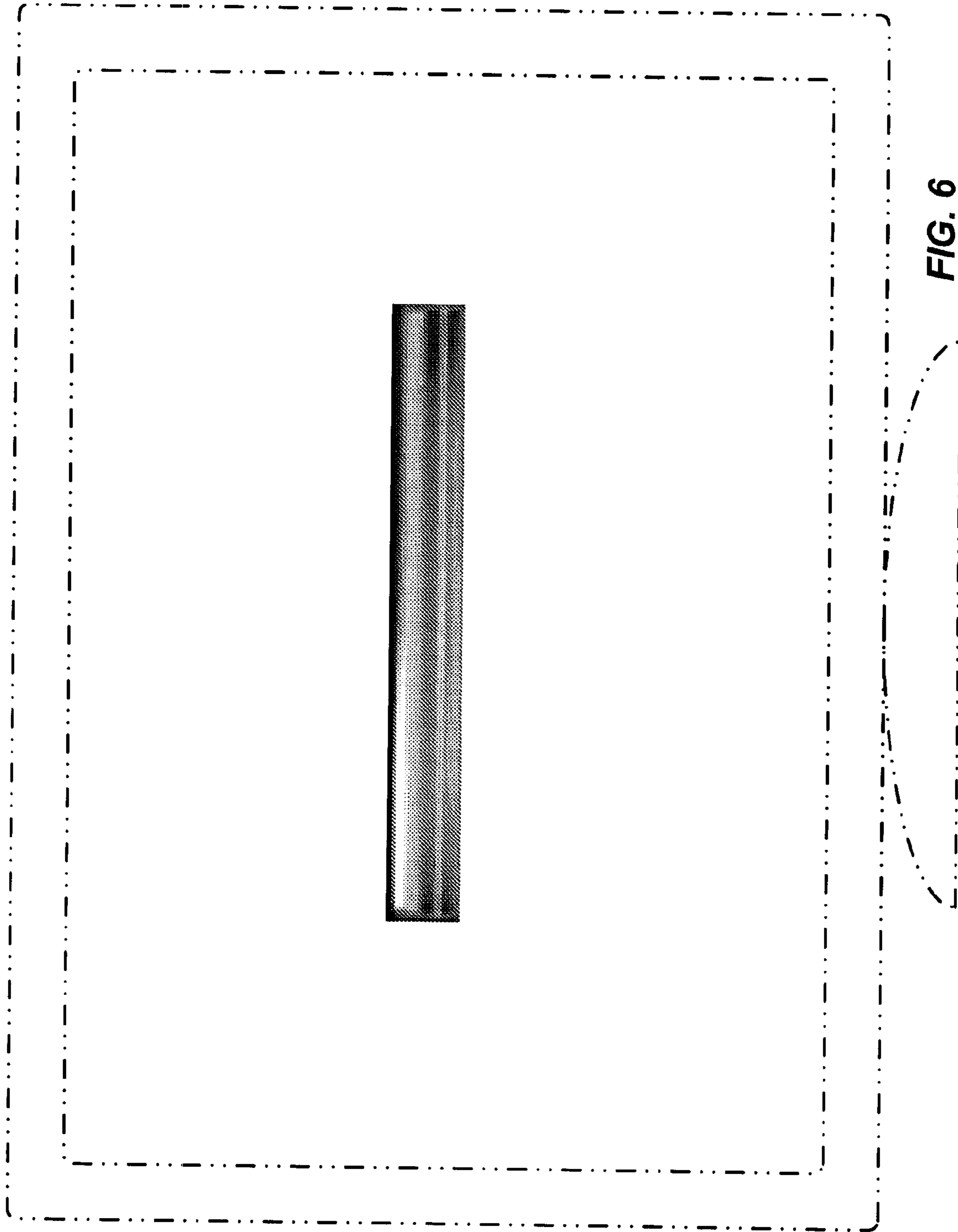
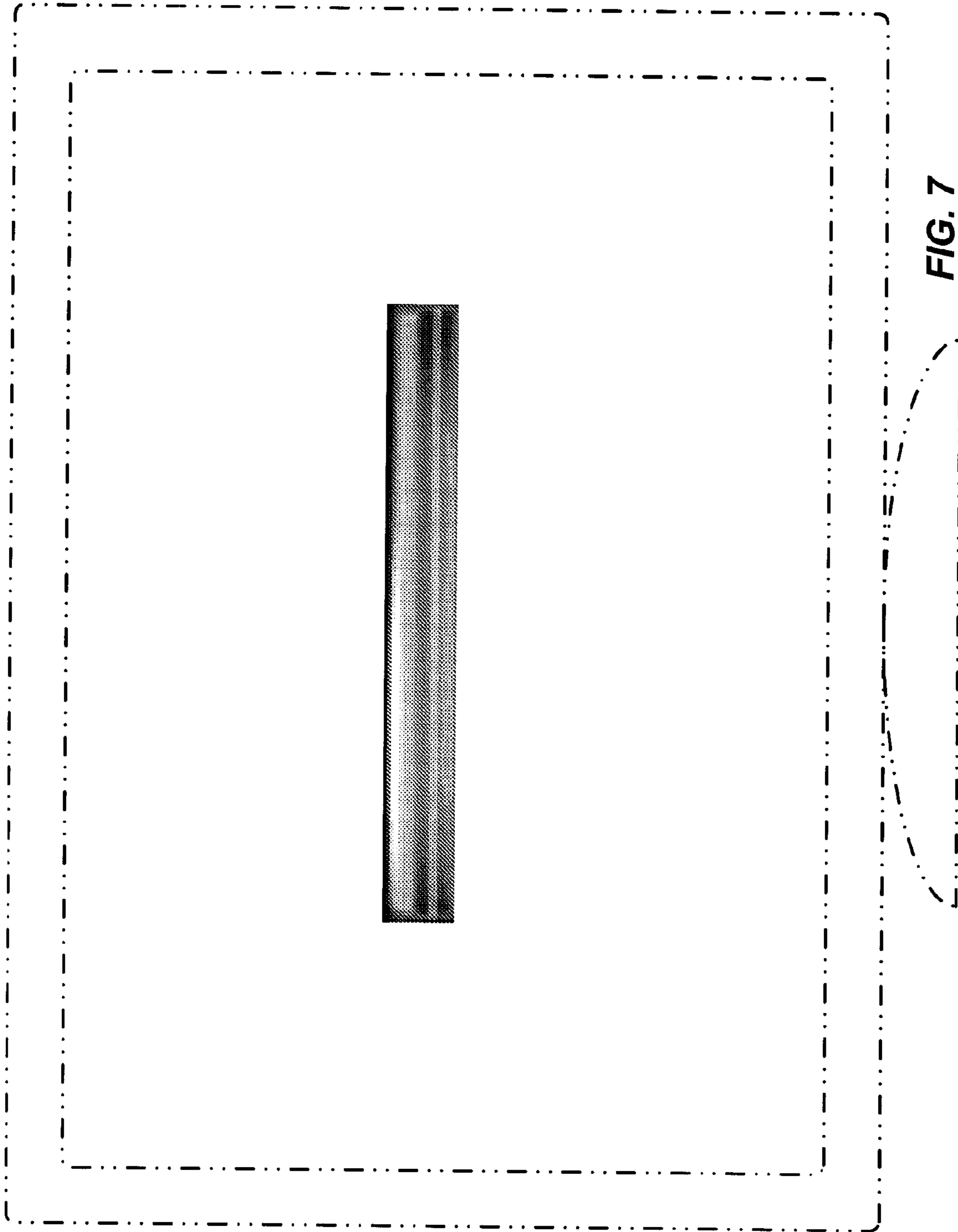
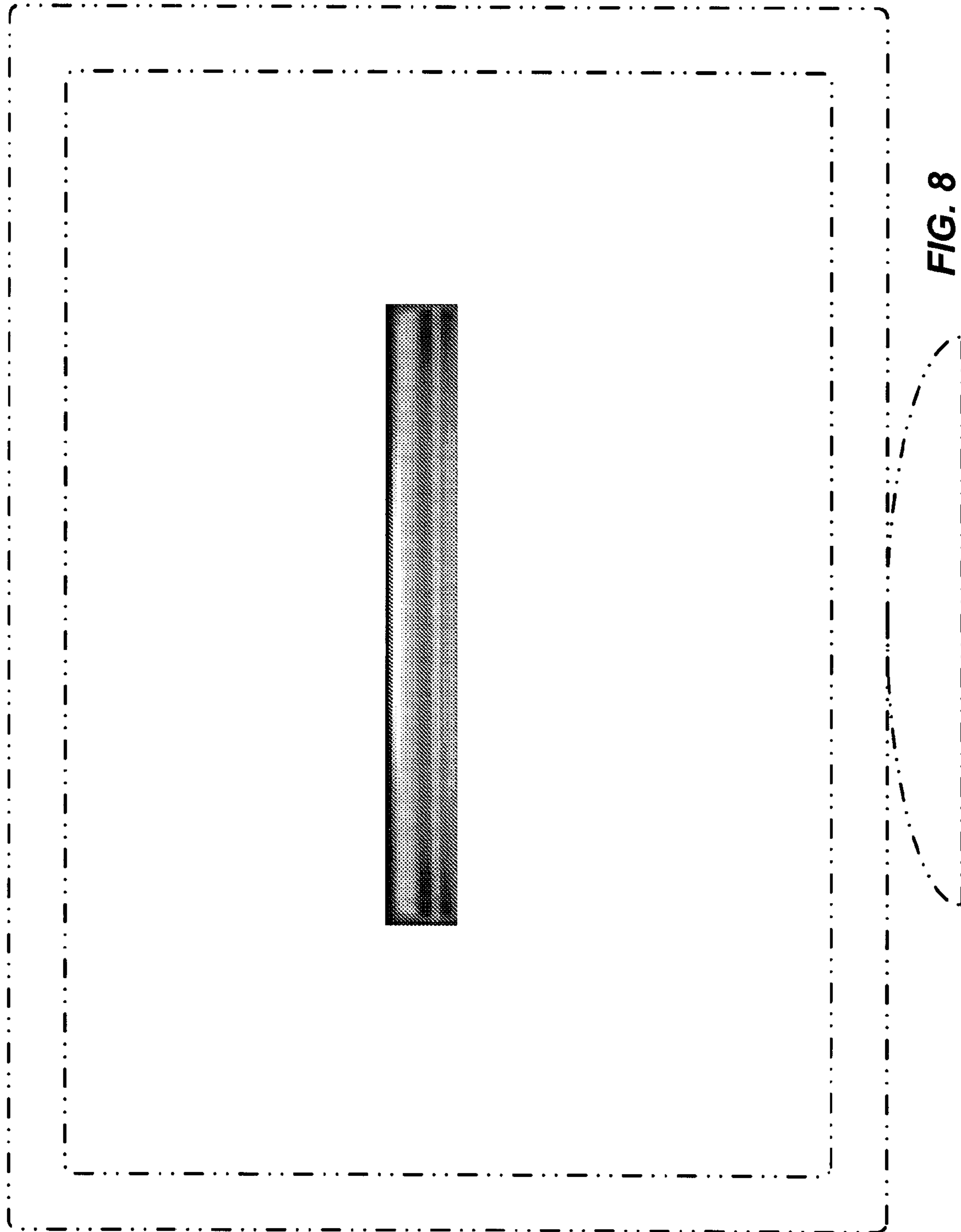


FIG. 6







**FIG. 8**

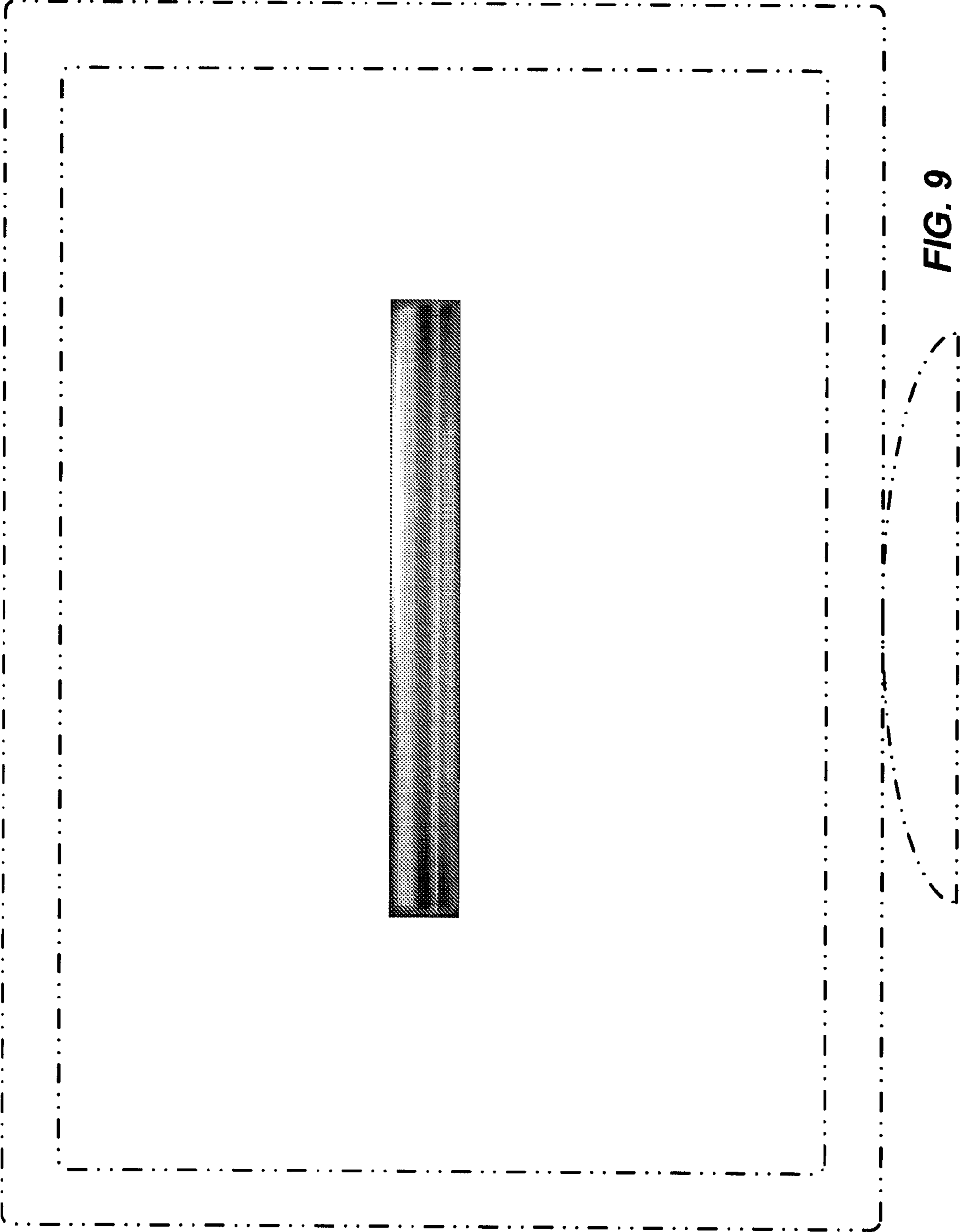
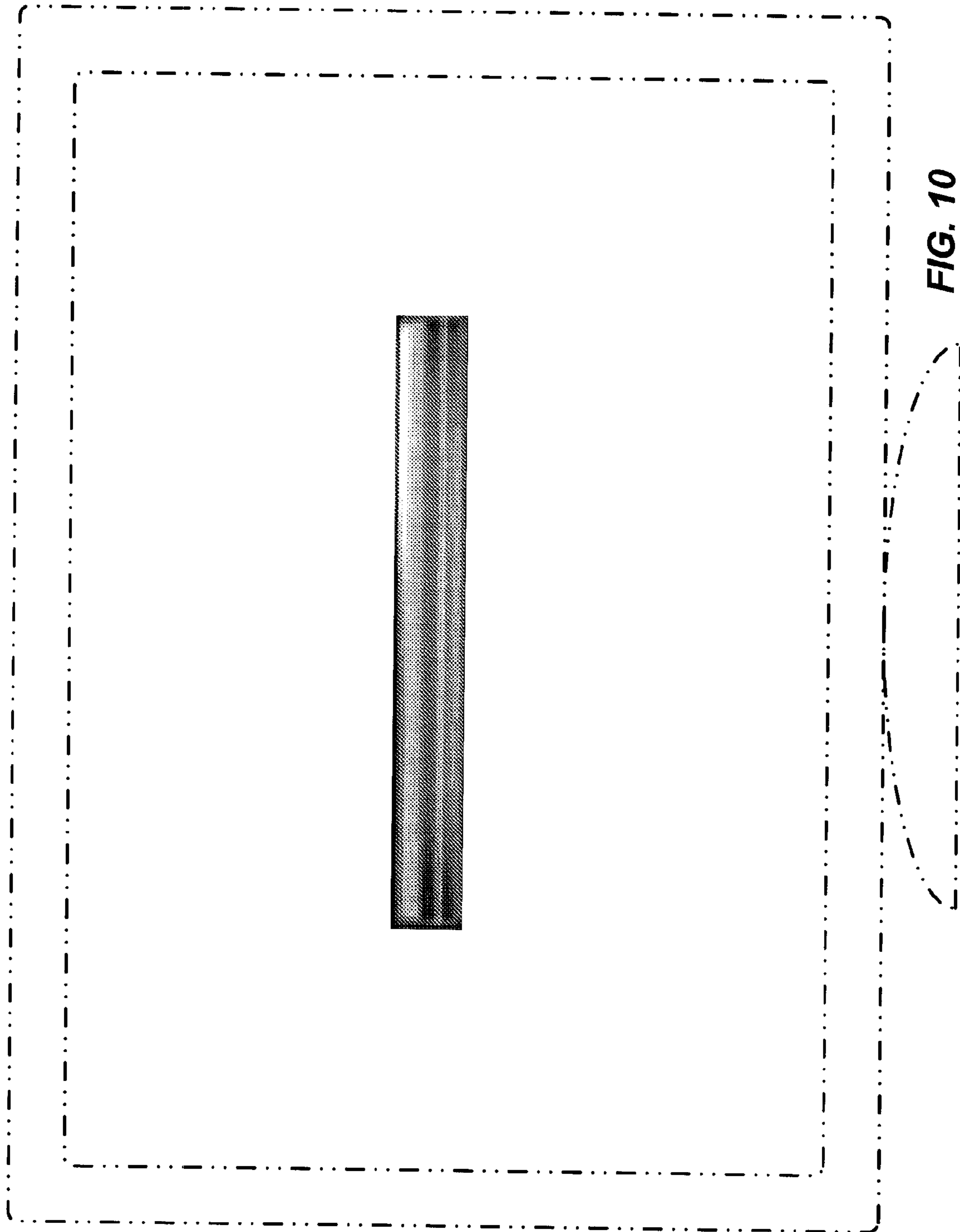
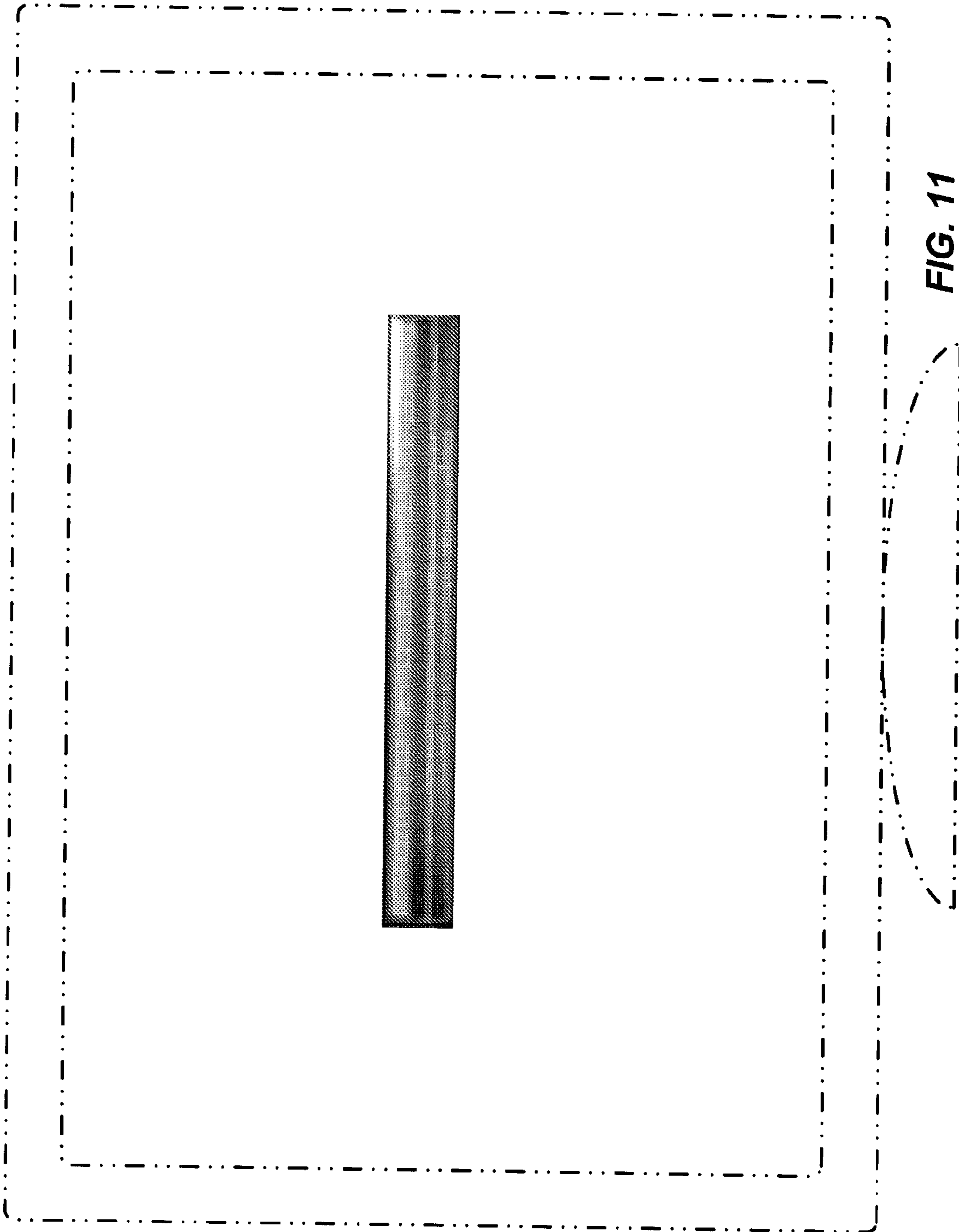


FIG. 9





**FIG. 11**

