



US00D533870S

(12) **United States Design Patent**
Kumano

(10) **Patent No.:** **US D533,870 S**
(45) **Date of Patent:** **** Dec. 19, 2006**

(54) **COMPUTER**

D510,350 S 10/2005 Kumano

(75) Inventor: **Daigaku Kumano**, Tokyo (JP)

(73) Assignee: **Sony Corporation**, Tokyo (JP)

(**) Term: **14 Years**

(21) Appl. No.: **29/241,984**

(22) Filed: **Nov. 4, 2005**

(30) **Foreign Application Priority Data**

Aug. 18, 2005 (JP) D2005-023906

(51) **LOC (8) Cl.** **14-02**

(52) **U.S. Cl.** **D14/349**

(58) **Field of Classification Search** D14/300-302,
D14/349-356, 434; D13/162, 184, 199; 312/223.1-223.3,
312/194; 360/99.01-99.12; 361/680-686,
361/690-696; 369/34.01, 36.01
See application file for complete search history.

(56) **References Cited**

U.S. PATENT DOCUMENTS

5,248,193	A	*	9/1993	Schlemmer	312/223.2
D379,623	S	*	6/1997	Wu	D14/352
D380,743	S	*	7/1997	Avalos et al.	D14/350
D393,836	S	*	4/1998	Hisatsune et al.	D14/356
D420,652	S	*	2/2000	Izaki	D14/434
D487,265	S	*	3/2004	Kumano et al.	D14/349
D508,694	S		8/2005	Kumano		
D510,349	S		10/2005	Kumano		

OTHER PUBLICATIONS

Web page "VGC-RA-73P" <http://www.vaio.sony.co.jp/Products/VGC-RA73P/feast1.html>, 1 sheet, Sony (Aug. 2005).

Web page "Dimension 9100" http://www1.us.dell.com/content/products/productdetails.asp?dimen_9100?c=us&cs=19&l=..., 2 sheets, Dell Inc. (Aug. 2005).

Web page "Demension 5100 C" http://www1.us.dell.com/content/products/productdetails.aspx/demen_5100c?c=is&cs=19&l=..., 2 sheets, Dell Inc. (Aug. 2005).

* cited by examiner

Primary Examiner—Freda S. Nunn

(74) *Attorney, Agent, or Firm*—Rader, Fishman & Grauer, PLLC

(57) **CLAIM**

The ornamental design for a computer, as shown.

DESCRIPTION

FIG. 1 is a perspective view of a computer showing my new design;

FIG. 2 is a front elevational view thereof;

FIG. 3 is a rear elevational view thereof;

FIG. 4 is a left side elevational view thereof;

FIG. 5 is a right side elevational view thereof;

FIG. 6 is a top plan view thereof; and,

FIG. 7 is a bottom plan view thereof.

1 Claim, 7 Drawing Sheets

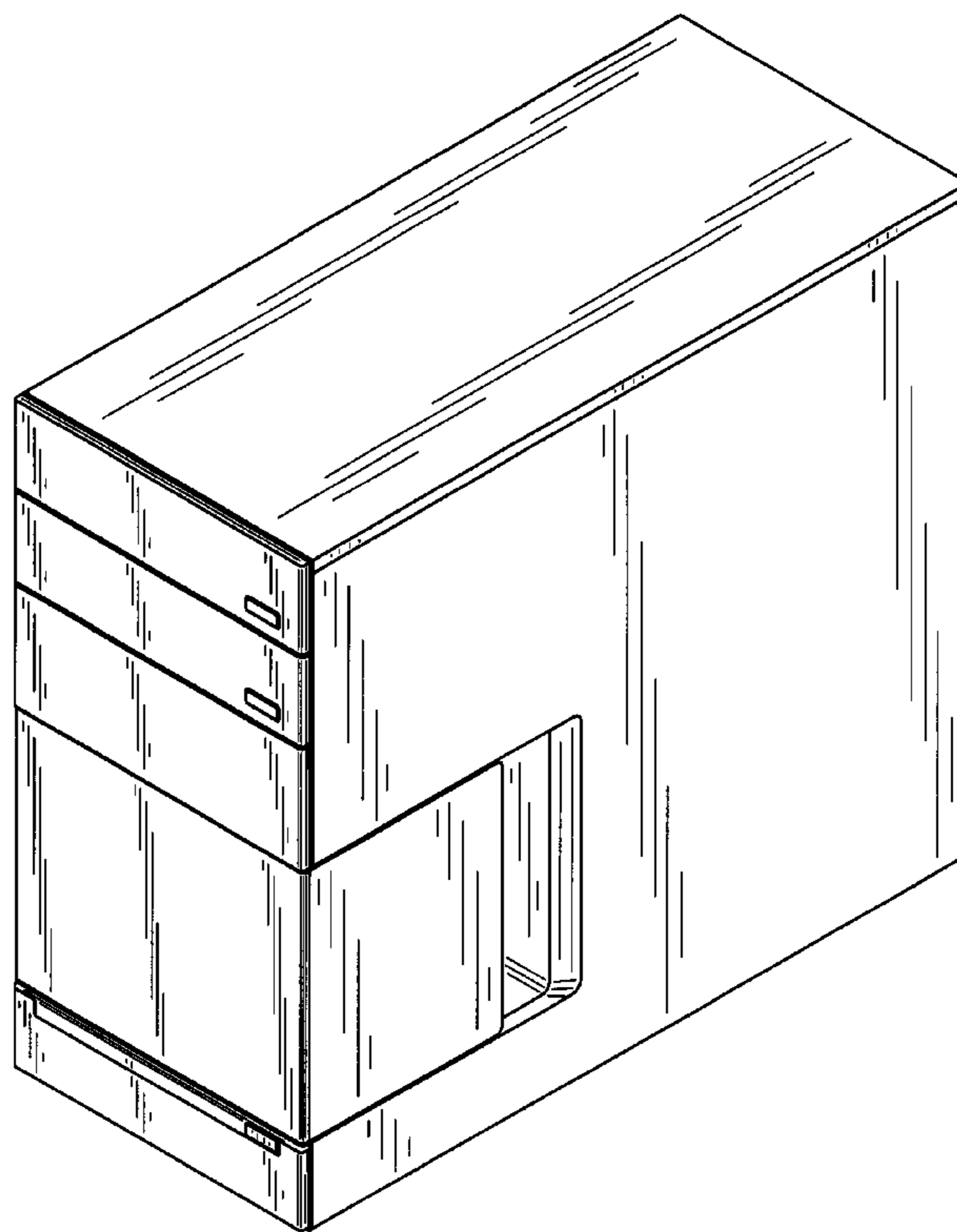


Fig. 1

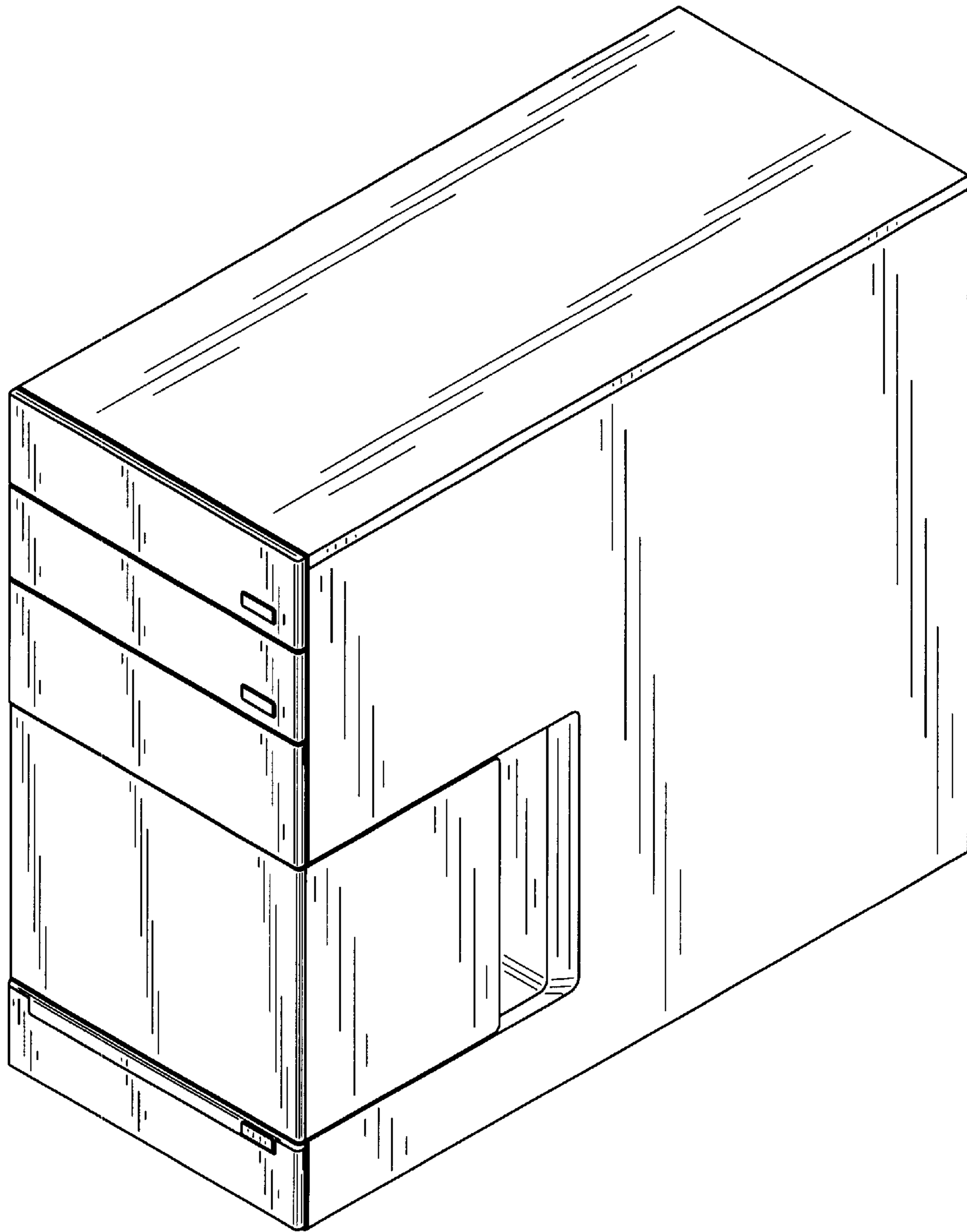


Fig.2

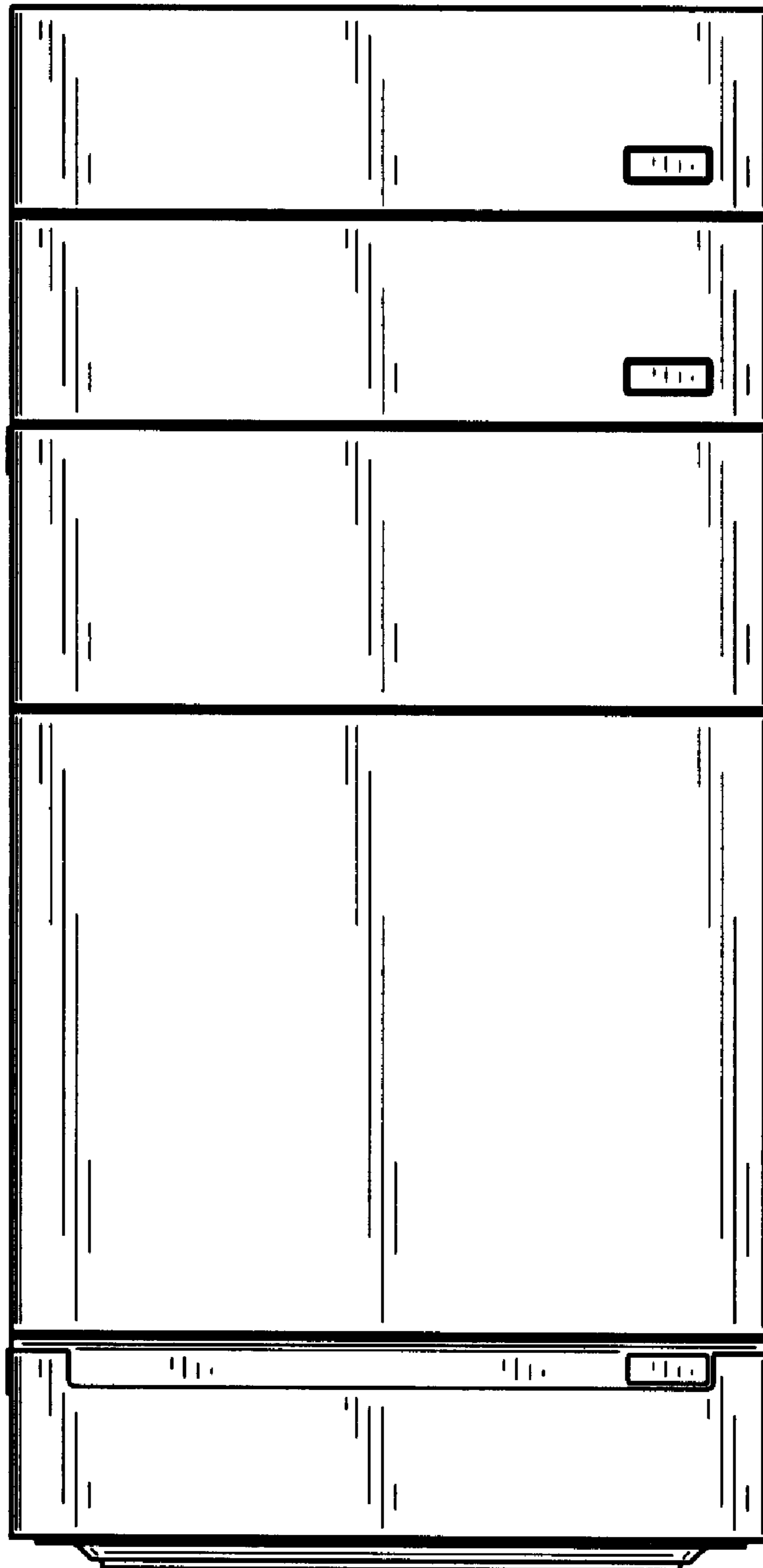


Fig.3

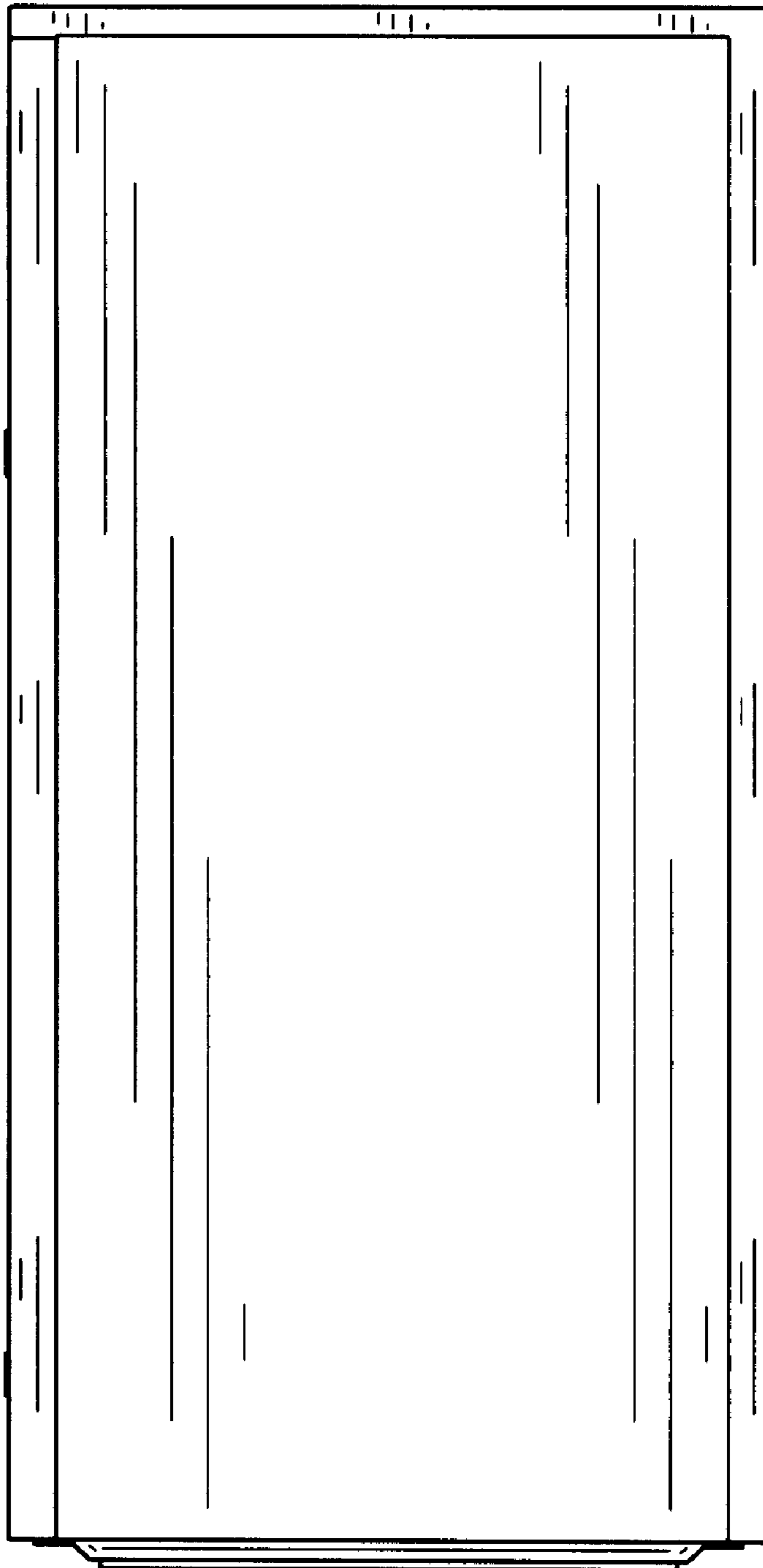


Fig.4

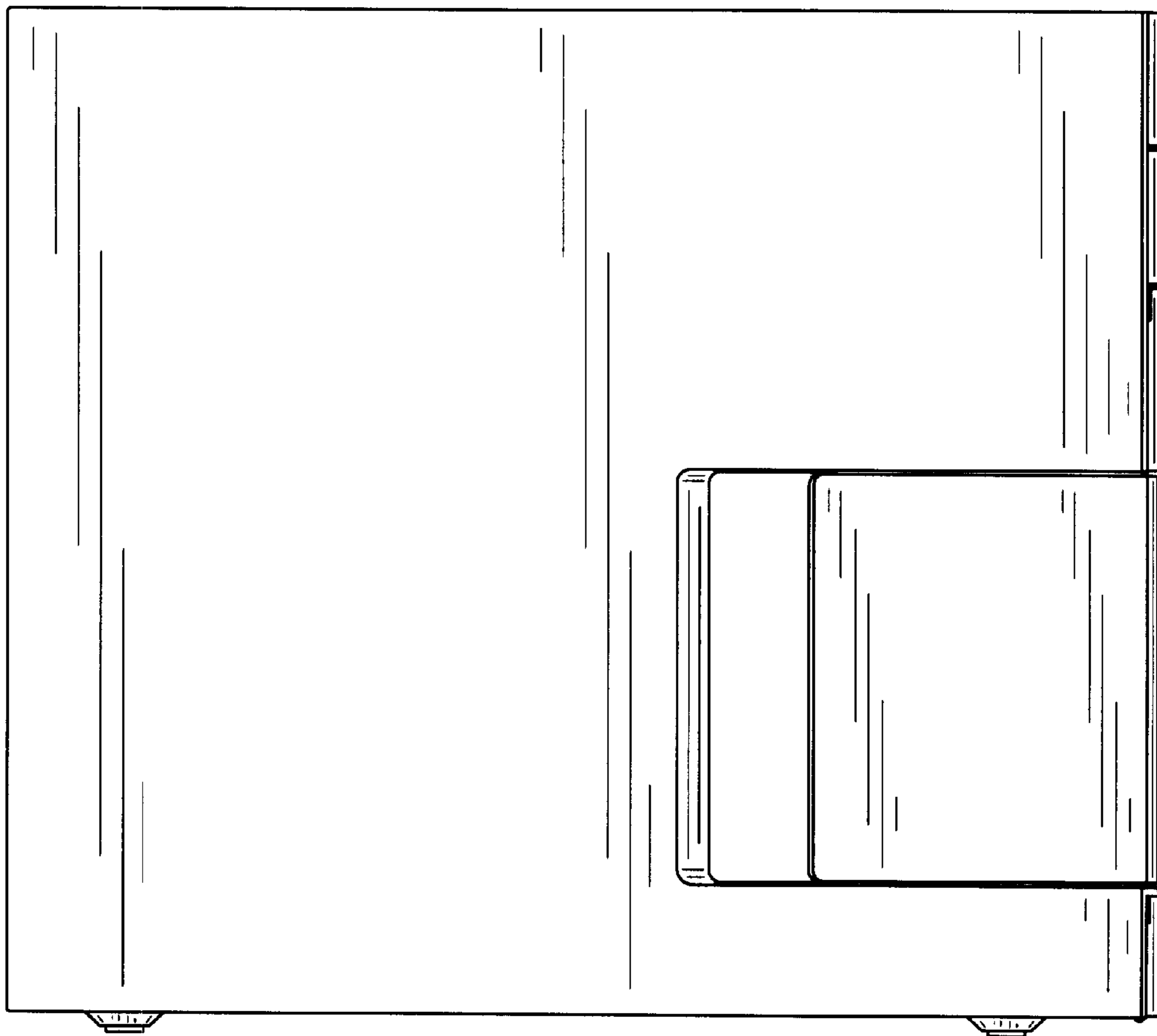


Fig.5

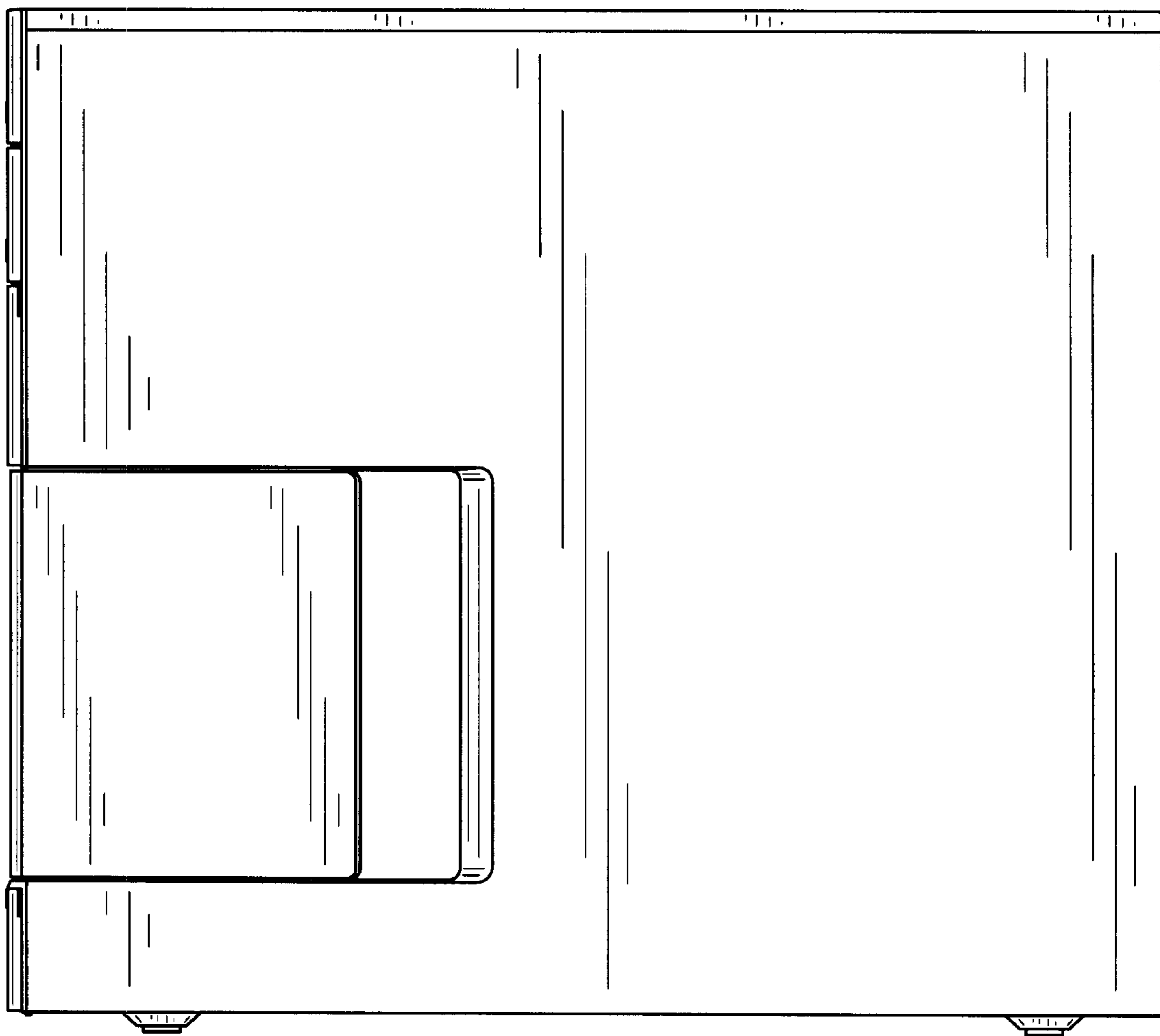


Fig.6

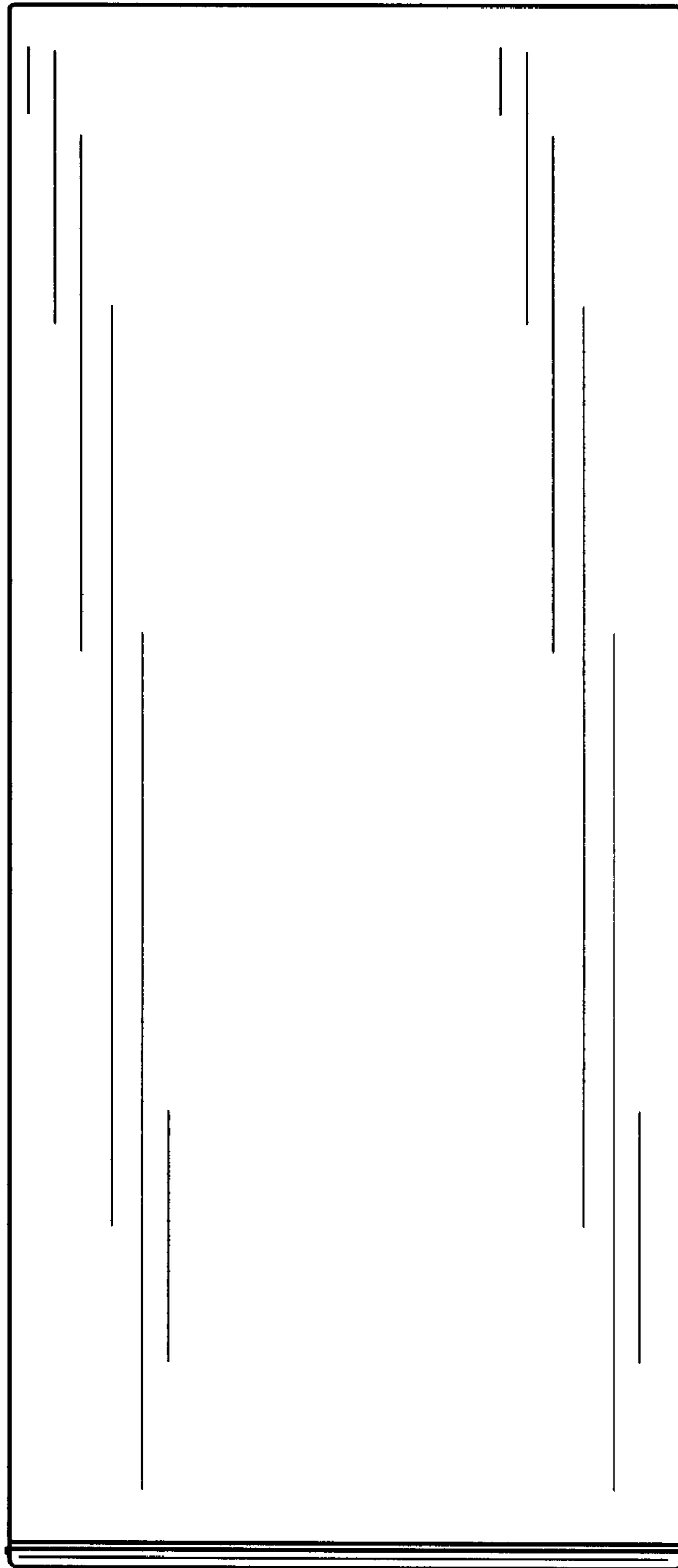


Fig.7

