



US00D533867S

(12) **United States Design Patent**  
**Koizumi**

(10) **Patent No.:** **US D533,867 S**

(45) **Date of Patent:** **\*\* Dec. 19, 2006**

(54) **EARPHONE**

(75) Inventor: **Shiki Koizumi**, Tokyo (JP)

(73) Assignee: **Sony Corporation**, Tokyo (JP)

(\*\*) Term: **14 Years**

(21) Appl. No.: **29/234,612**

(22) Filed: **Jul. 21, 2005**

(30) **Foreign Application Priority Data**

Apr. 22, 2005 (JP) ..... D2005-011961

(51) **LOC (8) Cl.** ..... **14-01**

(52) **U.S. Cl.** ..... **D14/223**

(58) **Field of Classification Search** ..... D14/188,  
D14/192, 205, 206, 223; 181/129, 130, 135;  
381/370, 380, 381, 385, 387; 379/430  
See application file for complete search history.

(56) **References Cited**

**U.S. PATENT DOCUMENTS**

4,742,887	A	*	5/1988	Yamagishi	.....	181/129
4,981,194	A	*	1/1991	Kamon et al.	.....	181/129
D331,061	S	*	11/1992	Hyohgo	.....	D14/223
D331,062	S	*	11/1992	Kanno	.....	D14/223
D337,118	S	*	7/1993	Seikita	.....	D14/223
D337,589	S	*	7/1993	Wada	.....	D14/223
D353,379	S		12/1994	Nakamura et al.		
5,420,935	A	*	5/1995	Shinohara et al.	.....	381/370
D463,789	S	*	10/2002	DeKalb et al.	.....	D14/223
6,810,987	B1	*	11/2004	DeKalb	.....	181/129
D499,397	S	*	12/2004	Hlas et al.	.....	D14/223
D512,990	S	*	12/2005	Yang	.....	D14/223

**OTHER PUBLICATIONS**

Web page, "AF120A," <http://www.jvc.com/product.jsp?modelId=MODL027525&pathId=110&page=1>, 1 sheet, Japan Victor (May 2005).

Web page, "HP-FX55," <http://www.jvc-victor.c.jp/accessory/headphone/inner/index.html>, 1 sheet, Japan Victor (May 2005).

Web page, "HP-F220," <http://www.jvc-victor.c.jp/accessory/headphone/inner/index.html>, 1 sheet, Japan Victor (May 2005).

\* cited by examiner

*Primary Examiner*—Paula A. Greene

(74) *Attorney, Agent, or Firm*—Rader, Fishman & Grauer PLLC

(57) **CLAIM**

The ornamental design for an earphone, as shown and described.

**DESCRIPTION**

FIG. 1 is a perspective view of an earphone showing my new design;

FIG. 2 is a front elevational view thereof;

FIG. 3 is a rear elevational view thereof;

FIG. 4 is a left side elevational view thereof;

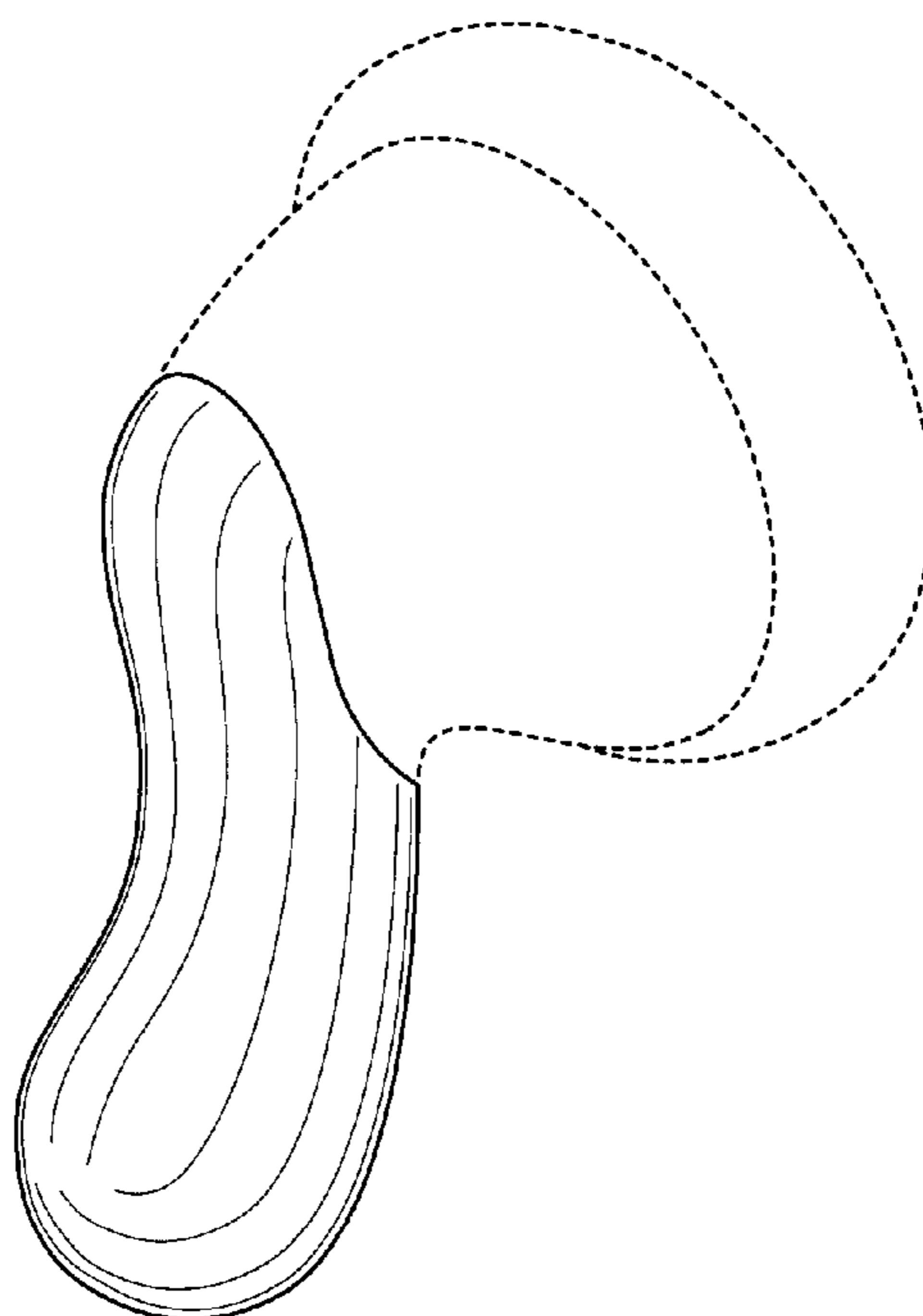
FIG. 5 is a right side elevational view thereof;

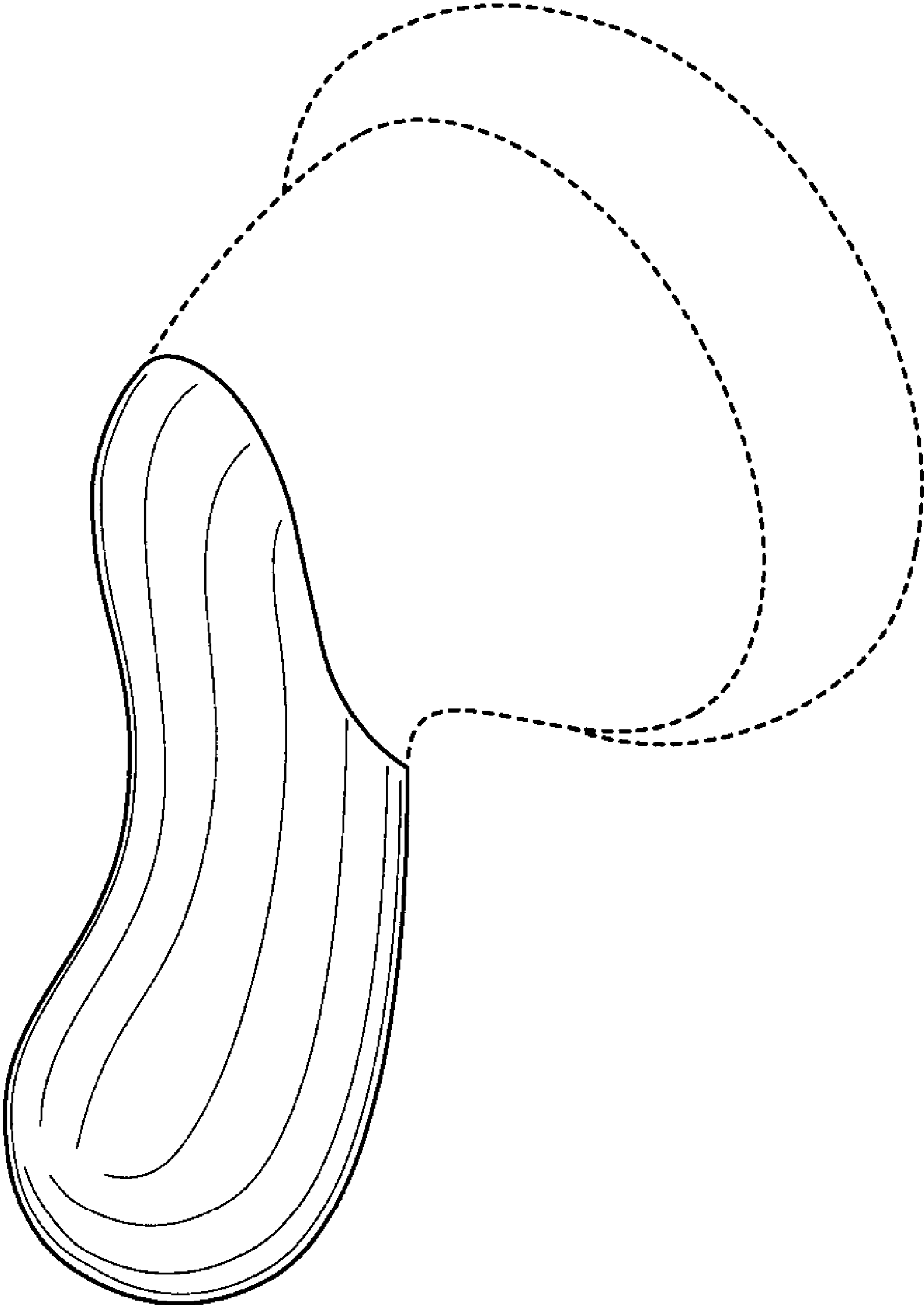
FIG. 6 is a top plan view thereof; and,

FIG. 7 is a bottom plan view thereof.

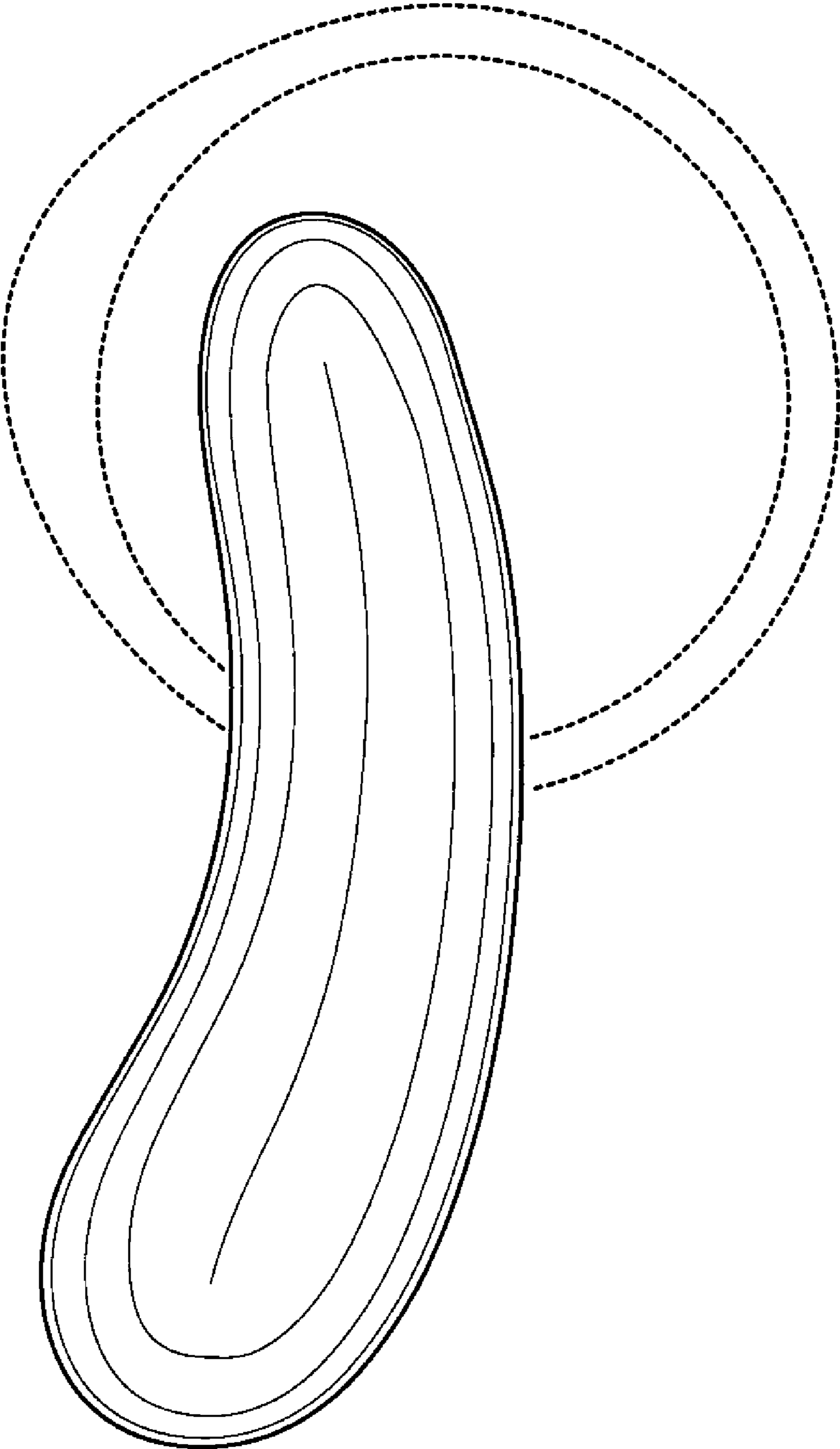
Portions of FIGS. 1–7 that are shown as broken lines are for illustrative purpose only and form no part of the claimed design.

**1 Claim, 7 Drawing Sheets**

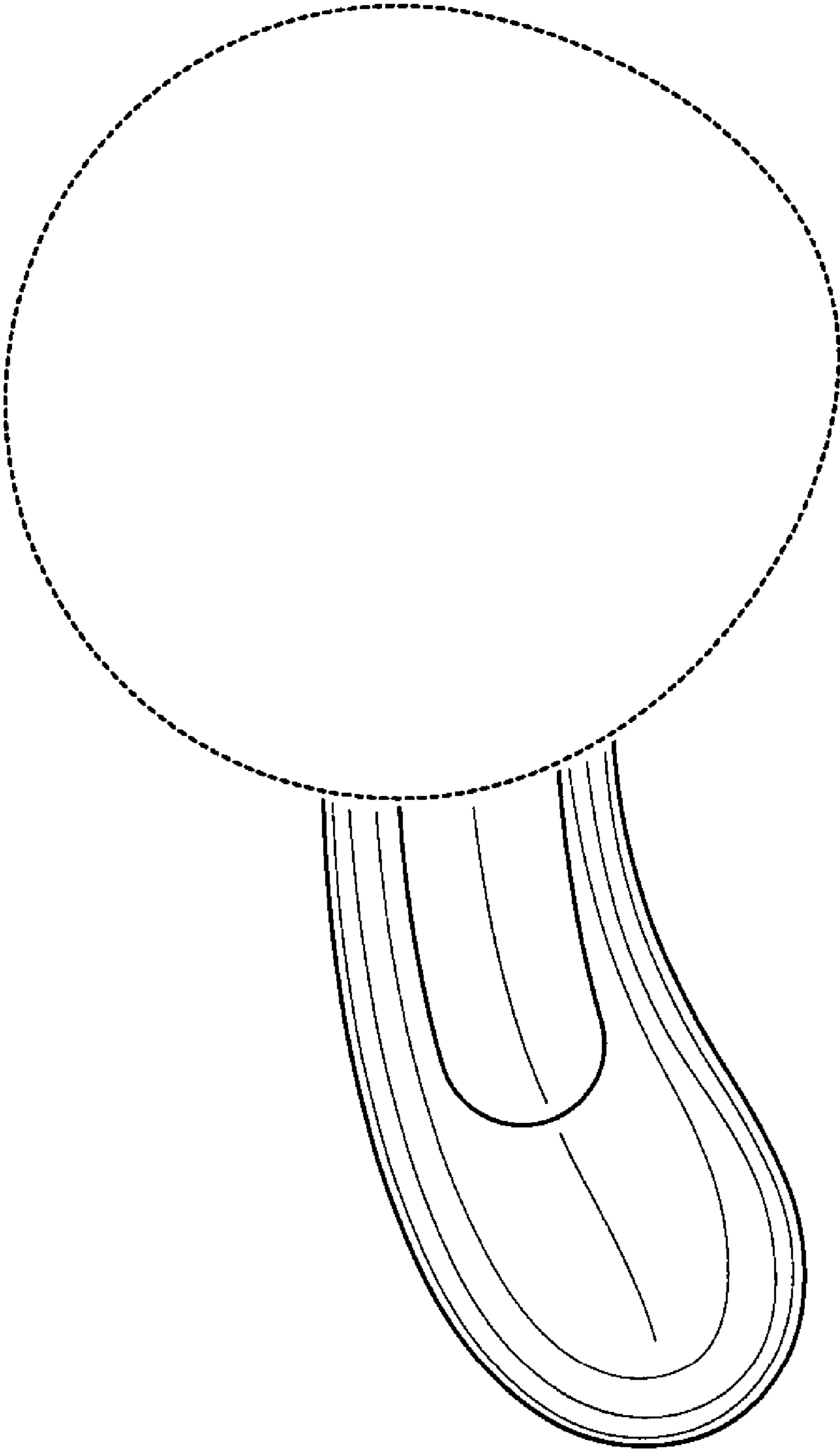




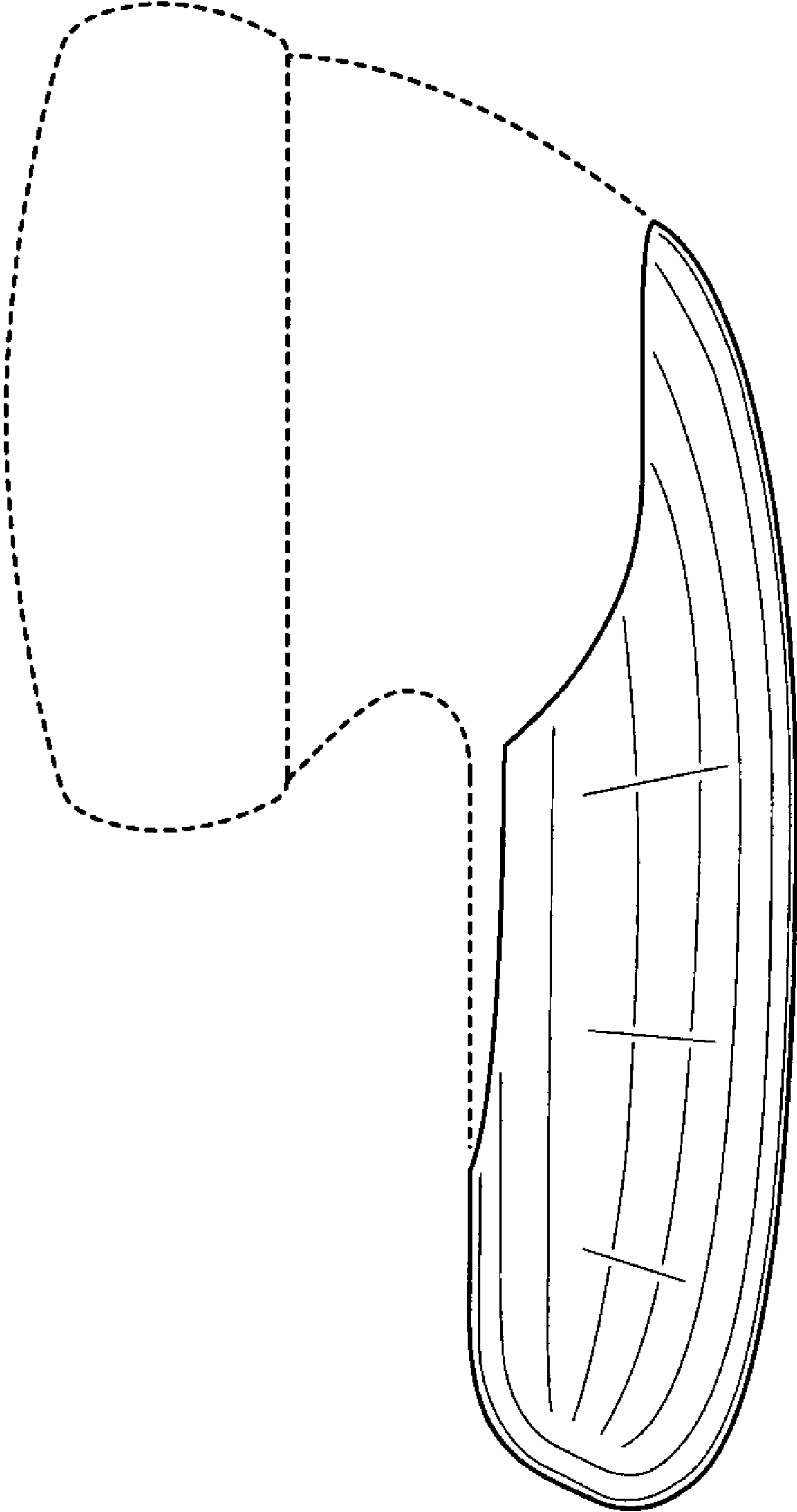
**FIG. 1**



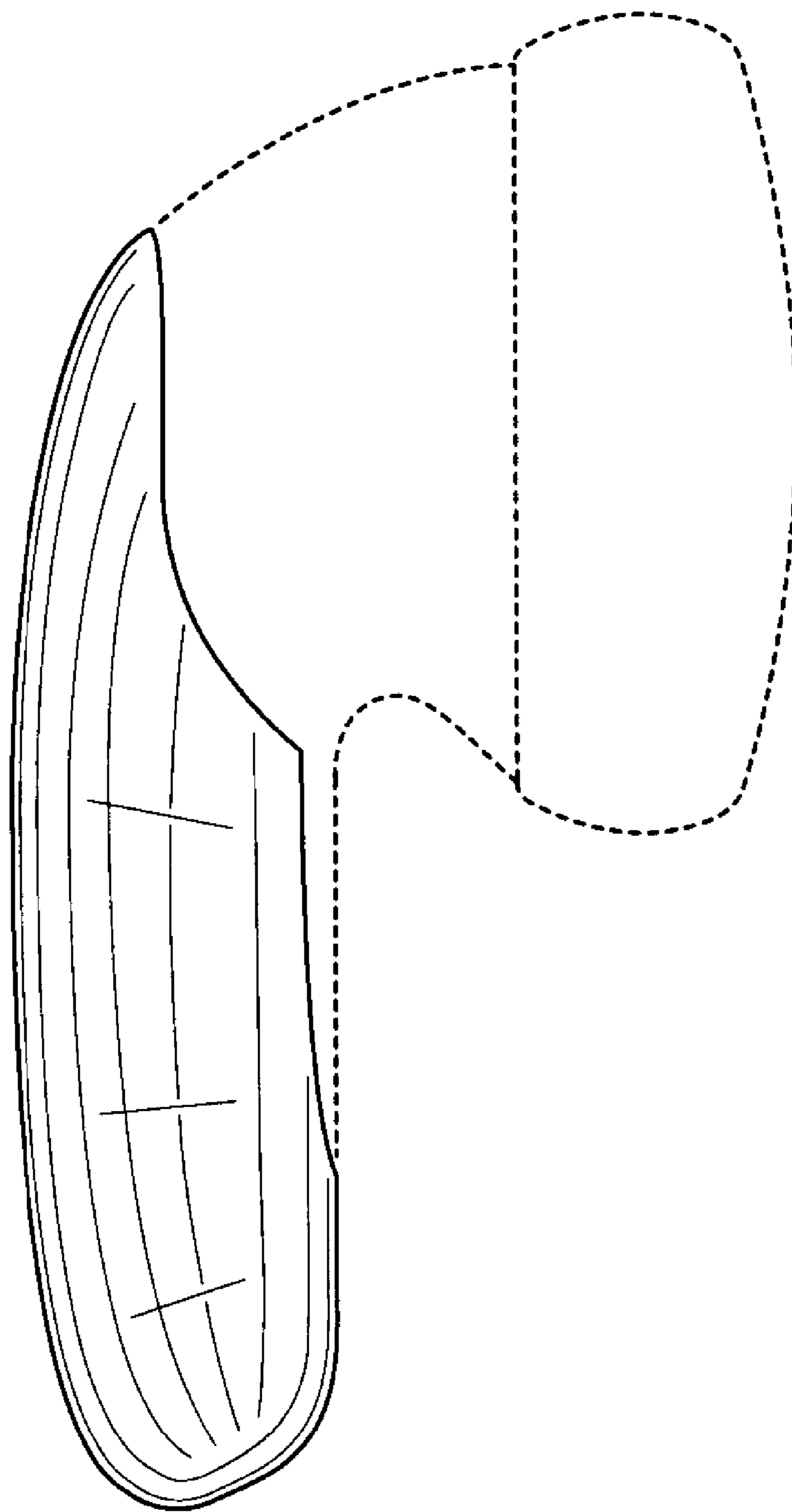
**FIG. 2**



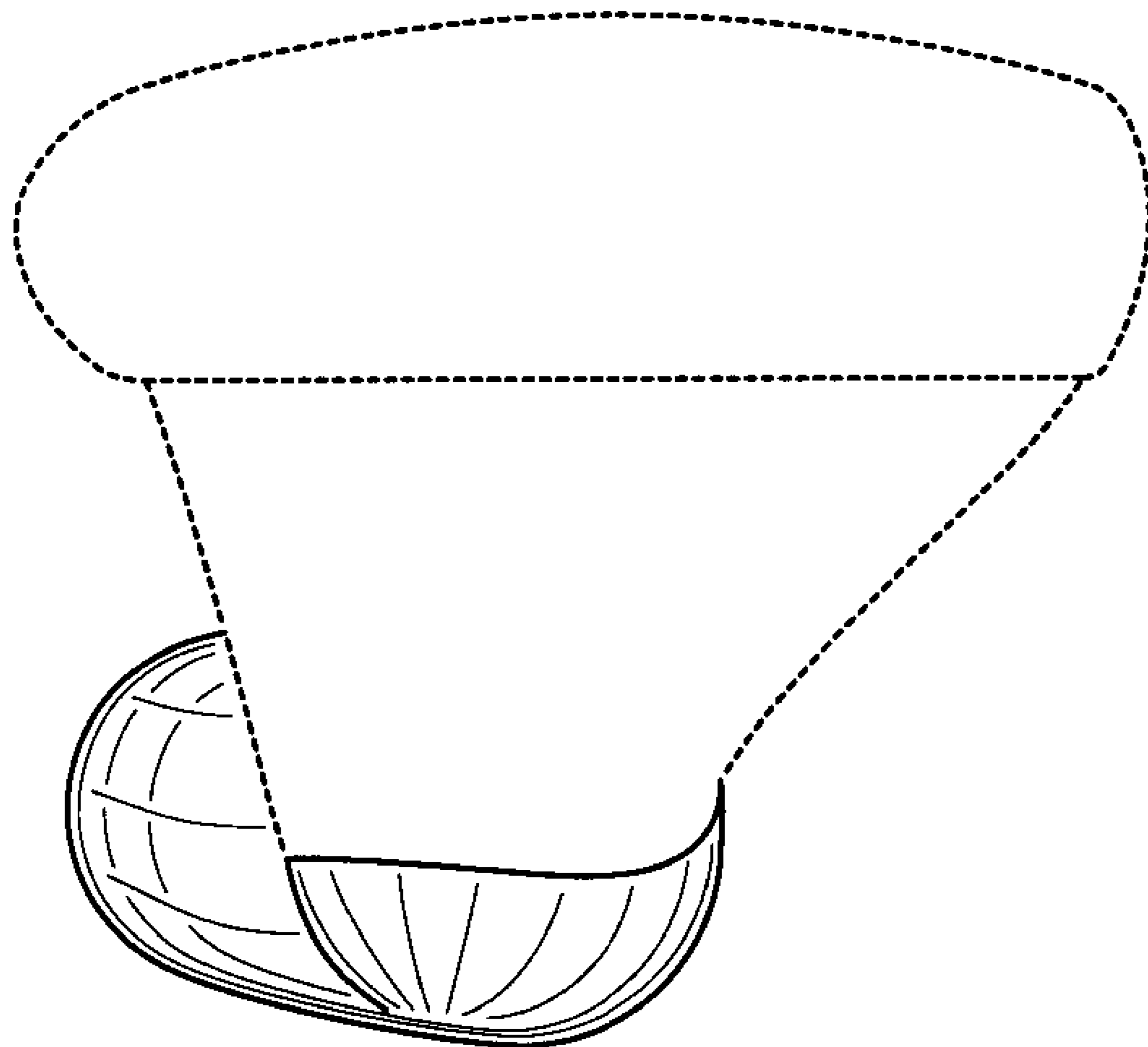
**FIG. 3**



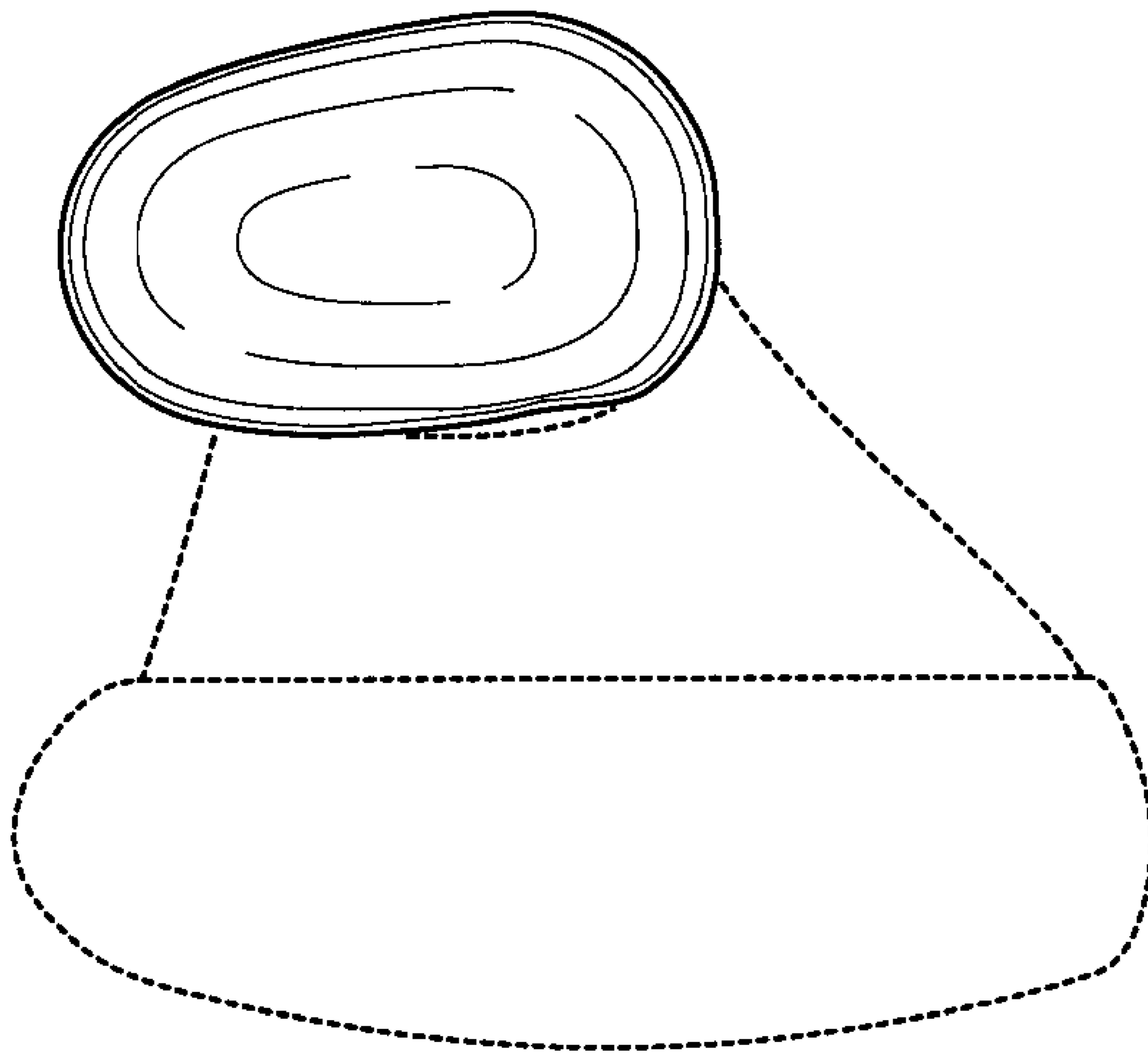
**FIG. 4**



**FIG. 5**



**FIG. 6**



**FIG. 7**