



US00D533866S

(12) **United States Design Patent**
Morisawa

(10) **Patent No.:** **US D533,866 S**

(45) **Date of Patent:** **** Dec. 19, 2006**

(54) **REMOTE CONTROLLER**

(75) Inventor: **Yujin Morisawa**, Tokyo (JP)

(73) Assignee: **Sony Corporation**, Tokyo (JP)

(**) Term: **14 Years**

(21) Appl. No.: **29/254,861**

(22) Filed: **Mar. 2, 2006**

(30) **Foreign Application Priority Data**

Sep. 2, 2005 (JP) D2005-025533

(51) **LOC (8) Cl.** **14-03**

(52) **U.S. Cl.** **D14/218**

(58) **Field of Classification Search** D14/174,
D14/217, 218, 137-139, 151, 191-193, 299,
D14/167, 168; D13/168, 162-164; D21/512-517,
D21/566; D10/104, 106; 455/352-355, 151.1-151.4,
455/128, 347, 90.3; 348/114, 734
See application file for complete search history.

(56) **References Cited**

U.S. PATENT DOCUMENTS

D363,933 S * 11/1995 Starck D14/218
D424,567 S 5/2000 Hakoda
D456,366 S * 4/2002 Montagnino et al. D13/168

D462,945 S * 9/2002 Skulley D14/218
D463,787 S * 10/2002 Beraut et al. D14/218
D476,307 S * 6/2003 Ng D14/192
D492,284 S 6/2004 Suzuki

* cited by examiner

Primary Examiner—Louis S. Zarfes

Assistant Examiner—John Windmuller

(74) *Attorney, Agent, or Firm*—Rader, Fishman & Grauer
PLLC

(57) **CLAIM**

The ornamental design for a remote controller, as shown.

DESCRIPTION

FIG. 1 is a perspective view of a remote controller showing my new design;

FIG. 2 is a front elevational view thereof;

FIG. 3 is a rear elevational view thereof;

FIG. 4 is a left side elevational view thereof;

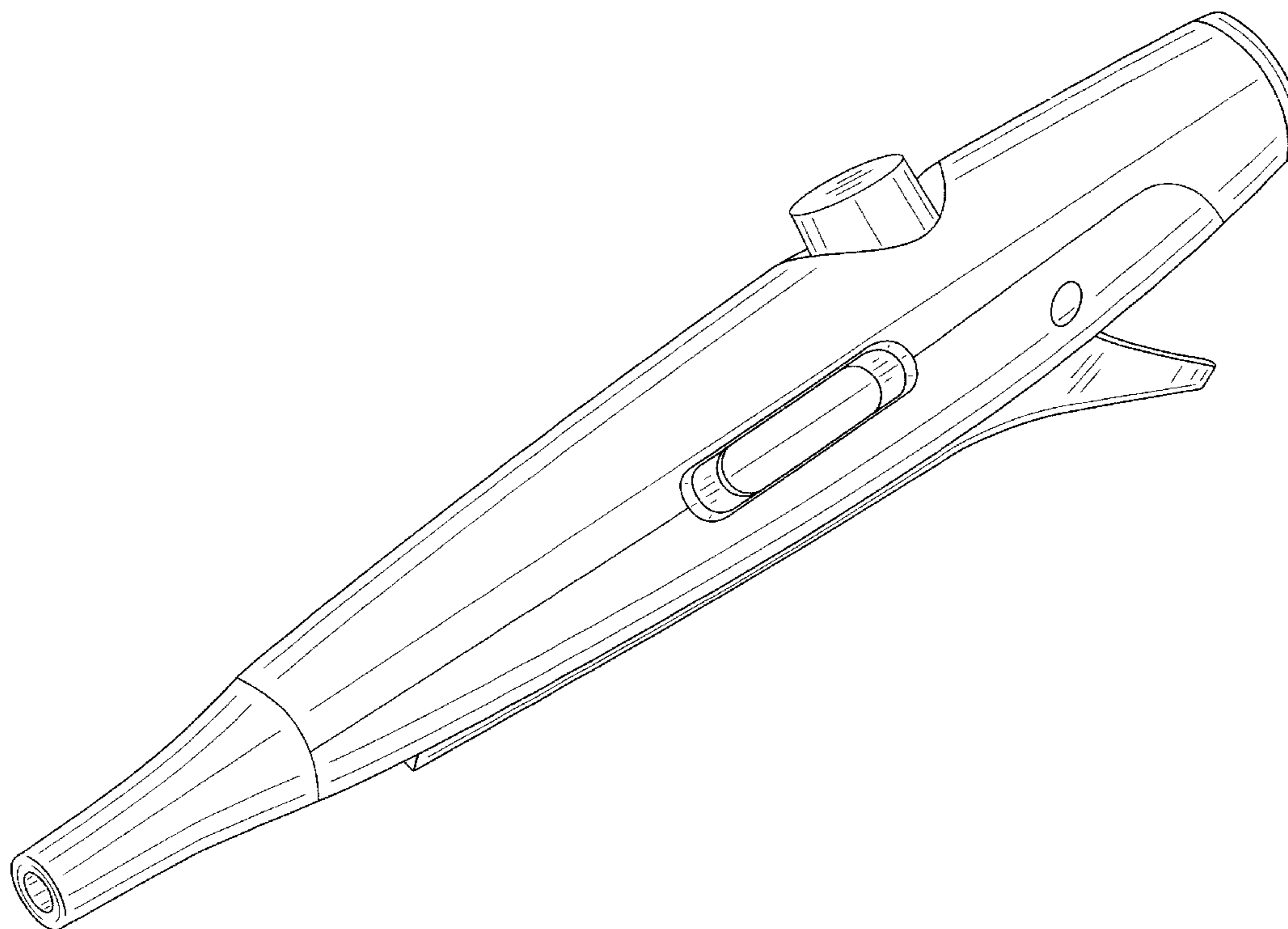
FIG. 5 is a right side elevational view thereof;

FIG. 6 is a top plan view thereof; and,

FIG. 7 is a bottom plan view thereof.

All of the material from the Japanese Application which is essential to the claimed design is included herein. Any material in the Japanese Application which is not present herein forms no part of the claimed design.

1 Claim, 7 Drawing Sheets



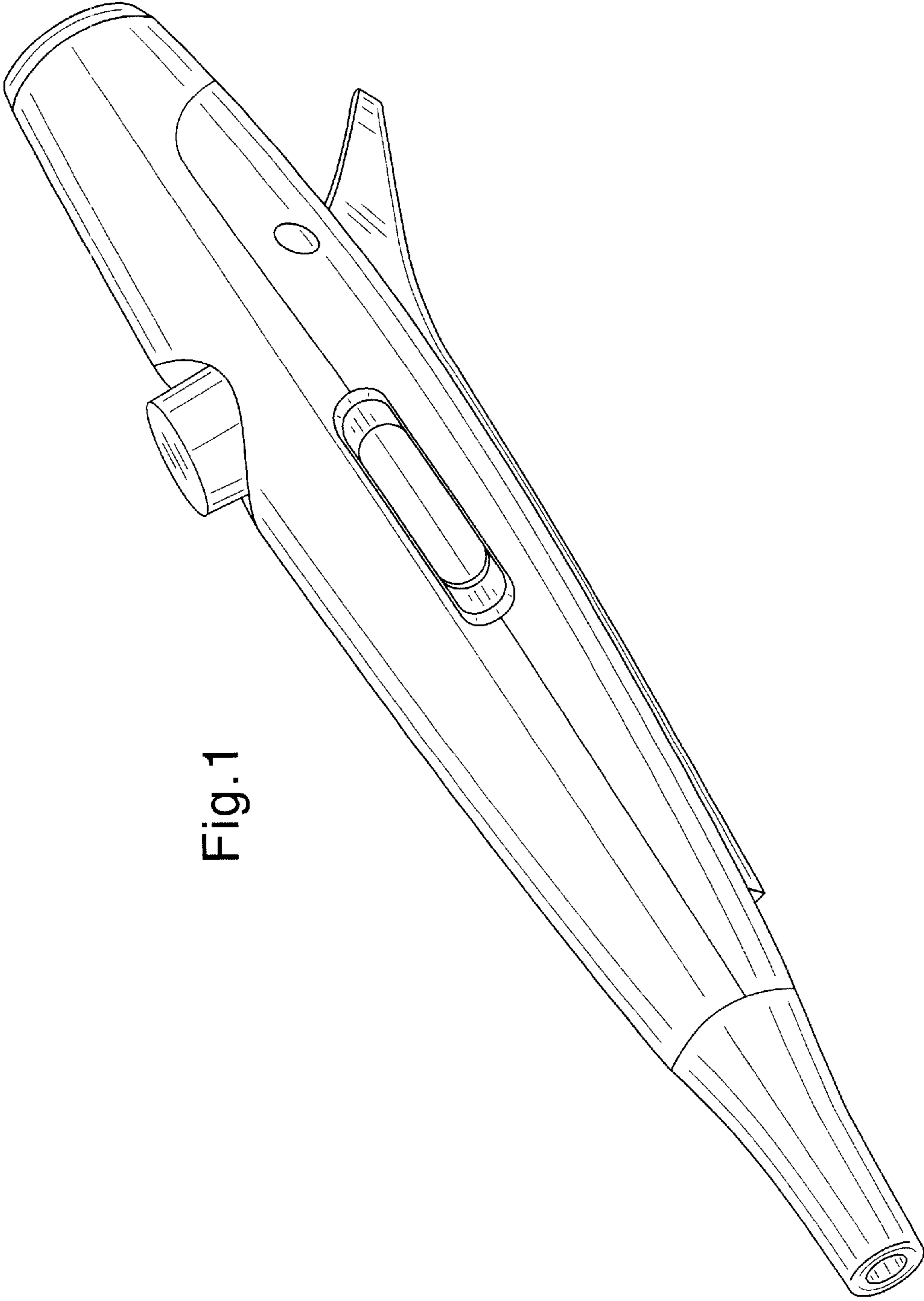


Fig. 1

Fig.2

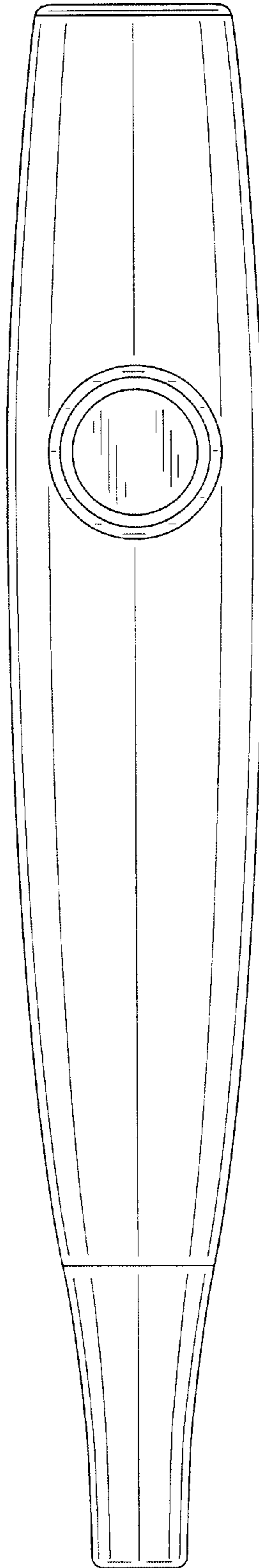


Fig.3

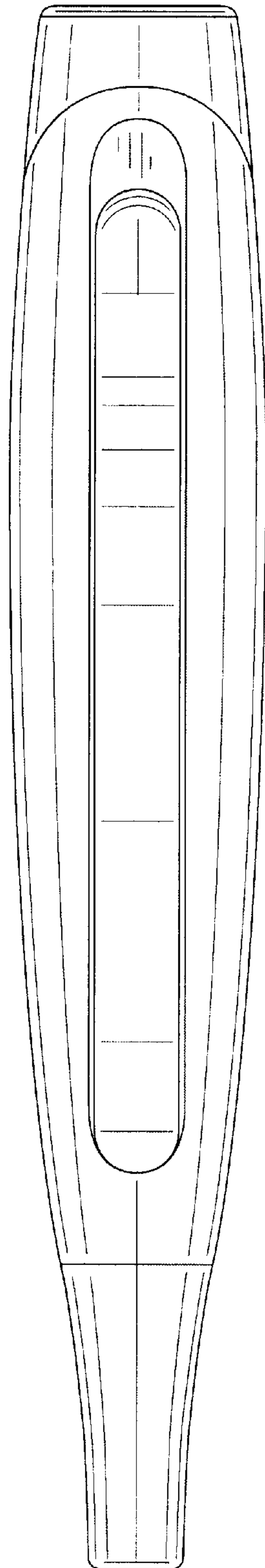


Fig.4

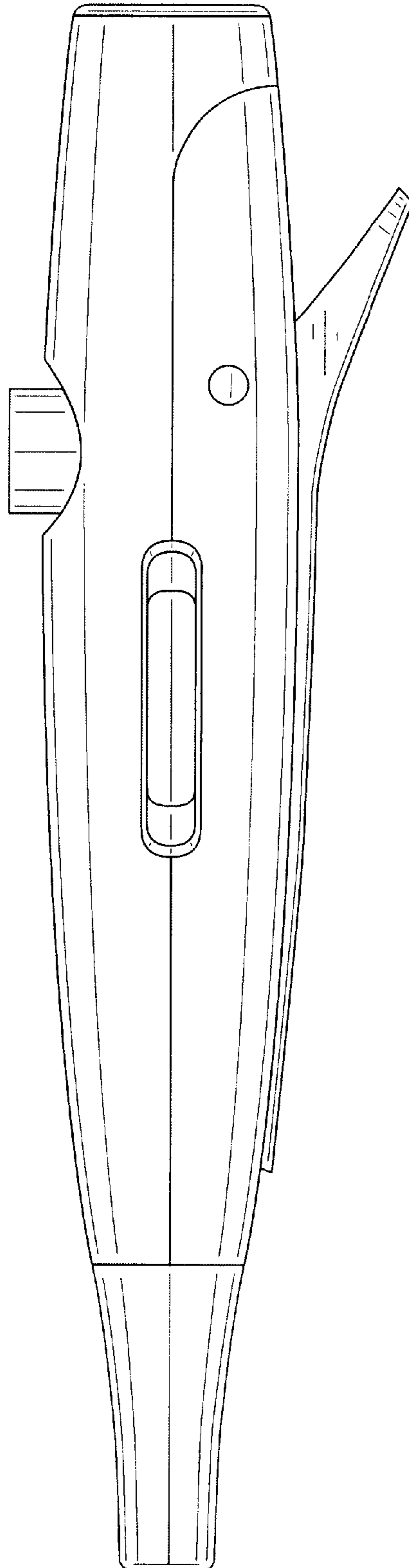


Fig.5

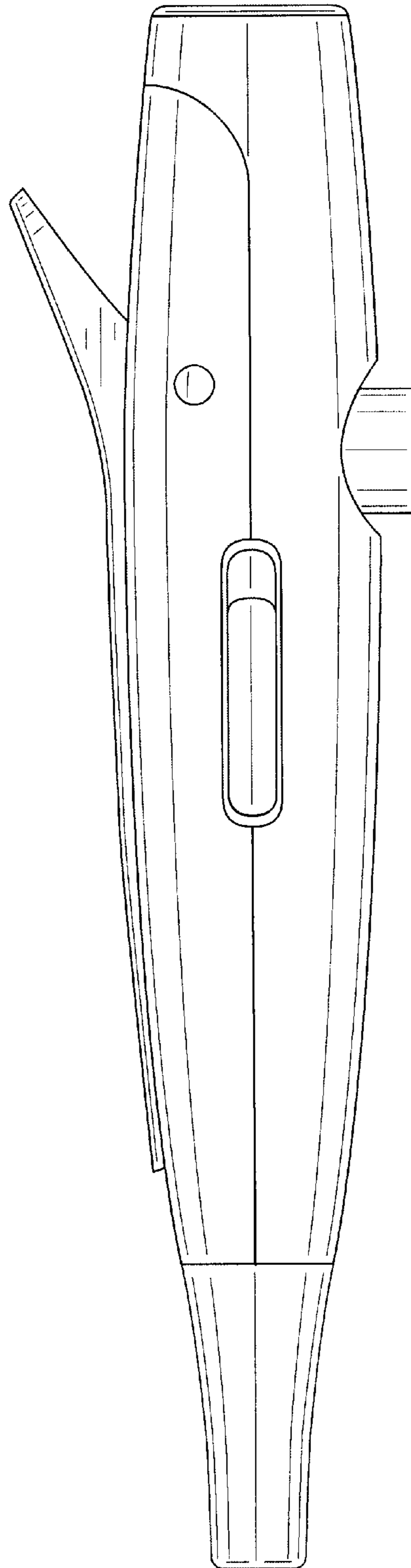


Fig. 6

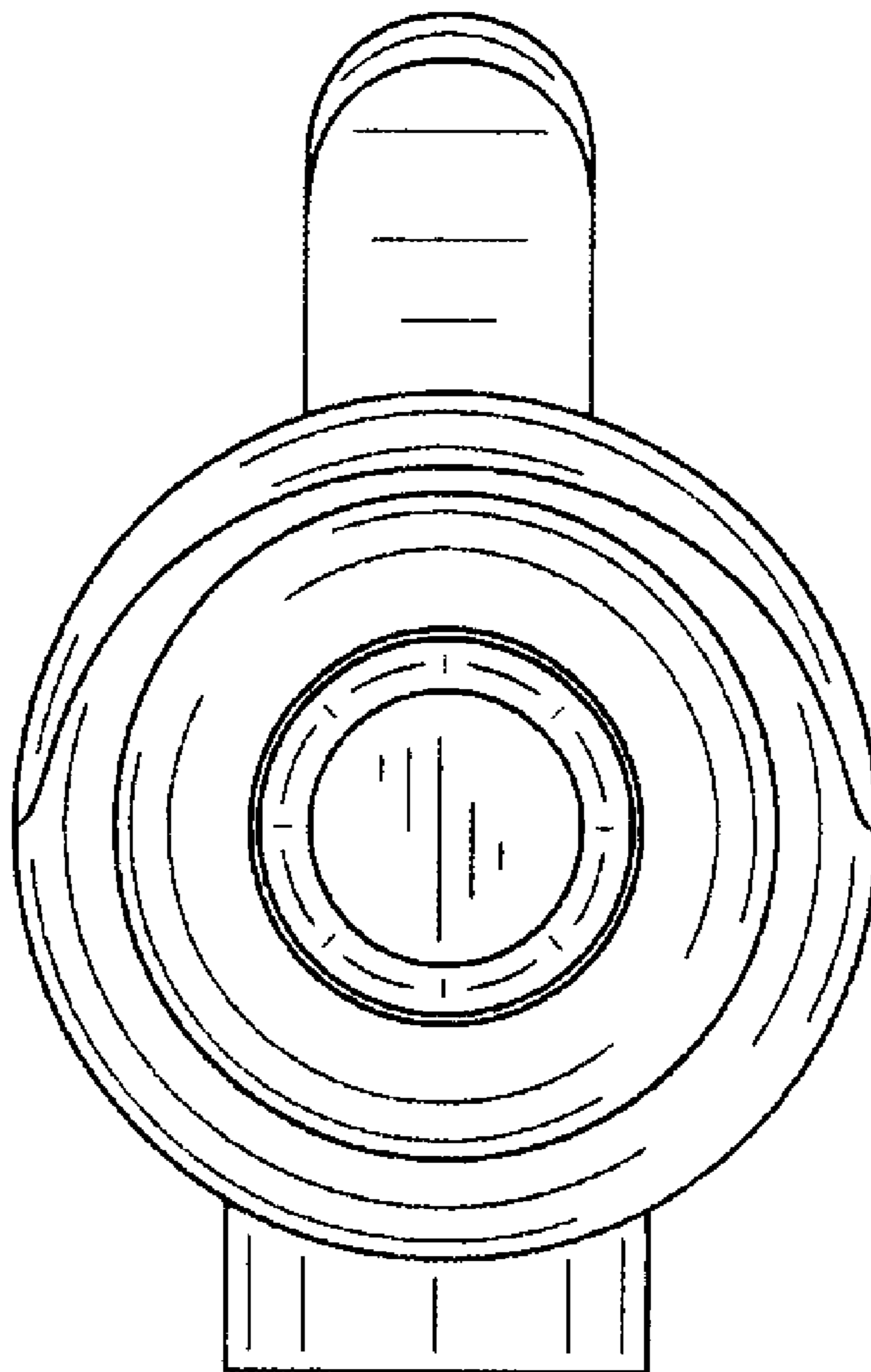


Fig. 7

