



US00D533865S

(12) **United States Design Patent** (10) **Patent No.:** **US D533,865 S**
Wittenbrock et al. (45) **Date of Patent:** **** Dec. 19, 2006**

(54) **HEADSET**
(75) Inventors: **Steve Wittenbrock**, Portland, OR (US);
Jason Sagen, Portland, OR (US); **Scott Whitman**, Portland, OR (US)
(73) Assignee: **The Timao Group, Inc.**, Portland, OR (US)
(**) Term: **14 Years**

4,617,431 A * 10/1986 Scott et al. 381/344
4,926,961 A * 5/1990 Gattey et al. 181/22
5,446,788 A * 8/1995 Lucey et al. 379/430
5,450,496 A * 9/1995 Burris et al. 381/375
D371,133 S * 6/1996 Andrea D14/206
6,101,260 A * 8/2000 Jensen et al. 381/381
D439,890 S * 4/2001 Skulley et al. D14/223
D441,739 S * 5/2001 Hayes et al. D14/223
D460,749 S * 7/2002 Liu D14/206

* cited by examiner

(21) Appl. No.: **29/260,694**
(22) Filed: **May 31, 2006**

Primary Examiner—Paula A. Greene
(74) *Attorney, Agent, or Firm*—Ipsolon LLP

Related U.S. Application Data

(57) **CLAIM**

(62) Division of application No. 29/234,304, filed on Jul. 15, 2005.

We claim the ornamental design for a headset, as shown and described.

(51) **LOC (8) Cl.** **14-01**
(52) **U.S. Cl.** **D14/206**
(58) **Field of Classification Search** D14/147,
D14/192, 205, 206, 223, 225, 248; 181/128,
181/129, 130, 22; 381/381, 344, 375; 379/430
See application file for complete search history.

DESCRIPTION

(56) **References Cited**

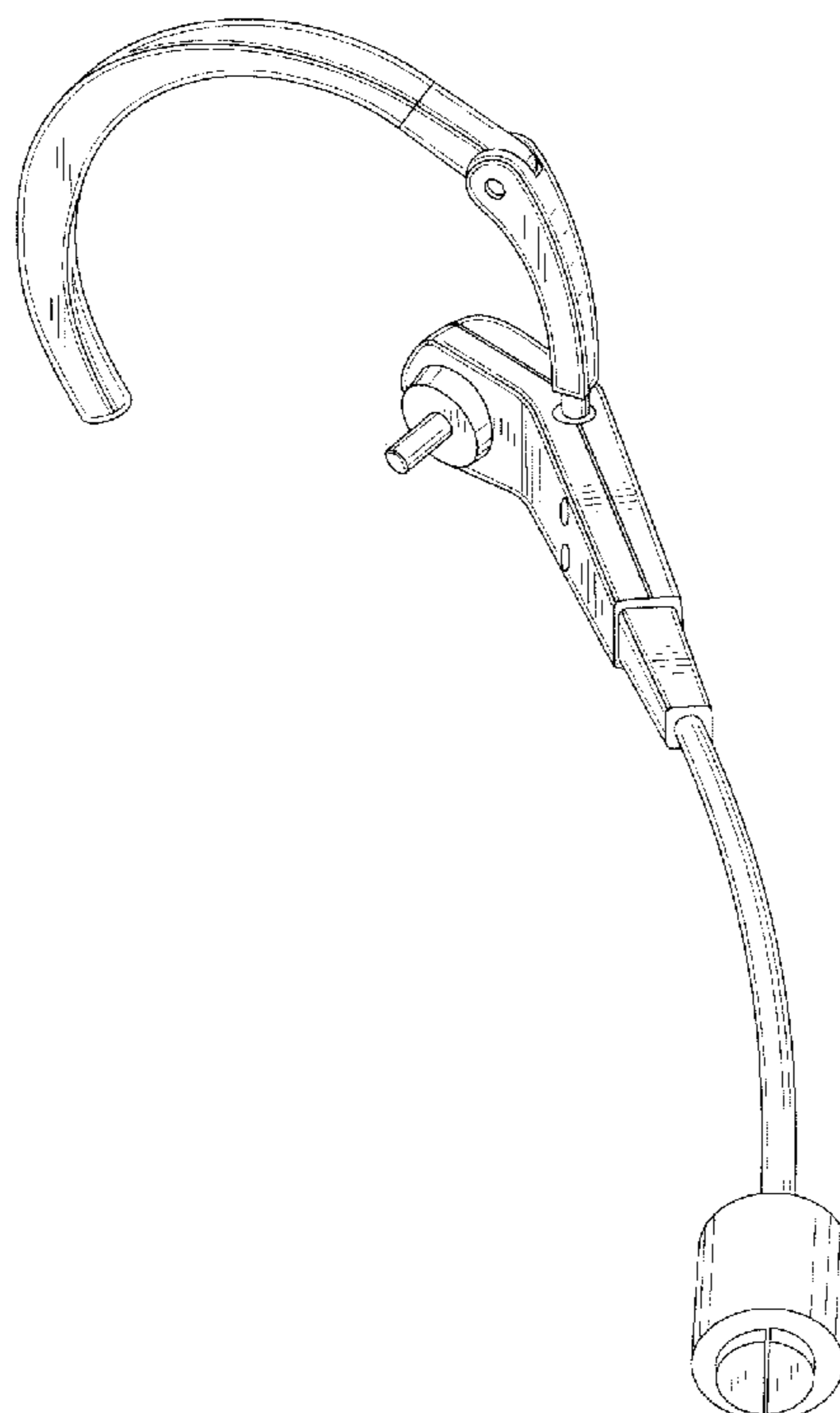
FIG. 1 is a top, left side perspective view of a headset showing our new design;
FIG. 2 is a rear elevation view thereof;
FIG. 3 is a front elevation view thereof;
FIG. 4 is a top plan view thereof;
FIG. 5 is a left side elevation view thereof;
FIG. 6 is a right side elevation view thereof; and,
FIG. 7 is a bottom plan view of the thereof.

U.S. PATENT DOCUMENTS

3,548,118 A * 12/1970 Hutchings 379/430
D233,444 S * 10/1974 Christian D14/206
4,453,050 A * 6/1984 Enokido 381/381

The broken lines are for illustrative purposes only and form no part of the claimed design.

1 Claim, 2 Drawing Sheets



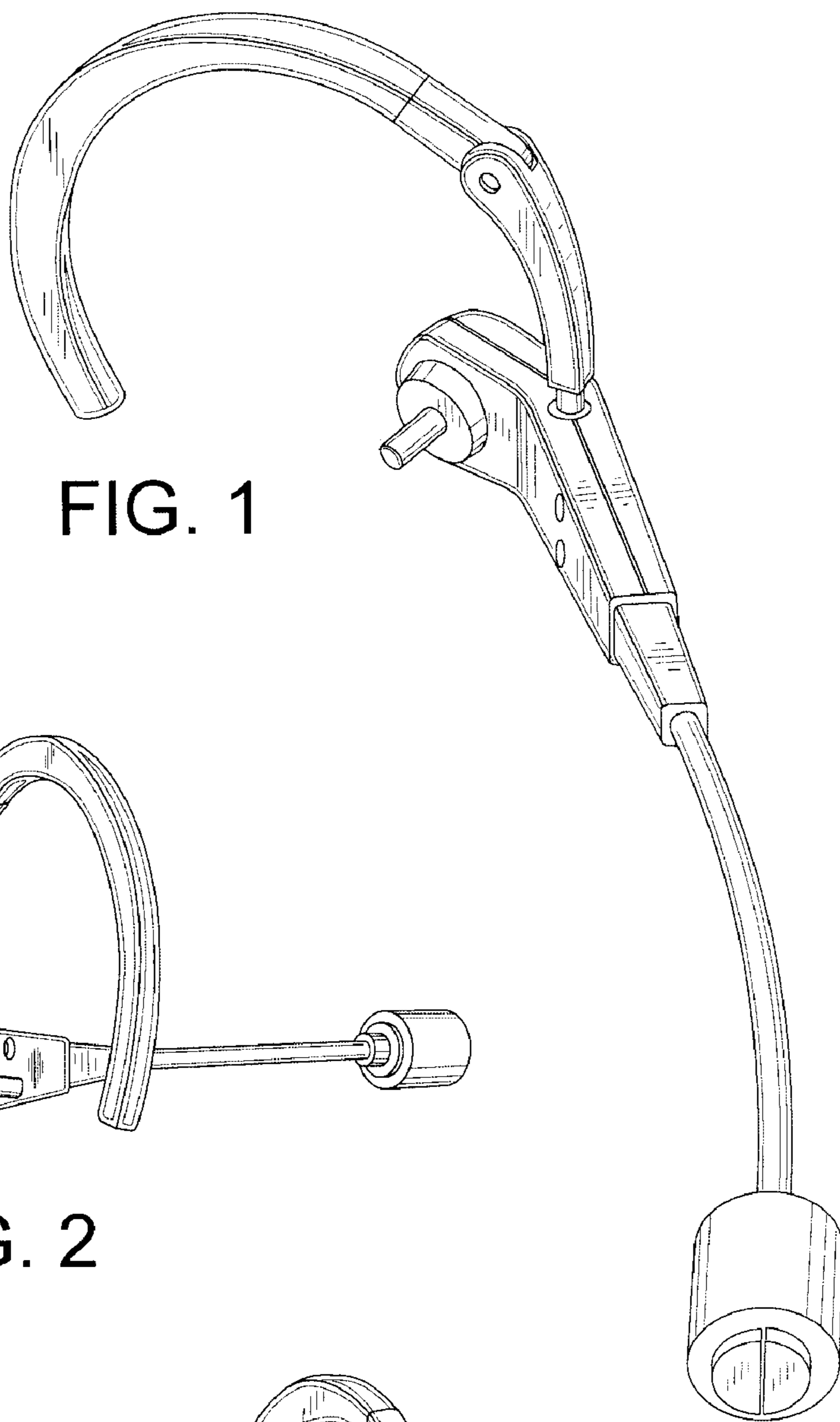


FIG. 1

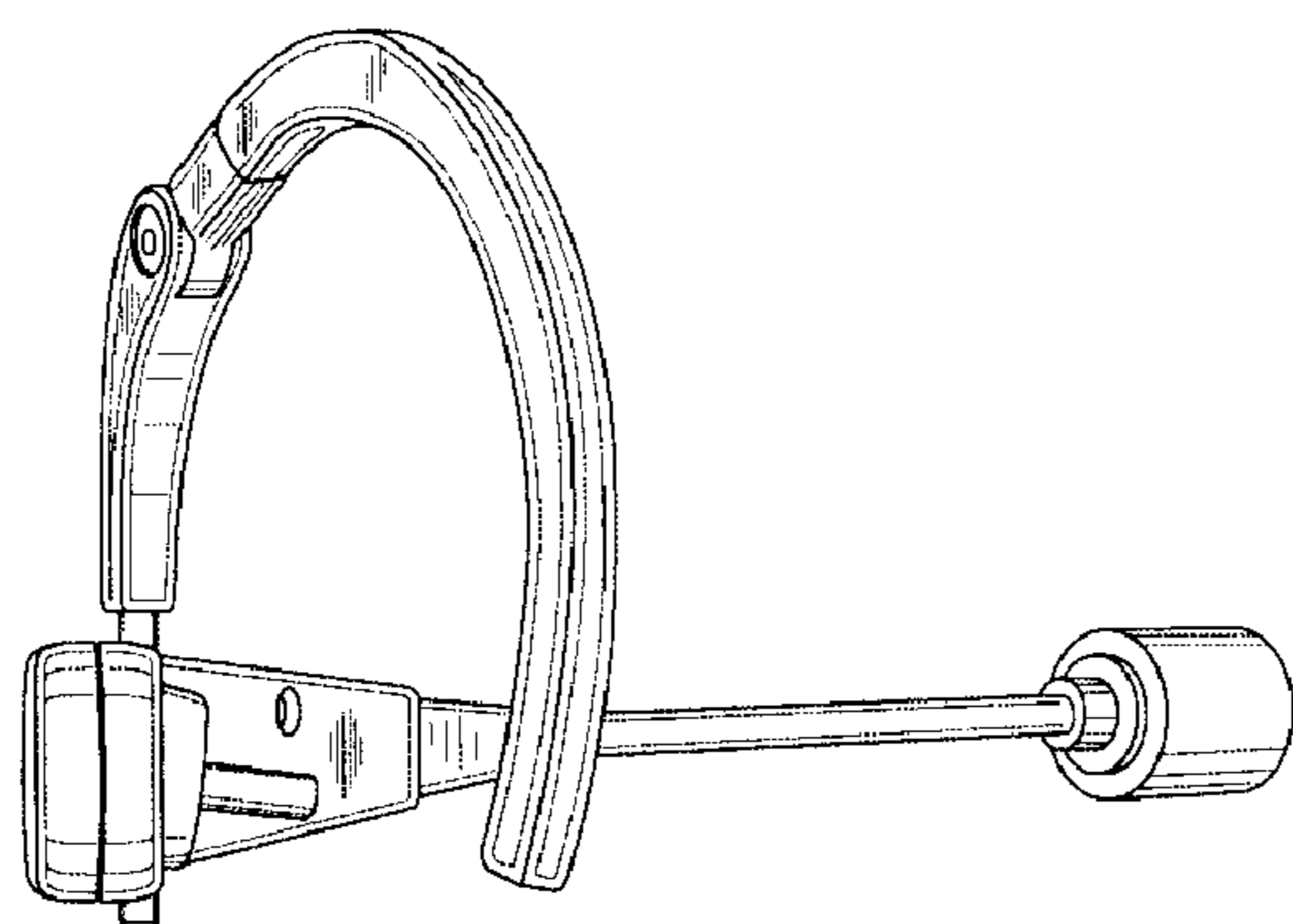


FIG. 2

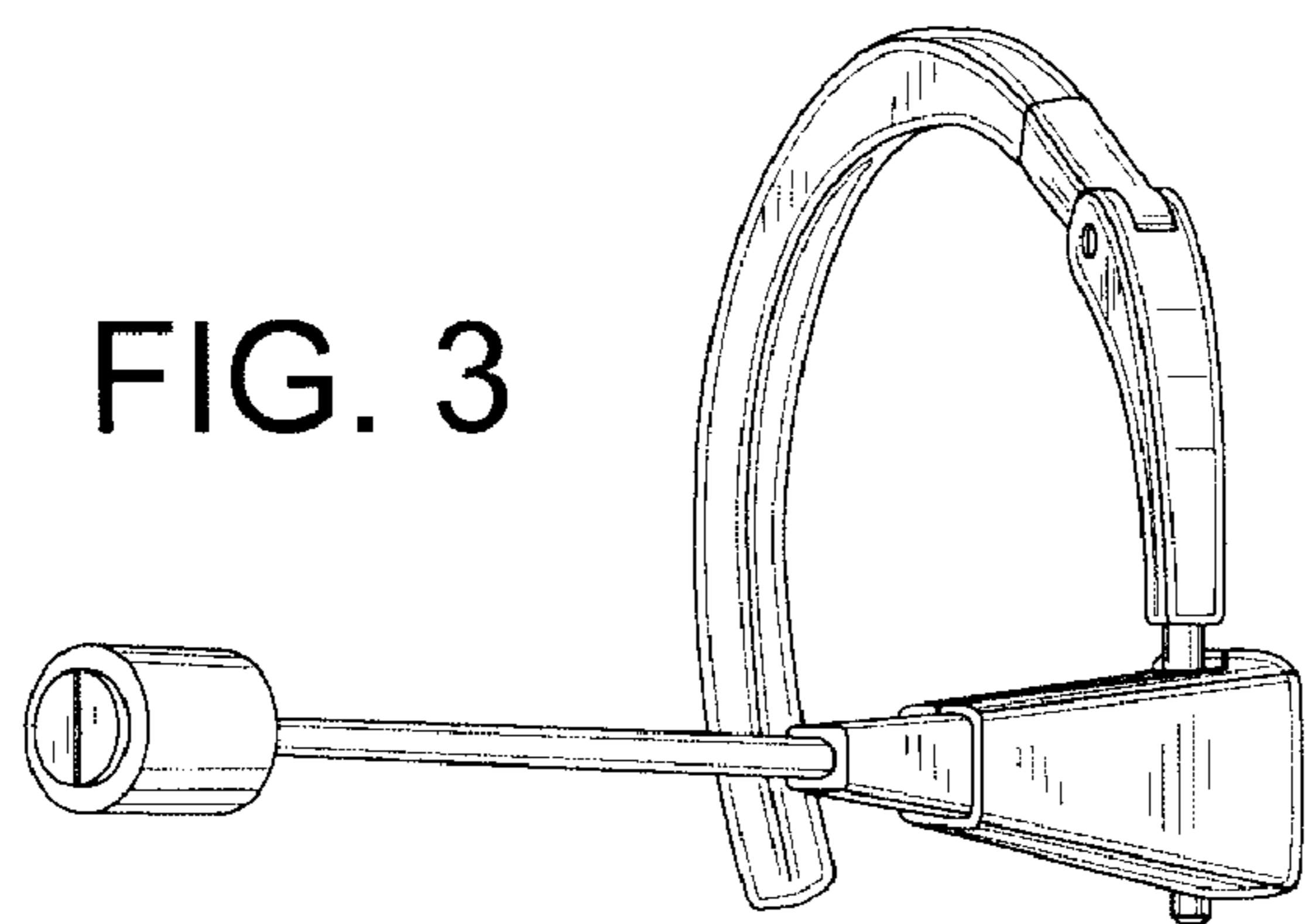


FIG. 3

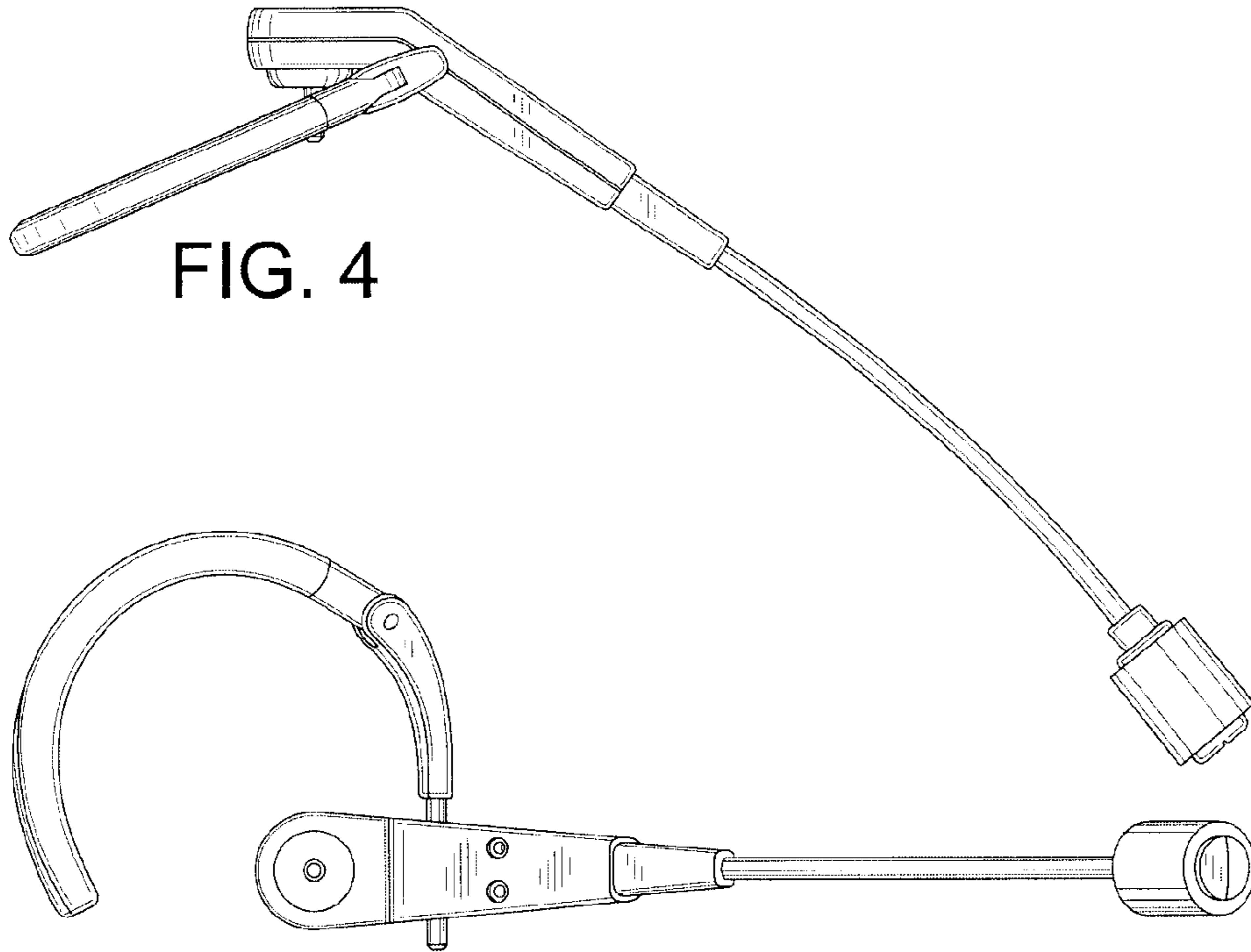


FIG. 4

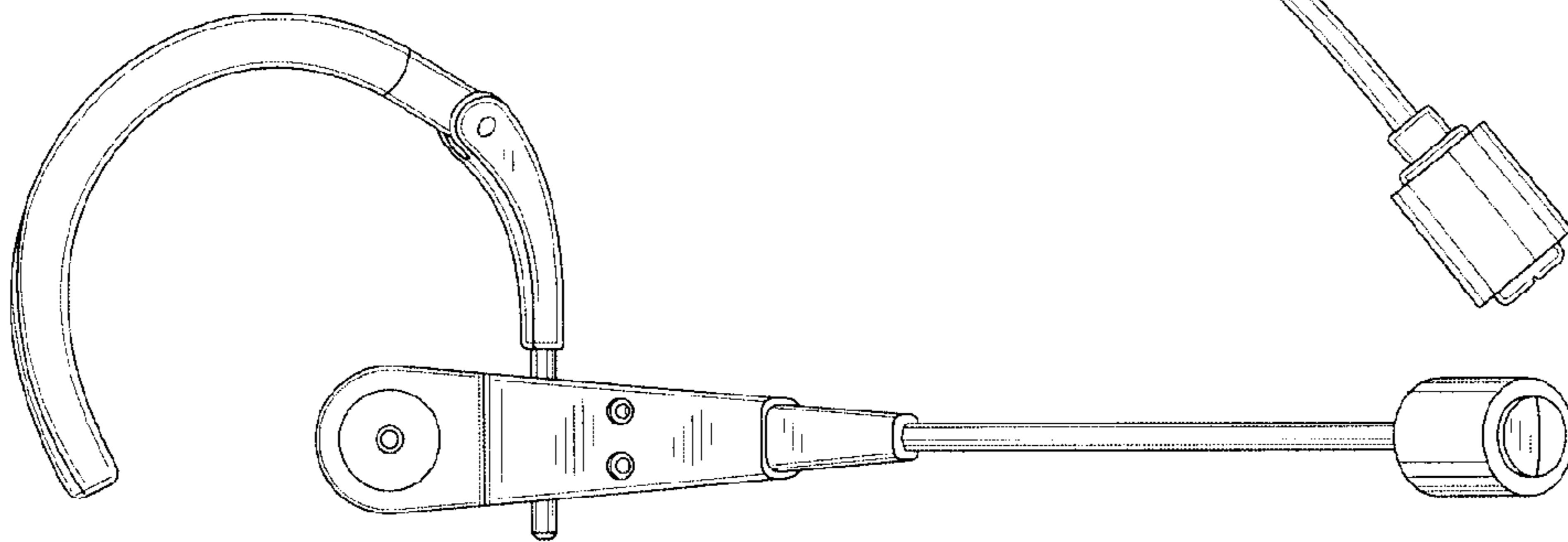


FIG. 5

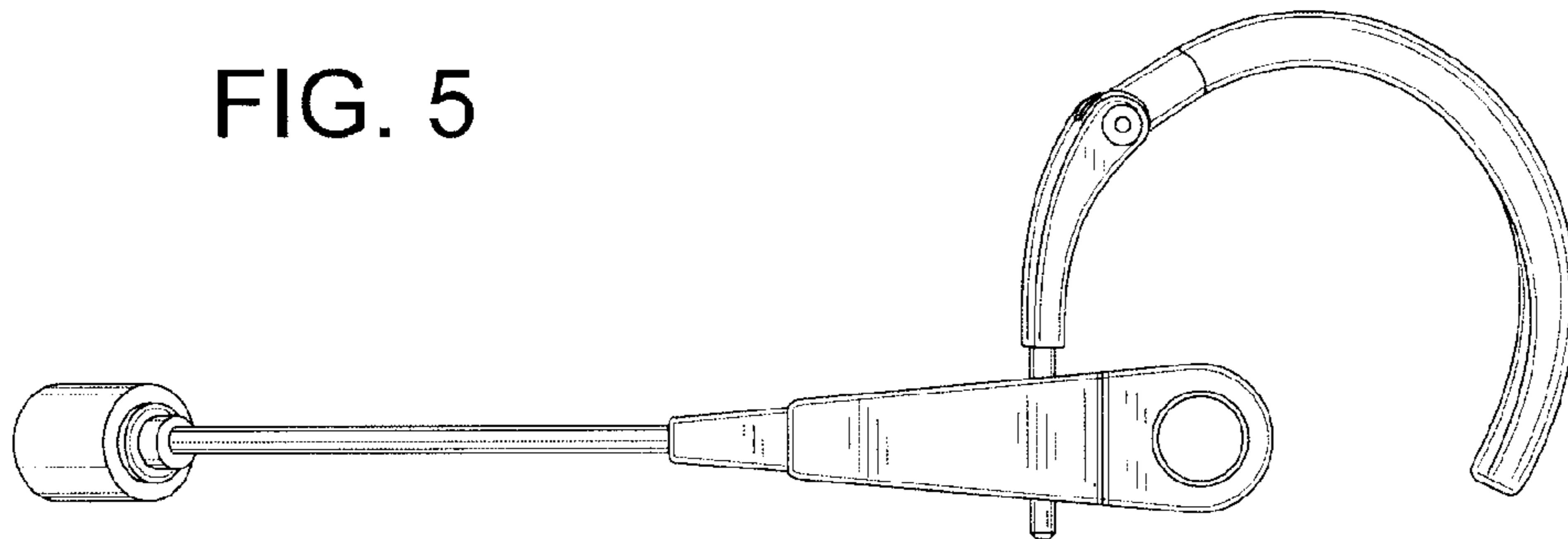


FIG. 6

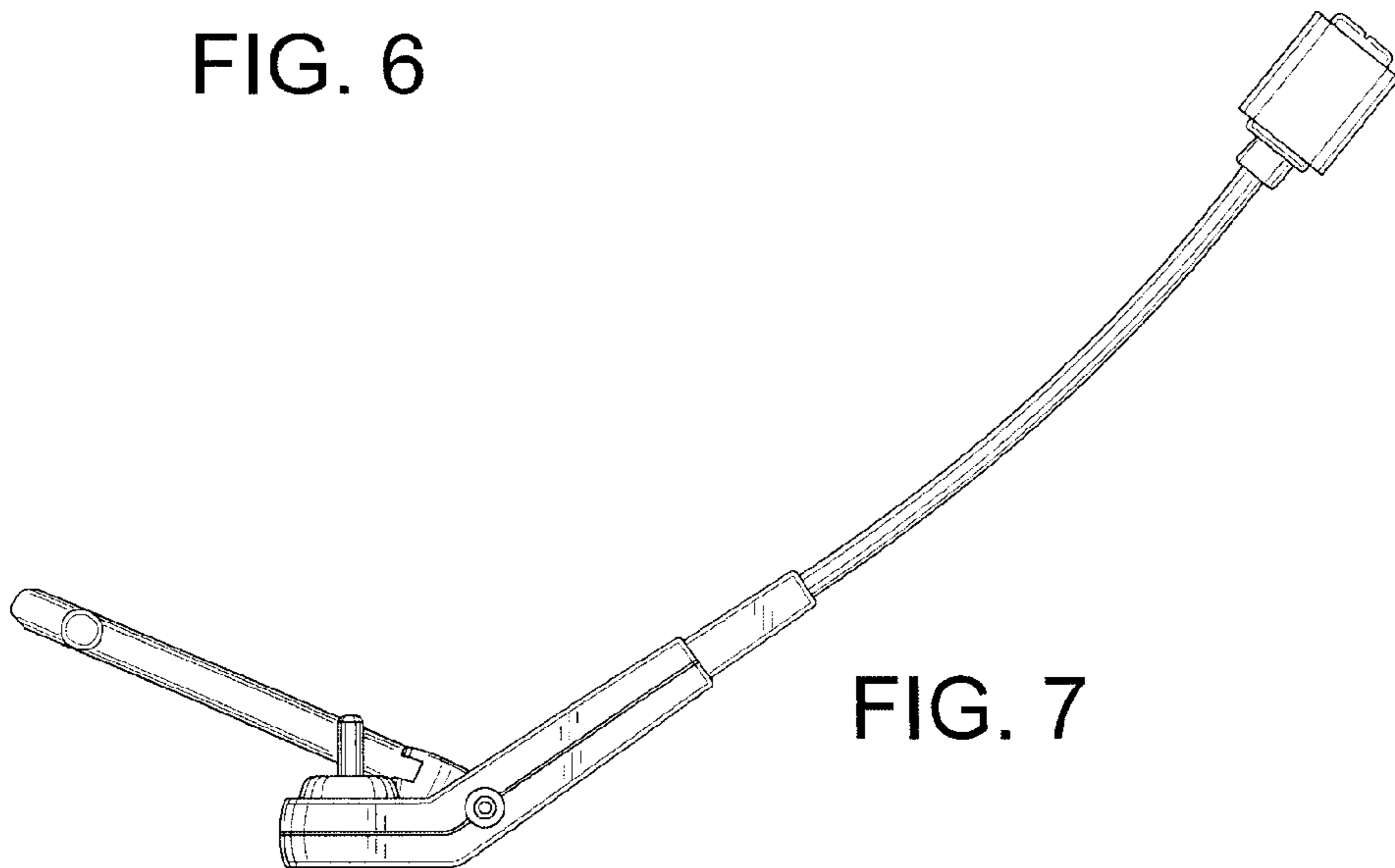


FIG. 7