



US00D533863S

(12) **United States Design Patent**
Yamaji

(10) **Patent No.:** **US D533,863 S**

(45) **Date of Patent:** **** Dec. 19, 2006**

(54) **IC RECORDER**

(75) Inventor: **Yasufumi Yamaji**, Tokyo (JP)

(73) Assignee: **Sony Corporation**, Tokyo (JP)

(**) Term: **14 Years**

(21) Appl. No.: **29/256,600**

(22) Filed: **Mar. 23, 2006**

(30) **Foreign Application Priority Data**

Dec. 21, 2005 (JP) D2005-037514

(51) **LOC (8) Cl.** **14-01**

(52) **U.S. Cl.** **D14/167**

(58) **Field of Classification Search** D14/167,
D14/154, 168, 188, 496, 156, 160, 161, 162,
D14/163, 164, 165, 192; D16/208; D26/38;
455/351, 350

See application file for complete search history.

(56) **References Cited**

U.S. PATENT DOCUMENTS

D294,065 S	*	2/1988	Wan	D26/38
D302,544 S	*	8/1989	Spira	D13/168
D305,540 S	*	1/1990	Kawabe et al.	D14/163
D329,862 S	*	9/1992	Watanabe et al.	D16/208
D388,713 S	*	1/1998	Yuen	D10/5
D472,885 S		4/2003	Kataoka		
D473,207 S	*	4/2003	Tanio	D14/168
D473,535 S		4/2003	Ishii		

D484,482 S	*	12/2003	Tanio	D14/167
D491,914 S	*	6/2004	Lee	D14/188
D493,779 S	*	8/2004	Lee	D14/156
D510,334 S		10/2005	Isono		
D512,403 S	*	12/2005	Yang	D14/156
D512,404 S	*	12/2005	Yang	D14/156

* cited by examiner

Primary Examiner—Cathron C. Brooks

Assistant Examiner—Austin Murphy

(74) *Attorney, Agent, or Firm*—Rader, Fishman & Grauer PLLC

(57) **CLAIM**

The ornamental design for an IC recorder, as shown

DESCRIPTION

FIG. 1 is a perspective view of an IC recorder showing my new design;

FIG. 2 is a front elevational view thereof;

FIG. 3 is a rear elevational view thereof;

FIG. 4 is a left side elevational view thereof;

FIG. 5 is a right side elevational view thereof;

FIG. 6 is a top plan view thereof; and,

FIG. 7 is a bottom plan view thereof.

All of the material from the Japanese Design Application No. 2005-037514, filed on Dec. 21, 2005 which is essential to the claimed design is included herein. Any material in the Japanese Design Application which is not present herein forms no part of the claimed design.

1 Claim, 7 Drawing Sheets

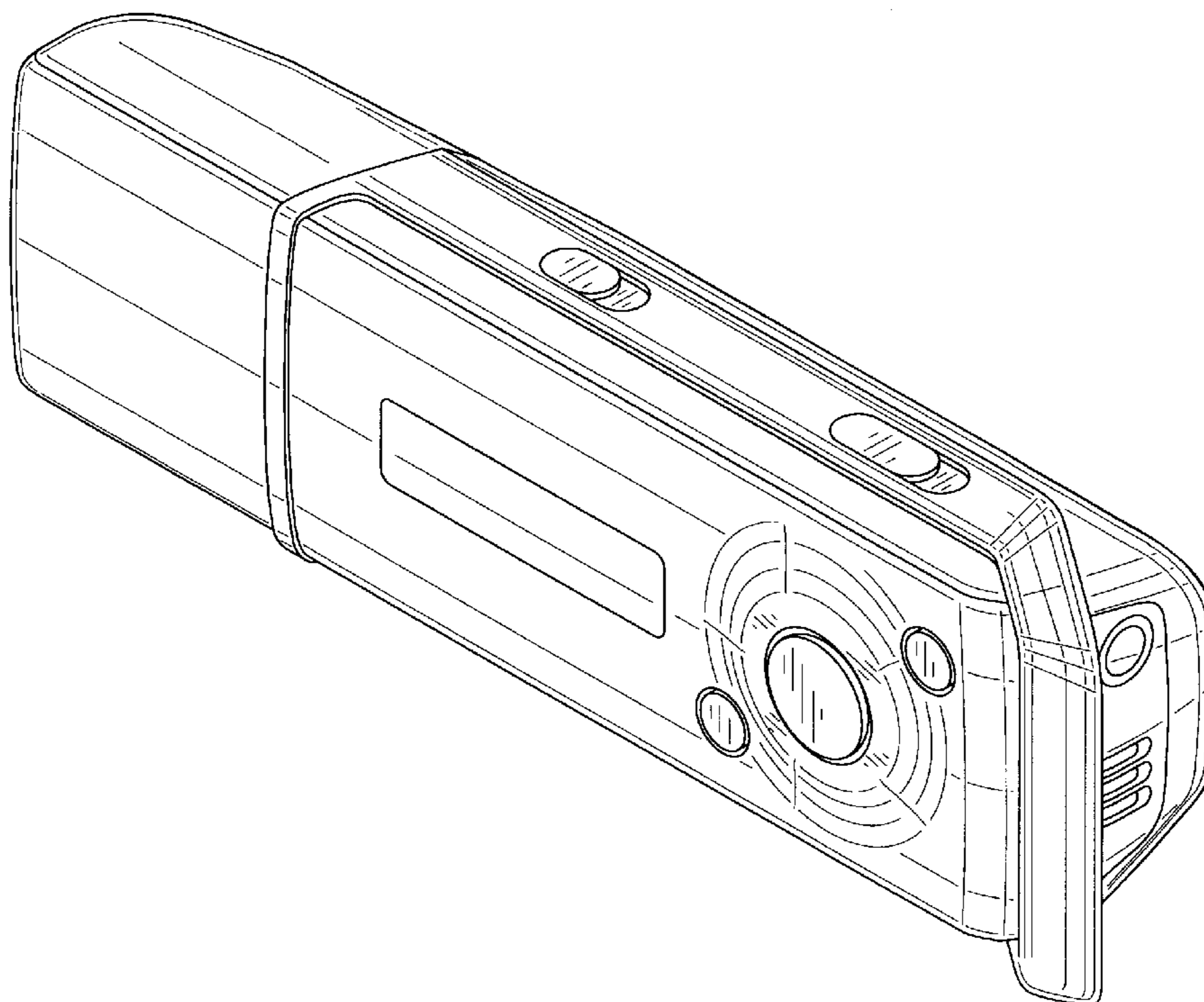


Fig. 1

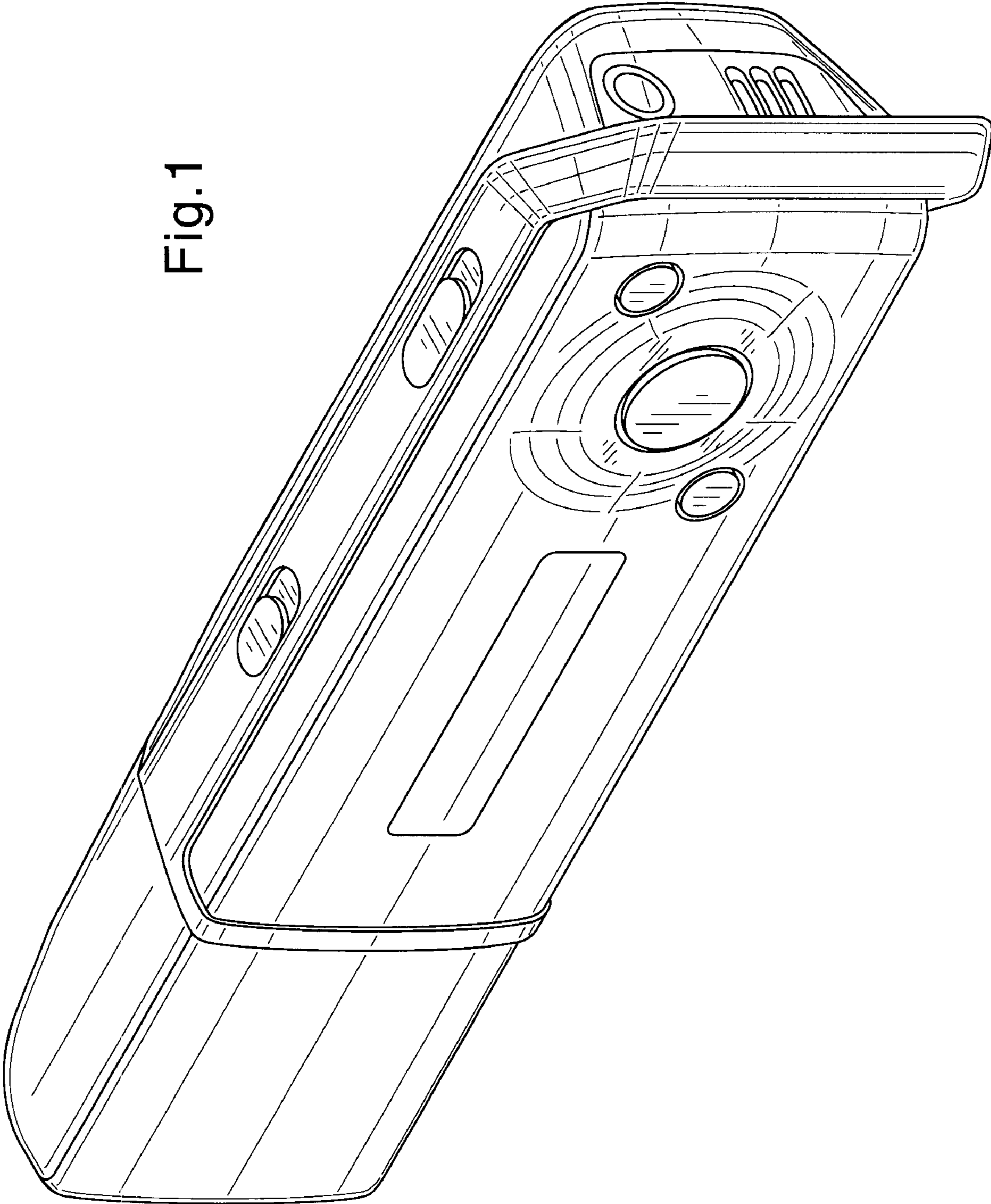


Fig.2

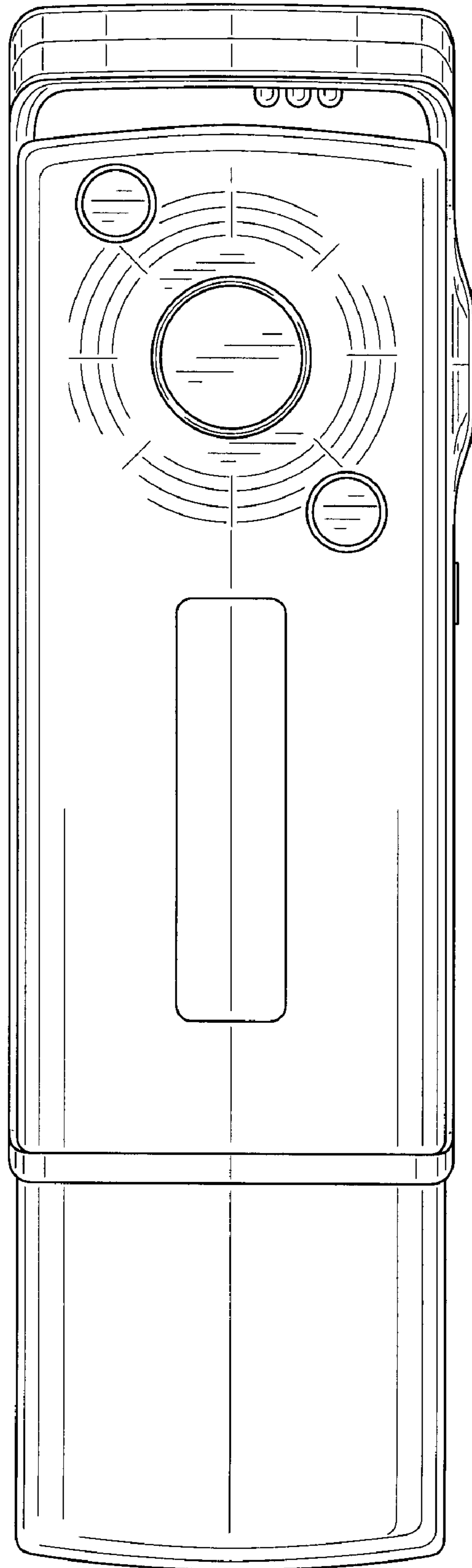


Fig. 3

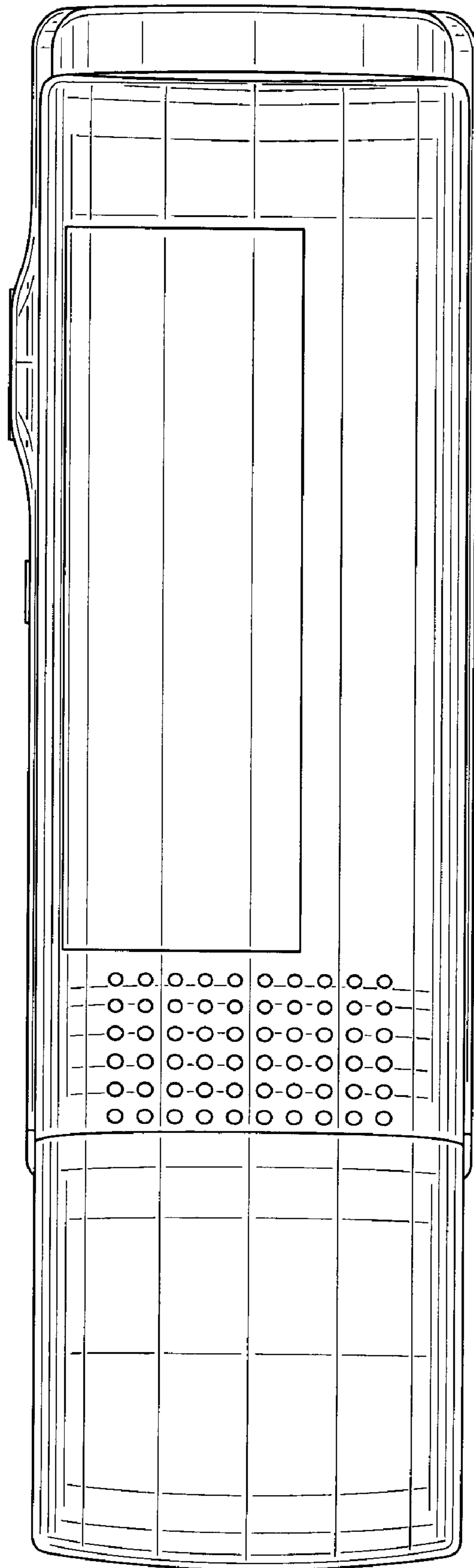


Fig.4

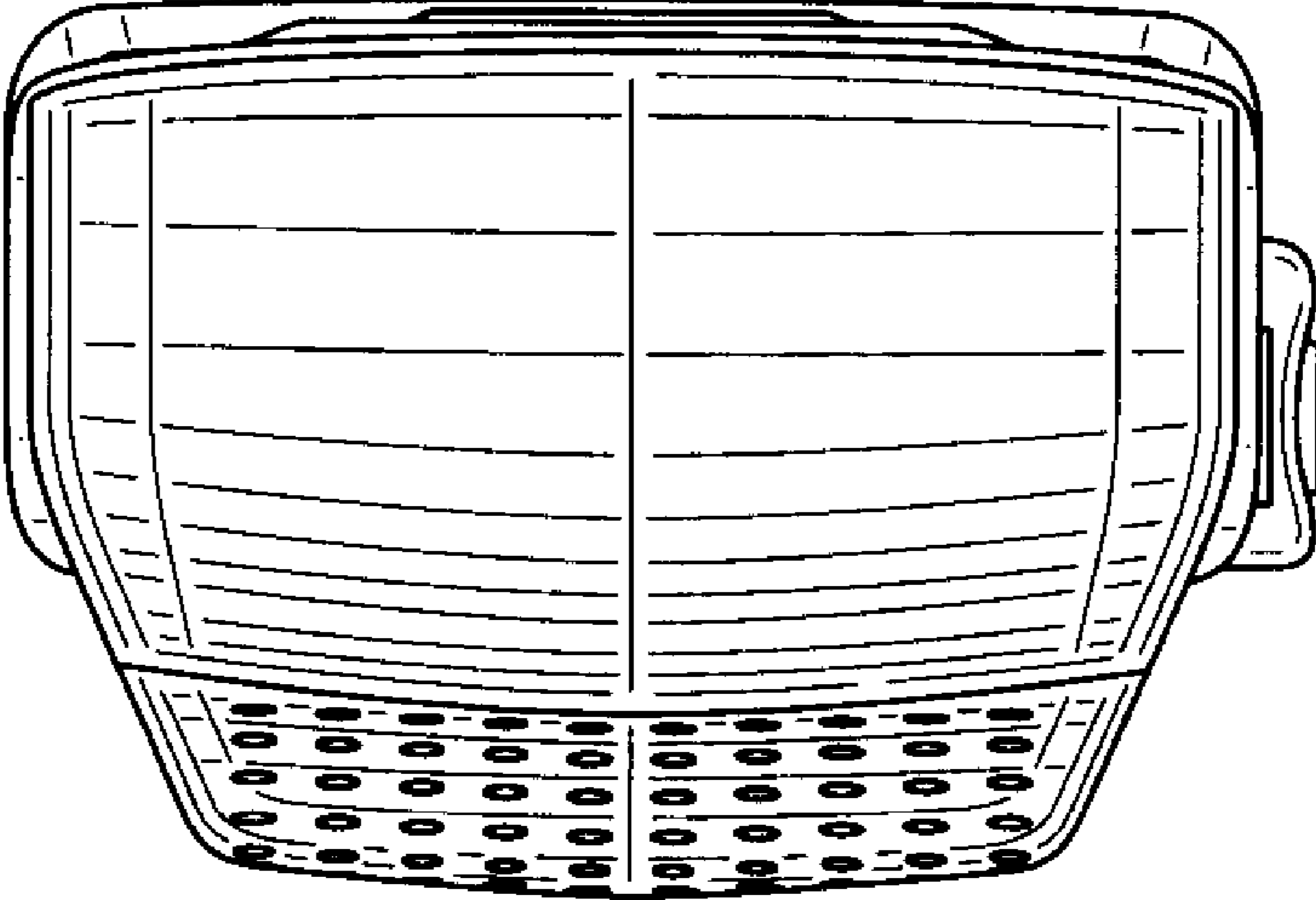


Fig. 5

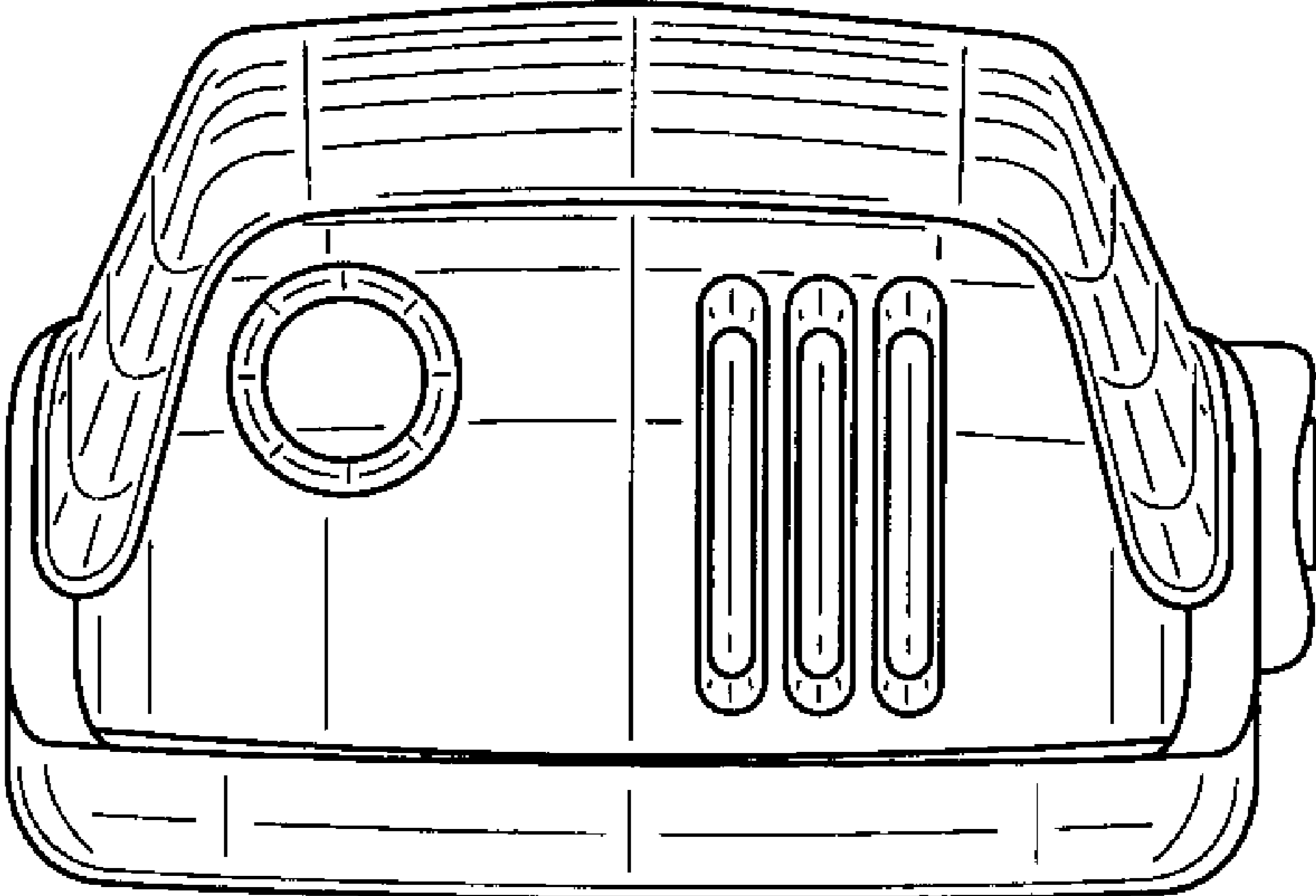


Fig.6

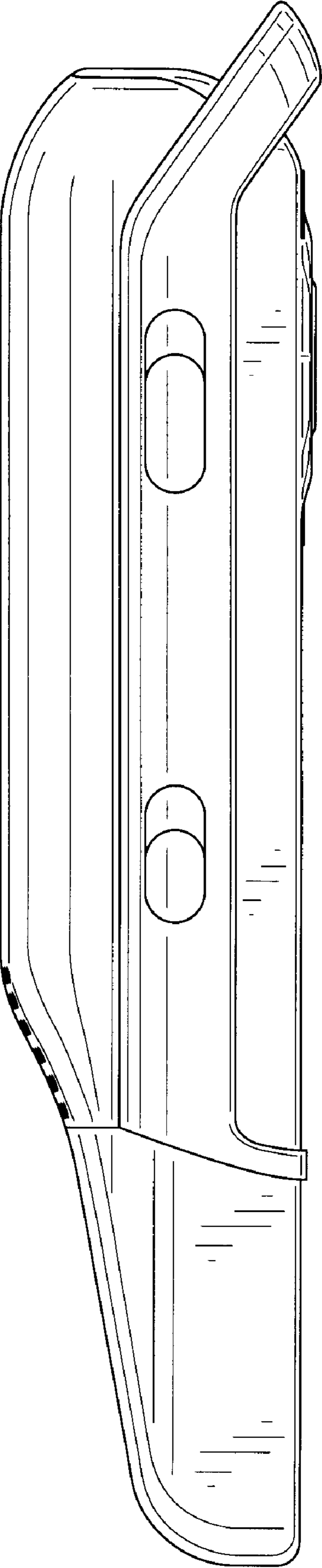


Fig. 7

