



US00D533862S

(12) **United States Design Patent**
Jinde

(10) **Patent No.:** **US D533,862 S**

(45) **Date of Patent:** **** Dec. 19, 2006**

(54) **VOICE RECORDING/REPRODUCING APPARATUS**

(75) Inventor: **Masaru Jinde**, Sagamihara (JP)

(73) Assignee: **Olympus Imaging Corporation**, Tokyo (JP)

(**) Term: **14 Years**

(21) Appl. No.: **29/239,765**

(22) Filed: **Oct. 4, 2005**

(30) **Foreign Application Priority Data**

May 10, 2005 (JP) 2005-013351

(51) **LOC (8) Cl.** **14-01**

(52) **U.S. Cl.** **D14/167**

(58) **Field of Classification Search** D14/167,
D14/154, 168, 188, 496, 156, 160, 161, 162,
D14/163, 164, 165, 192; D16/208; D26/38;
455/351, 350

See application file for complete search history.

(56) **References Cited**

U.S. PATENT DOCUMENTS

D278,899 S * 5/1985 Takata D14/165
D298,238 S * 10/1988 Takata et al. D14/165
D369,306 S * 4/1996 Fisher D10/78
D372,476 S * 8/1996 Shigeri D14/165
D376,989 S * 12/1996 McCain D10/78

D419,464 S * 1/2000 Chang D10/78
D430,134 S * 8/2000 Obata et al. D14/165
D438,857 S * 3/2001 Ishii D14/161
D450,309 S * 11/2001 Ishii et al. D14/167
D484,482 S * 12/2003 Tanio D14/167
6,769,603 B1 * 8/2004 Nagai et al. 235/375
D507,557 S * 7/2005 Meguro D14/167
D517,522 S * 3/2006 Tajima D14/167

* cited by examiner

Primary Examiner—Cathron C. Brooks

Assistant Examiner—Austin Murphy

(74) *Attorney, Agent, or Firm*—Hogan & Hartson LLP

(57) **CLAIM**

The ornamental design for a voice recording/reproducing apparatus, as shown and described.

DESCRIPTION

FIG. 1 is a front, top and right side perspective view of a voice recording/reproducing apparatus showing my new design;

FIG. 2 is a rear, bottom and right side perspective view thereof;

FIG. 3 is a front elevational view thereof;

FIG. 4 is a rear elevational view thereof;

FIG. 5 is a top plan view thereof;

FIG. 6 is a bottom plan view thereof;

FIG. 7 is a right side elevational view thereof; and,

FIG. 8 is a left side elevational view thereof.

1 Claim, 6 Drawing Sheets

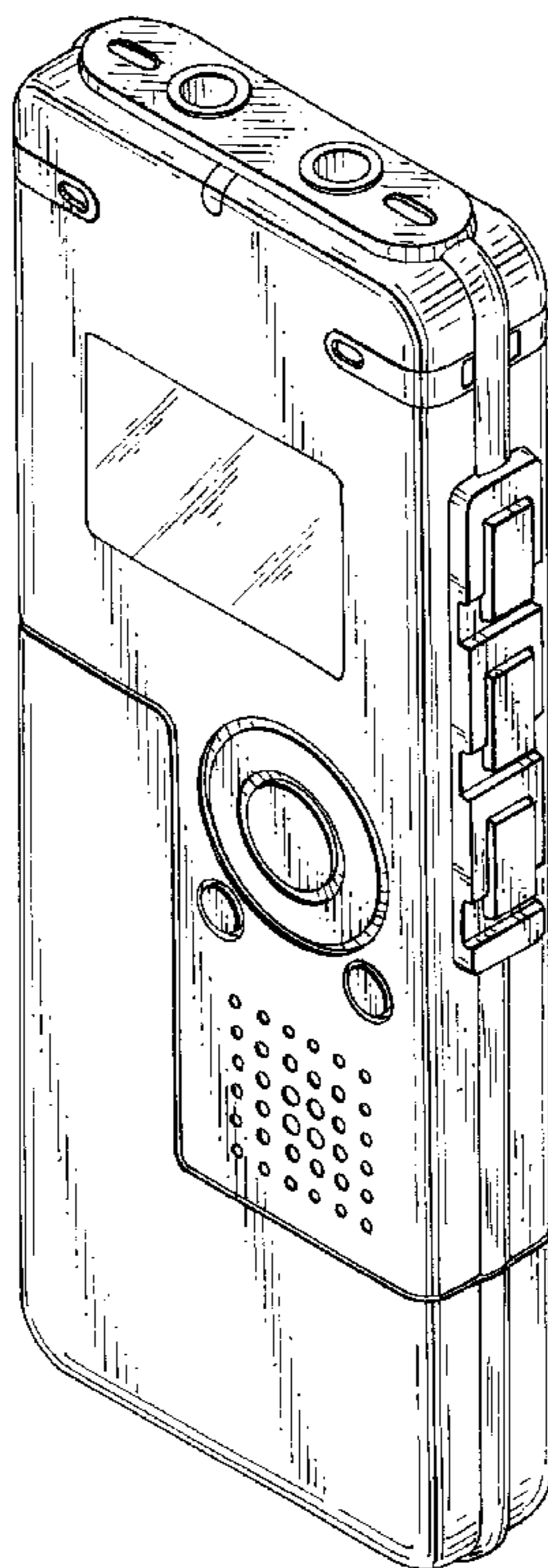


FIG. 1

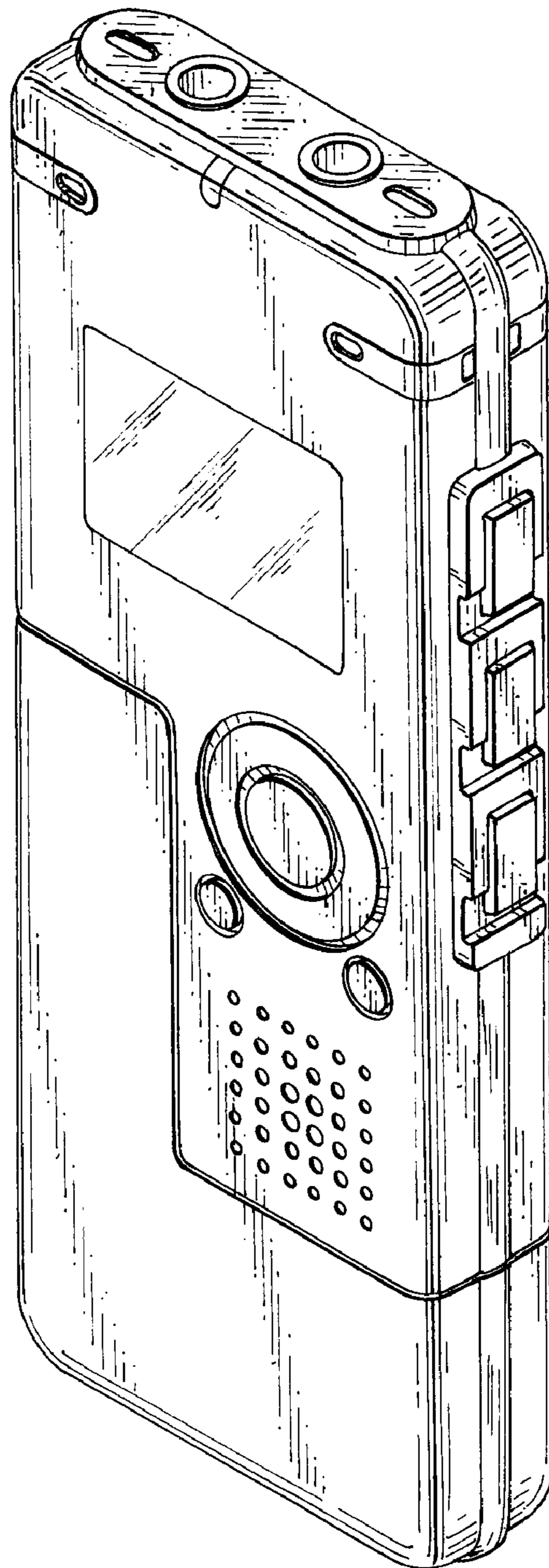


FIG.2

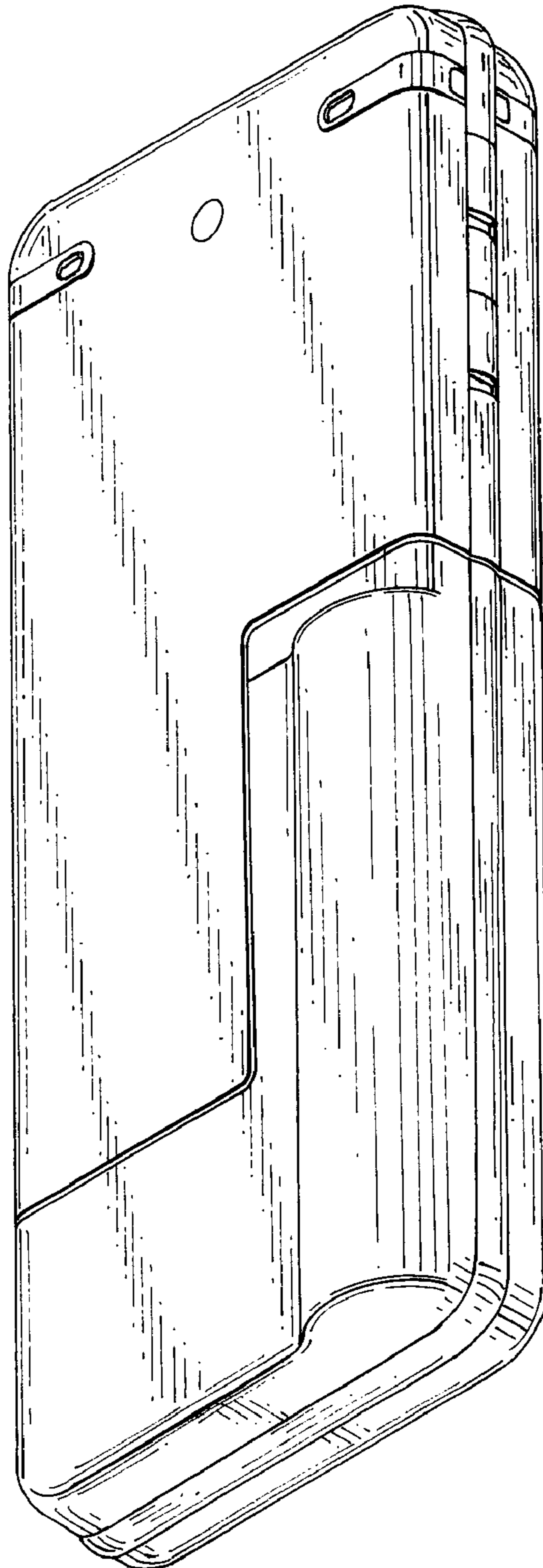


FIG.3

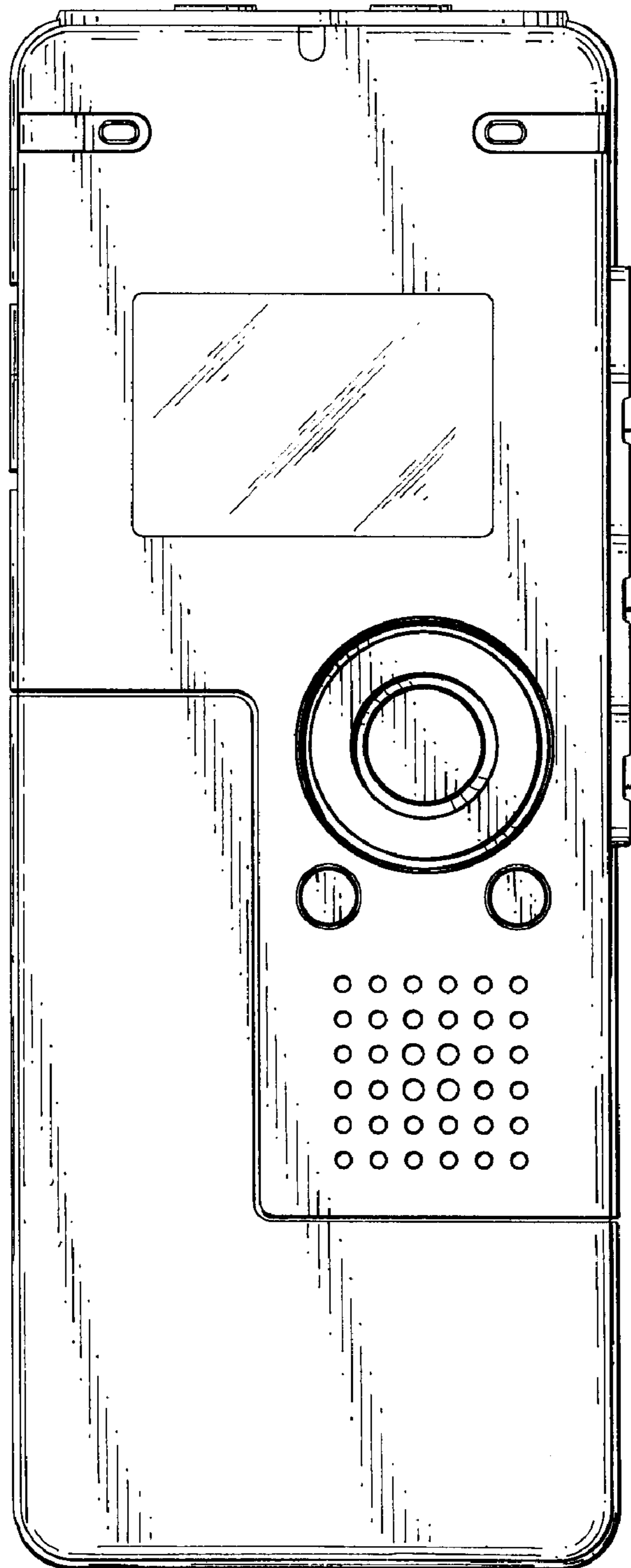


FIG.4

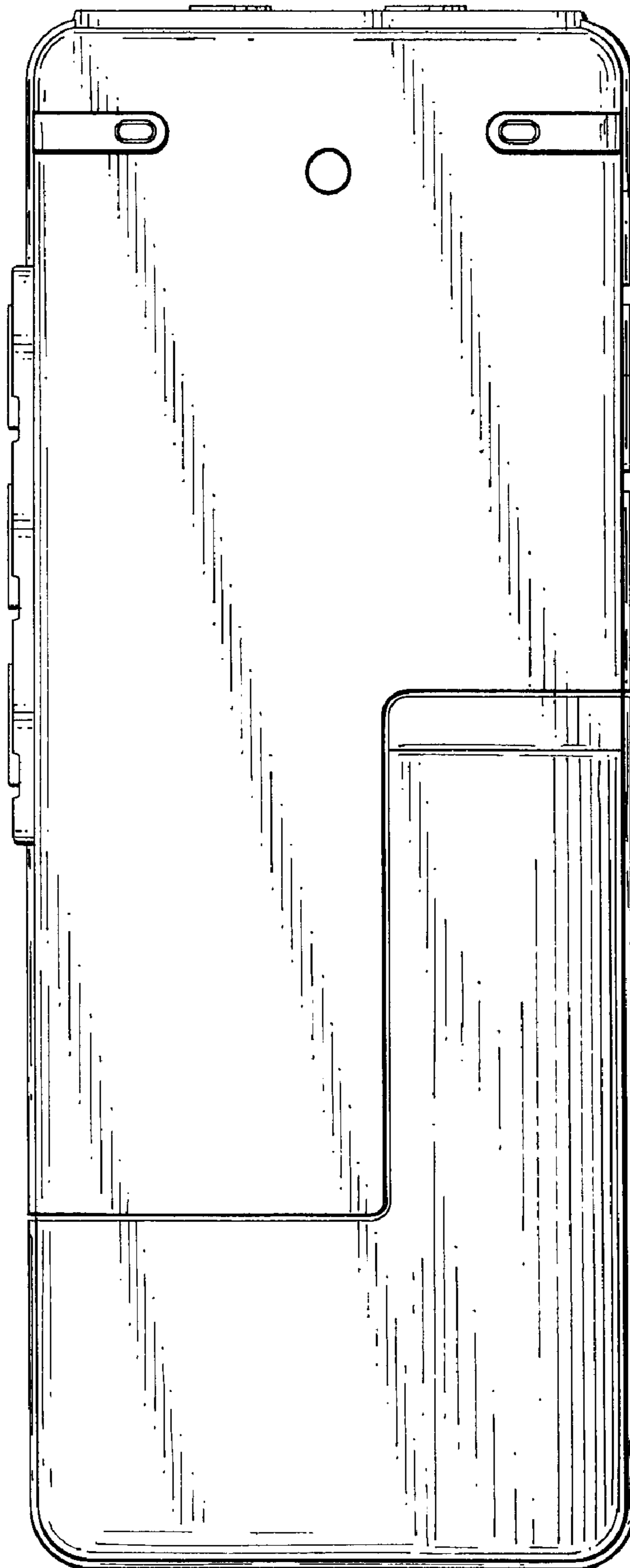


FIG.5

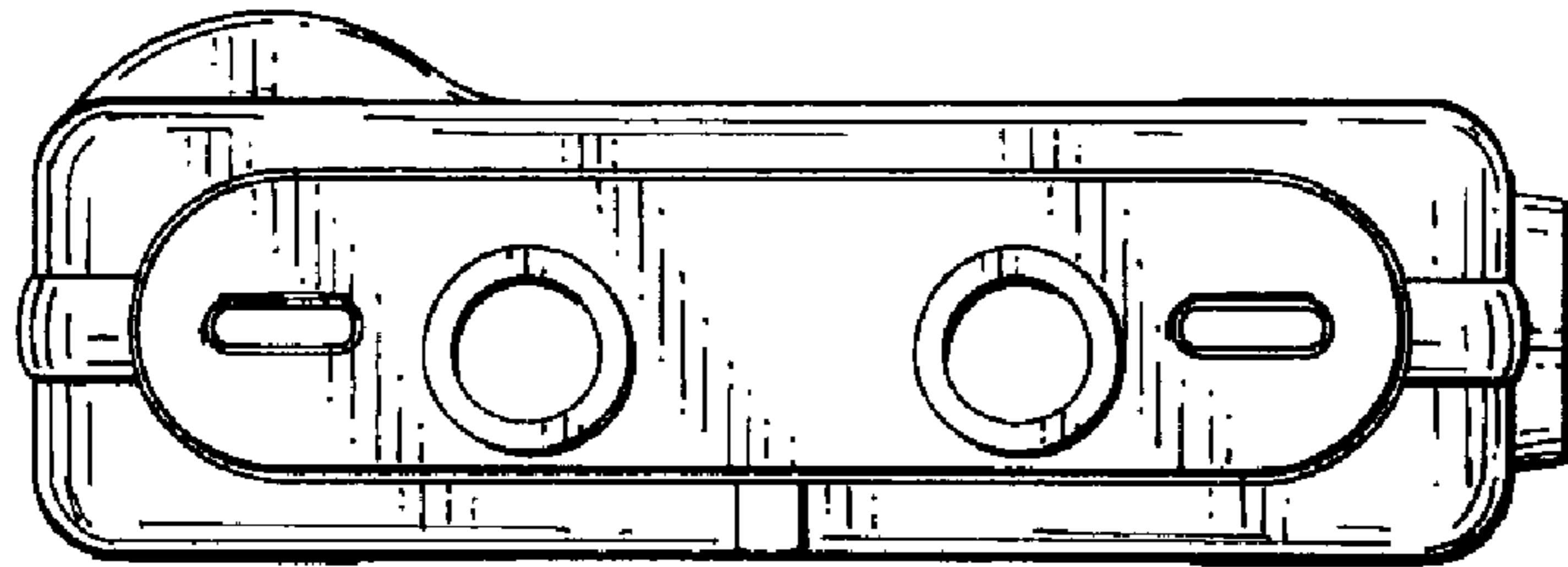


FIG.6

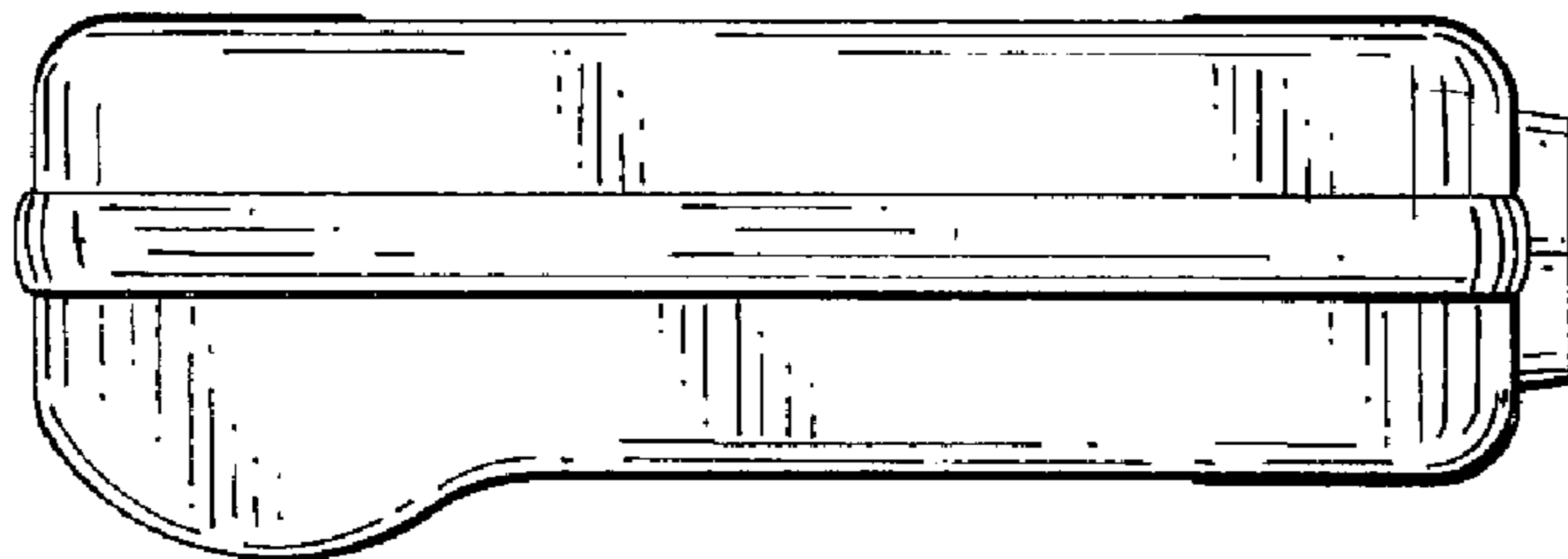


FIG.7

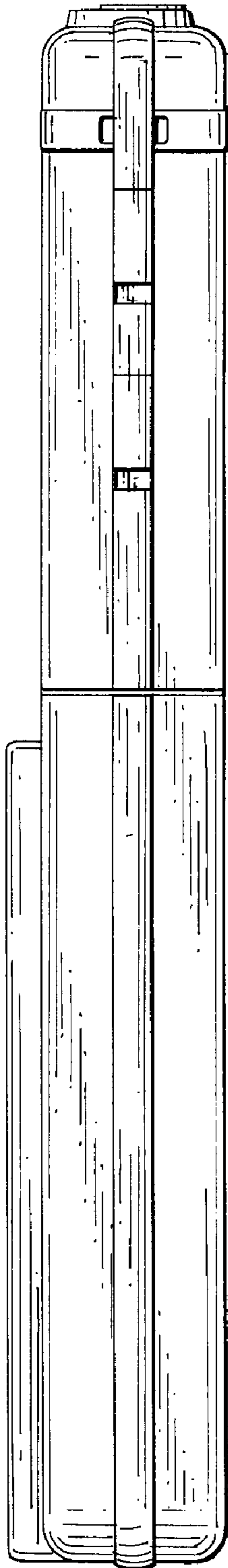


FIG.8

